



US00D604880S

(12) **United States Design Patent**
Lovegrove

(10) **Patent No.:** **US D604,880 S**

(45) **Date of Patent:** **** Nov. 24, 2009**

(54) **SPOTLIGHT**

(75) Inventor: **Ross Lovegrove**, London (GB)

(73) Assignee: **Yamagiwa Corporation**, Tokyo (JP)

(**) Term: **14 Years**

(21) Appl. No.: **29/268,655**

(22) Filed: **Nov. 10, 2006**

(30) **Foreign Application Priority Data**

May 12, 2006 (JP) 2006-012053

(51) **LOC (9) Cl.** **26-05**

(52) **U.S. Cl.** **D26/63**

(58) **Field of Classification Search** D26/61-65,
D26/107; 362/269, 275, 285, 371, 410, 418,
362/419, 427, 648

See application file for complete search history.

(56) **References Cited**

U.S. PATENT DOCUMENTS

- 2,422,311 A * 6/1947 Nemeth D26/61
- 2,511,937 A * 6/1950 Natale 362/267
- D225,261 S * 11/1972 Houplain D26/65
- D263,000 S * 2/1982 Heritage et al. D26/63
- D288,135 S * 2/1987 Donato D26/63
- D325,789 S * 4/1992 Atkinson D26/63

- D389,935 S * 1/1998 Pink D26/68
- D395,140 S * 6/1998 O'Rourke D26/63
- D399,583 S * 10/1998 Giese et al. D26/63
- D476,439 S * 6/2003 O'Rourke D26/63
- D482,476 S * 11/2003 Kwong D26/63
- D589,637 S * 3/2009 Sabernig D26/63

* cited by examiner

Primary Examiner—Clare E Heflin

(74) *Attorney, Agent, or Firm*—Lackenbach Siegel, LLP;
Andrew F. Young

(57) **CLAIM**

The ornamental design for a spotlight, as shown and described.

DESCRIPTION

FIG. 1 is a perspective view of a spotlight.

FIG. 2 is a front elevation view thereof.

FIG. 3 is a rear elevation view thereof.

FIG. 4 is a top plan view thereof.

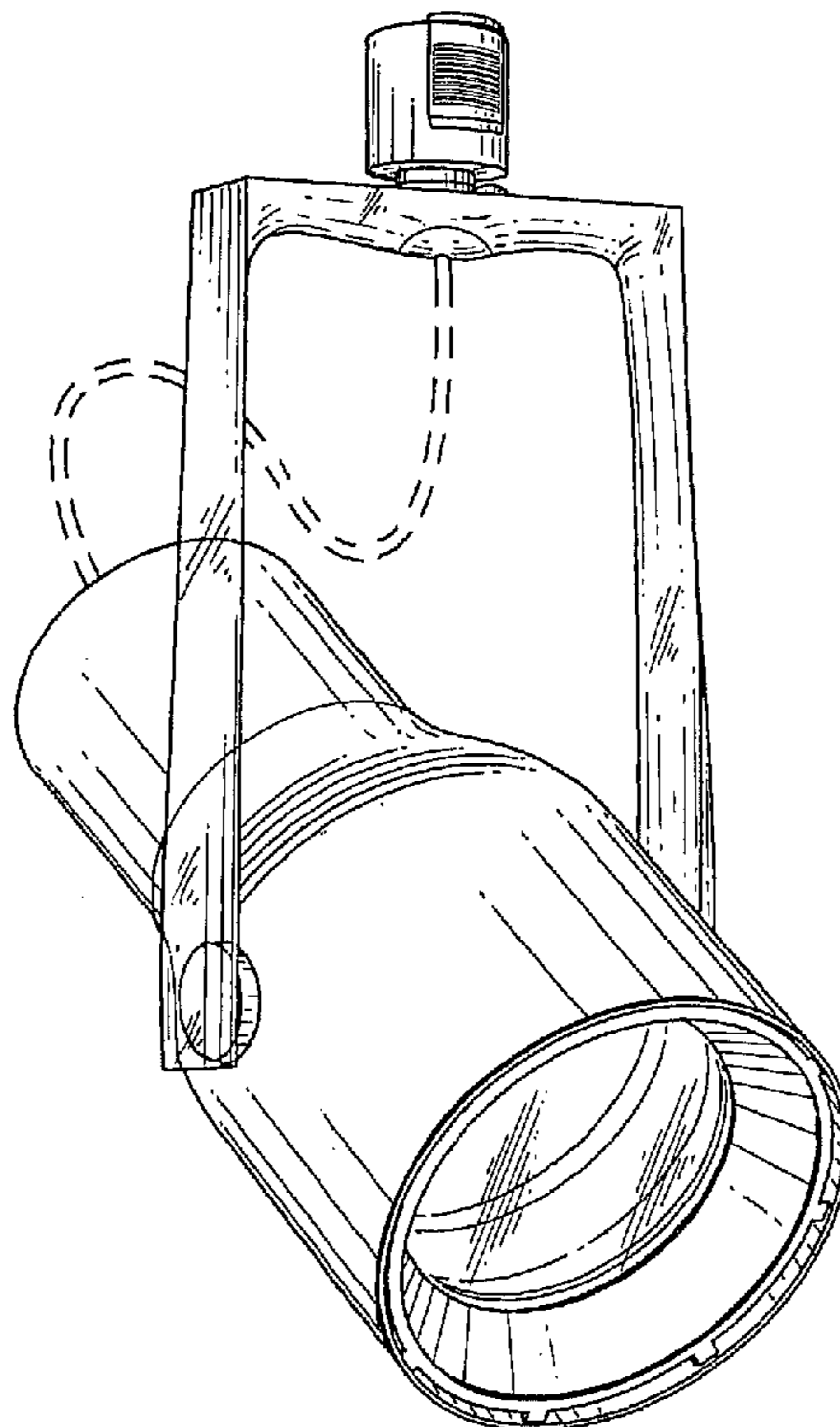
FIG. 5 is a bottom plan view thereof.

FIG. 6 is a right side elevation view thereof; and,

FIG. 7 is a left side elevation view thereof.

The broken lines are for illustrative purposes only and form no part of the claimed design.

1 Claim, 7 Drawing Sheets



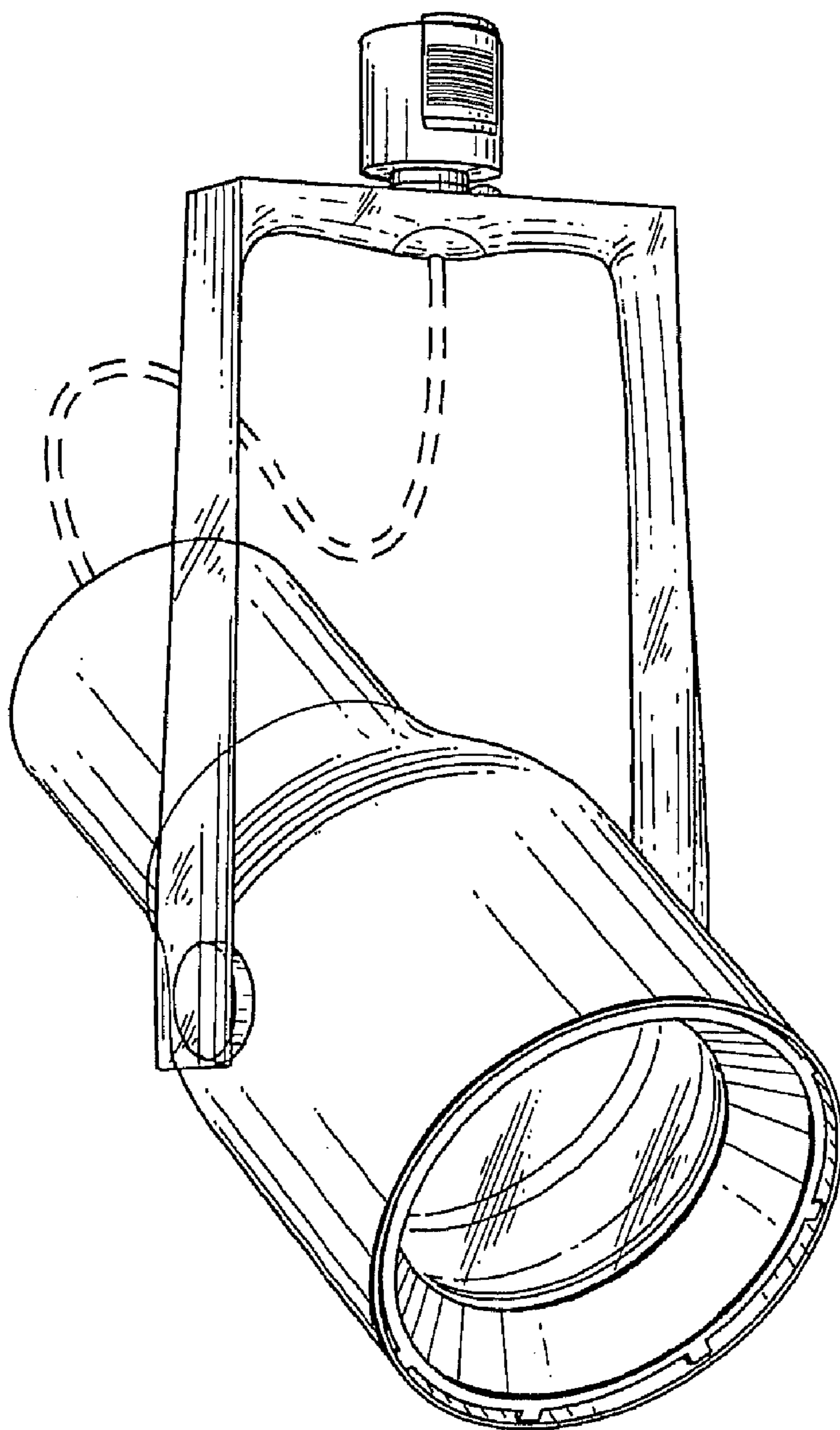


FIG. 1

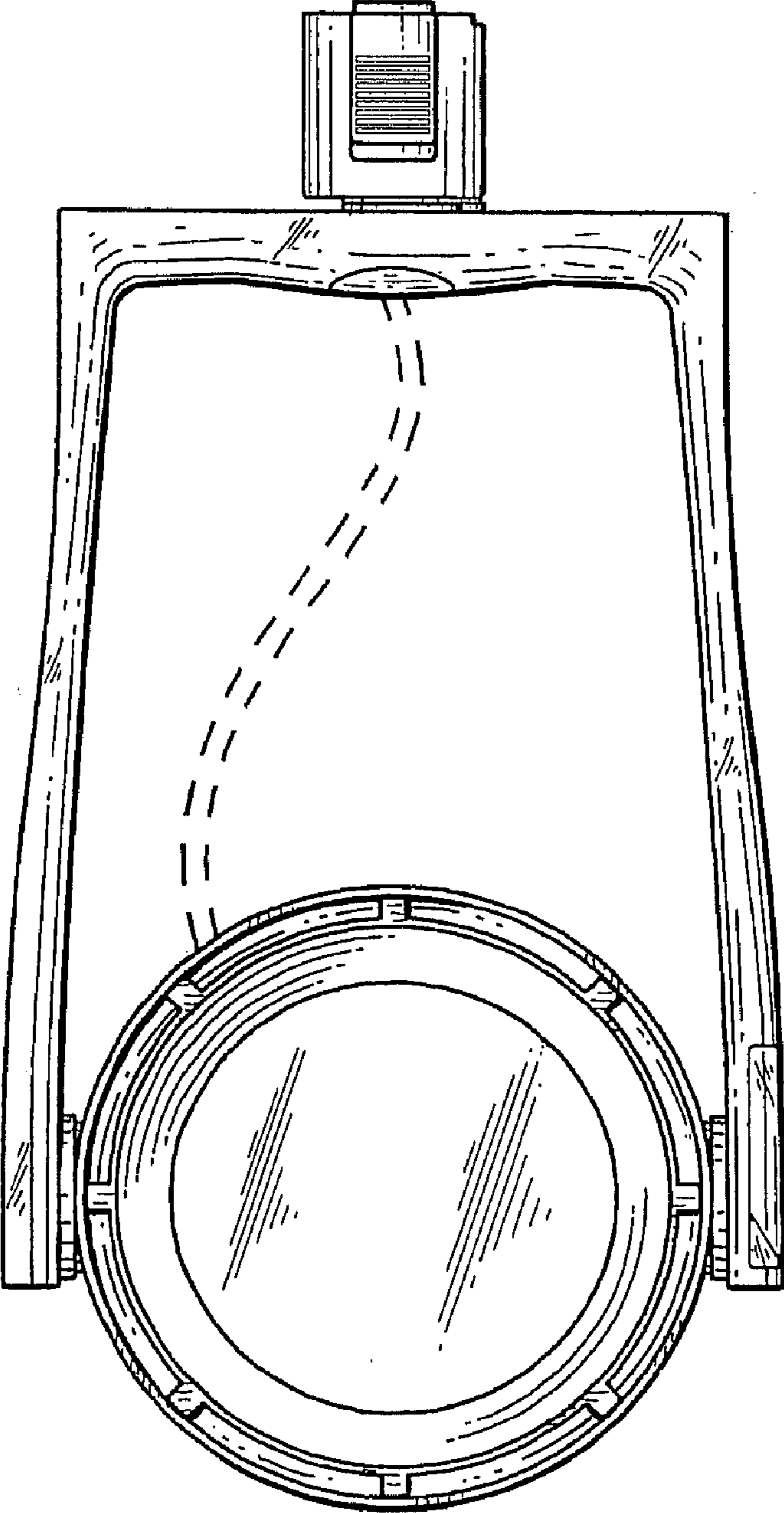


FIG. 2

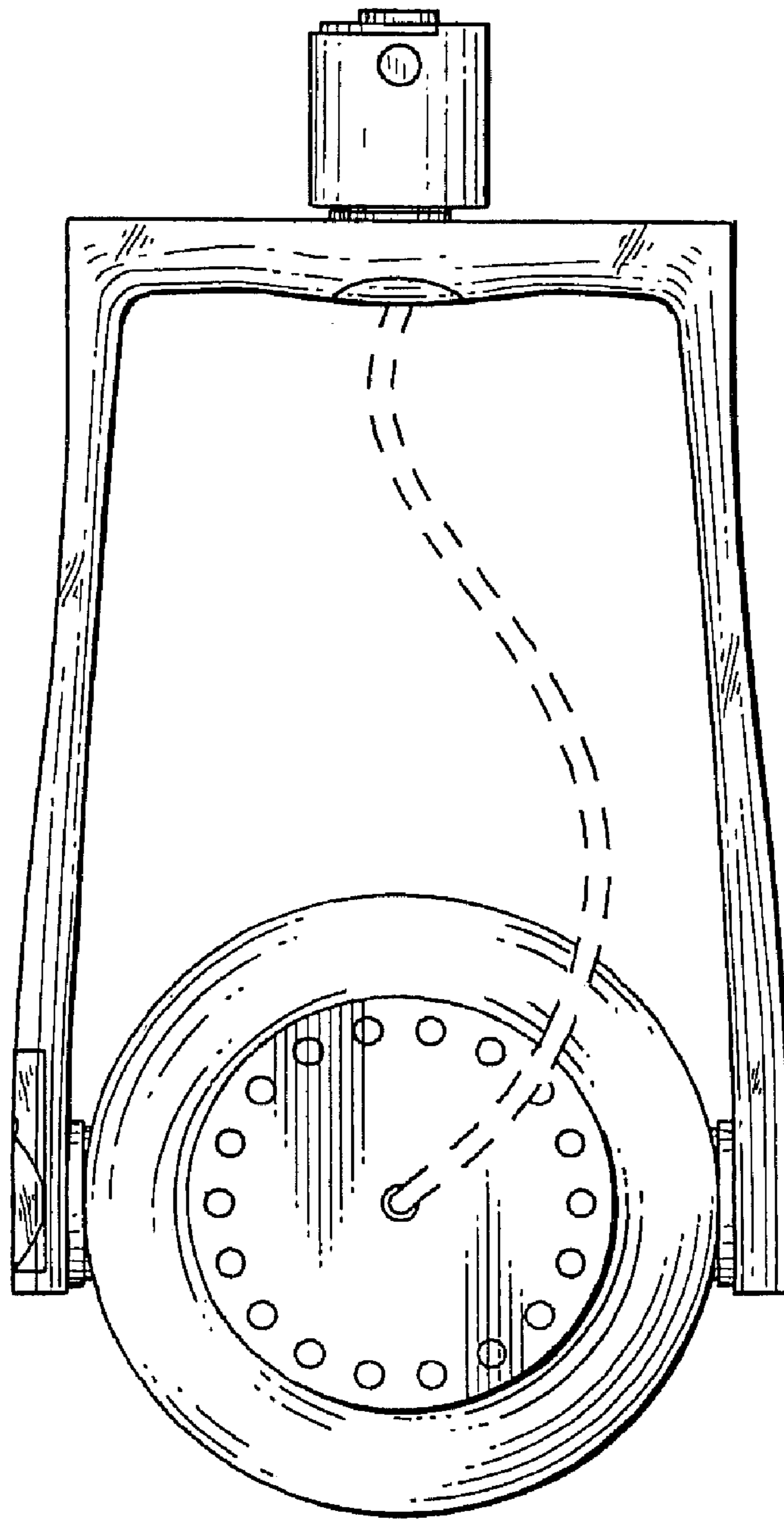


FIG. 3

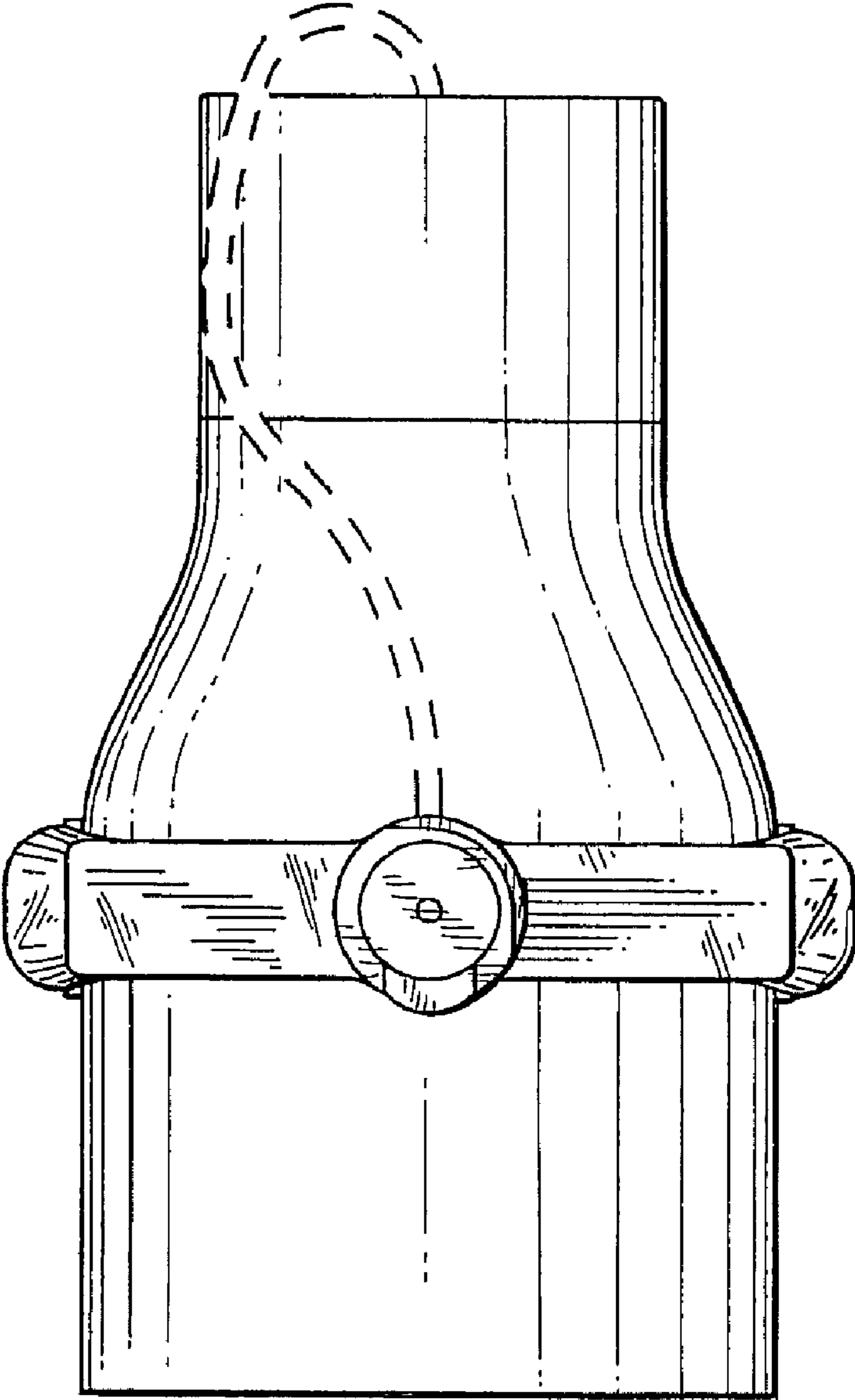


FIG. 4

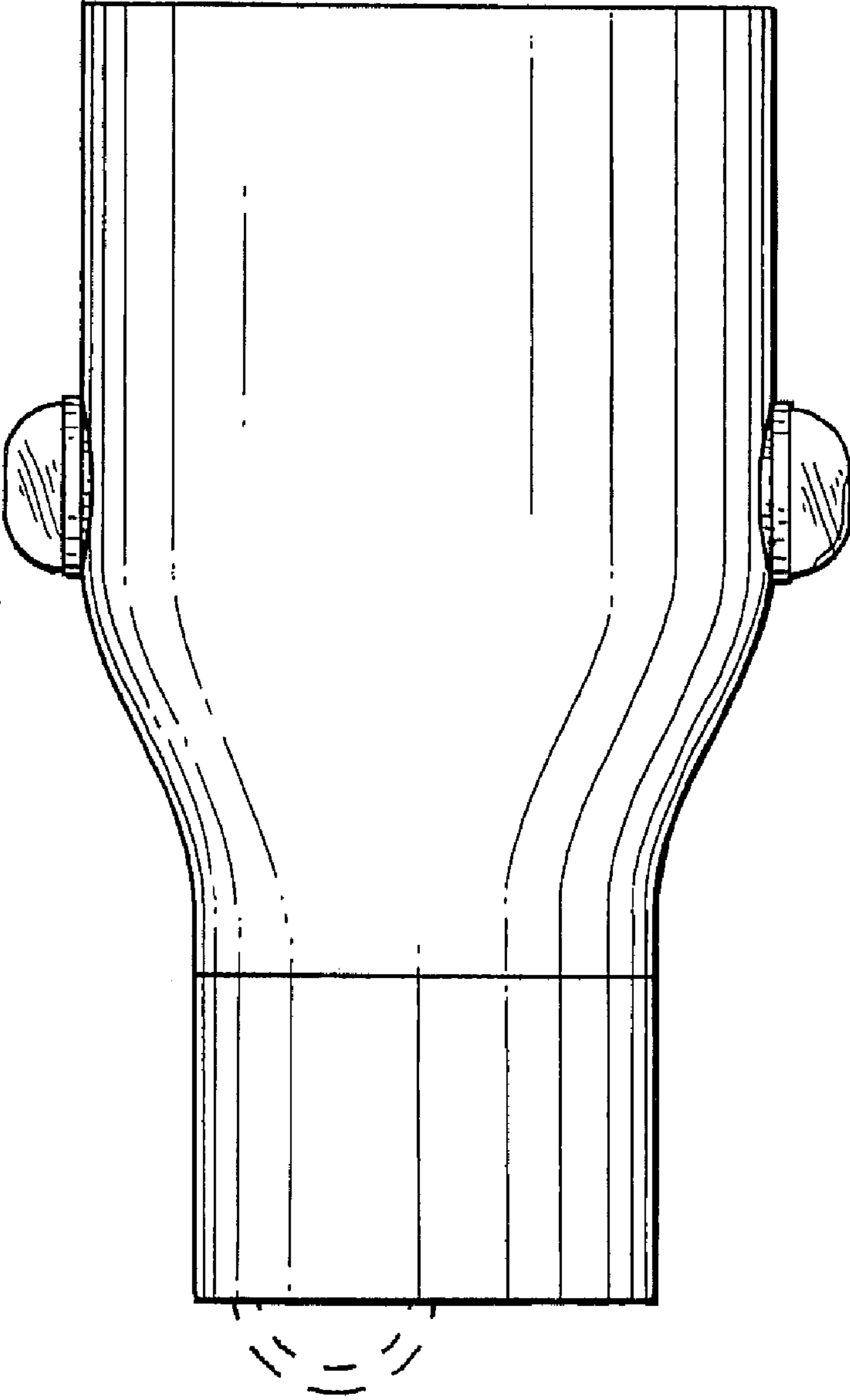


FIG. 5

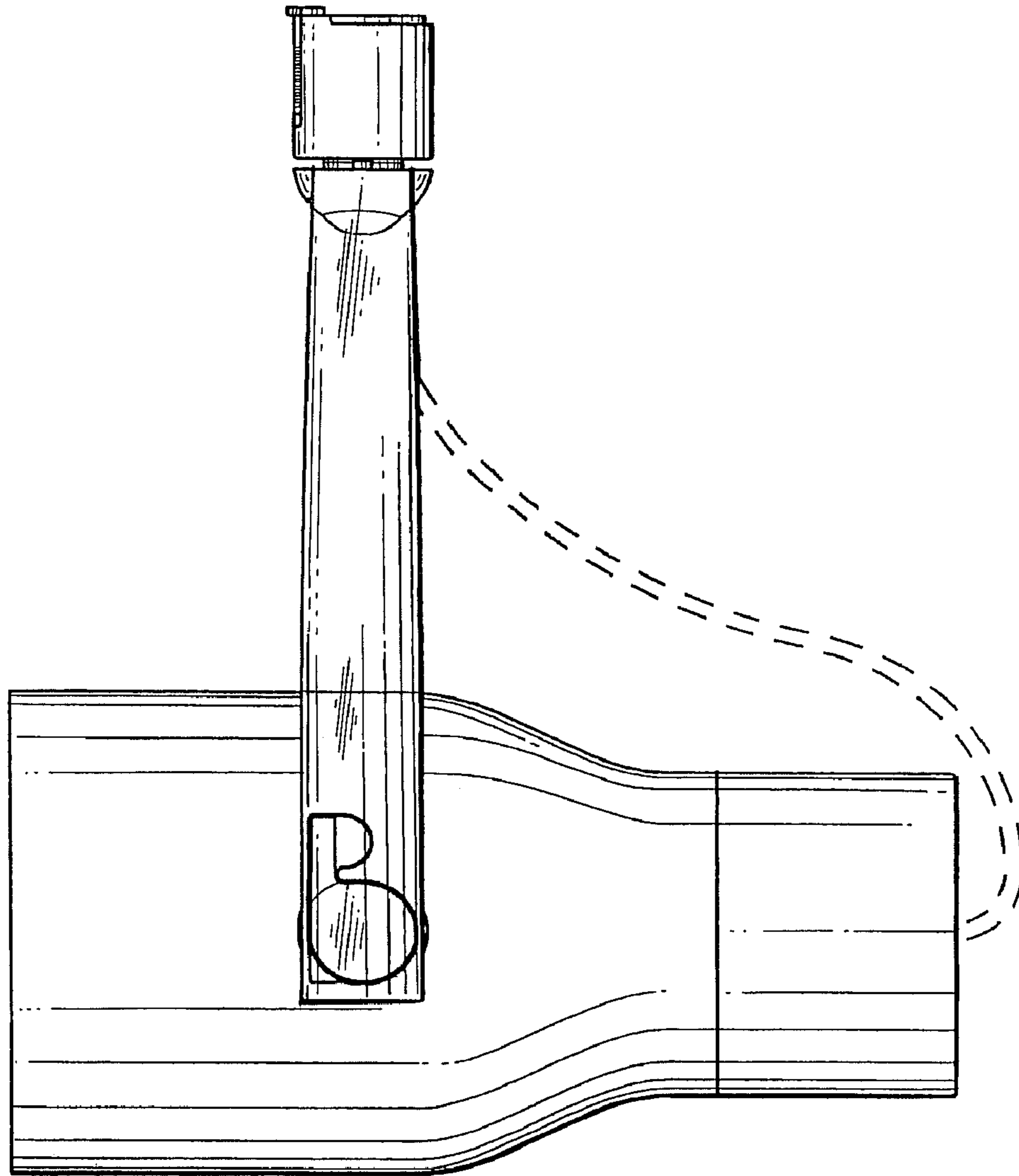


FIG. 6

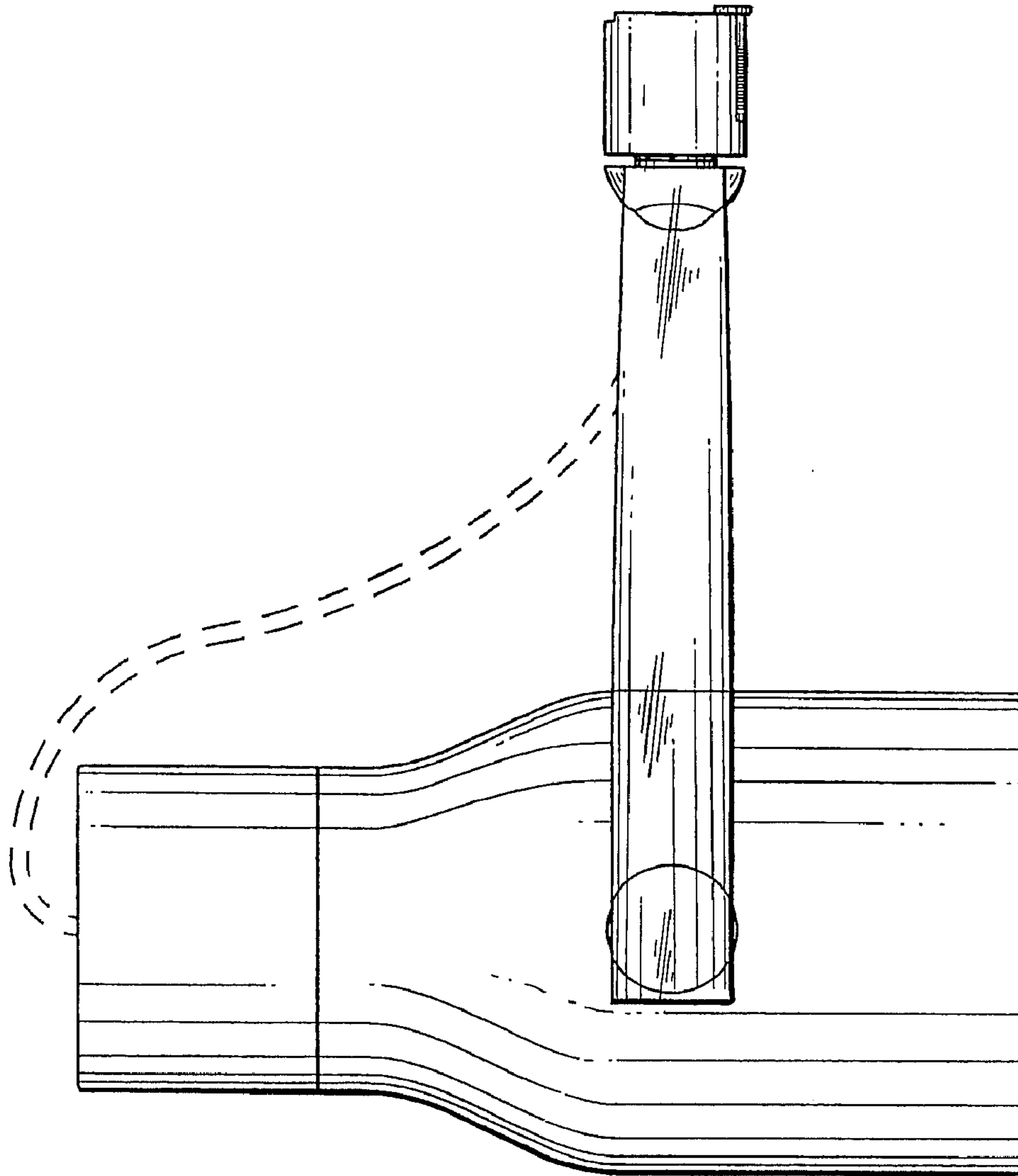


FIG. 7