

US00D604878S

(12) **United States Design Patent**
Kung

(10) **Patent No.:** **US D604,878 S**

(45) **Date of Patent:** **** Nov. 24, 2009**

(54) **LAMP UNIT**

(75) Inventor: **Kenneth Kung**, Columbus, OH (US)

(73) Assignee: **Dorcy International Inc.**, Columbus

(**) Term: **14 Years**

(21) Appl. No.: **29/333,569**

(22) Filed: **Mar. 12, 2009**

(51) **LOC (9) Cl.** **26-02**

(52) **U.S. Cl.** **D26/49**

(58) **Field of Classification Search** D26/37,
D26/46, 49; 362/157, 158, 183, 190-208
See application file for complete search history.

(56) **References Cited**

U.S. PATENT DOCUMENTS

D169,393 S *	4/1953	Rockmore	D26/49
D336,966 S *	6/1993	Yau	D26/49
D344,811 S *	3/1994	Garrity	D26/49
D363,564 S *	10/1995	Kish et al.	D26/49
D408,090 S *	4/1999	Monteleone et al.	D26/37
D422,733 S *	4/2000	Kung	D26/49
D433,171 S *	10/2000	Petterson et al.	D26/49
D435,922 S *	1/2001	Shing	D26/49
D439,690 S *	3/2001	Parker	D26/49

D449,394 S *	10/2001	Parker	D26/37
D465,864 S *	11/2002	Shiu	D26/37
D518,216 S *	3/2006	Rugendyke et al.	D26/49
D554,786 S *	11/2007	Rugendyke et al.	D26/49
D560,297 S *	1/2008	Brown et al.	D26/37
D576,756 S *	9/2008	DeBrunner	D26/40

* cited by examiner

Primary Examiner—Ian Simmons
Assistant Examiner—Carissa C Fitts

(57) **CLAIM**

The ornamental design for a lamp unit, as shown.

DESCRIPTION

FIG. 1 is a front elevational view of a lamp unit showing my new design;

FIG. 2 is a rear elevational view thereof;

FIG. 3 is a left side view thereof;

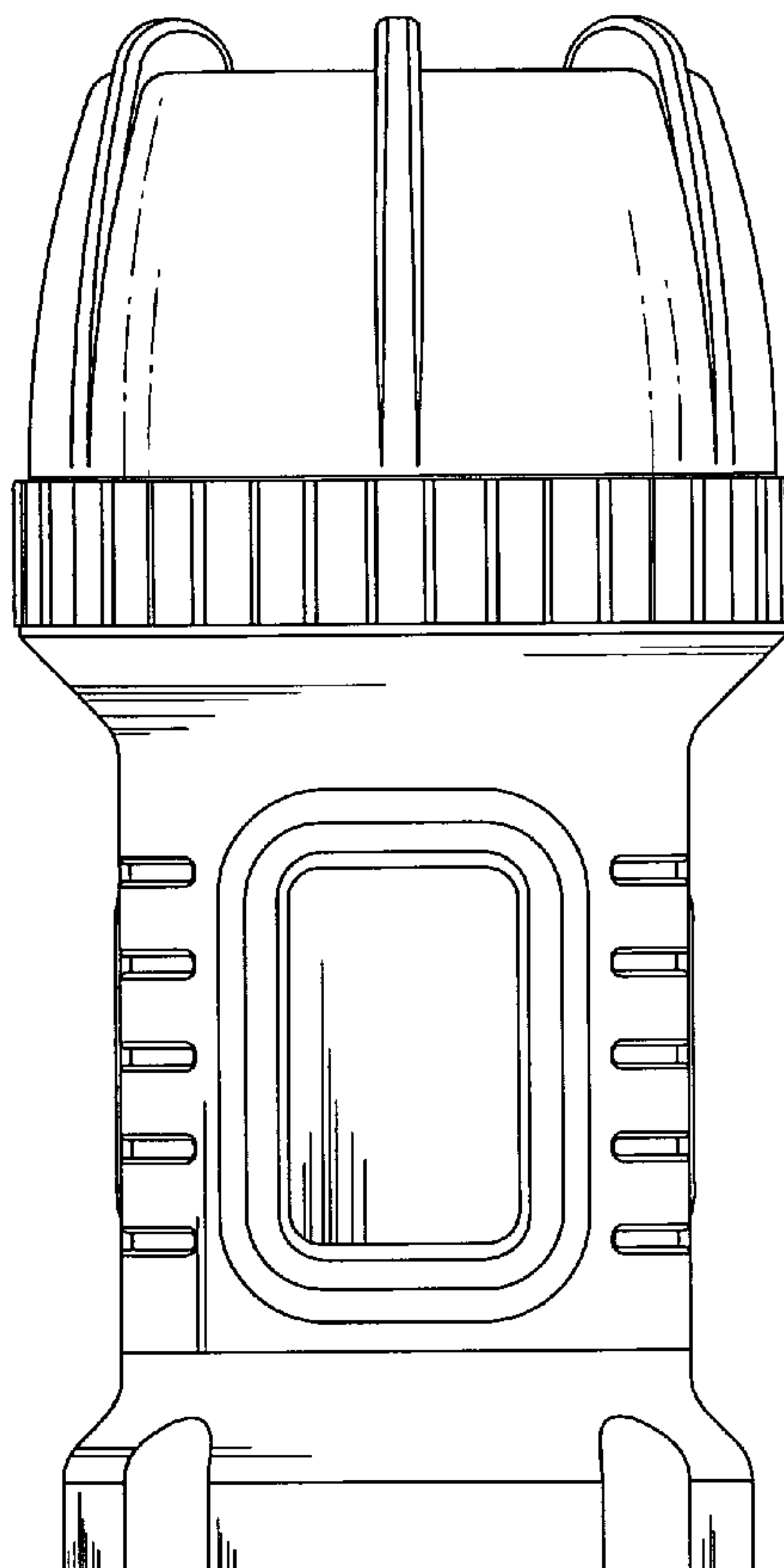
FIG. 4 is a right side view thereof;

FIG. 5 is a top plan view thereof;

FIG. 6 is a bottom plan view thereof; and,

FIG. 7 is a perspective view thereof.

1 Claim, 6 Drawing Sheets



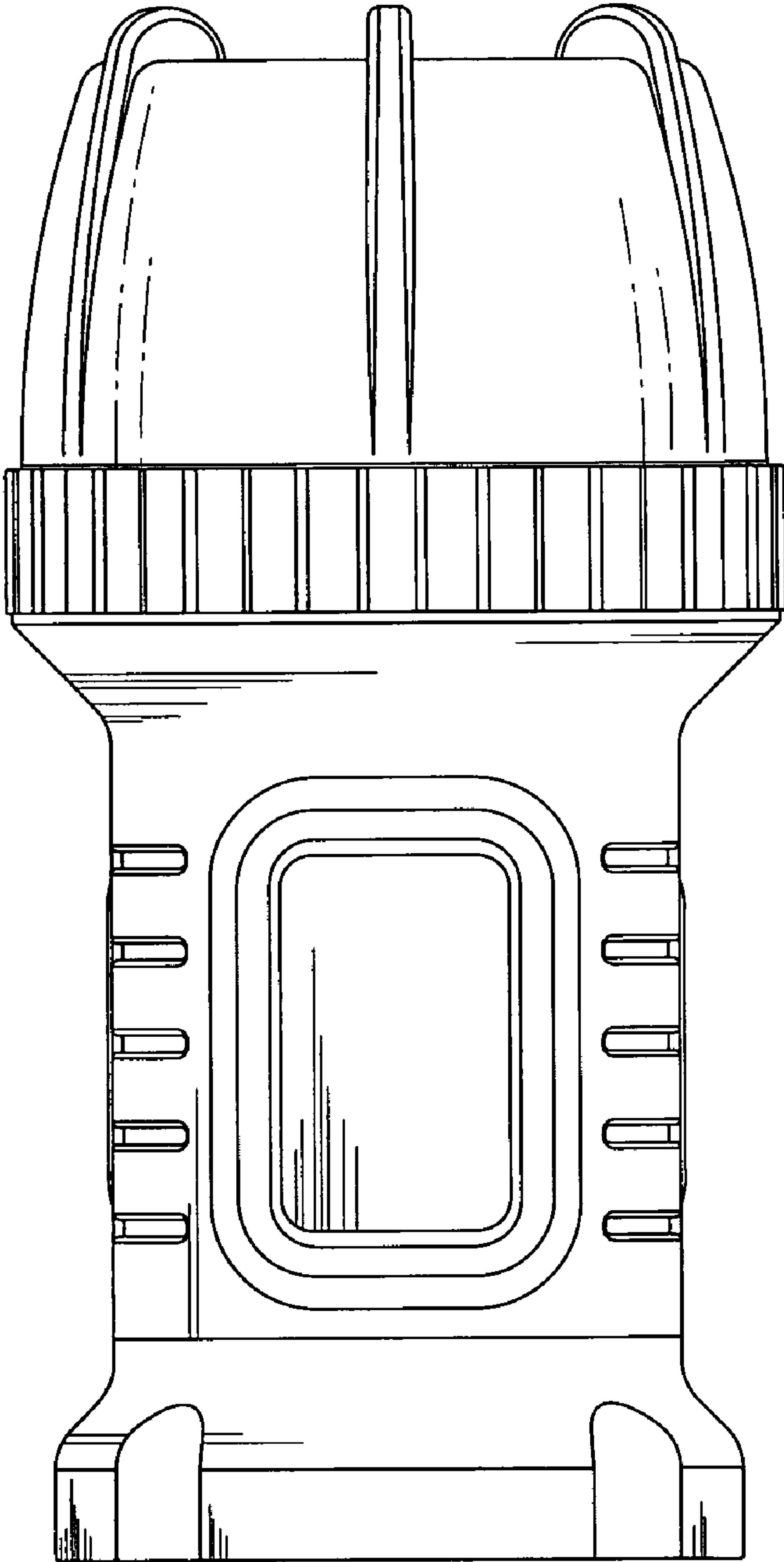


FIG. 1

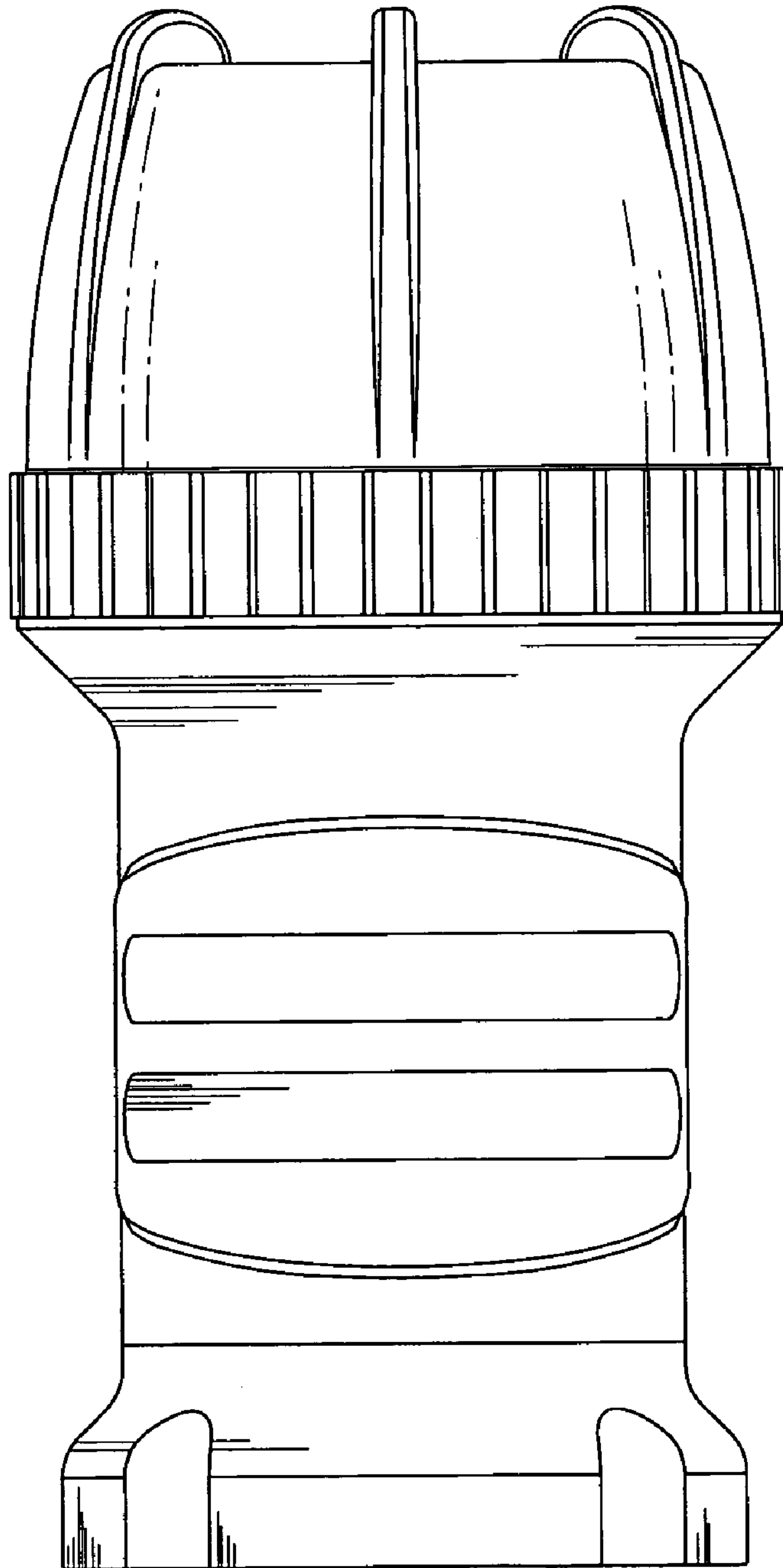


FIG. 2

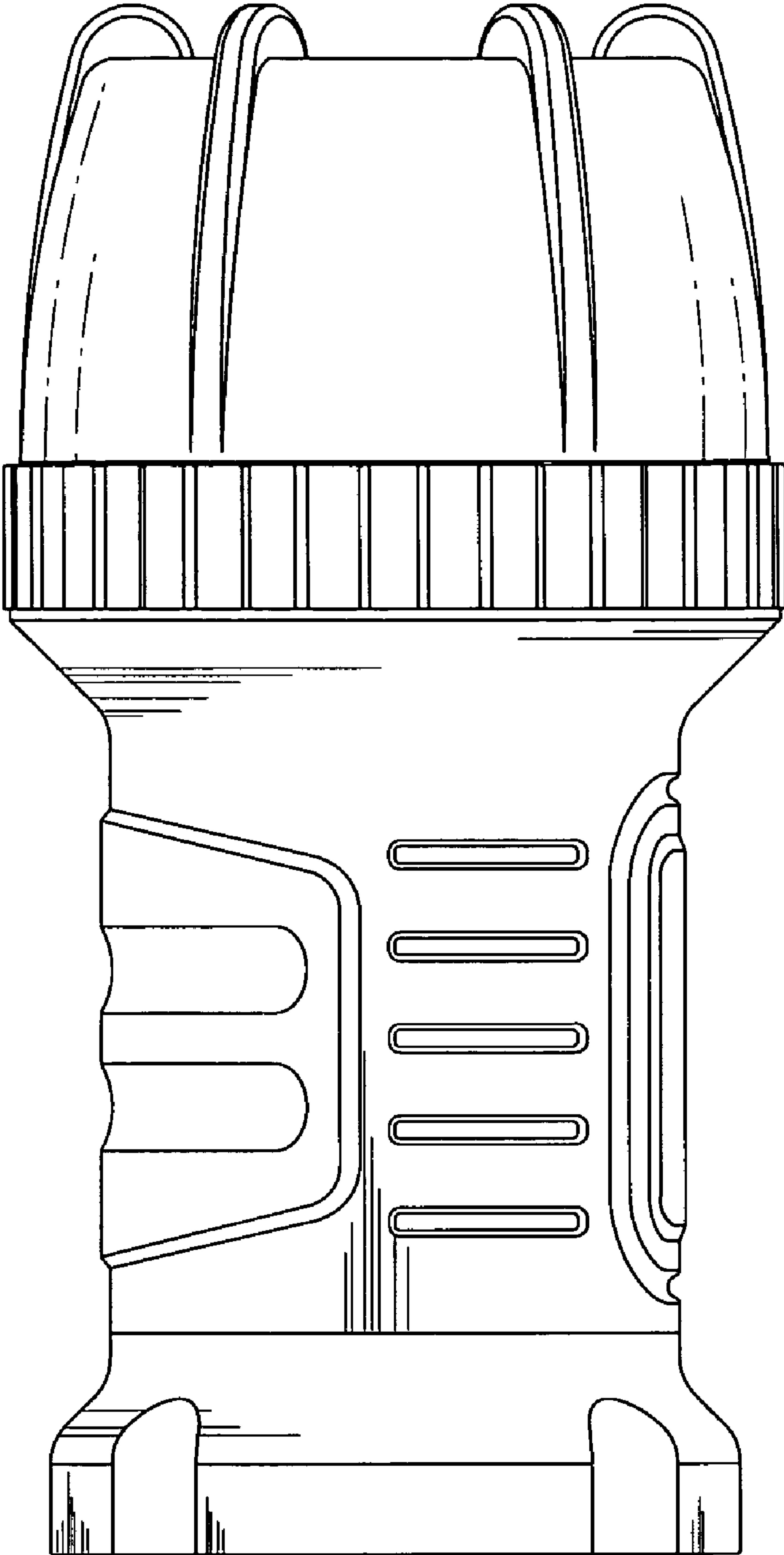


FIG. 3

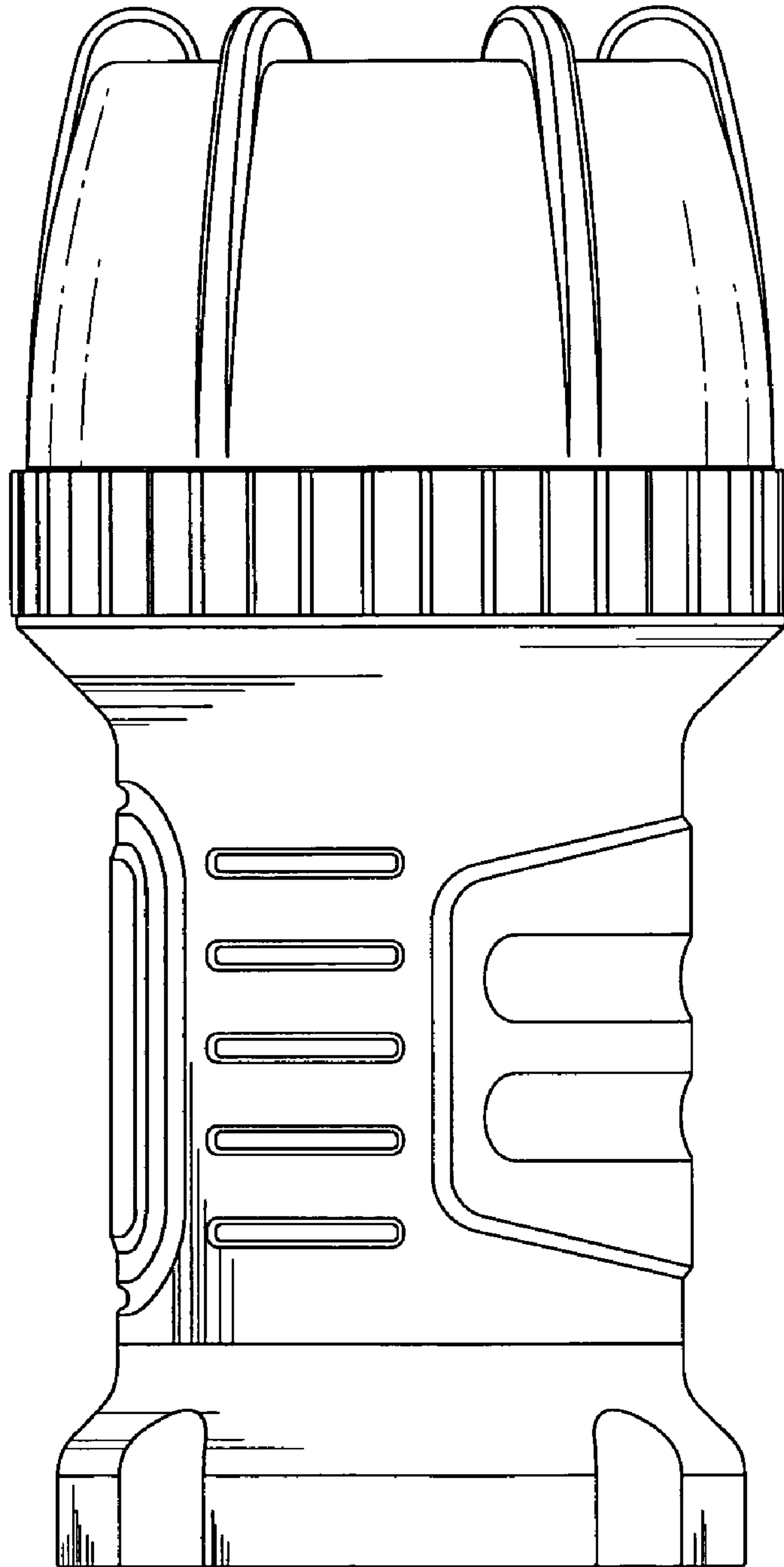


FIG. 4

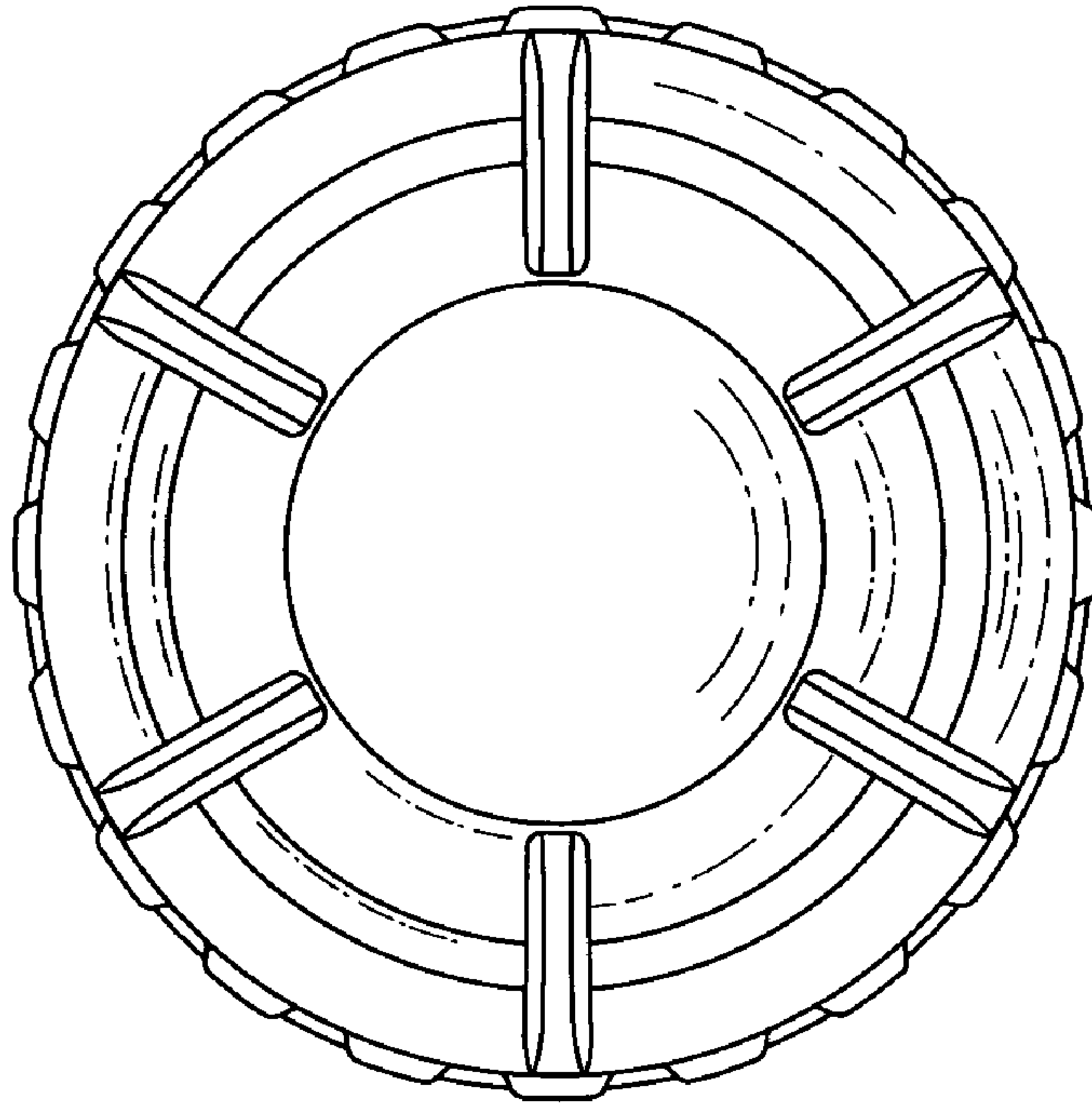


FIG. 5

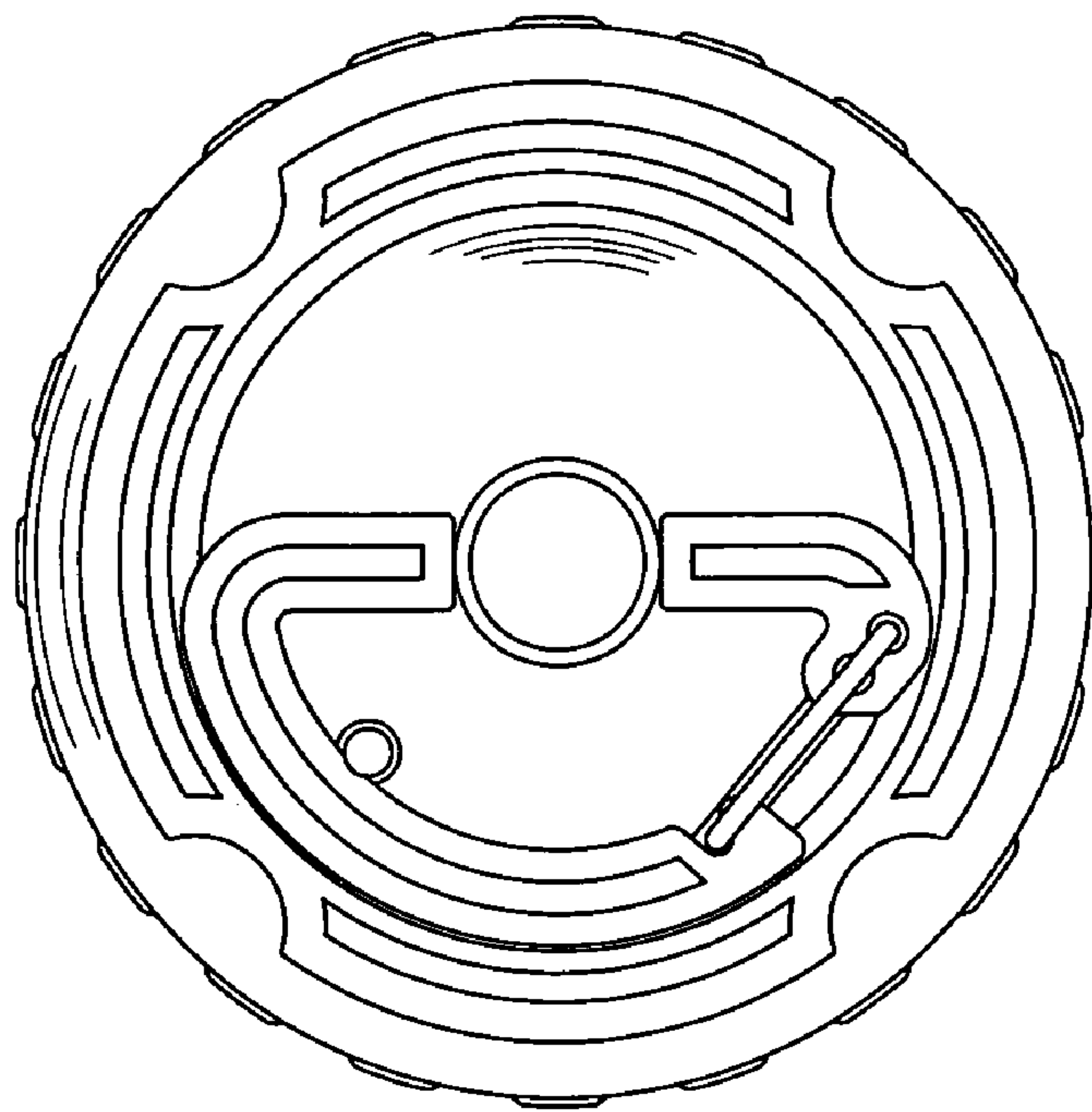


FIG. 6

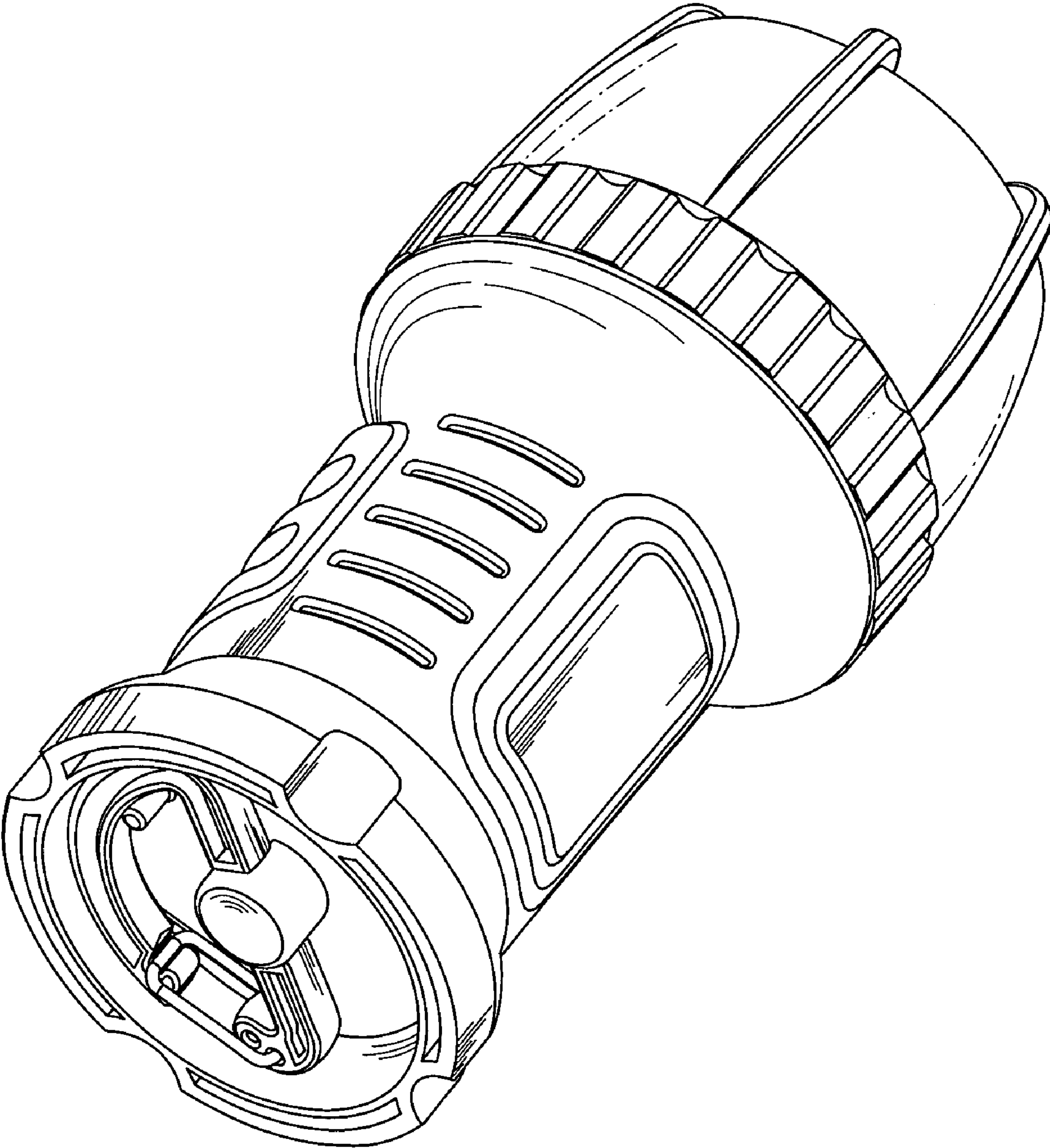


FIG. 7