



US00D604876S

(12) **United States Design Patent**  
**Chadwick**

(10) **Patent No.:** **US D604,876 S**

(45) **Date of Patent:** **\*\* Nov. 24, 2009**

(54) **FLASHLIGHT WITH ADAPTOR**

(76) Inventor: **Douglas James Chadwick**, 44 Via  
Divertirse, San Clemente, CA (US)  
92673

(\*\*) Term: **14 Years**

(21) Appl. No.: **29/314,215**

(22) Filed: **Mar. 13, 2009**

(51) **LOC (9) Cl.** ..... **26-02**

(52) **U.S. Cl.** ..... **D26/44**

(58) **Field of Classification Search** ..... D26/37,  
D26/44, 46; 362/157, 158, 171-177, 183,  
362/184, 186, 190, 196-208

See application file for complete search history.

(56) **References Cited**

U.S. PATENT DOCUMENTS

D375,570 S *	11/1996	Hayakawa et al.	.....	D26/44
D387,456 S *	12/1997	Zurwelle	.....	D26/46
D390,987 S *	2/1998	Zurwelle	.....	D26/46
D394,122 S *	5/1998	Concari et al.	.....	D26/38
D404,839 S *	1/1999	Petterson et al.	.....	D26/44
D406,372 S *	3/1999	Matthes et al.	.....	D26/44
D410,557 S *	6/1999	Petterson et al.	.....	D26/44
D420,156 S *	2/2000	Poon	.....	D26/38
D467,375 S *	12/2002	Lynch et al.	.....	D26/44
D479,351 S *	9/2003	Ashfield	.....	D26/44
D481,146 S *	10/2003	Yuen	.....	D26/37
D499,826 S *	12/2004	Ping	.....	D26/44
D503,238 S *	3/2005	Allen	.....	D26/37

D507,371 S *	7/2005	Heun	.....	D26/44
D552,279 S *	10/2007	Osiecki et al.	.....	D26/44
D563,005 S *	2/2008	Oles et al.	.....	D26/44
D564,113 S *	3/2008	Yuen	.....	D26/42
D567,418 S *	4/2008	Gilbert et al.	.....	D26/43

\* cited by examiner

*Primary Examiner*—Ian Simmons

*Assistant Examiner*—Carissa C Fitts

(57) **CLAIM**

The ornamental design for a flashlight with adapter, as shown and described.

**DESCRIPTION**

FIG. 1 is a perspective view of the flashlight with an adapter; FIG. 2 is another perspective view of the flashlight with an adapter;

FIG. 3 is a front view of the flashlight with an adapter;

FIG. 4 is a back view of the flashlight with an adapter;

FIG. 5 is a side view of the flashlight with an adapter;

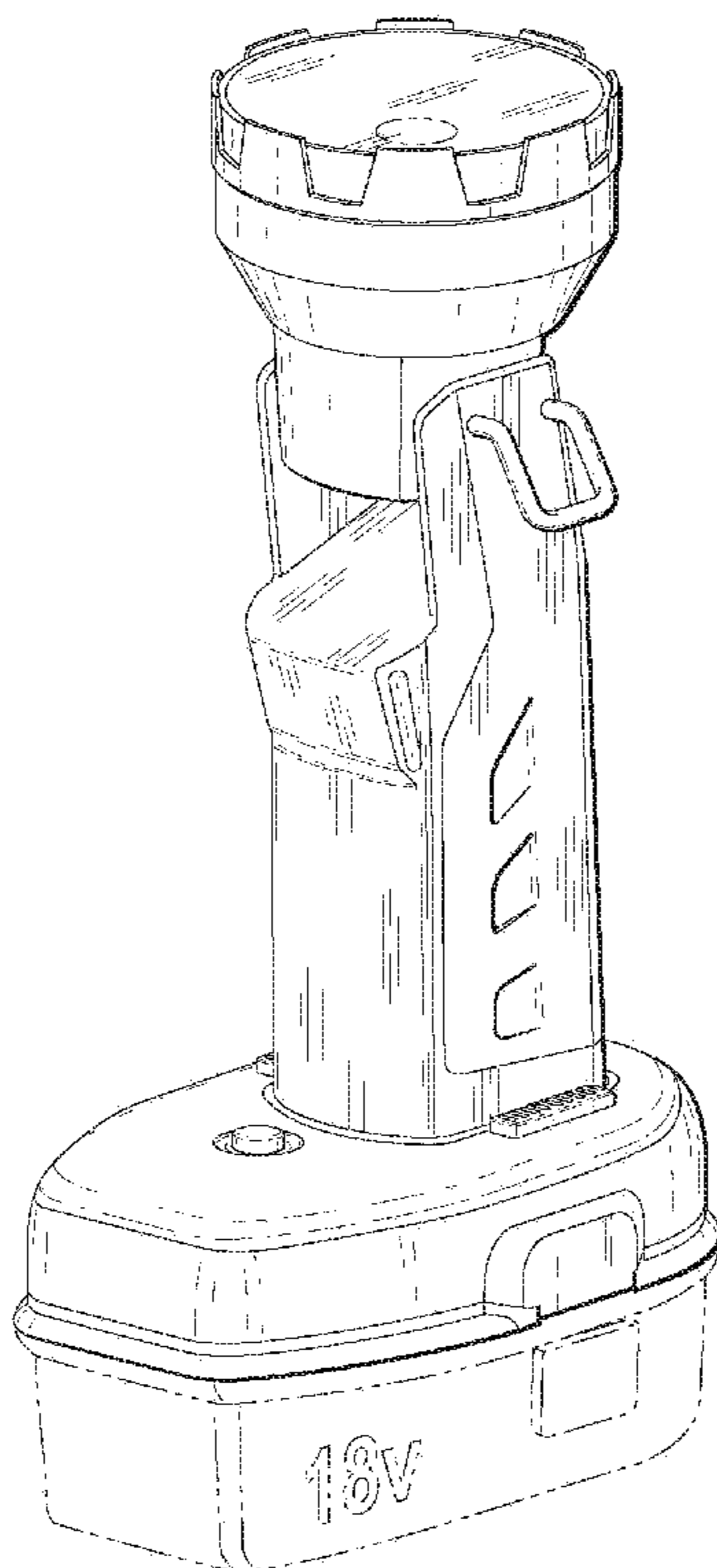
FIG. 6 is a other side view of the flashlight with an adapter;

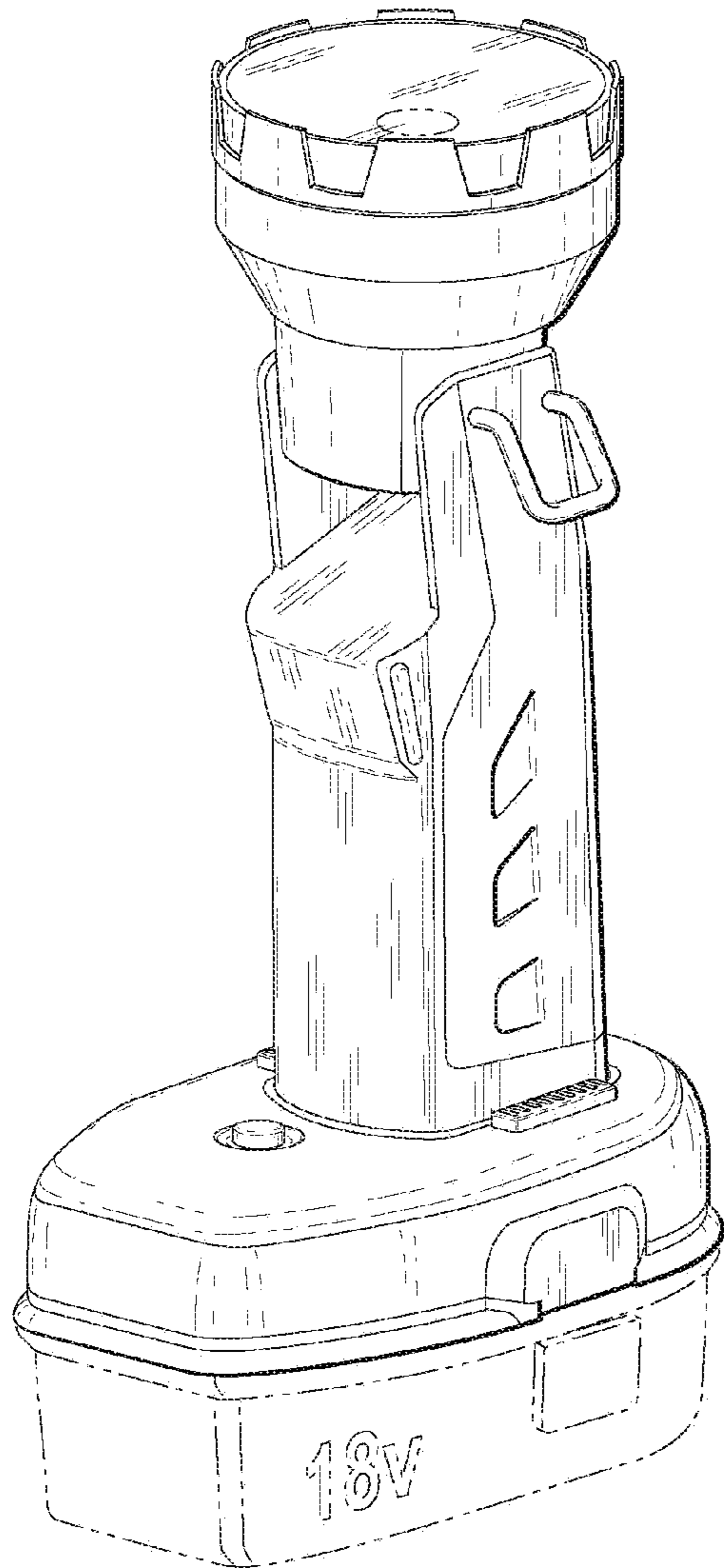
FIG. 7 is a bottom view of the flashlight with an adapter; and,

FIG. 8 is a top view of the flashlight with an adapter.

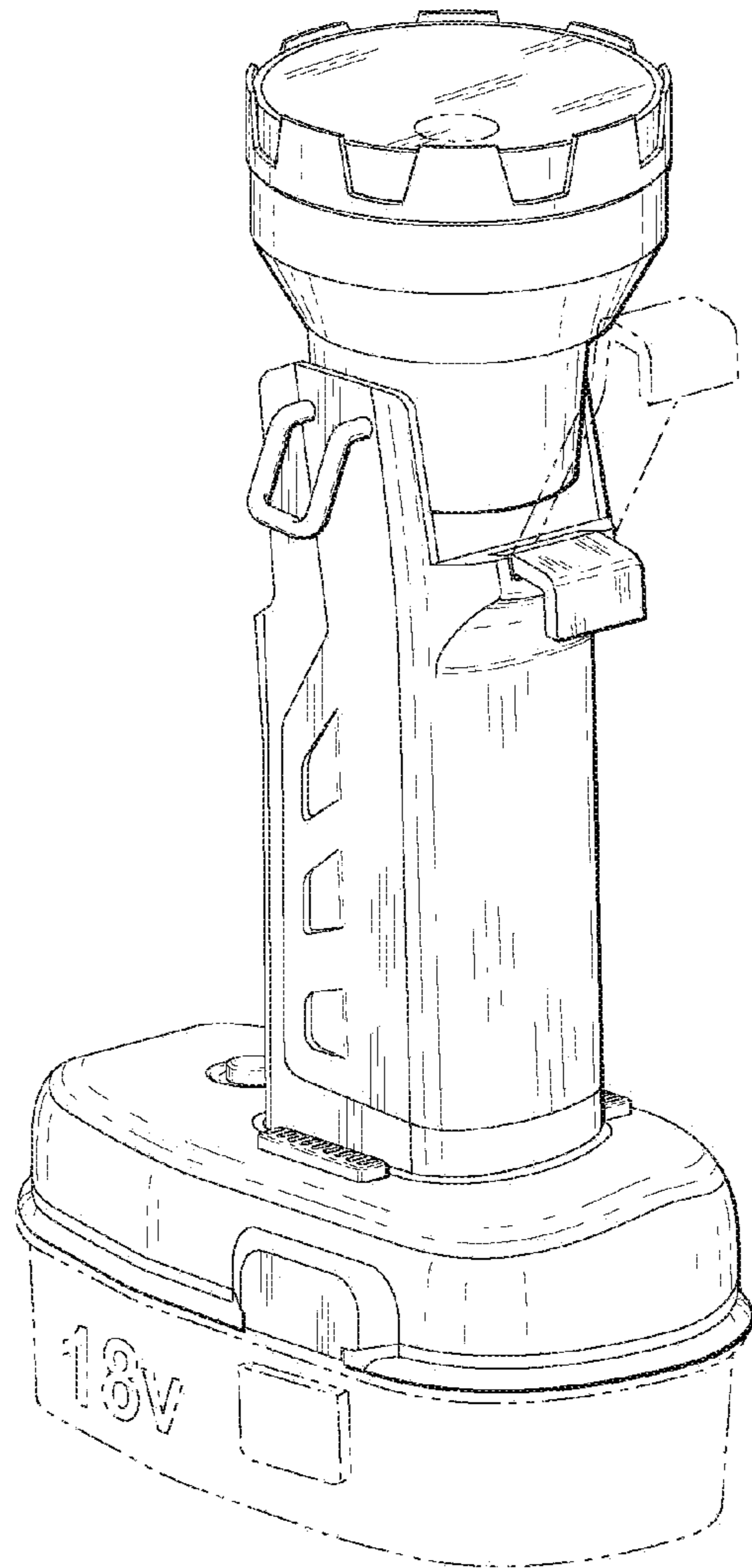
The broken lines in FIGS. 1 through 6 are of a battery pack that can be attached to the adapter to charge the flashlight. The battery pack is shown for illustrative purposes only and forms no part of the claimed design.

**1 Claim, 3 Drawing Sheets**

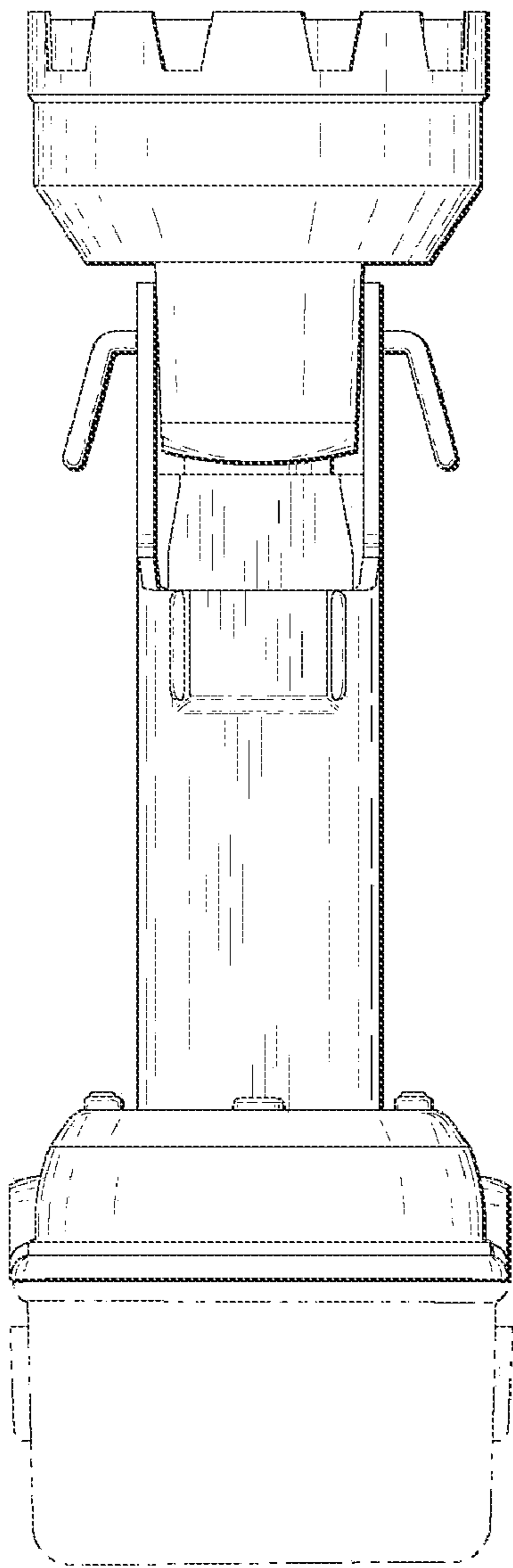




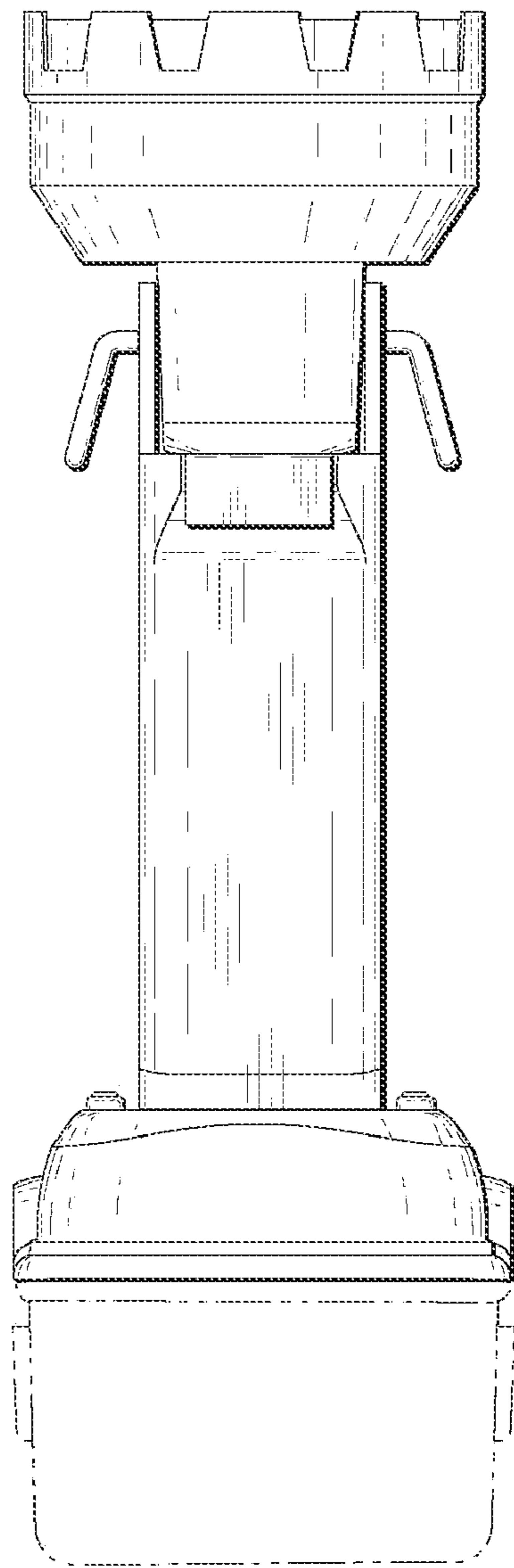
*Fig. 1*



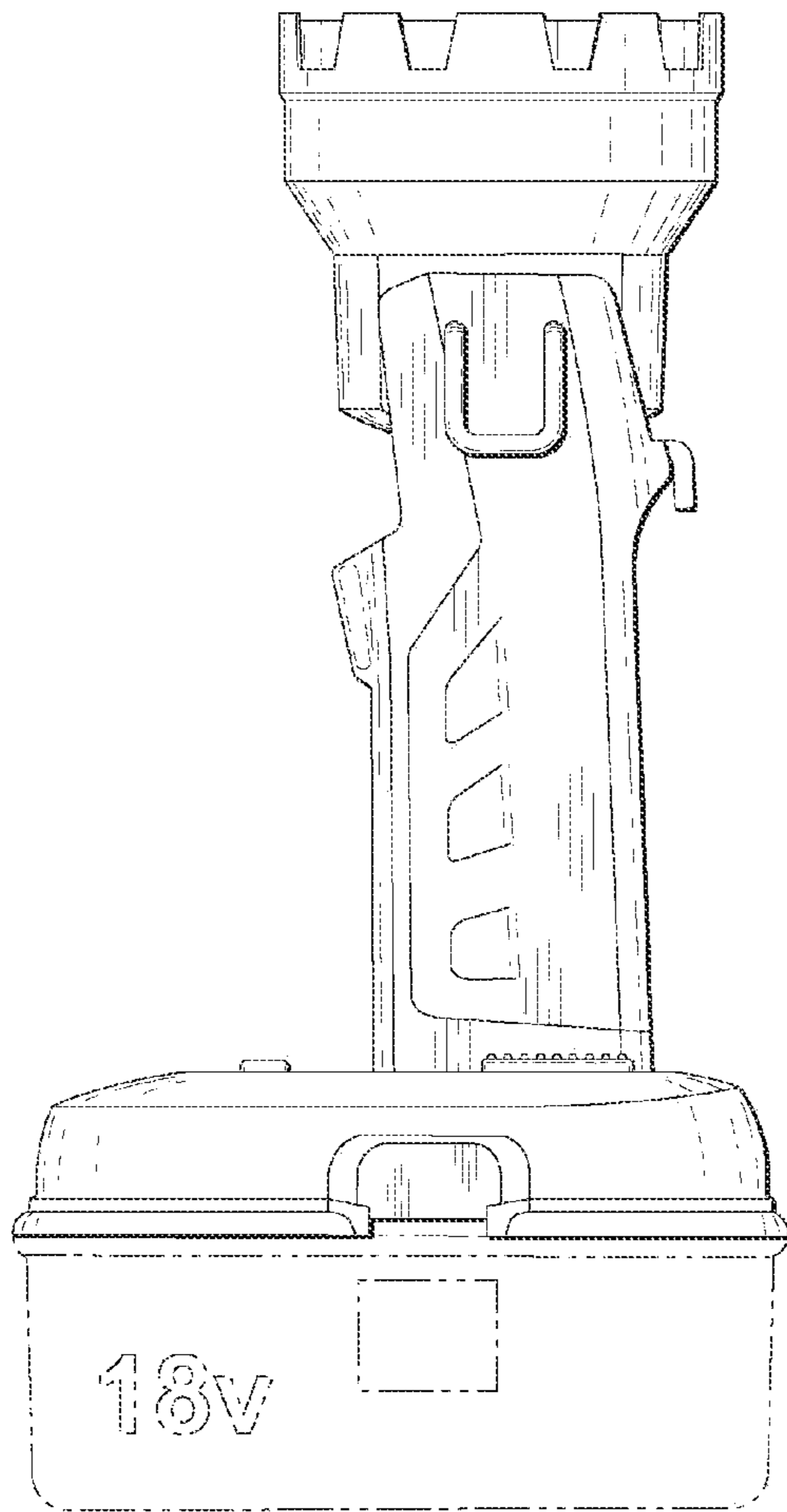
*Fig. 2*



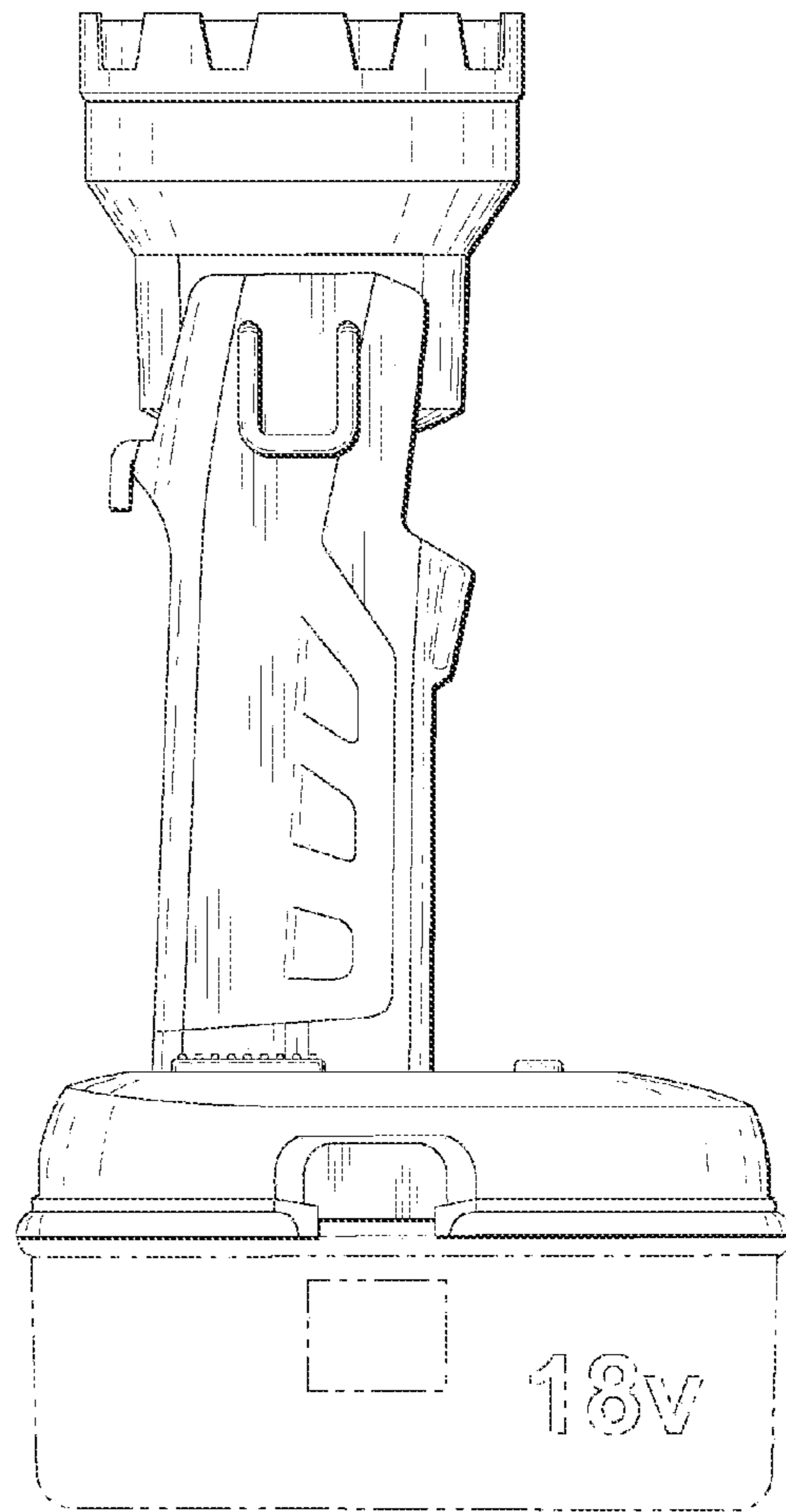
*Fig. 3*



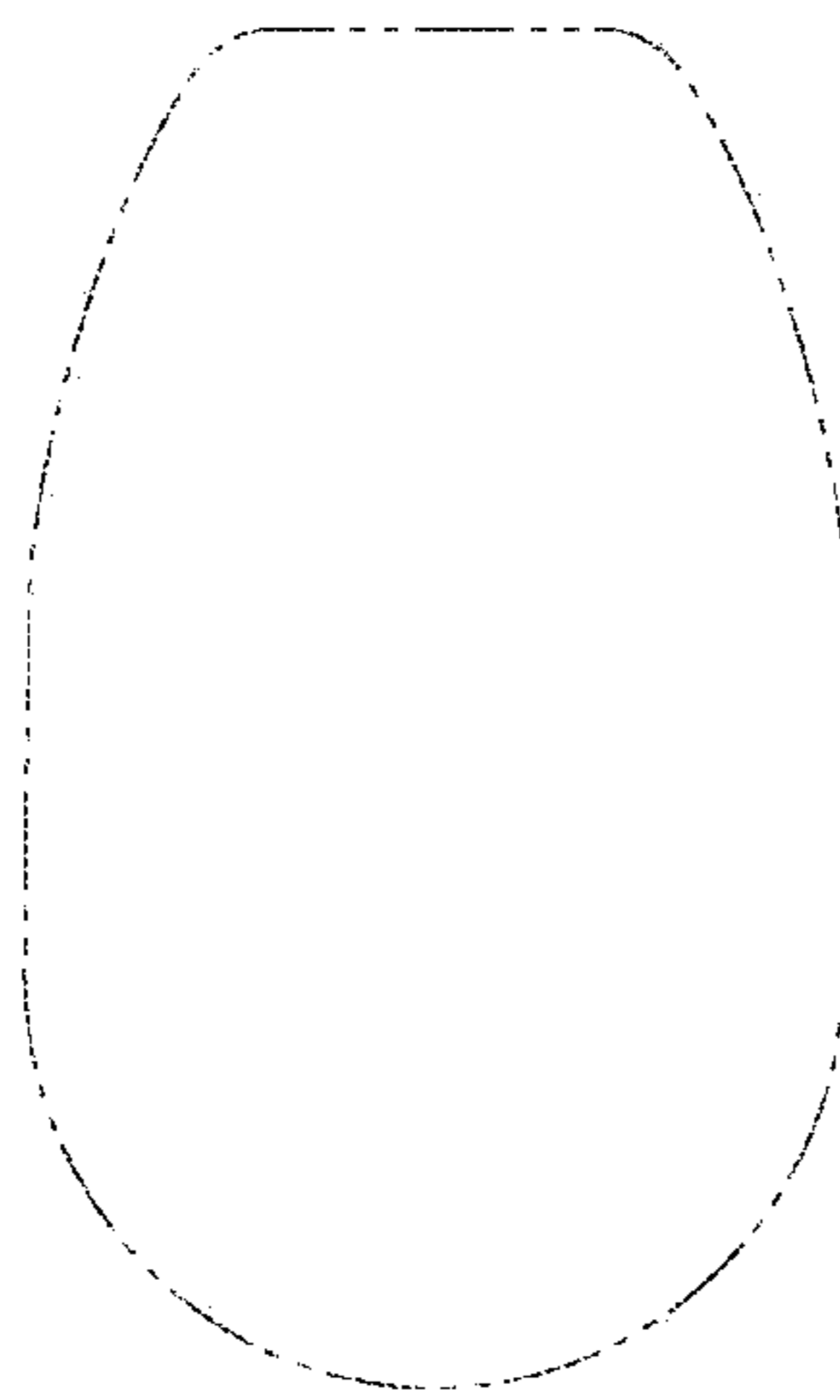
*Fig. 4*



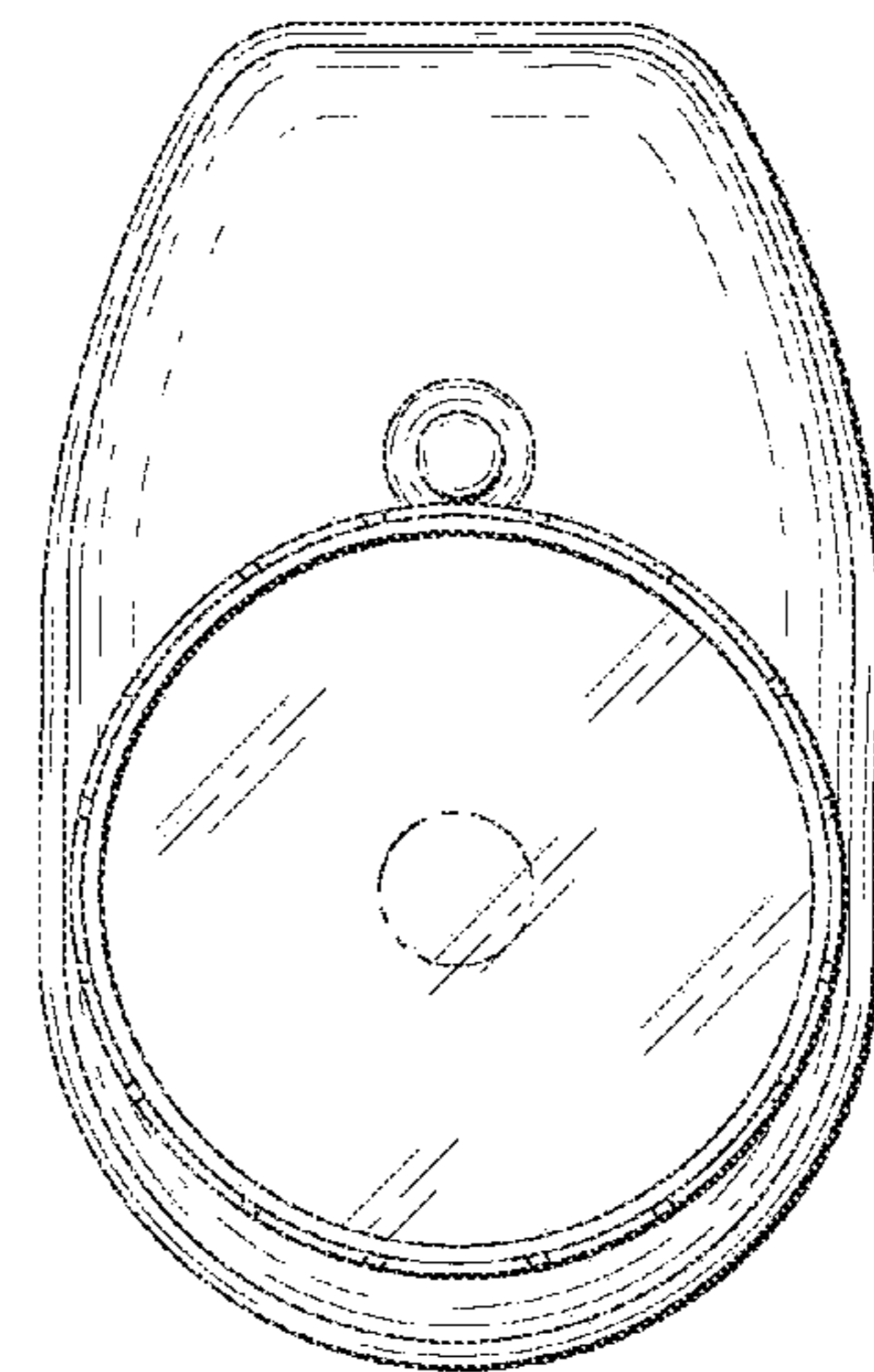
*Fig. 5*



*Fig. 6*



*Fig. 7*



*Fig. 8*