

US00D604874S

(12) **United States Design Patent**
Golden et al.

(10) **Patent No.:** **US D604,874 S**

(45) **Date of Patent:** **** Nov. 24, 2009**

(54) **VEHICLE HEADLIGHT**

(75) Inventors: **Edward R. Golden**, Pinckney, MI (US);
Bradley Alan Richards, Bloomfield
Hills, MI (US); **William K. Moore**, West
Bloomfield, MI (US)

(73) Assignee: **Ford Motor Company**, Dearborn, MI
(US)

(**) Term: **14 Years**

(21) Appl. No.: **29/320,307**

(22) Filed: **Jun. 25, 2008**

(51) **LOC (9) Cl.** **26-06**

(52) **U.S. Cl.** **D26/28**

(58) **Field of Classification Search** D26/28-36;
362/459-468, 475-478, 485-487
See application file for complete search history.

(56) **References Cited**

U.S. PATENT DOCUMENTS

D535,045 S	1/2007	Schiavone	
D569,533 S *	5/2008	Hsu	D26/28
D570,007 S *	5/2008	Hsu	D26/28
D570,014 S *	5/2008	Hsu	D26/28
D570,016 S *	5/2008	Hsu	D26/28

OTHER PUBLICATIONS

Detroit 02 Ford Mighty F-350 Tonka, <http://www.canadiandriver.com/news/020107na-5.htm>.

Detroit 06 Ford Concept Super Shief F350, <http://www.a2mac1.net>.
New York 08 Ford F350 Super Duty 4x4, <http://www.a2mac1.net>.

* cited by examiner

Primary Examiner—Marcus A Jackson
(74) *Attorney, Agent, or Firm*—Damian Porcari

(57) **CLAIM**

An ornamental design for a vehicle headlight, shown and described.

DESCRIPTION

FIG. 1 is a front elevational view of a left vehicle headlight (both the left and right headlight being mirror images and only one is shown);

FIG. 2 is left side elevational view of the vehicle headlight;

FIG. 3 is right side elevational view of the vehicle headlight;

FIG. 4 is a top plan view of the vehicle headlight;

FIG. 5 is a bottom plan view of the vehicle headlight; and,

FIG. 6 is rear elevational view of the vehicle headlight.

The vehicle headlight is styled independently of adjacent vehicle panels. Shading is used to illustrate the curvature of the part and not color. Any functional features of the vehicle headlight are not claimed. Views are orthogonal projections rendered from computer aided design data. The various views are not necessarily to scale in order to better illustrate the design.

1 Claim, 6 Drawing Sheets





Figure 1

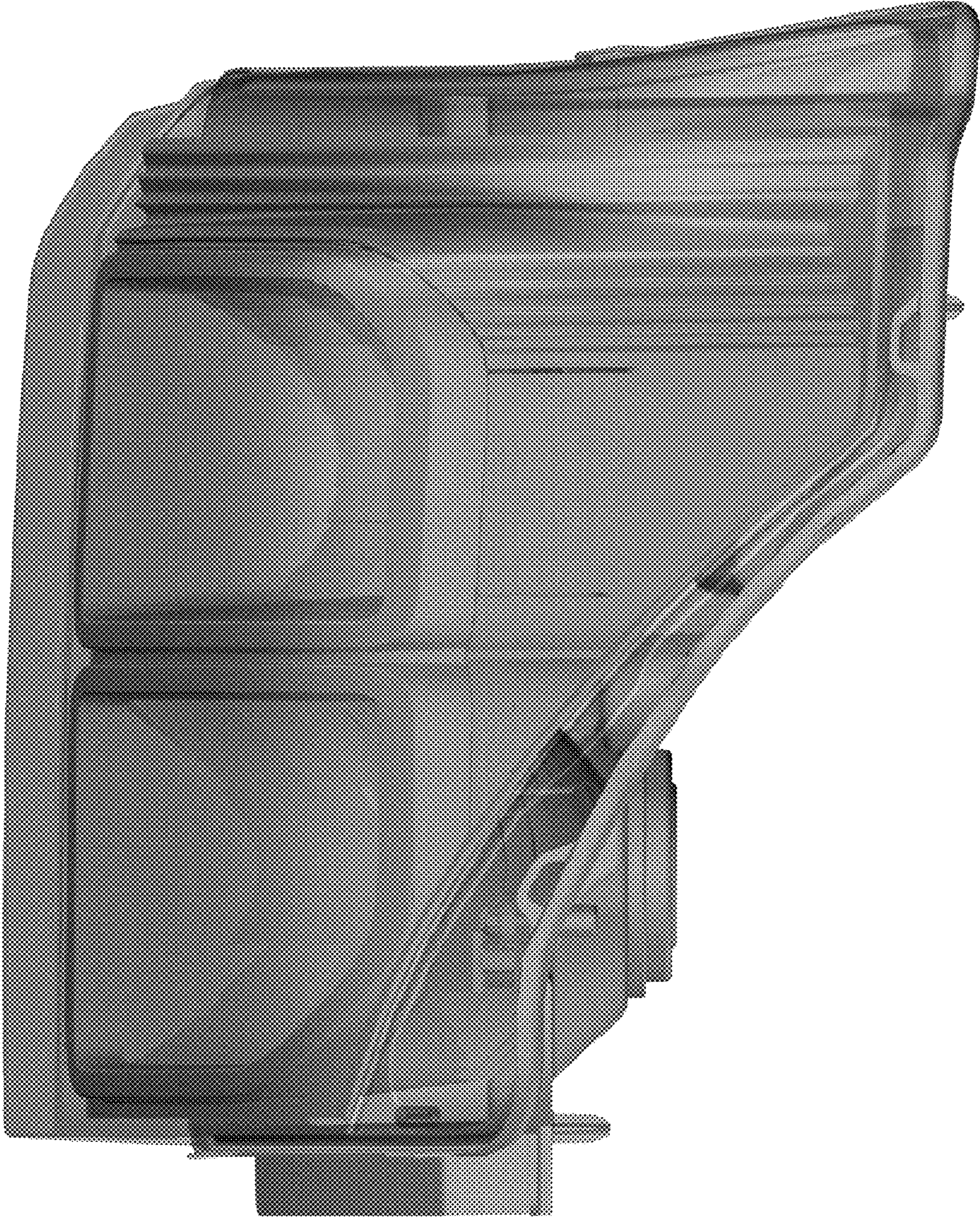


Figure 2

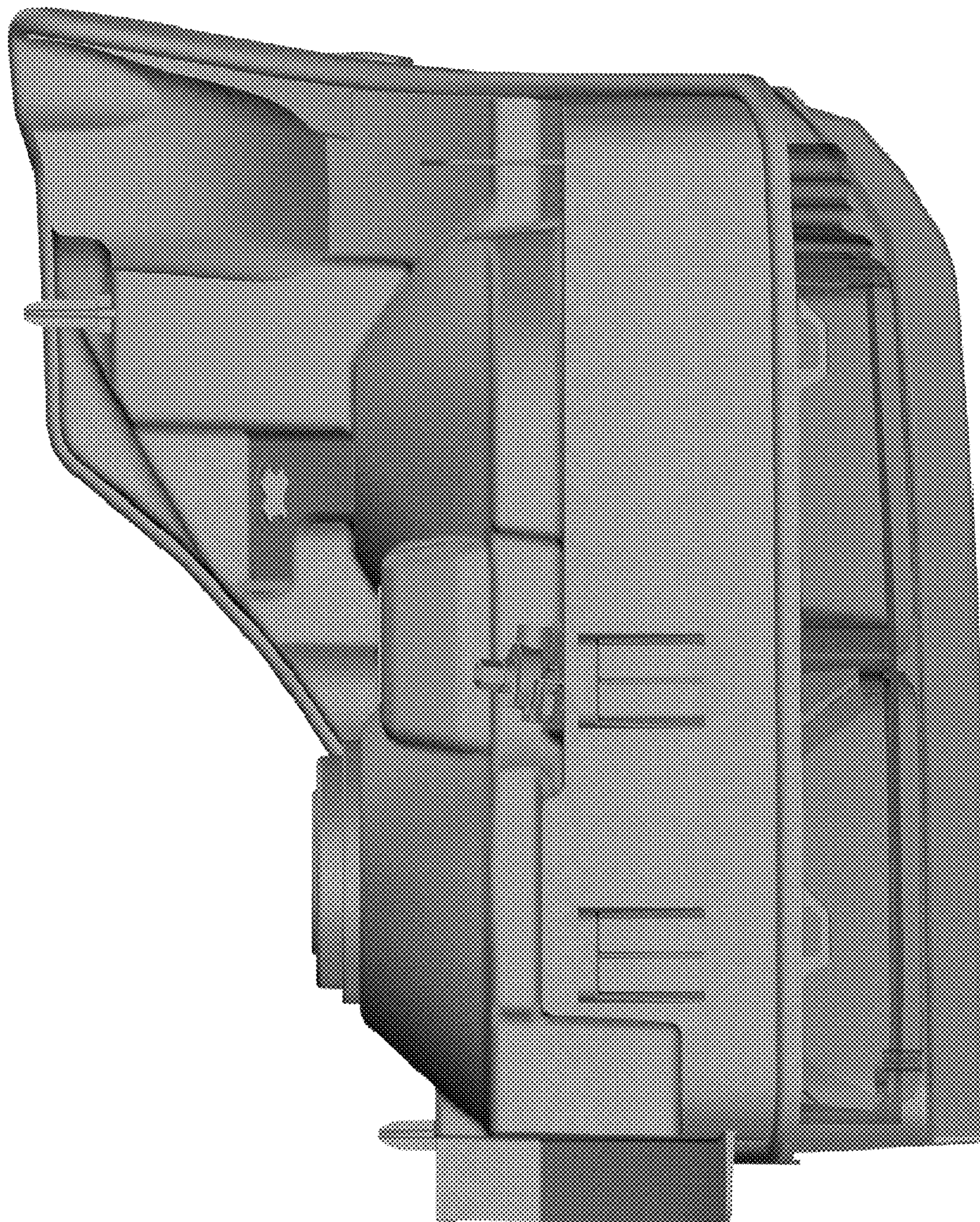


Figure 3

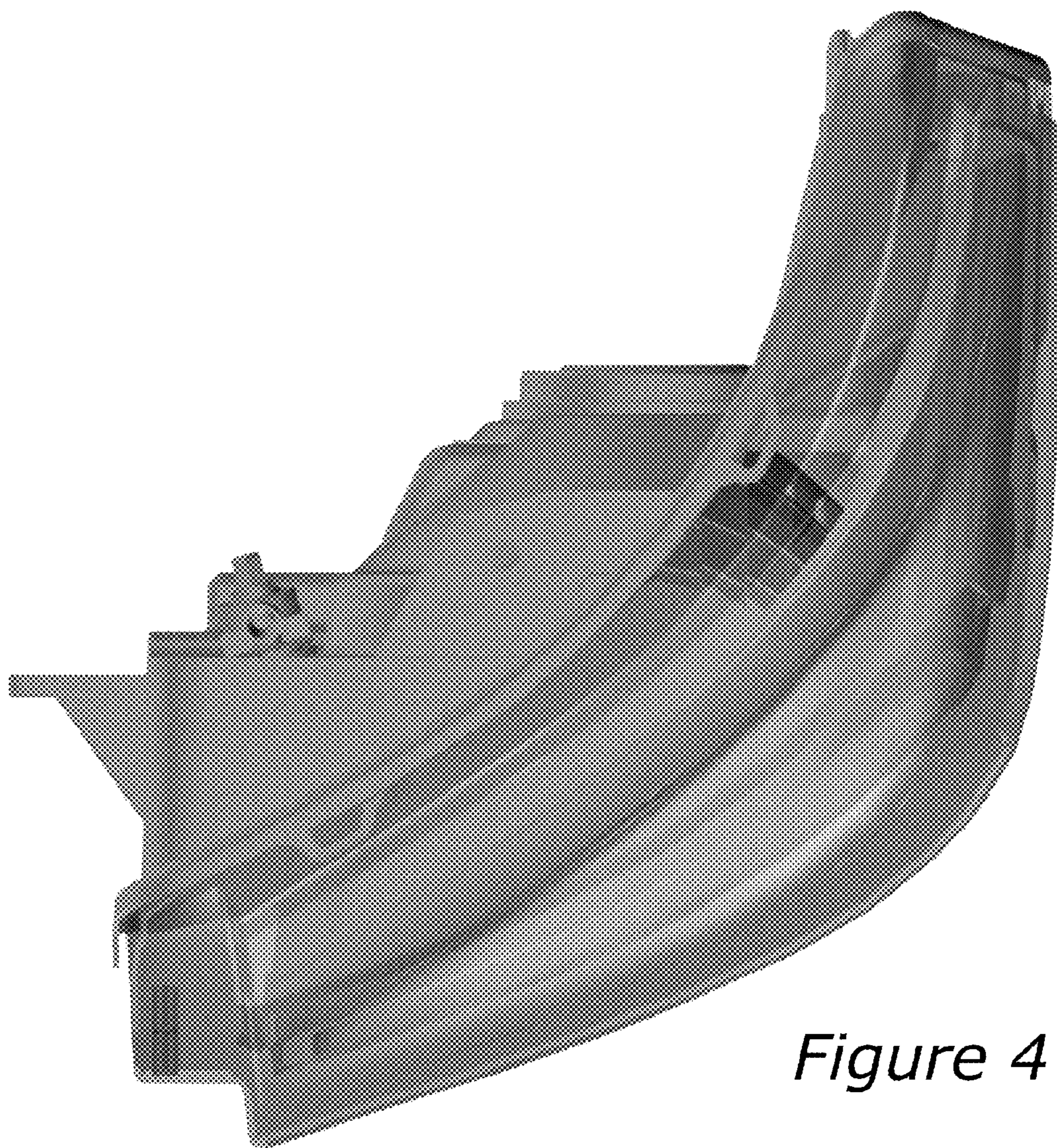
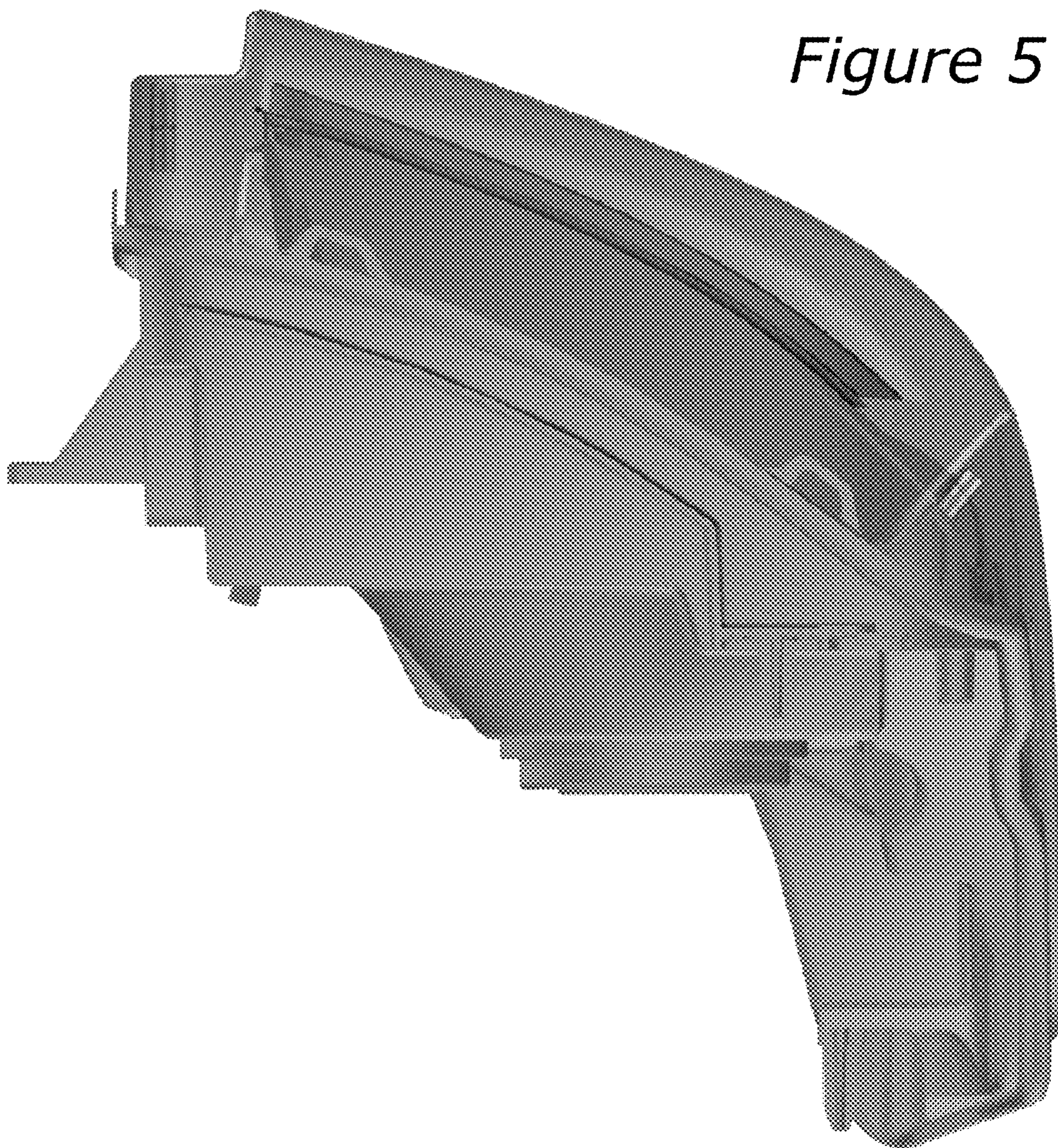


Figure 4

Figure 5



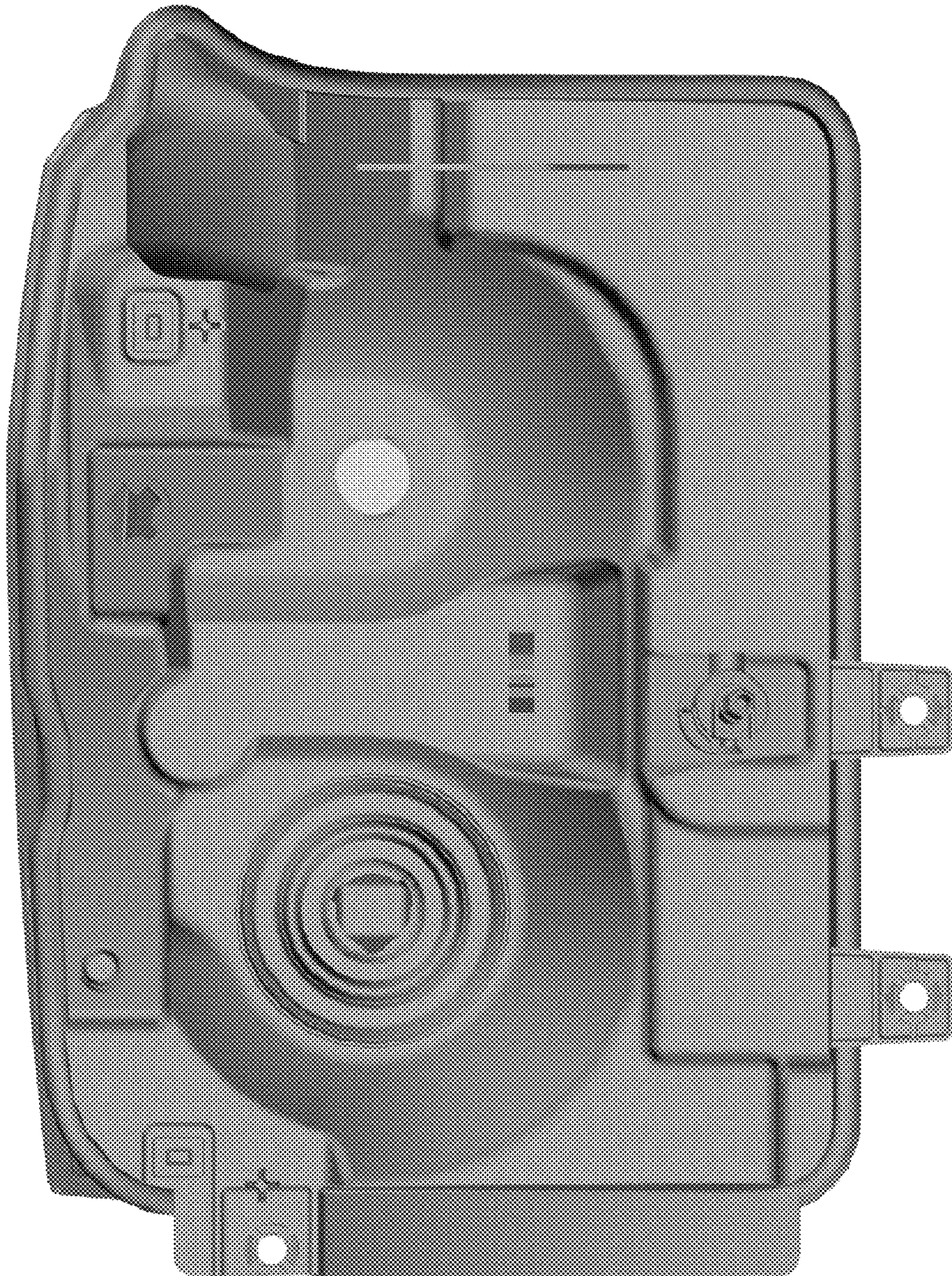


Figure 6