



US00D604870S

(12) **United States Design Patent**
Hong

(10) **Patent No.:** **US D604,870 S**

(45) **Date of Patent:** **** Nov. 24, 2009**

(54) **LED UTILITY LIGHT FOR PORTABLE MOUNTING APPLICATION**

(75) Inventor: **Yeung Chi Hong**, Tsuen Wan (HK)

(73) Assignee: **Sunny Base International Limited**,
Hong Kong (CN)

(**) Term: **14 Years**

(21) Appl. No.: **29/320,631**

(22) Filed: **Jun. 30, 2008**

(51) **LOC (9) Cl.** **26-03**

(52) **U.S. Cl.** **D26/24**

(58) **Field of Classification Search** D26/1,
D26/24, 37-38, 51, 61, 93, 104, 122; 362/124,
362/247, 159, 200, 205, 640, 641, 642, 643,
362/644, 647, 649, 650, 652, 653, 655, 657,
362/658, 659

See application file for complete search history.

(56) **References Cited**

U.S. PATENT DOCUMENTS

D356,172 S *	3/1995	Vance	D26/46
D402,067 S *	12/1998	Sinclair	D26/37
D551,368 S *	9/2007	Shiu	D26/37
D567,430 S *	4/2008	Kingston et al.	D26/104
D572,387 S *	7/2008	Uemoto et al.	D26/24
D574,090 S *	7/2008	Takada et al.	D26/1
D595,875 S *	7/2009	Irvine	D26/24

* cited by examiner

Primary Examiner—Brian N Vinson

(74) *Attorney, Agent, or Firm*—Kevin J. McNeely; McNeely & Hare

(57) **CLAIM**

The ornamental design for a LED utility light for portable mounting application, as shown and described.

DESCRIPTION

FIG. 1 is a top, front, and left side perspective view of an LED utility light for portable mounting application showing my

new design, the broken-line illustration of connecting cables being understood to be part of the article in which the claimed design is embodied, but which forms no part of the claimed design;

FIG. 2 is a top, front, and left side perspective view of the battery portion with on/off switch thereof, the remainder of the assembly being omitted for clarity of illustration;

FIG. 3 is a rear elevational view thereof;

FIG. 4 is a front elevational view thereof;

FIG. 5 is a right side elevational view thereof;

FIG. 6 is a left side elevational view thereof;

FIG. 7 is a top plan view thereof;

FIG. 8 is a bottom plan view thereof;

FIG. 9 is a top, front, and left side perspective view of the lamp portion thereof, the remainder of the assembly being omitted for clarity of illustration;

FIG. 10 is a front elevational view thereof;

FIG. 11 is a rear elevational view thereof;

FIG. 12 is a right side elevational view thereof;

FIG. 13 is a left side elevational view thereof;

FIG. 14 is a top plan view thereof;

FIG. 15 is a bottom plan view thereof;

FIG. 16 is a top, front, and left side perspective view of the switch portion thereof, the remainder of the assembly being omitted for clarity of illustration;

FIG. 17 is a rear elevational view thereof;

FIG. 18 is a front elevational view thereof;

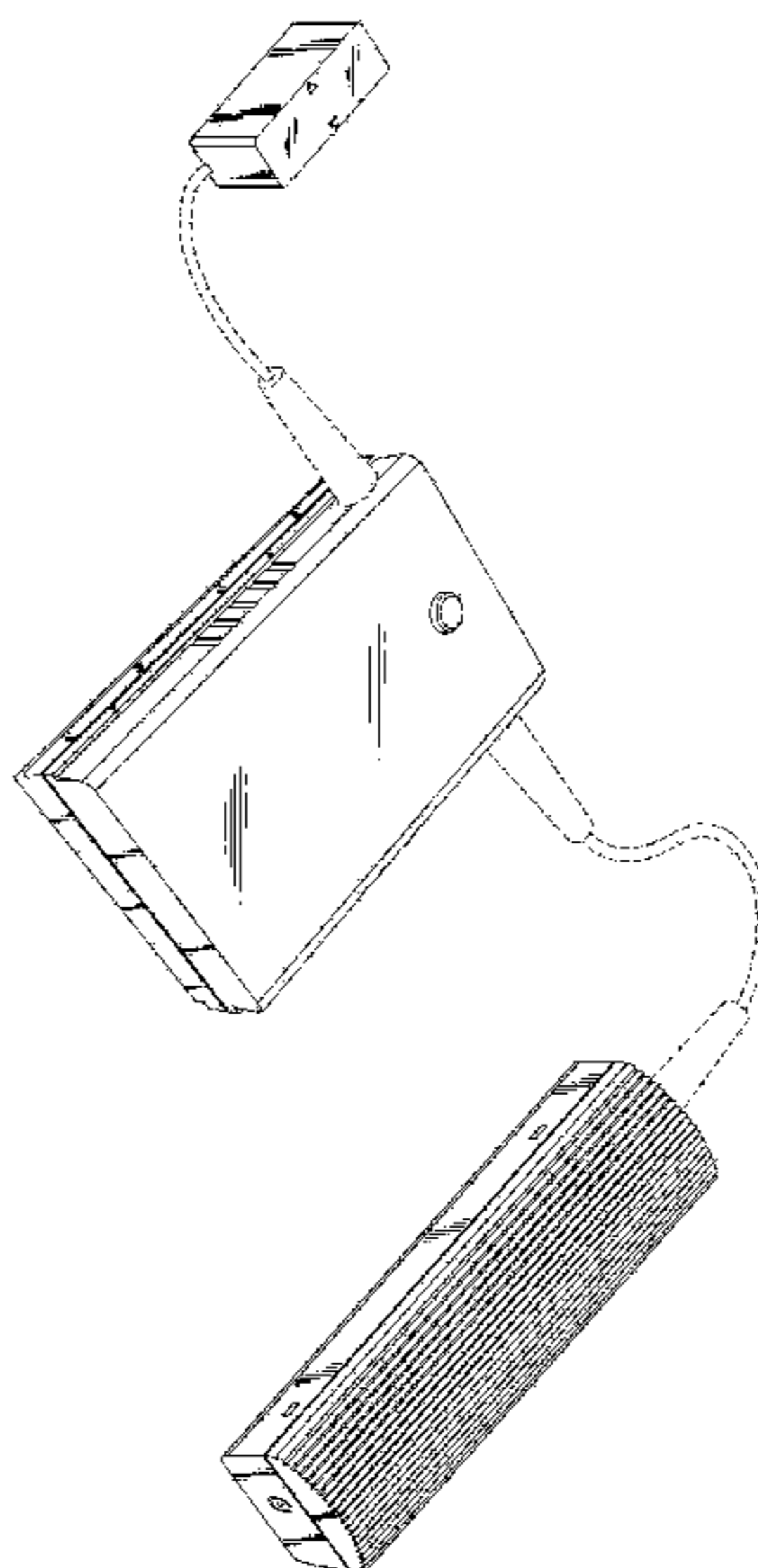
FIG. 19 is a right side elevational view thereof;

FIG. 20 is a left side elevational view thereof;

FIG. 21 is a top plan view thereof; and,

FIG. 22 is a bottom plan view thereof.

1 Claim, 10 Drawing Sheets



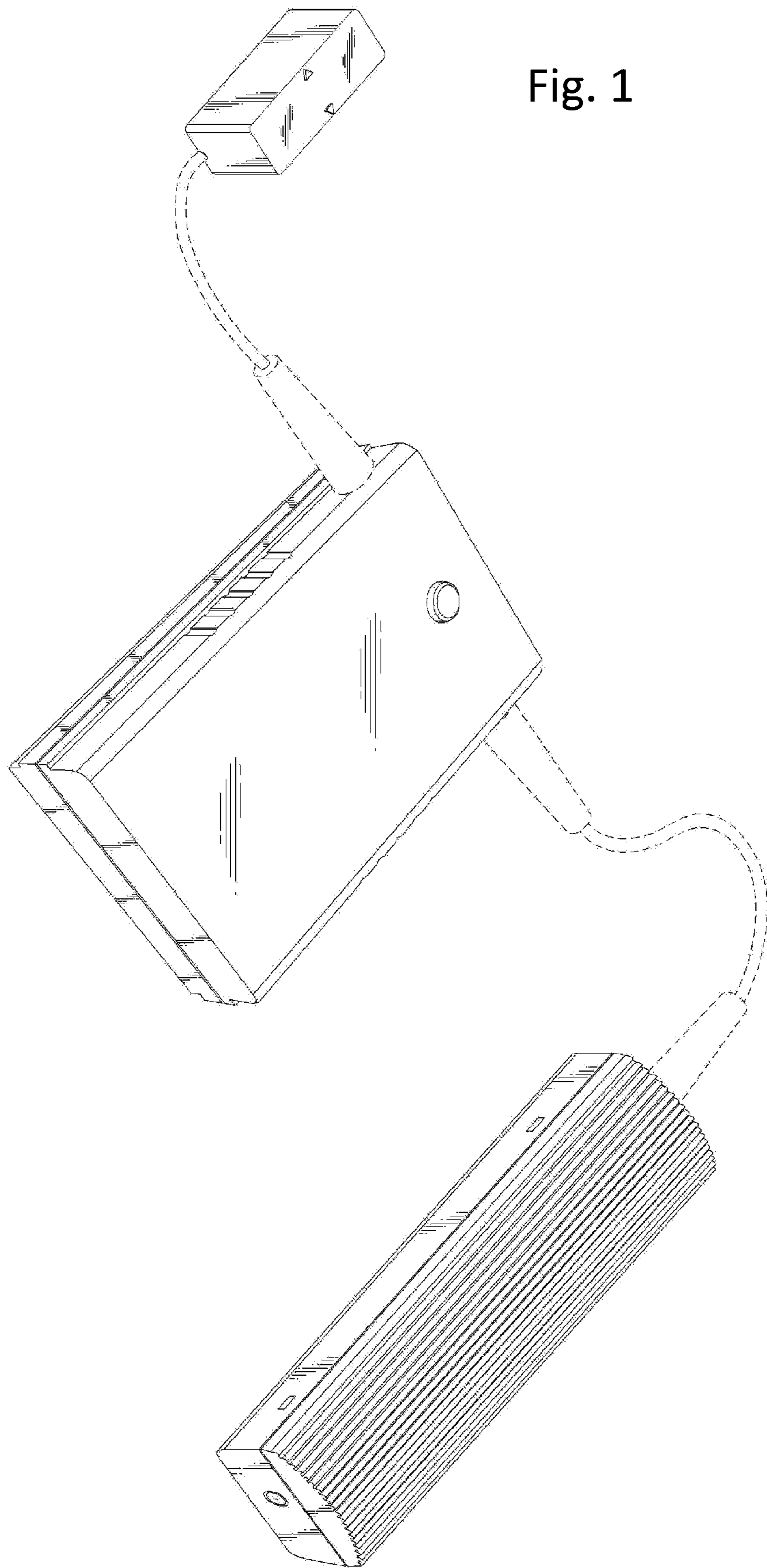


Fig. 1

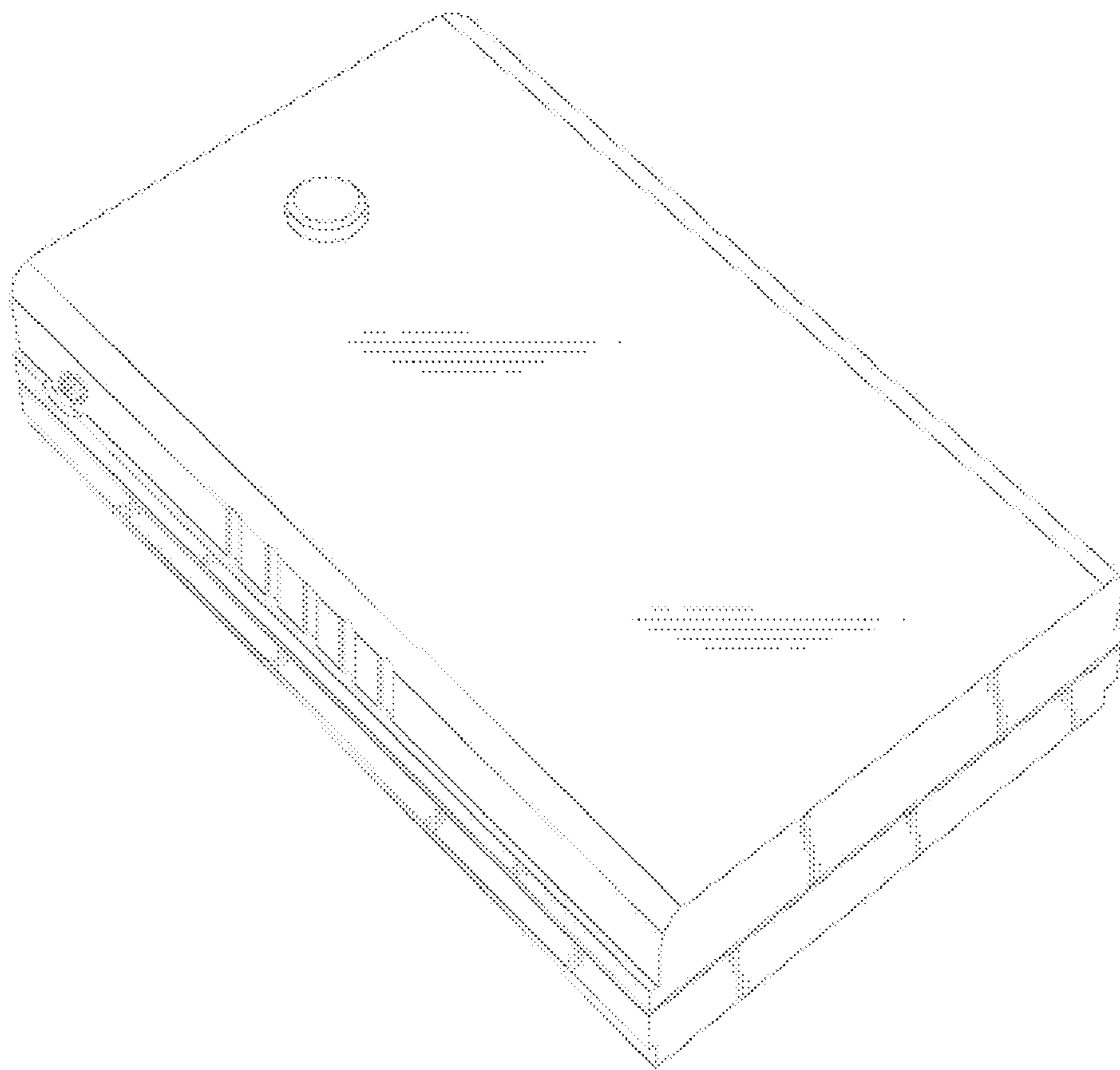


Fig. 2

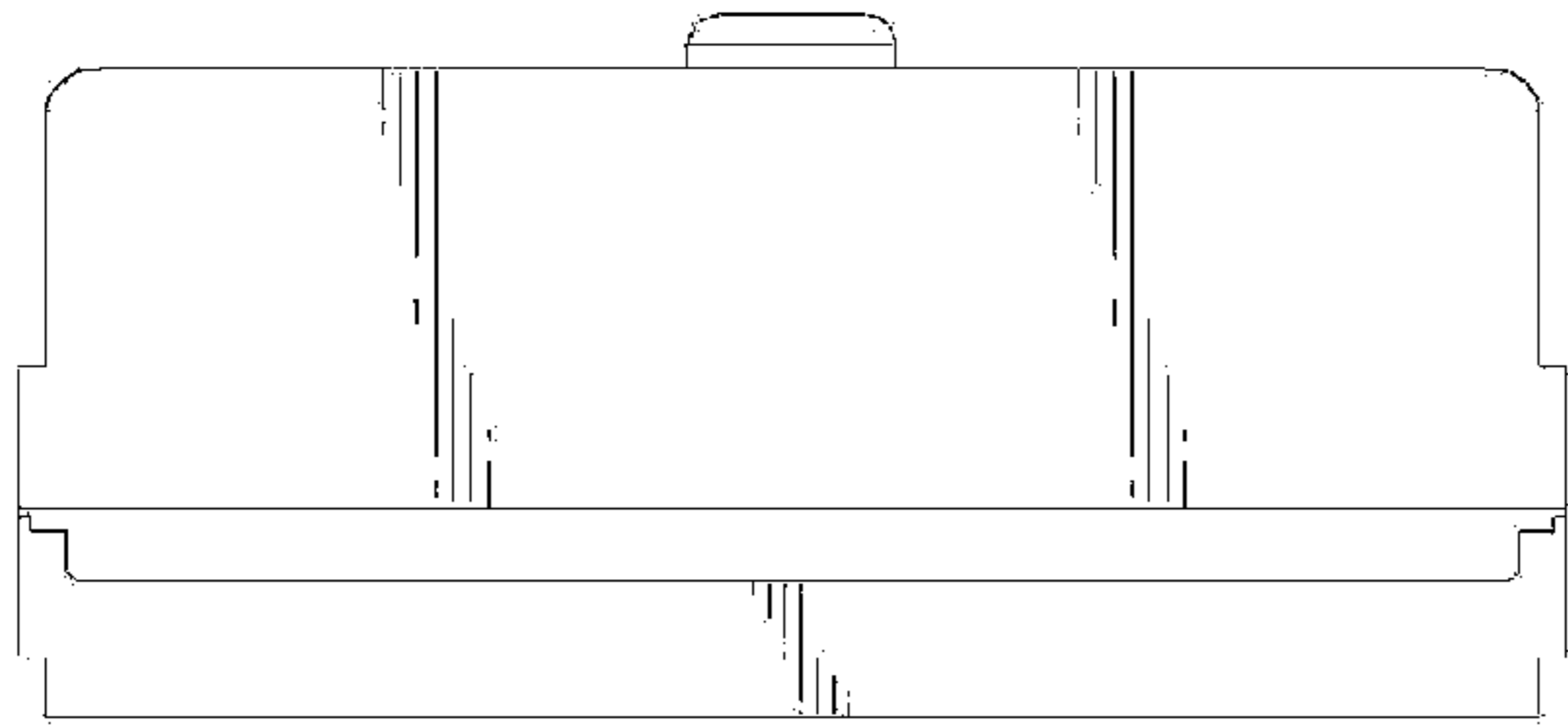


Fig. 3

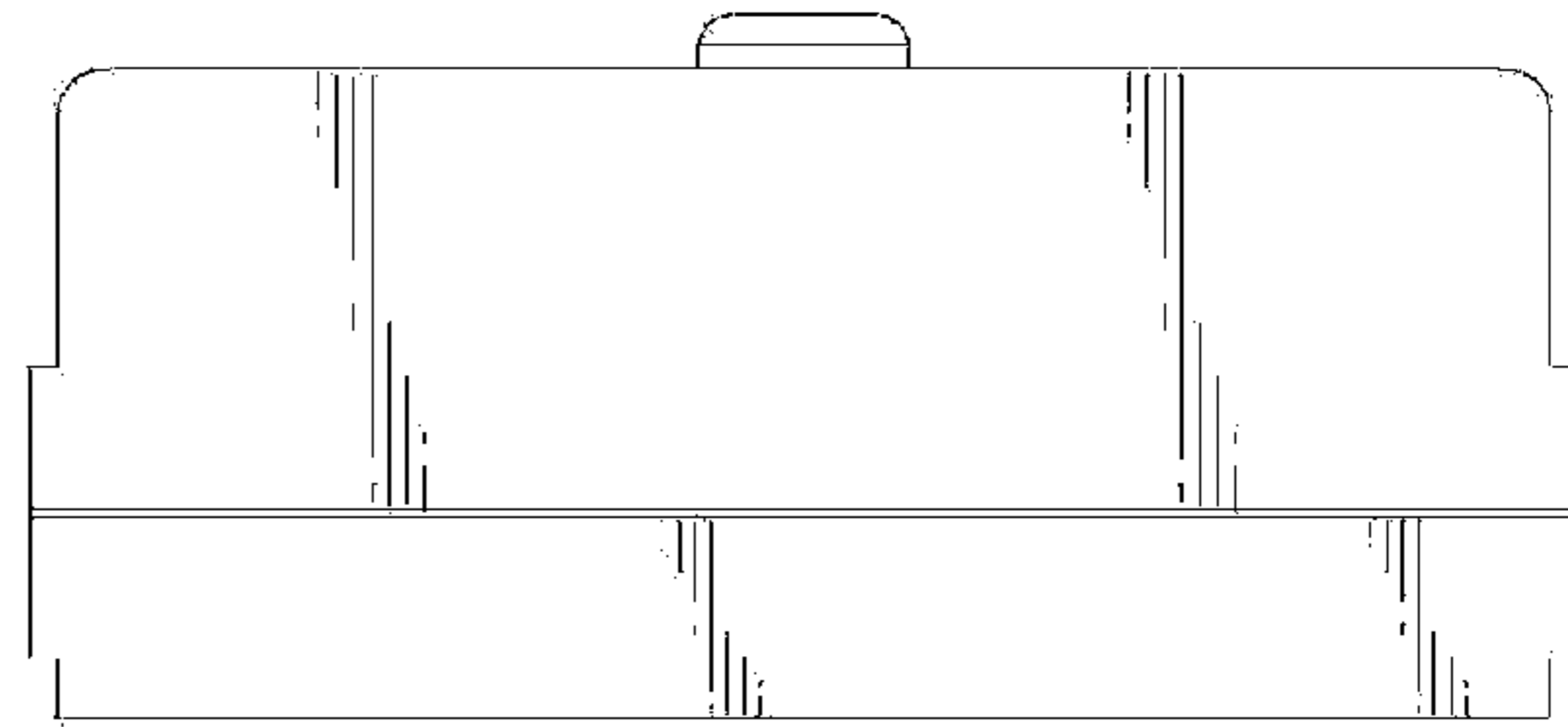


Fig. 4

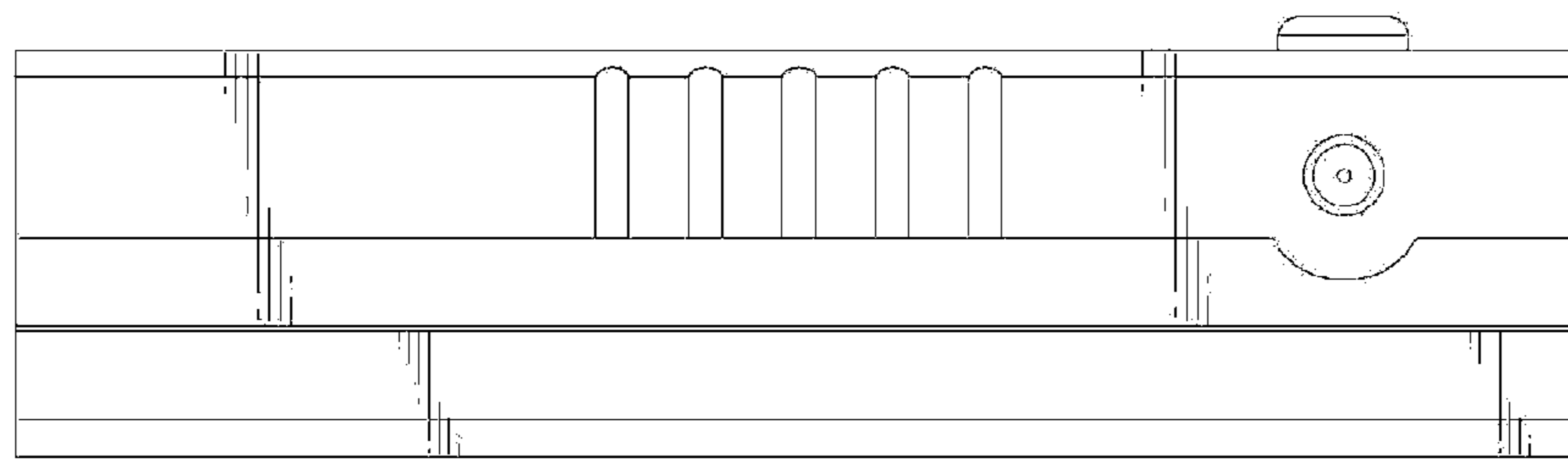


Fig. 5

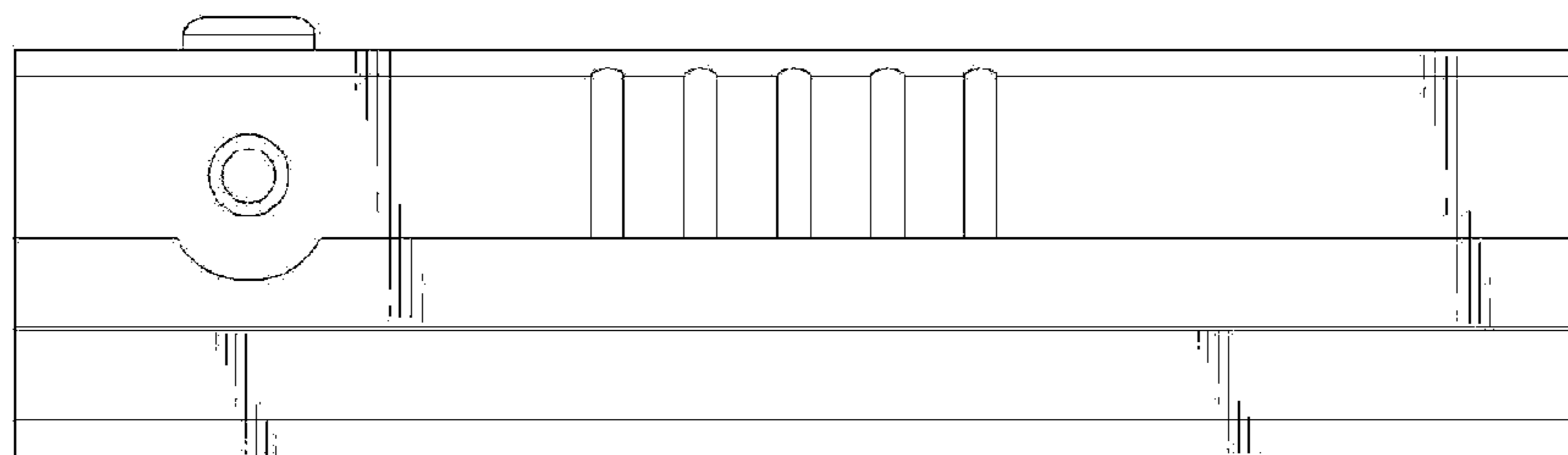


Fig. 6

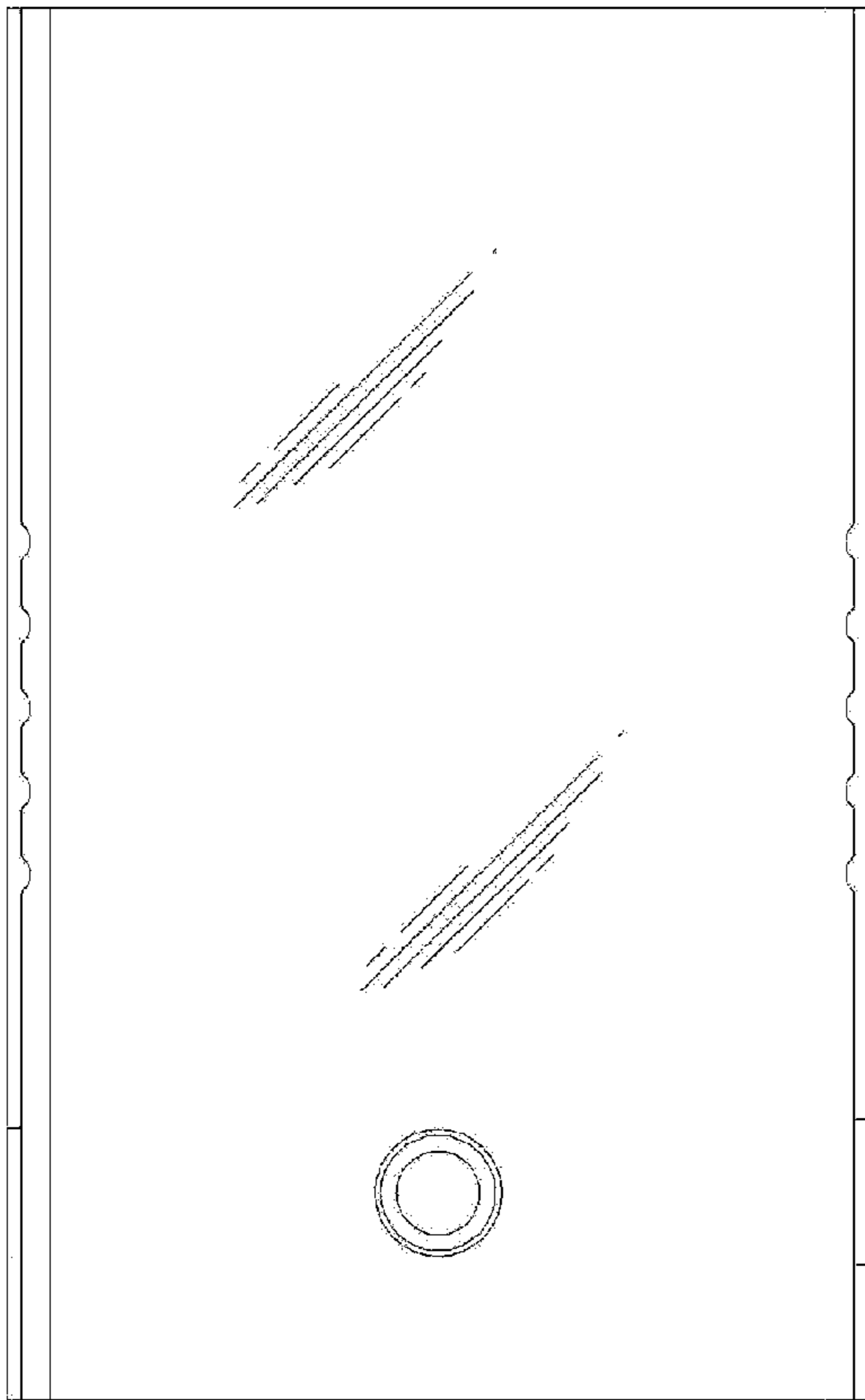


Fig. 7

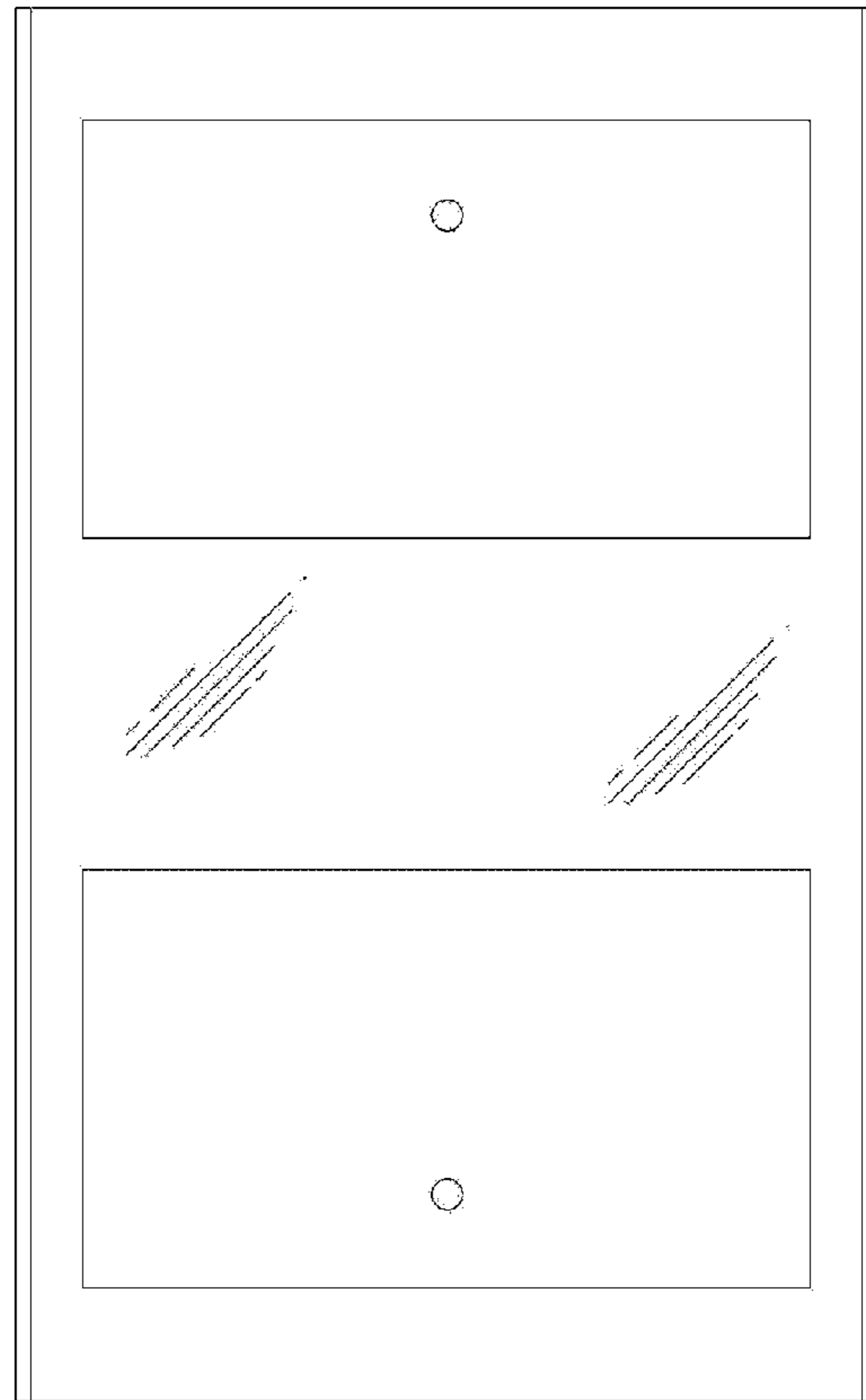


Fig. 8

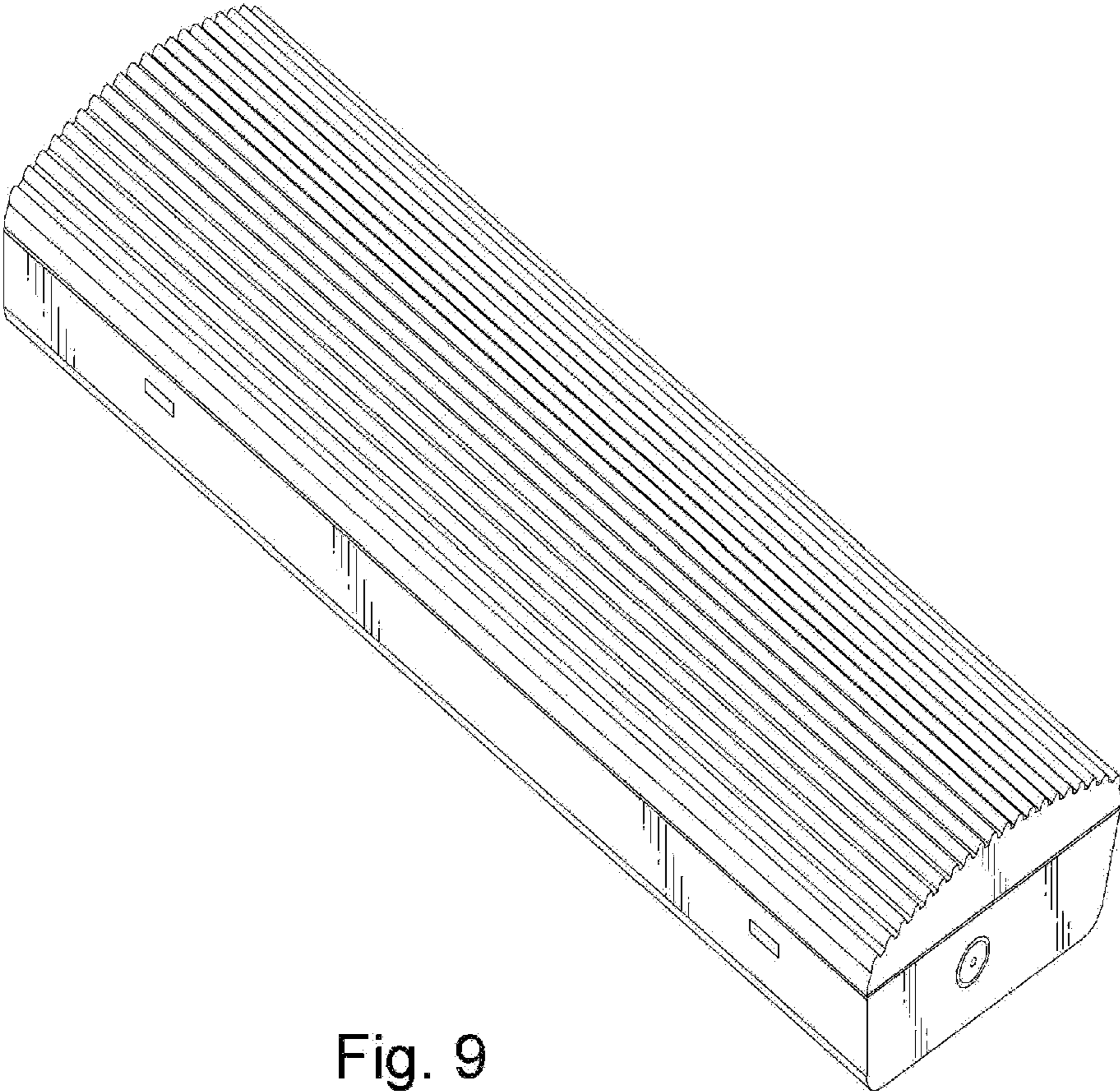


Fig. 9

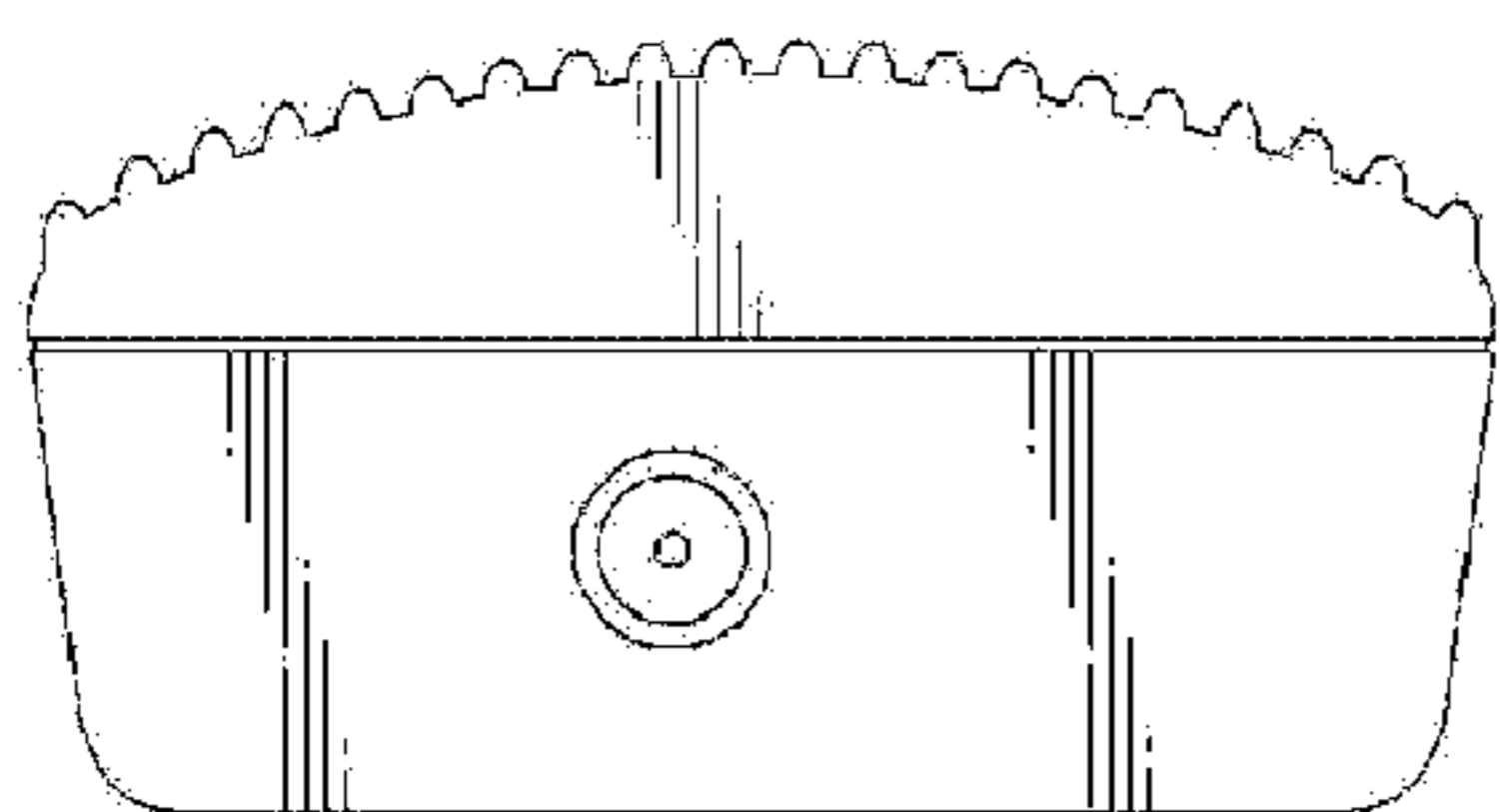


Fig. 10

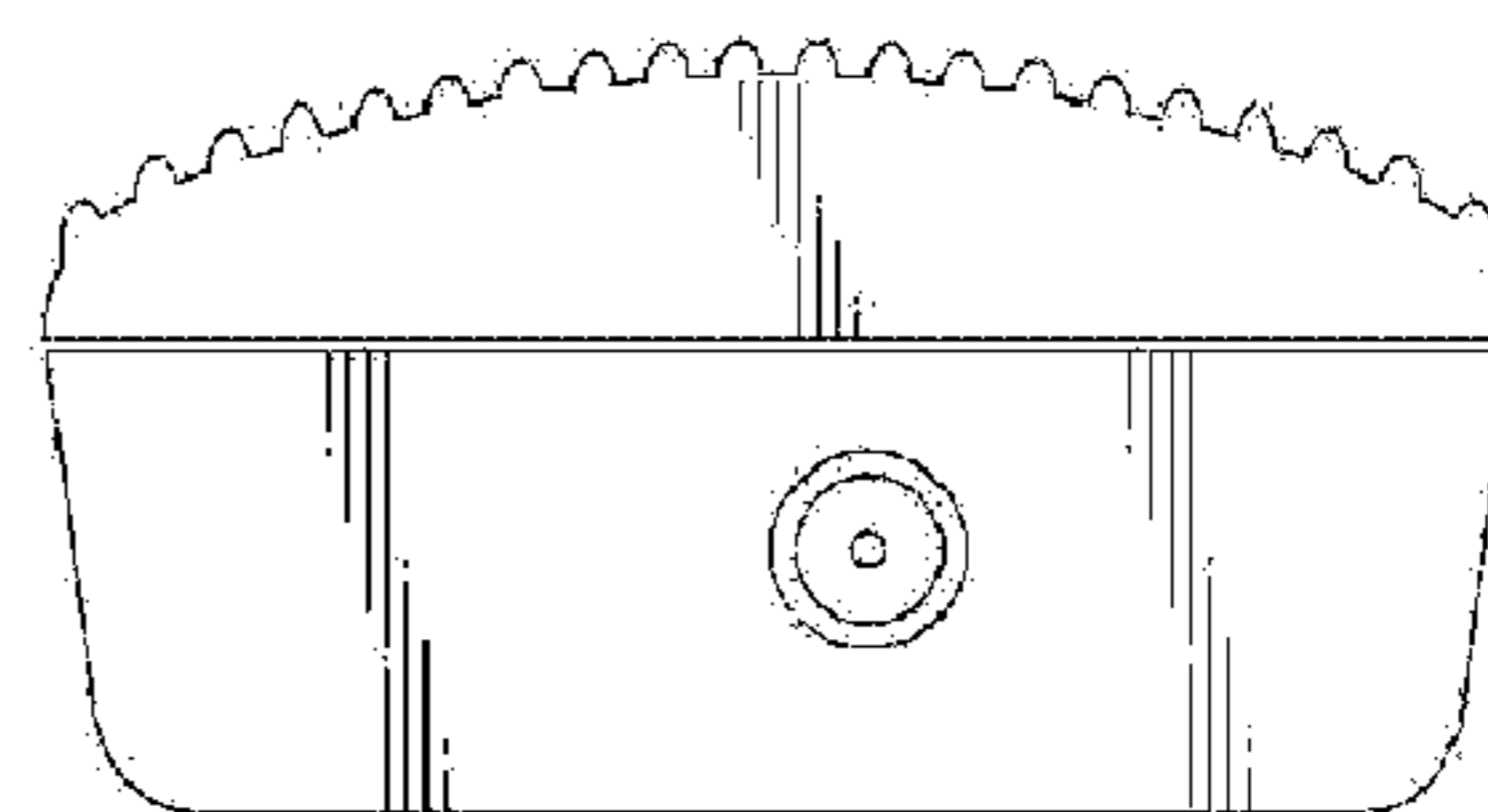


Fig. 11

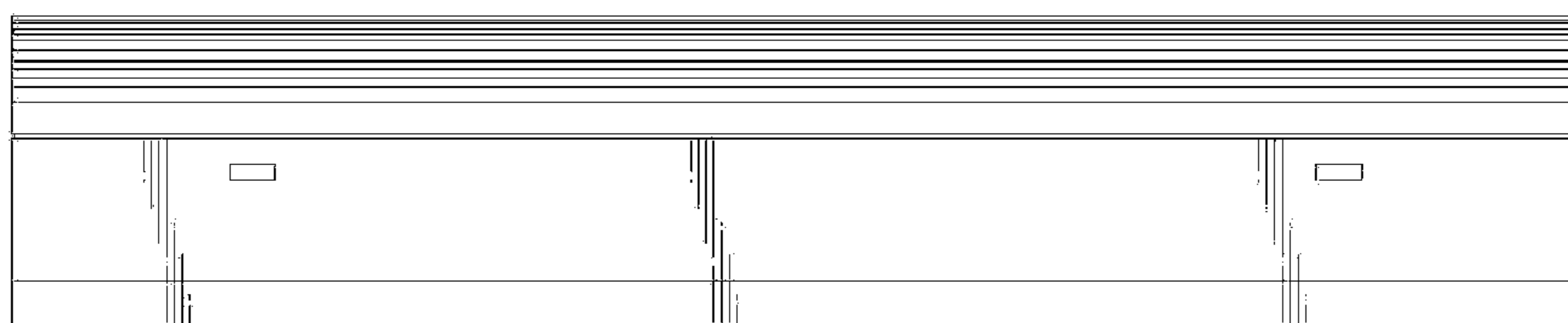


Fig. 12

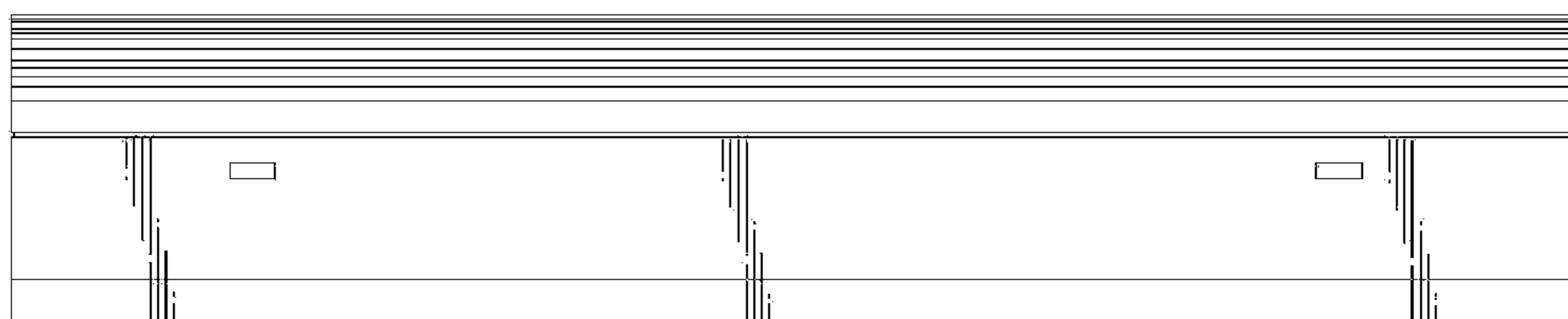


Fig. 13

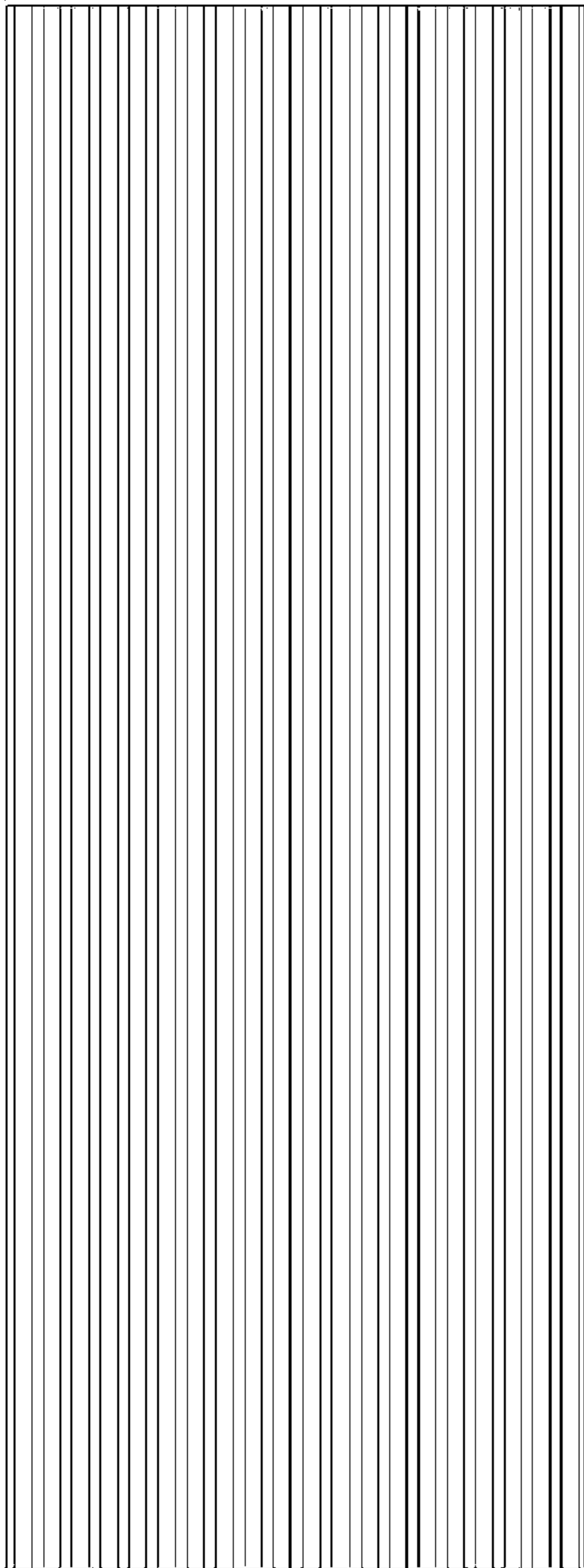


Fig. 14

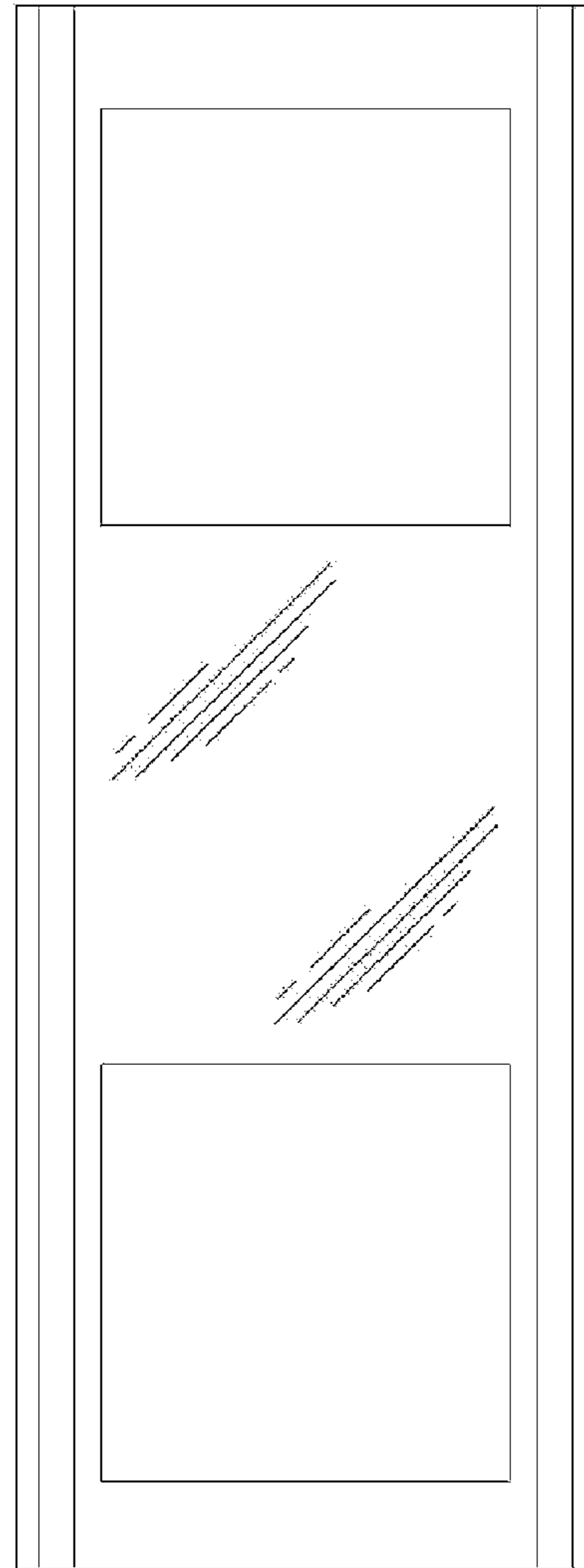


Fig. 15

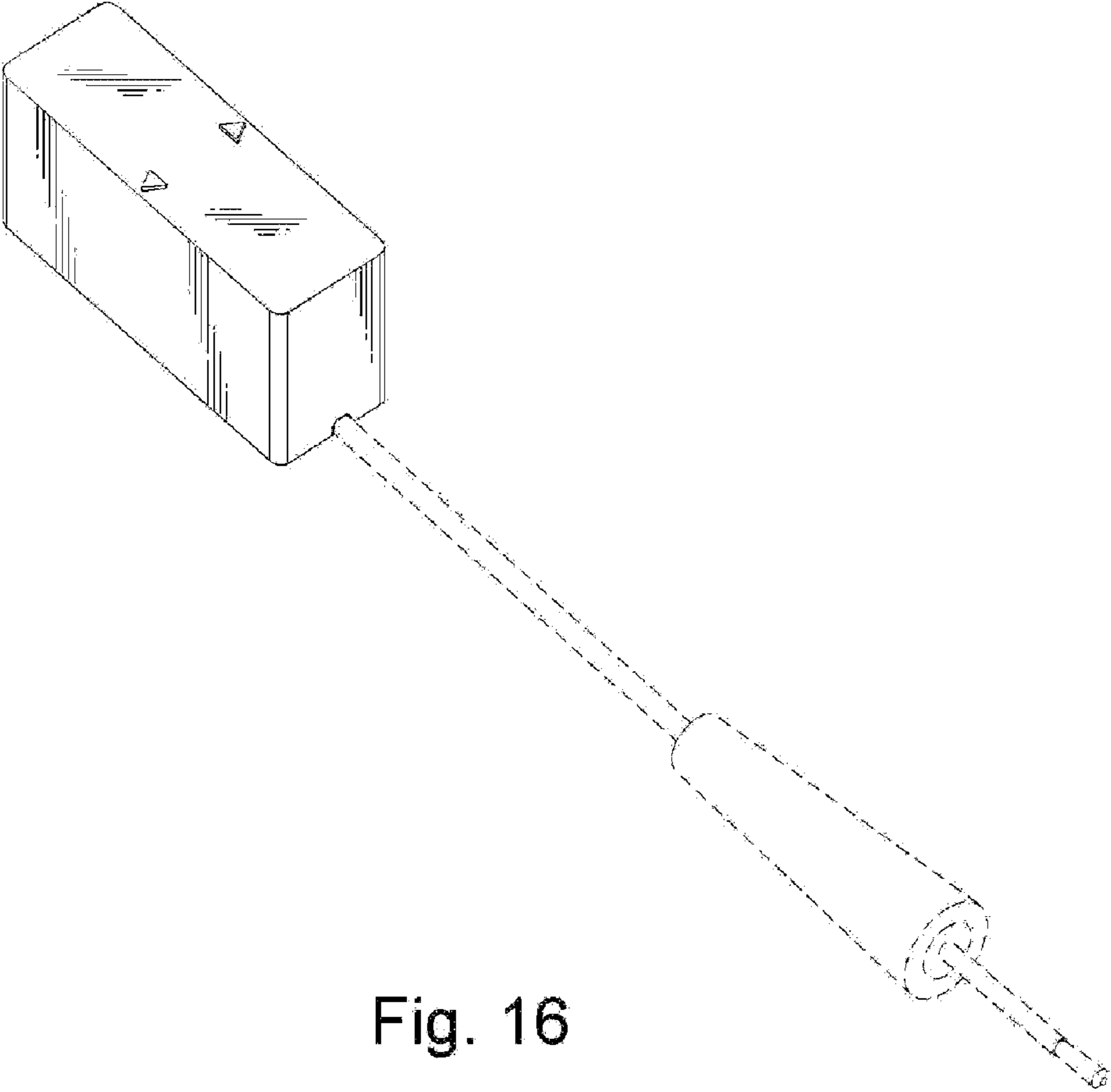


Fig. 16

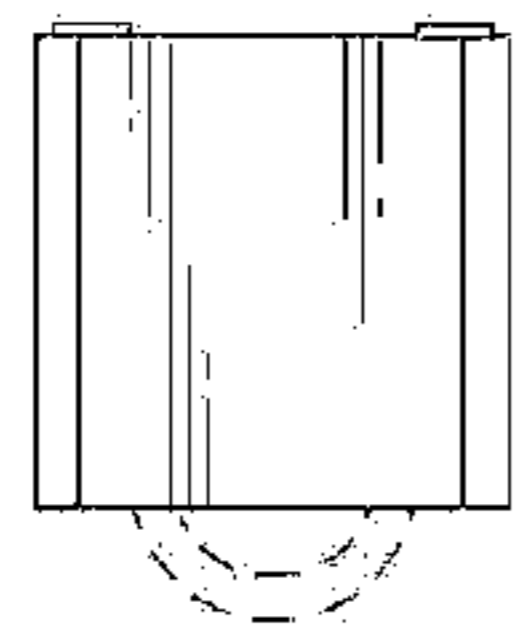


Fig. 17

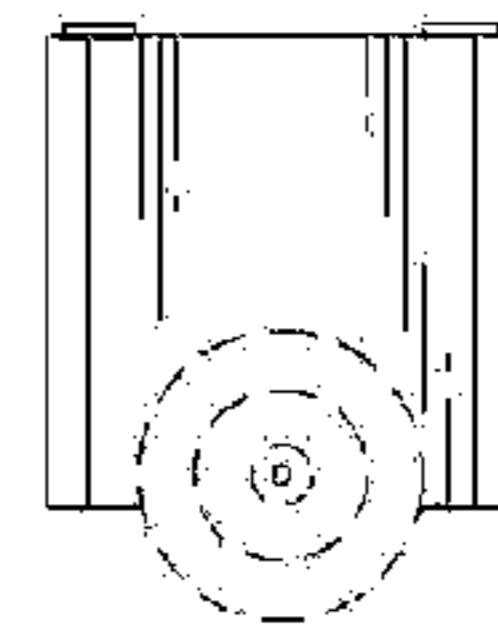


Fig. 18

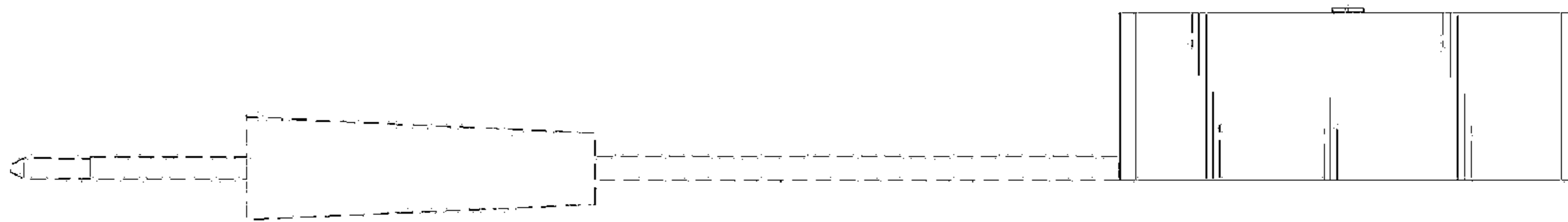


Fig. 19

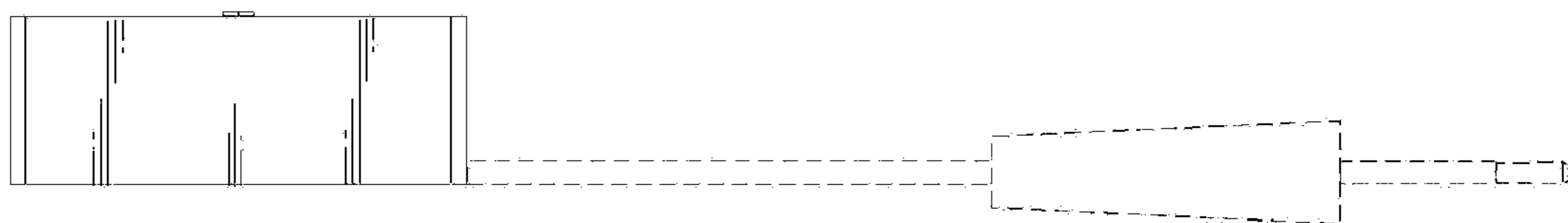


Fig. 20

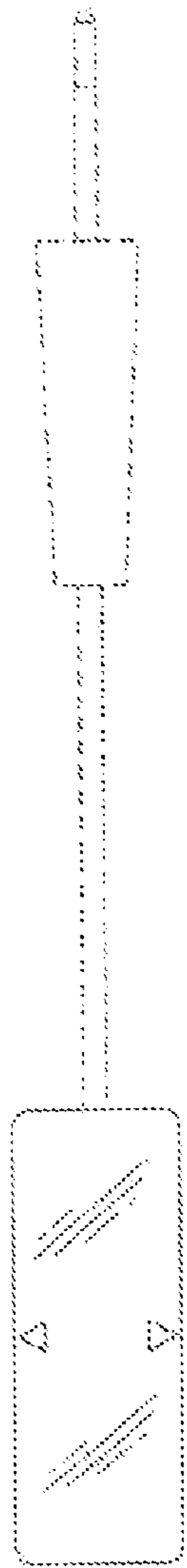


Fig. 21

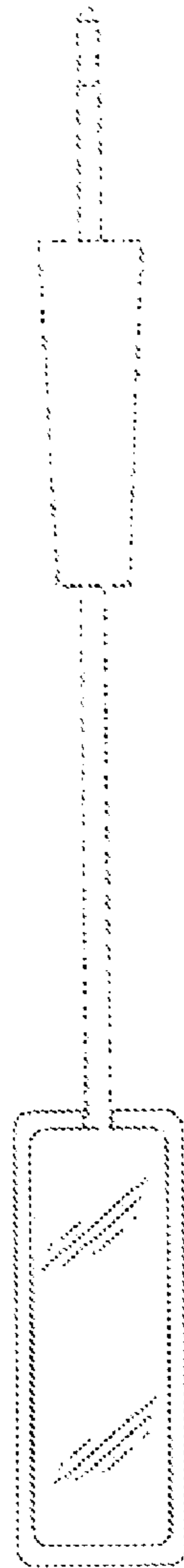


Fig. 22