



US00D604869S

(12) **United States Design Patent**
Kubicek

(10) **Patent No.:** **US D604,869 S**

(45) **Date of Patent:** **** *Nov. 24, 2009**

(54) **CANDLE HOLDER**

(75) Inventor: **Chris A. Kubicek**, East Troy, WI (US)

(73) Assignee: **S.C. Johnson & Son, Inc.**, Racine, WI (US)

(*) Notice: This patent is subject to a terminal disclaimer.

(**) Term: **14 Years**

(21) Appl. No.: **29/281,708**

(22) Filed: **Jun. 29, 2007**

Related U.S. Application Data

(63) Continuation-in-part of application No. 29/248,986, filed on Sep. 14, 2006.

(51) **LOC (9) Cl.** **26-01**

(52) **U.S. Cl.** **D26/9**

(58) **Field of Classification Search** D26/5, D26/6, 7, 9, 10, 11, 12, 13, 14, 15, 16, 17, D26/18, 19, 20, 21, 22, 23, 114–137; D11/117, D11/121, 125, 131; 428/7–9, 11; 431/291, 431/311, 320, 298; 362/161–163, 351; D7/523, D7/509

See application file for complete search history.

(56) **References Cited**

U.S. PATENT DOCUMENTS

1,065,364	A	6/1913	Henn	
D216,142	S *	11/1969	Gribbens	D7/523
3,730,385	A *	5/1973	Rost	206/520
4,759,699	A	7/1988	Rubarth	
4,926,298	A	5/1990	Zimmerman	
5,651,669	A	7/1997	Henry	
D393,910	S	4/1998	Chambers et al.	
6,039,563	A	3/2000	Hardy	
6,062,847	A	5/2000	Pappas	
D442,709	S	5/2001	Klett et al.	
6,631,756	B1	4/2002	Toohev	
D469,893	S	2/2003	Shen	

6,991,452	B1 *	1/2006	Semaan	431/291
D523,693	S *	6/2006	Bodum	D7/523
D533,952	S	12/2006	Adams et al.	
D553,909	S *	10/2007	Bodum	D7/523
7,318,724	B2 *	1/2008	Kubicek et al.	431/289
D576,750	S *	9/2008	Adams et al.	D26/9
D576,751	S *	9/2008	Adams et al.	D26/9
2006/0057526	A1	3/2006	Kubicek et al.	
2006/0057528	A1 *	3/2006	Kubicek	431/292

OTHER PUBLICATIONS

- U.S. Appl. No. 29/234,510, filed Jul. 19, 2005, Adams et al.
- U.S. Appl. No. 29/242,436, filed Nov. 10, 2005, Adams et al.
- U.S. Appl. No. 29/242,441, filed Nov. 10, 2005, Kubicek et al.
- U.S. Appl. No. 29/242,571, filed Nov. 10, 2005, Kubicek et al.
- U.S. Appl. No. 29/242,572, filed Nov. 10, 2005, Kubicek et al.

* cited by examiner

Primary Examiner—T. Chase Nelson
Assistant Examiner—Ania K Dworzecka

(57) **CLAIM**

An ornamental design for a candle holder, as shown and described.

DESCRIPTION

The present invention is a candle holder that can hold burnable candles and/or associated wick structures, particularly where the candles are designed to project light and dispense actives such as insect repellents and fragrances.

FIG. 1 is a right, top, frontal perspective view of my new design;

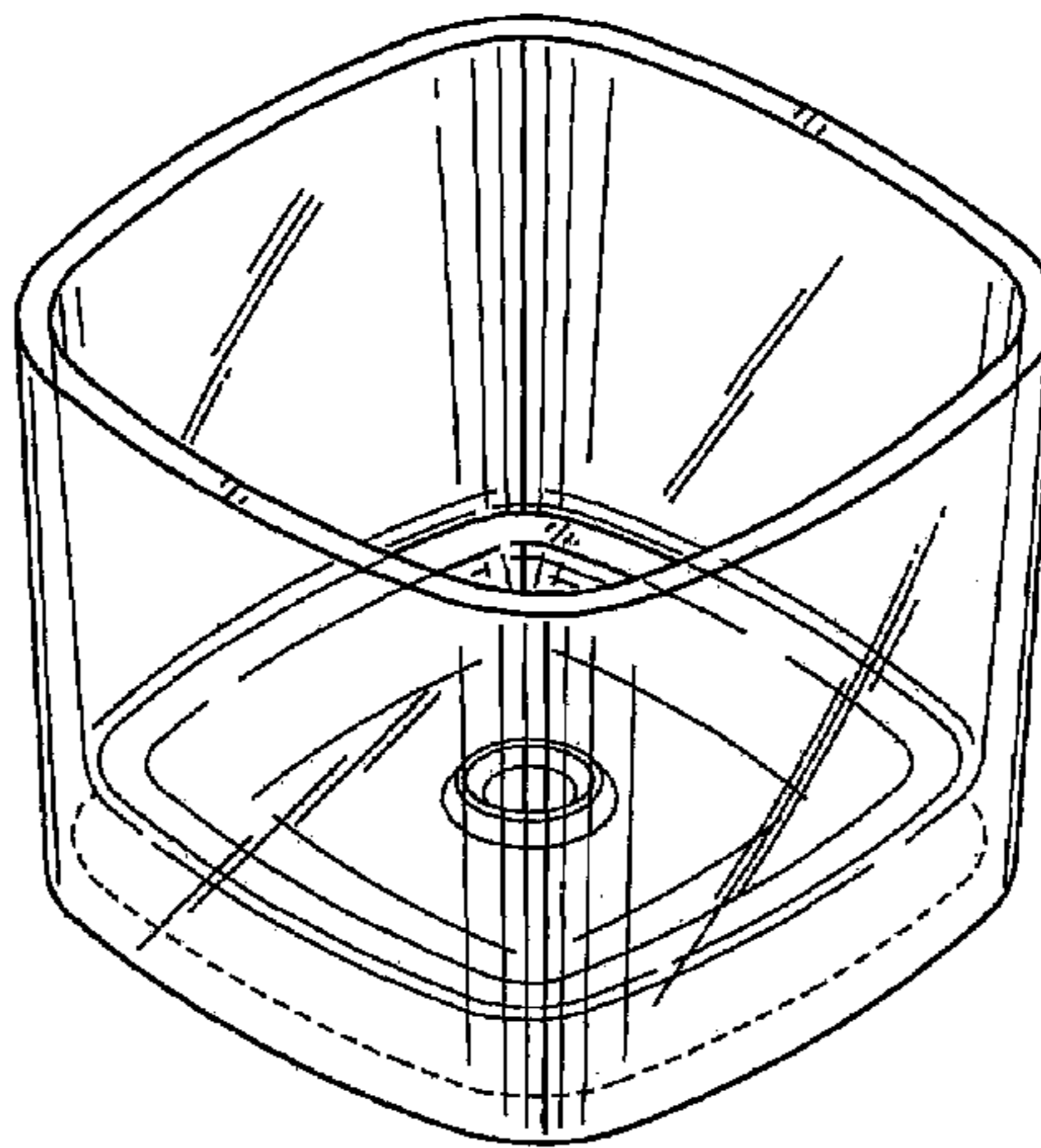
FIG. 2 is a right side view thereof, the left side elevational view being a mirror image thereof;

FIG. 3 is a top plan view thereof; and,

FIG. 4 is a top plan view of the embodiment of FIG. 1, albeit showing the environment of surface ornamentation that optionally can be used therewith.

The broken line representations of surface ornamentation in FIG. 4, and of a recessed area on the bottom of the holder in FIGS. 1 and 2, are for purposes of illustration only, and form no part of the claim.

1 Claim, 3 Drawing Sheets



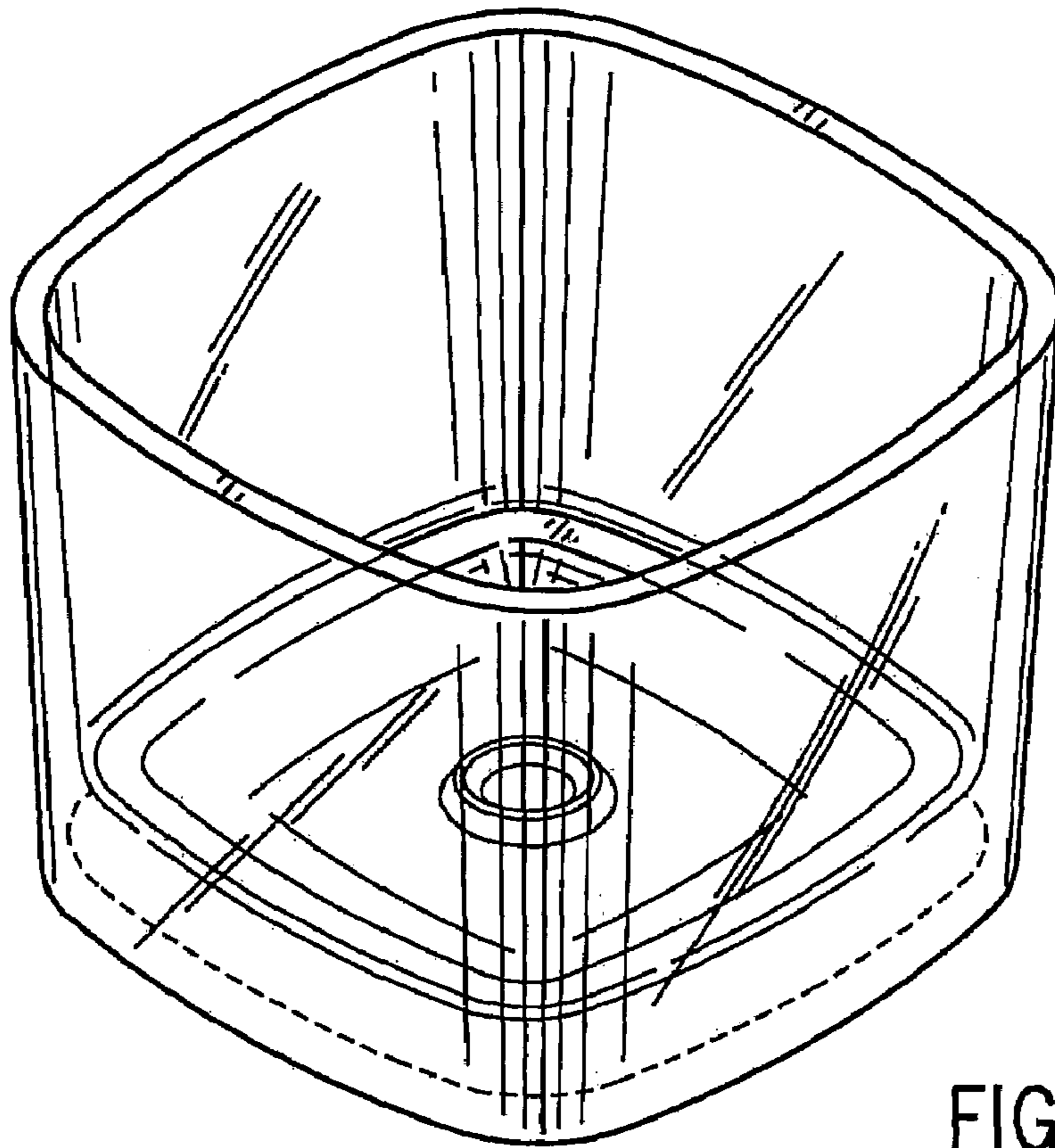


FIG. 1

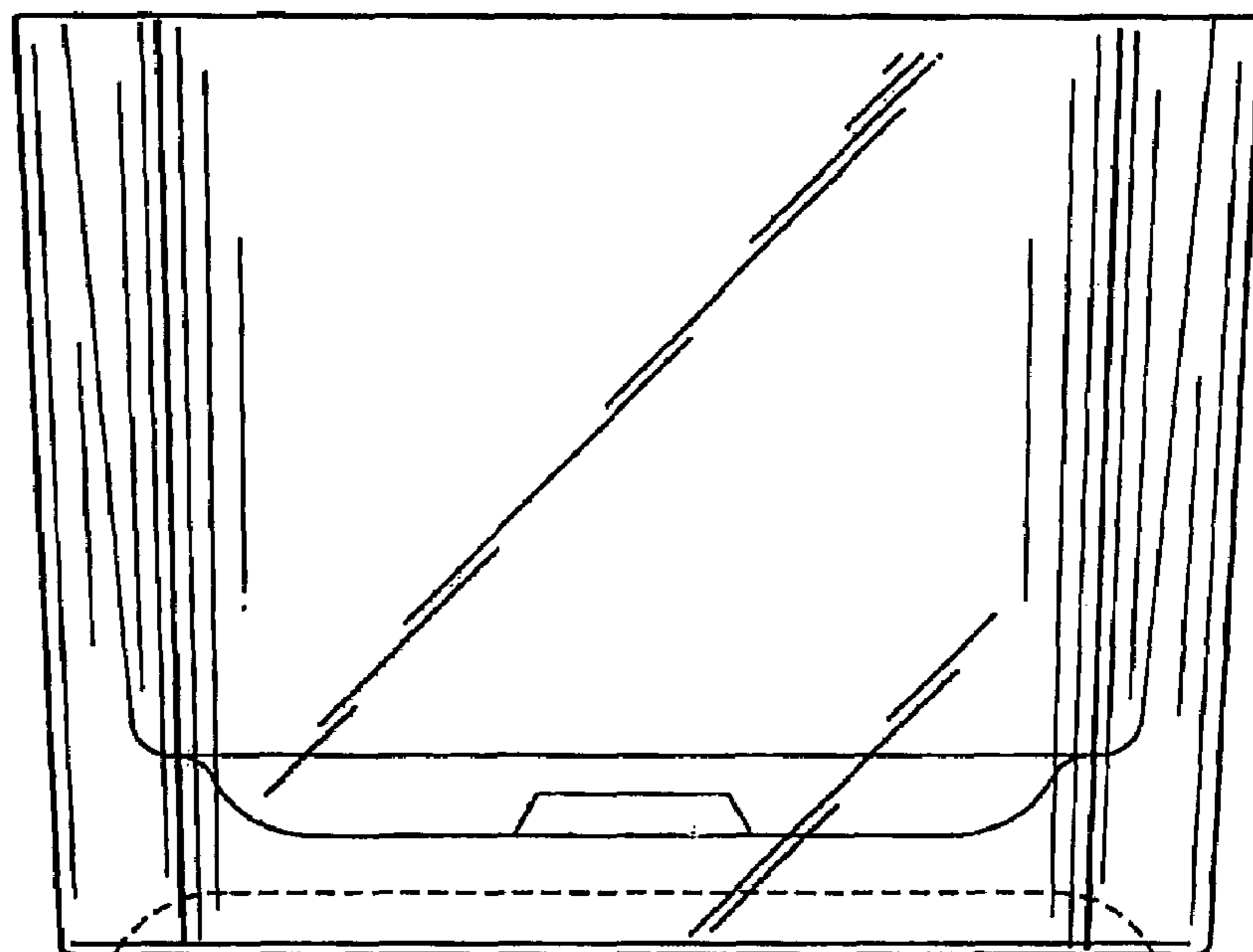


FIG. 2

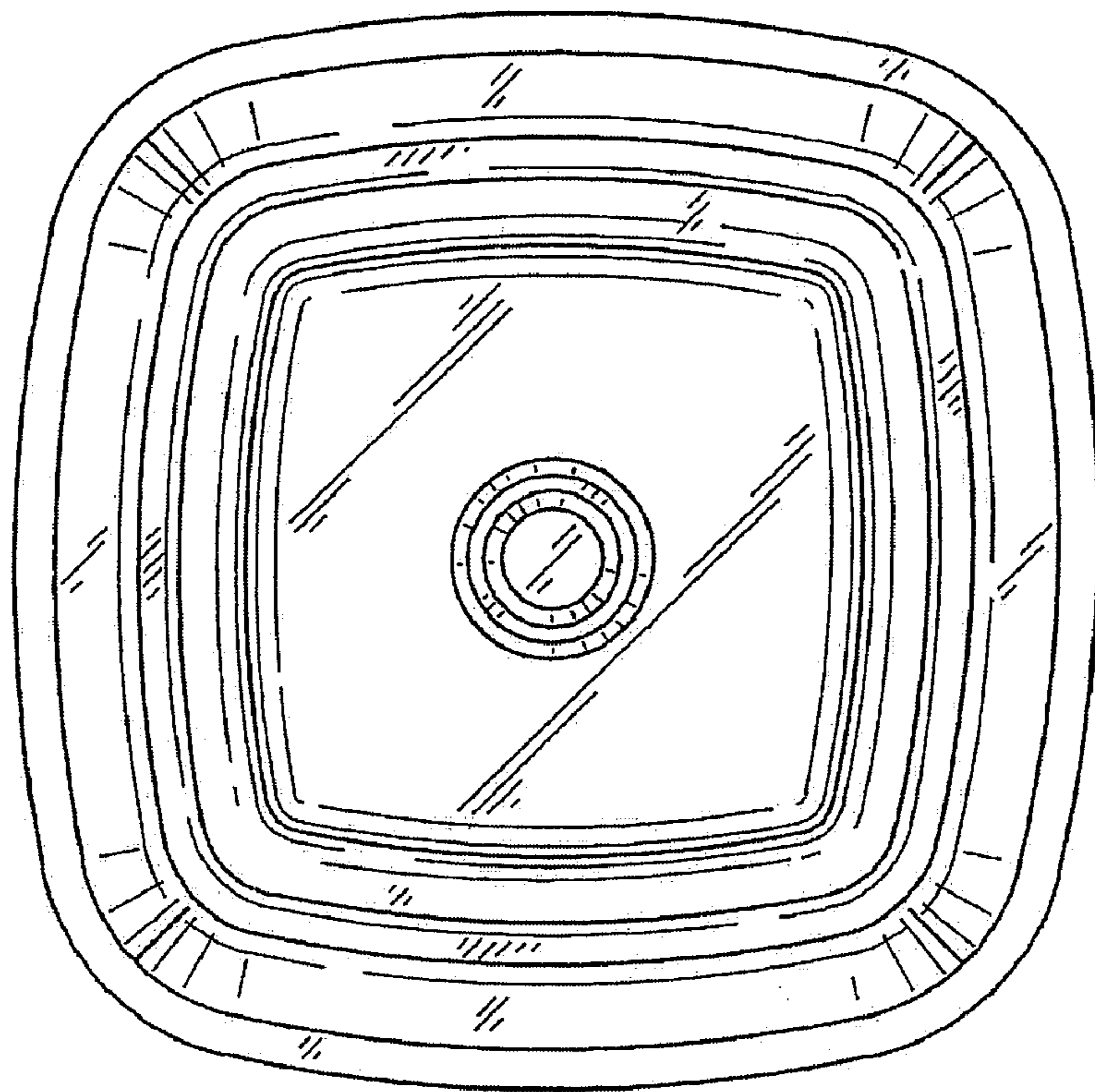


FIG. 3

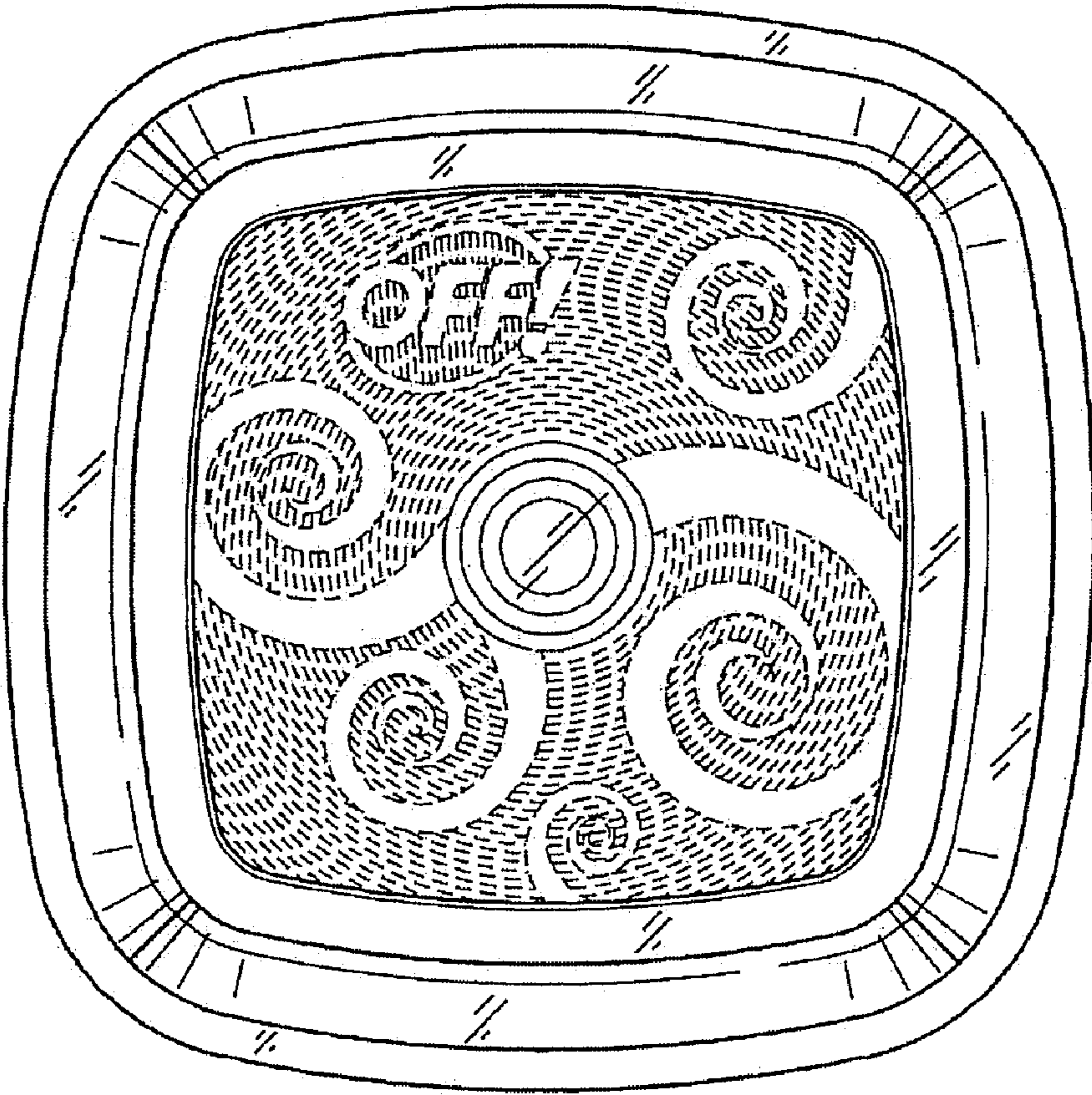


FIG. 4