



US00D604865S

(12) **United States Design Patent**  
**Rainey**

(10) **Patent No.:** **US D604,865 S**

(45) **Date of Patent:** **\*\* Nov. 24, 2009**

(54) **RETAINING WALL BLOCK**

D530,832 S \* 10/2006 Rainey ..... D25/114  
7,114,887 B1 \* 10/2006 Rainey ..... 405/262

(76) Inventor: **Thomas L. Rainey**, 1427 Walcutt's Way,  
Marietta, GA (US) 30064

\* cited by examiner

(\*\*) Term: **14 Years**

*Primary Examiner*—T. Chase Nelson

*Assistant Examiner*—Anhdao Doan

(21) Appl. No.: **29/325,270**

(74) *Attorney, Agent, or Firm*—Thomas, Kayden,  
Horstemeyer & Risley, LLP

(22) Filed: **Sep. 29, 2008**

(57) **CLAIM**

(51) **LOC (9) Cl.** ..... **25-01**

The ornamental design for a retaining wall block, as shown  
and described.

(52) **U.S. Cl.** ..... **D25/114**

(58) **Field of Classification Search** ..... D25/102,  
D25/112–118, 136, 138, 152–162, 164; D21/484–491,  
D21/499–502; 405/16, 17, 33, 35, 284, 286;  
52/503–505, 574, 575, 596–605, 609–612;  
404/29–31

**DESCRIPTION**

See application file for complete search history.

FIG. 1 is a perspective view showing my new retaining wall  
block;

FIG. 2 is a front view thereof;

FIG. 3 is a right side view thereof; the left side view thereof  
being a mirror image of that which is shown,

FIG. 4 is a rear view thereof;

FIG. 5 is a top view thereof; and,

FIG. 6 is a bottom view thereof.

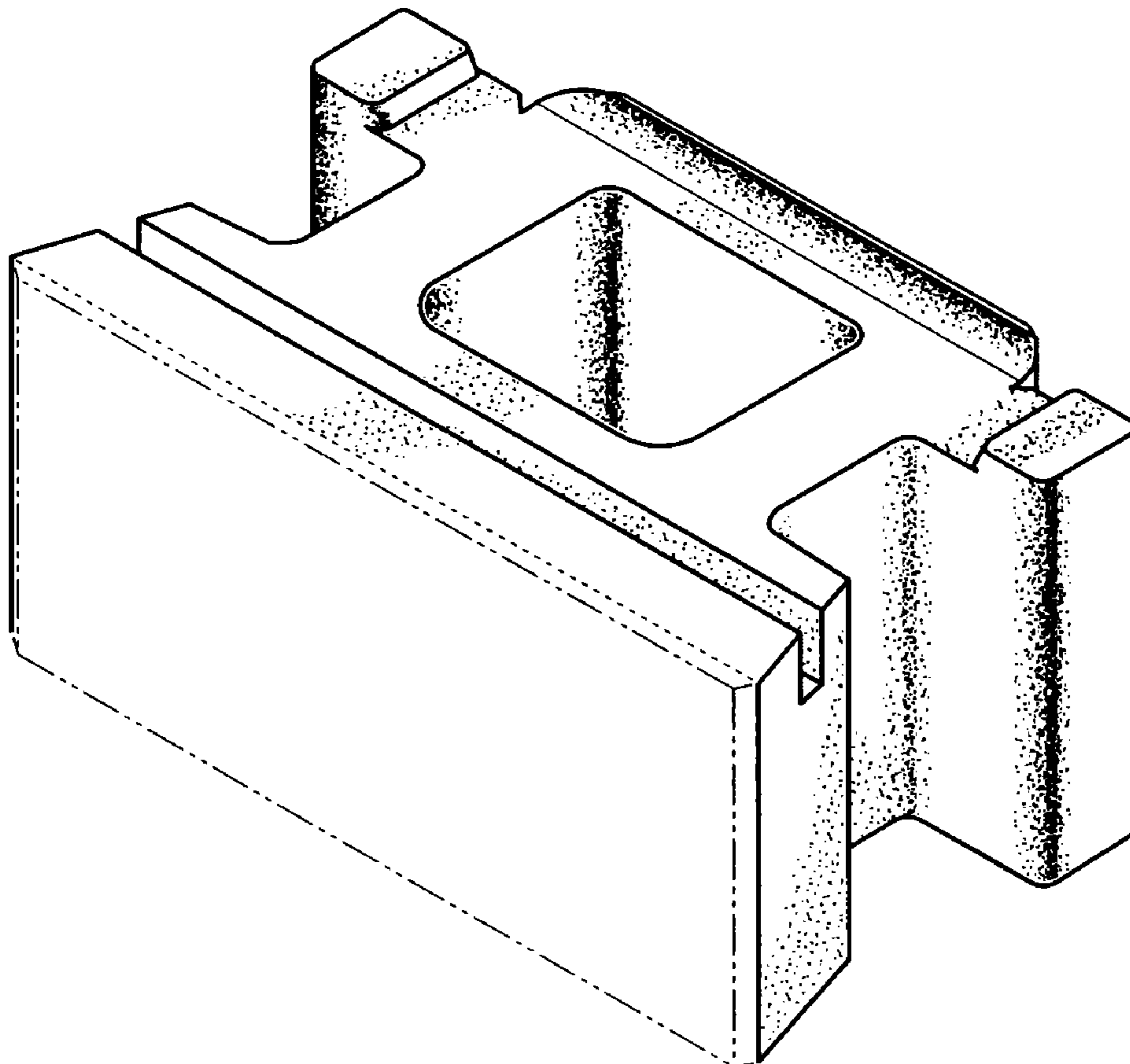
The broken lines in the drawings illustrate a portion of the  
retaining wall block that forms no part of the claimed design.

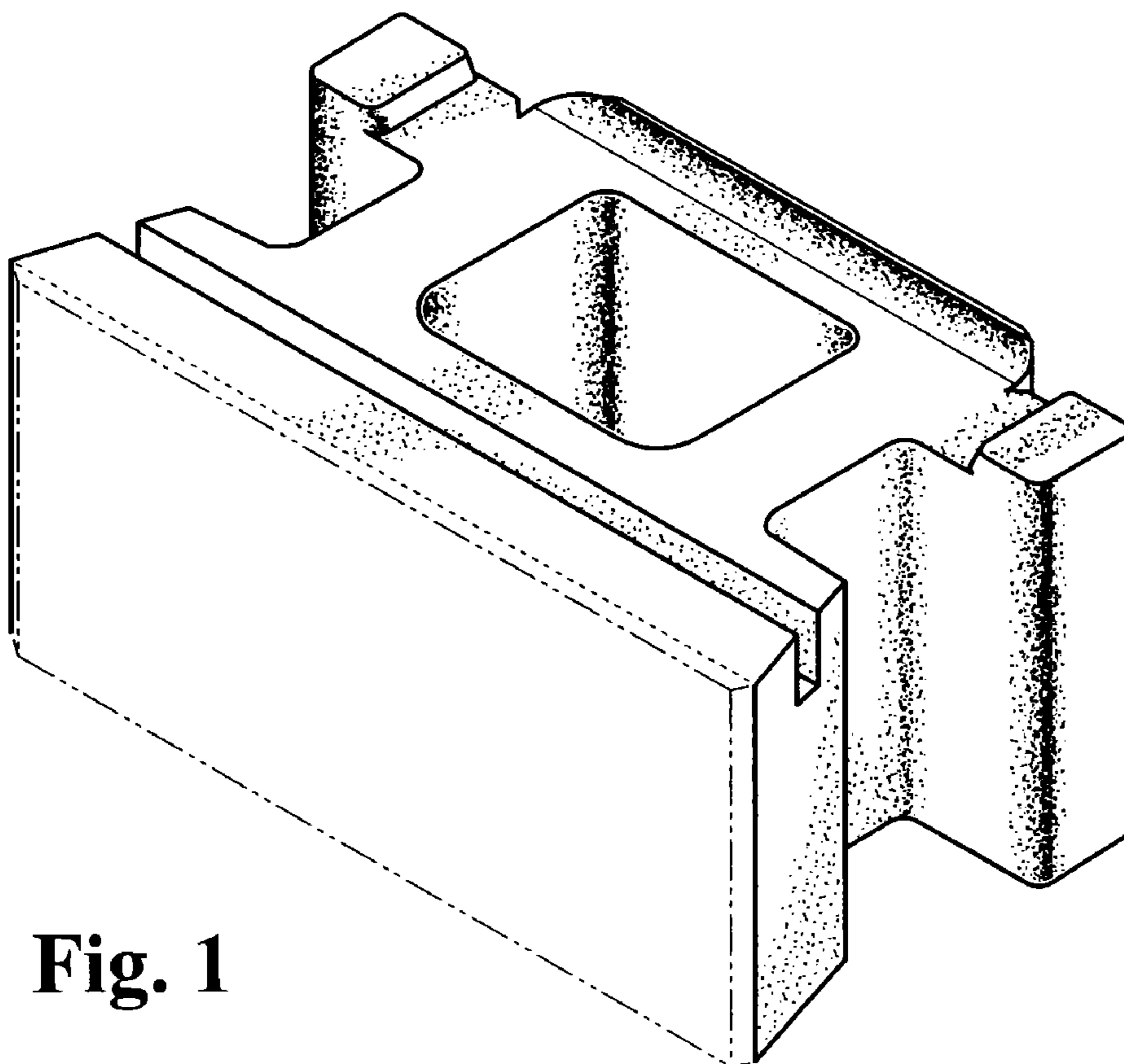
(56) **References Cited**

**U.S. PATENT DOCUMENTS**

5,257,880	A *	11/1993	Janopaul, Jr.	.....	405/284
D359,811	S *	6/1995	Nerison	.....	D25/118
5,951,210	A *	9/1999	Maguire et al.	.....	405/286
6,536,994	B2 *	3/2003	Race	.....	405/262
6,854,231	B2 *	2/2005	MacDonald et al.	.....	52/608
D526,067	S *	8/2006	Rainey	.....	D25/114
D527,113	S *	8/2006	Rainey	.....	D25/118

**1 Claim, 3 Drawing Sheets**

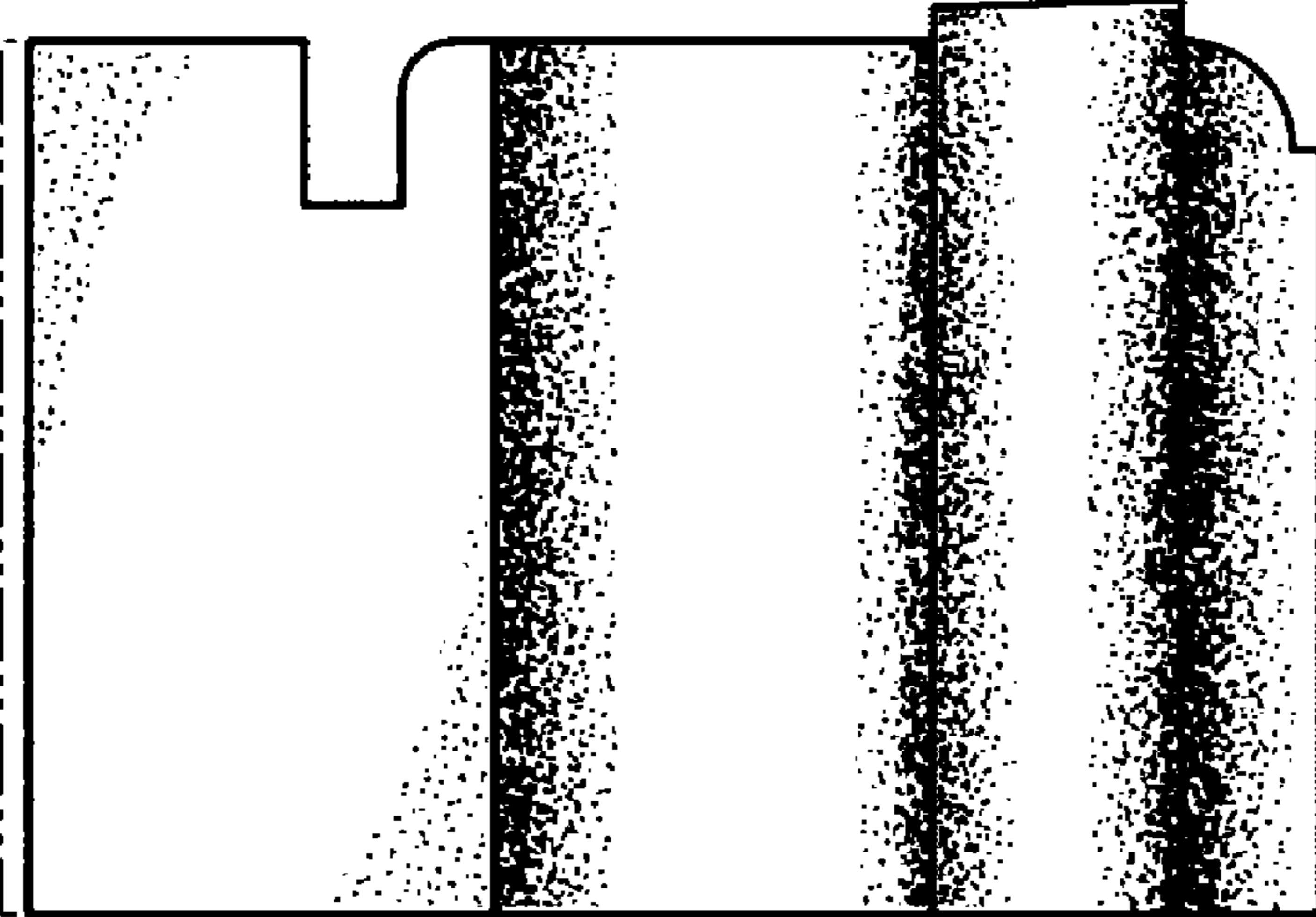




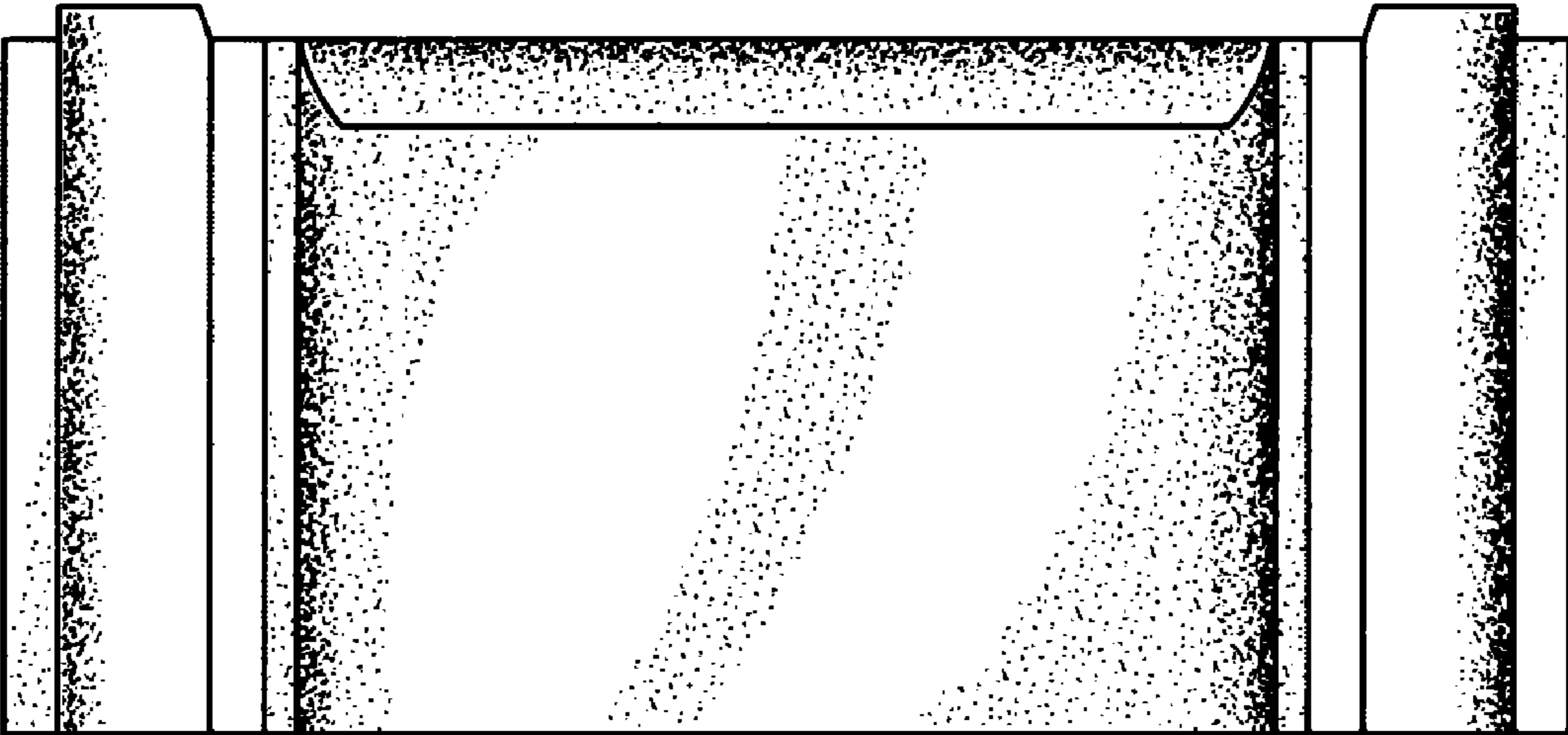
**Fig. 1**



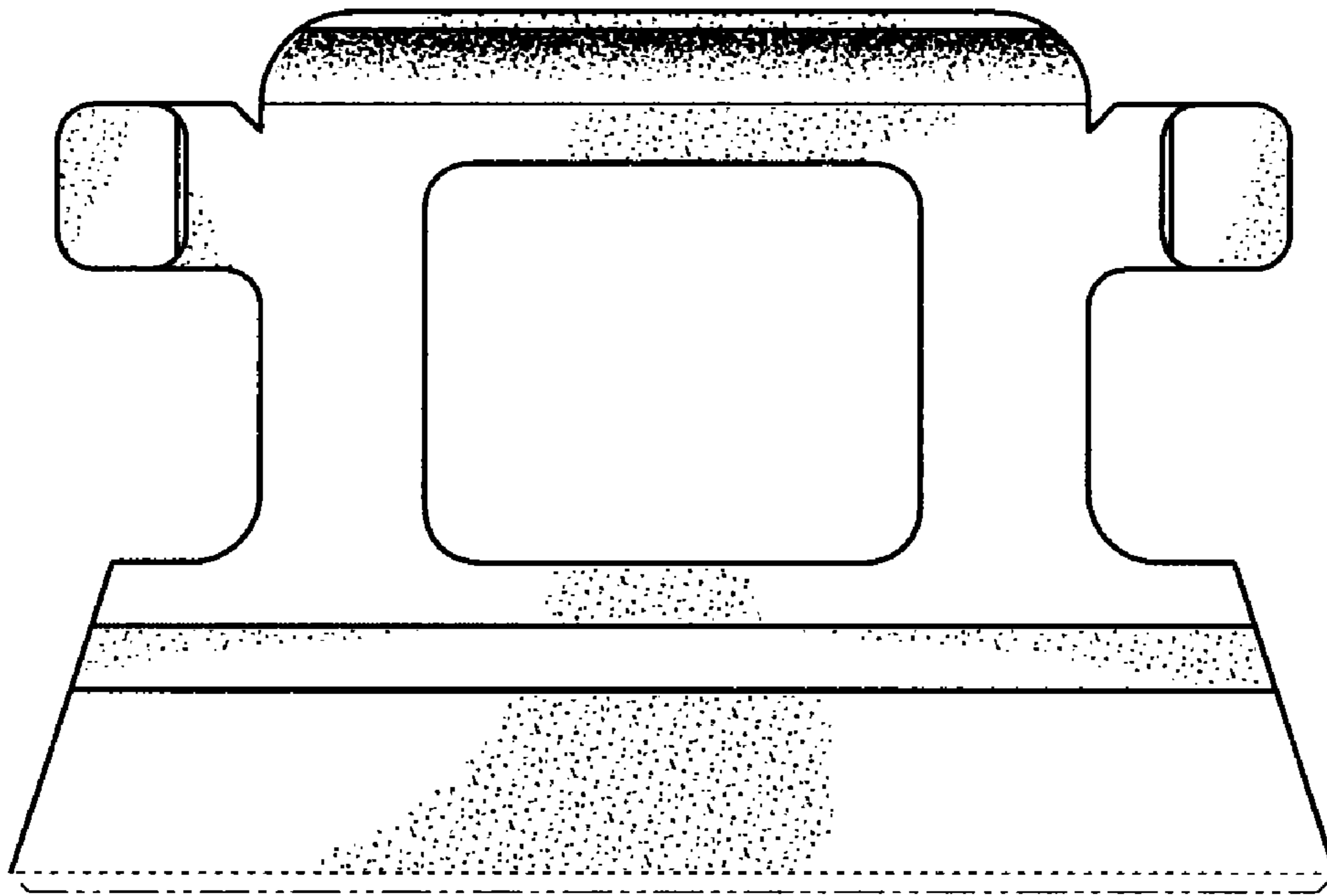
**Fig. 2**



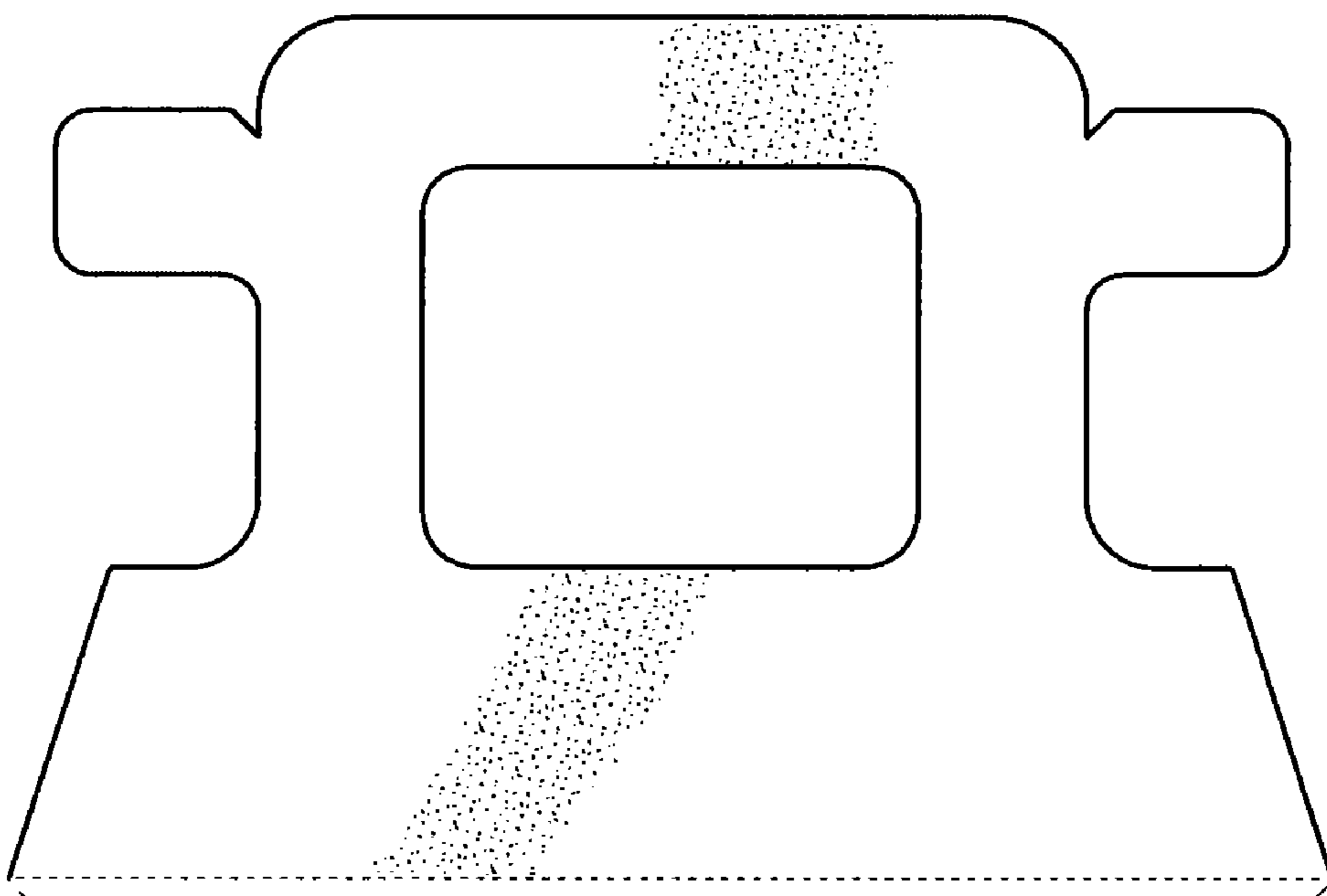
**Fig. 3**



**Fig. 4**



**Fig. 5**



**Fig. 6**