



US00D604863S

(12) **United States Design Patent**
Ray

(10) **Patent No.:** **US D604,863 S**

(45) **Date of Patent:** **** Nov. 24, 2009**

(54) **WINDOW**

(75) Inventor: **Jerry Ray**, Cleburne, TX (US)

(73) Assignee: **Rays Service & Sales, Inc.**, Alvarado, TX (US)

(**) Term: **14 Years**

(21) Appl. No.: **29/330,377**

(22) Filed: **Jan. 6, 2009**

(51) **LOC (9) Cl.** **25-02**

(52) **U.S. Cl.** **D25/52**

(58) **Field of Classification Search** D25/52;
49/61, 130, 158, 504, 501; 52/202, 205,
52/206, 204.5, 204.51

See application file for complete search history.

(56) **References Cited**

U.S. PATENT DOCUMENTS

- 3,403,490 A * 10/1968 Luedtke 52/204.55
- 3,526,996 A * 9/1970 Arthur et al. 49/504
- 4,324,072 A * 4/1982 Sterner, Jr. 49/129

- D301,379 S * 5/1989 Cicora D25/52
- 5,189,837 A * 3/1993 Ienaga 49/130
- 6,397,530 B1 * 6/2002 Terry et al. 52/204.1
- 7,032,348 B1 * 4/2006 Epps et al. 49/25

* cited by examiner

Primary Examiner—Doris Clark

(74) *Attorney, Agent, or Firm*—Italia IP; James A. Italia

(57) **CLAIM**

The ornamental design for a window, as shown and described.

DESCRIPTION

FIG. 1 is a perspective view of a window, showing my new design;

FIG. 2 is a front elevational view of the invention;

FIG. 3 is a rear elevational view of the invention;

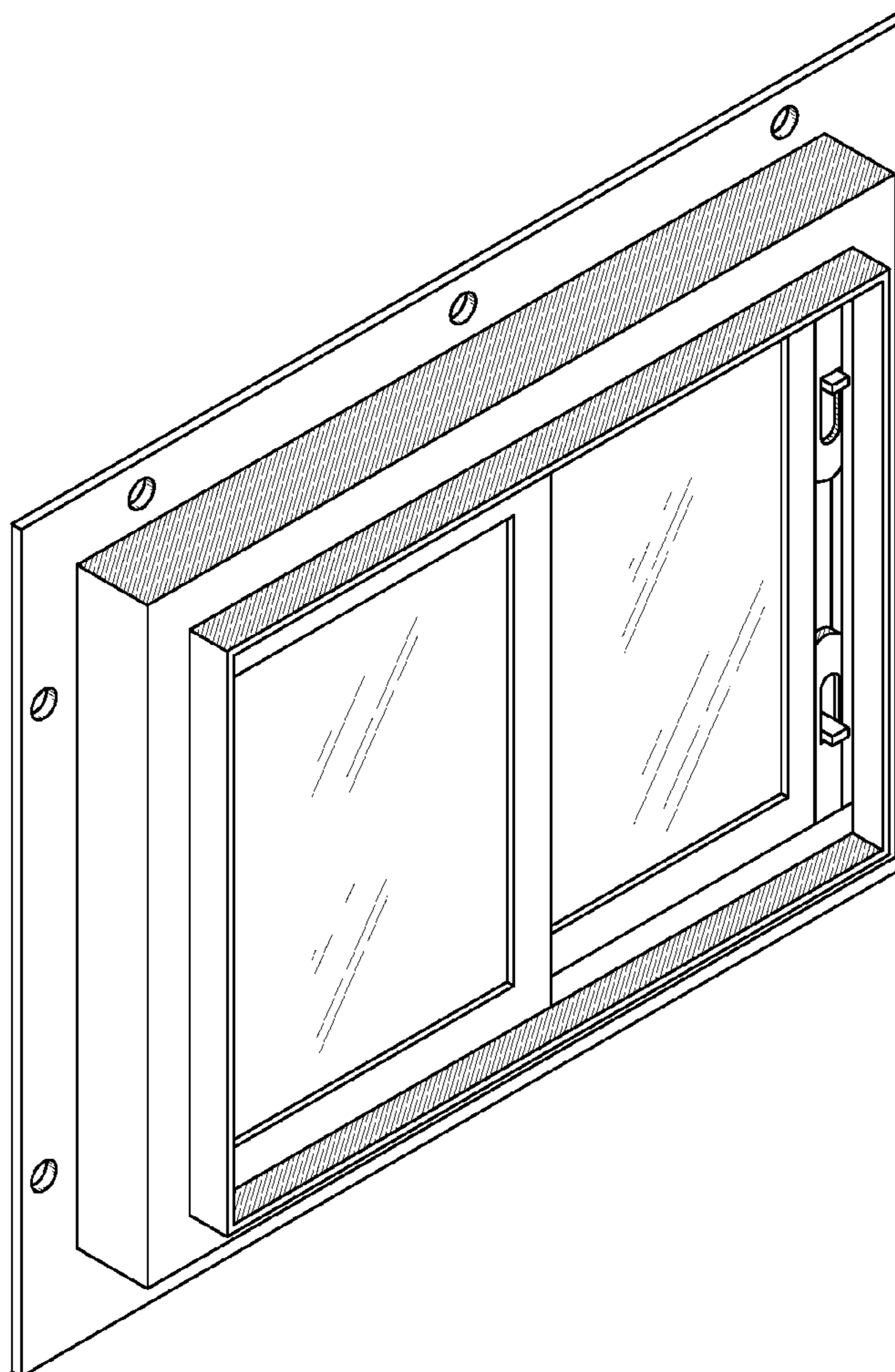
FIG. 4 is a right-side elevational view of the invention;

FIG. 5 is a left-side elevational view of the invention;

FIG. 6 is a top plan view of the invention; and,

FIG. 7 is a bottom plan view of the invention.

1 Claim, 3 Drawing Sheets



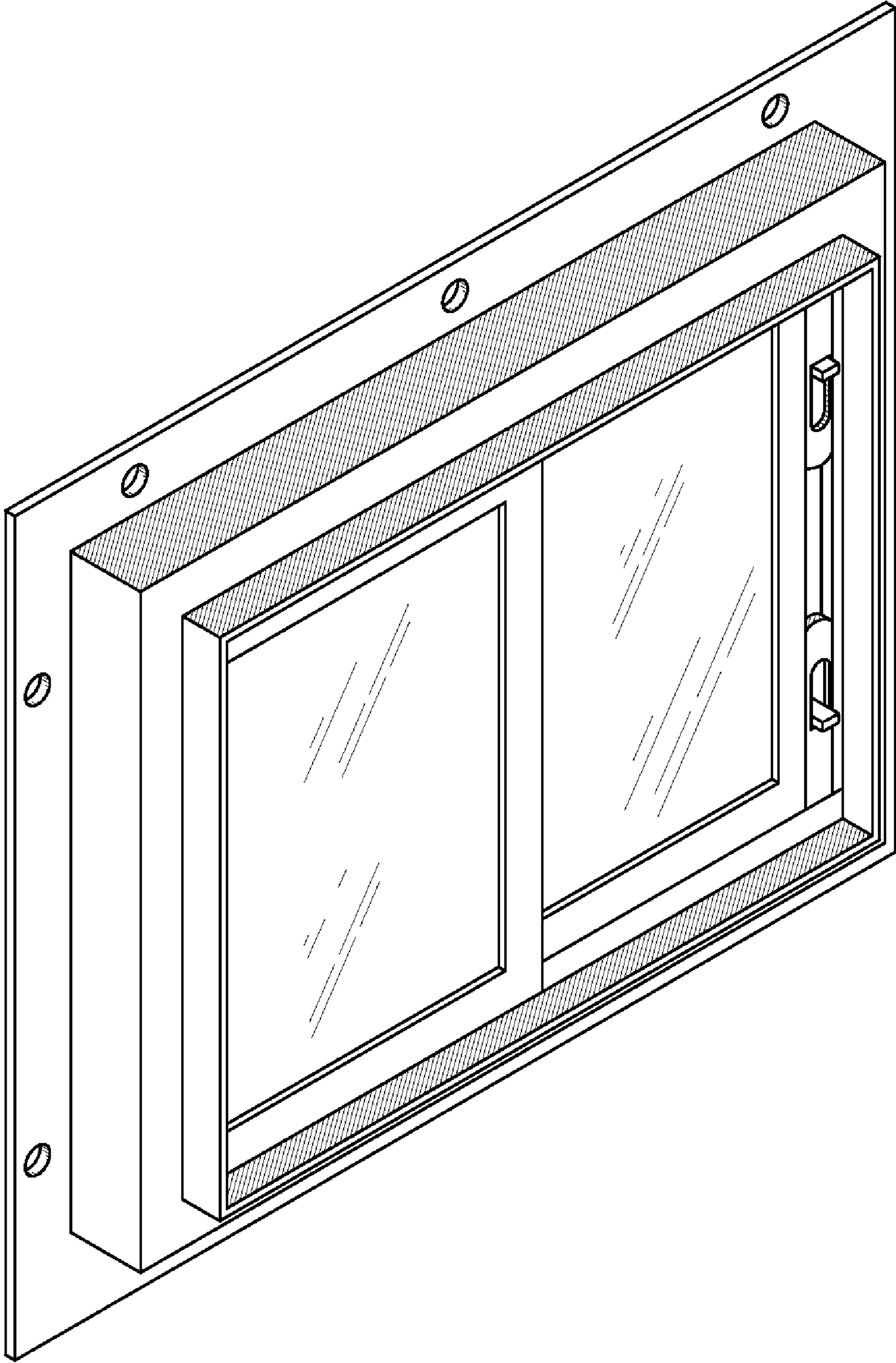


FIG. 1

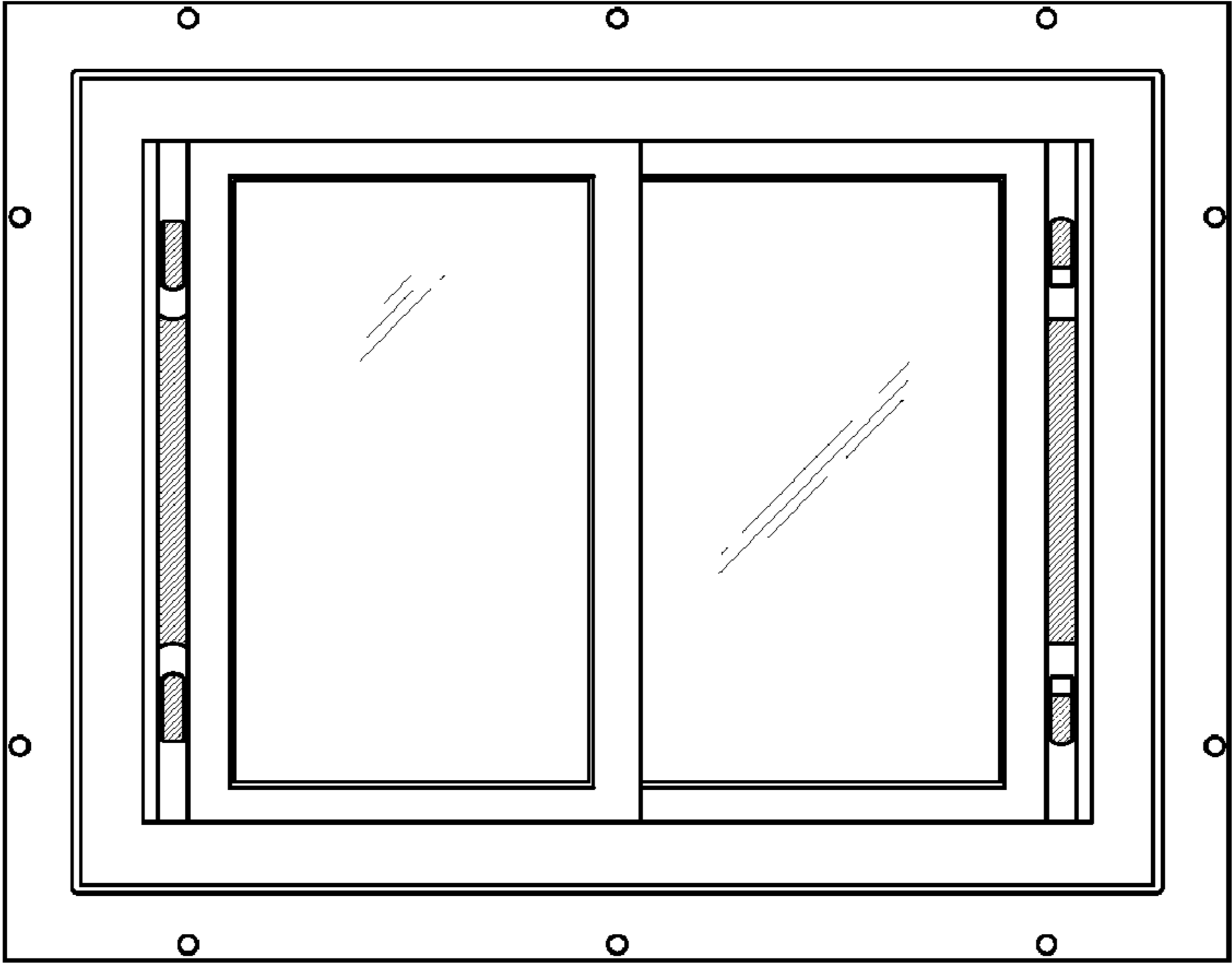


FIG. 2

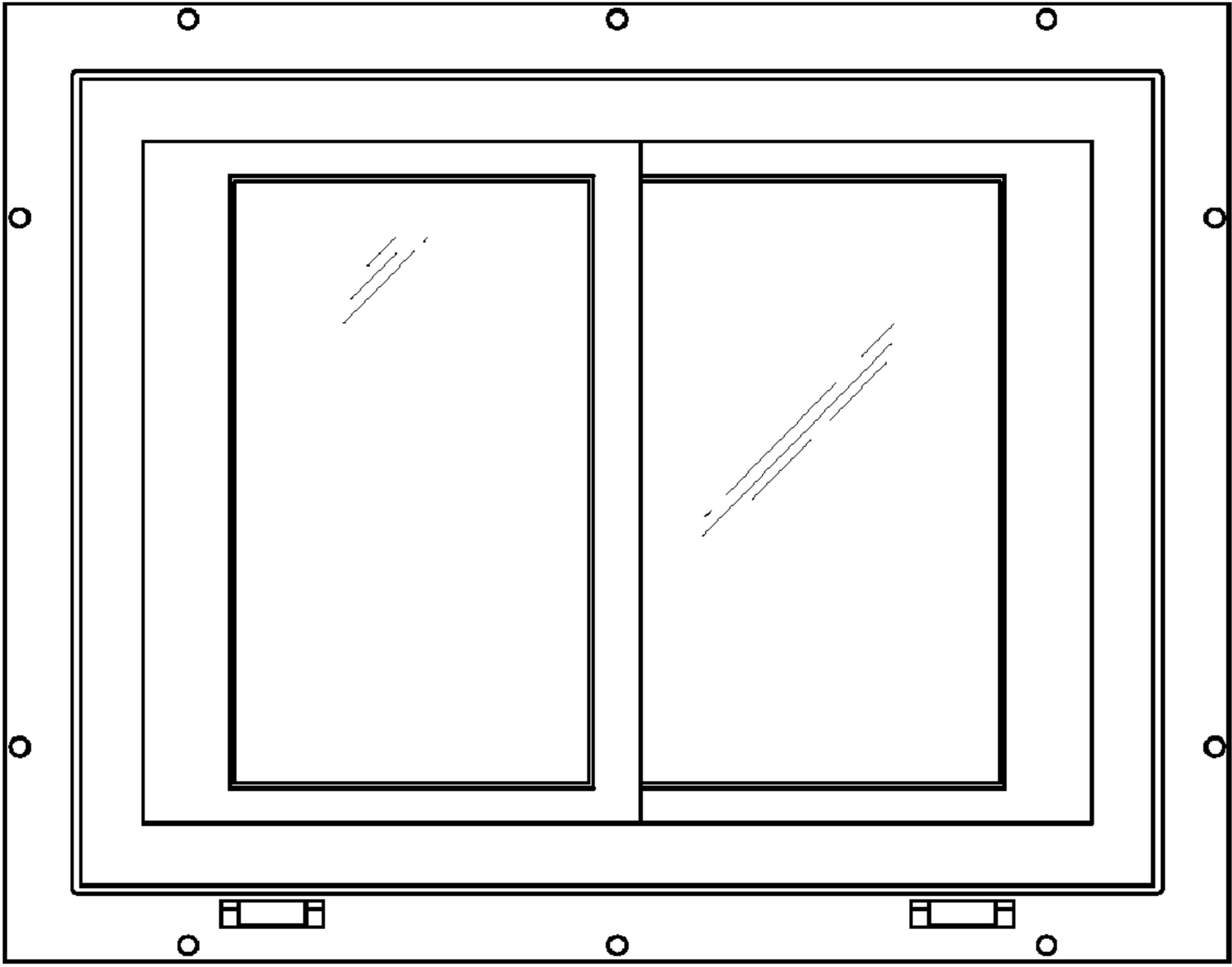


FIG. 3

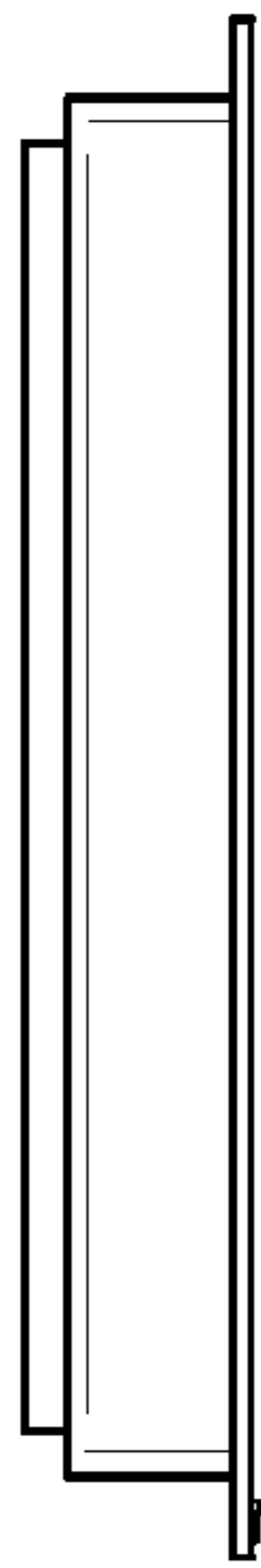


FIG. 4

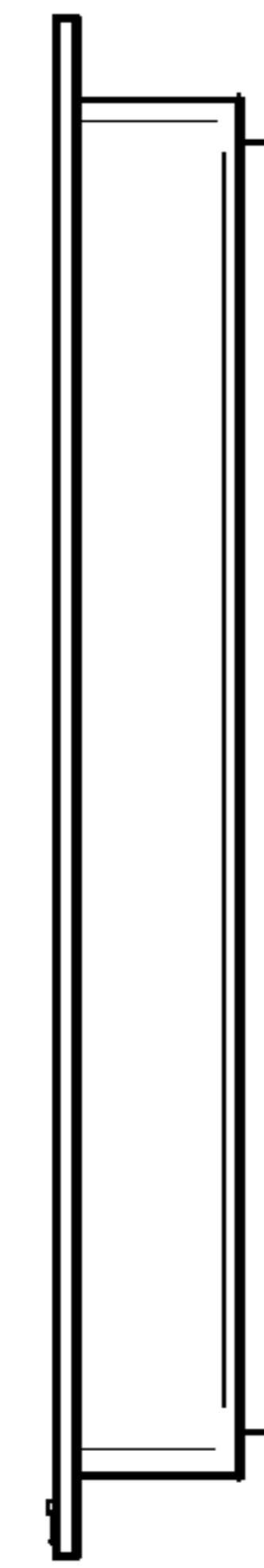


FIG. 5

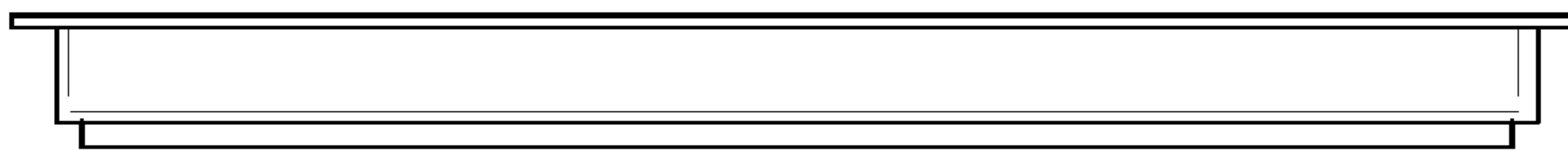


FIG. 6

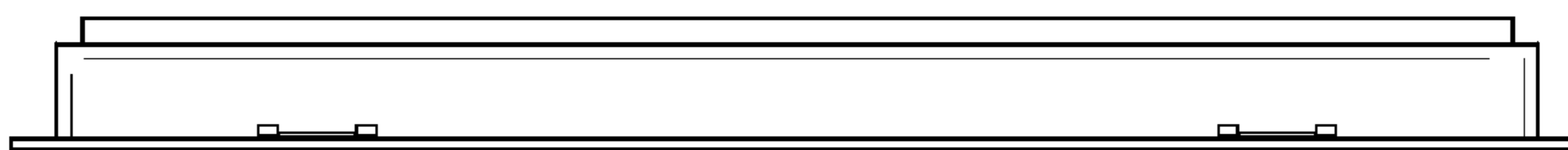


FIG. 7