



US00D604859S

(12) **United States Design Patent**
Liu

(10) **Patent No.:** **US D604,859 S**

(45) **Date of Patent:** **** Nov. 24, 2009**

(54) **PALM MASSAGER**

(76) Inventor: **Jung-Jen Liu**, No. 3, Aly. 6, LN. 242,
Guilin Rd., Wanhua Dist., Taipei City
108 (TW)

(**) Term: **14 Years**

(21) Appl. No.: **29/338,990**

(22) Filed: **Jun. 23, 2009**

(51) **LOC (9) Cl.** **24-02**

(52) **U.S. Cl.** **D24/211**

(58) **Field of Classification Search** D24/200,
D24/211-215; 601/11, 12, 15, 19, 40, 46,
601/52, 63, 94, 104, 107, 111, 118, 119,
601/121, 122, 128, 129, 134, 135, 136, 137,
601/138; 600/38, 39

See application file for complete search history.

(56) **References Cited**

U.S. PATENT DOCUMENTS

1,885,572 A * 11/1932 Wood 601/137
D195,802 S * 7/1963 Logan D24/214
4,577,625 A * 3/1986 Lohati et al. 601/128

D374,722 S * 10/1996 Lossing et al. D24/211
D504,954 S * 5/2005 Park D24/215

* cited by examiner

Primary Examiner—Cathron C Brooks

Assistant Examiner—Melanie Levy

(57) **CLAIM**

The ornamental design for a palm massager, as shown and described.

DESCRIPTION

FIG. 1 is a front perspective view of a palm massager showing my new design;

FIG. 2 is a front elevational view thereof;

FIG. 3 is a rear elevational view thereof;

FIG. 4 is a left side elevational view thereof;

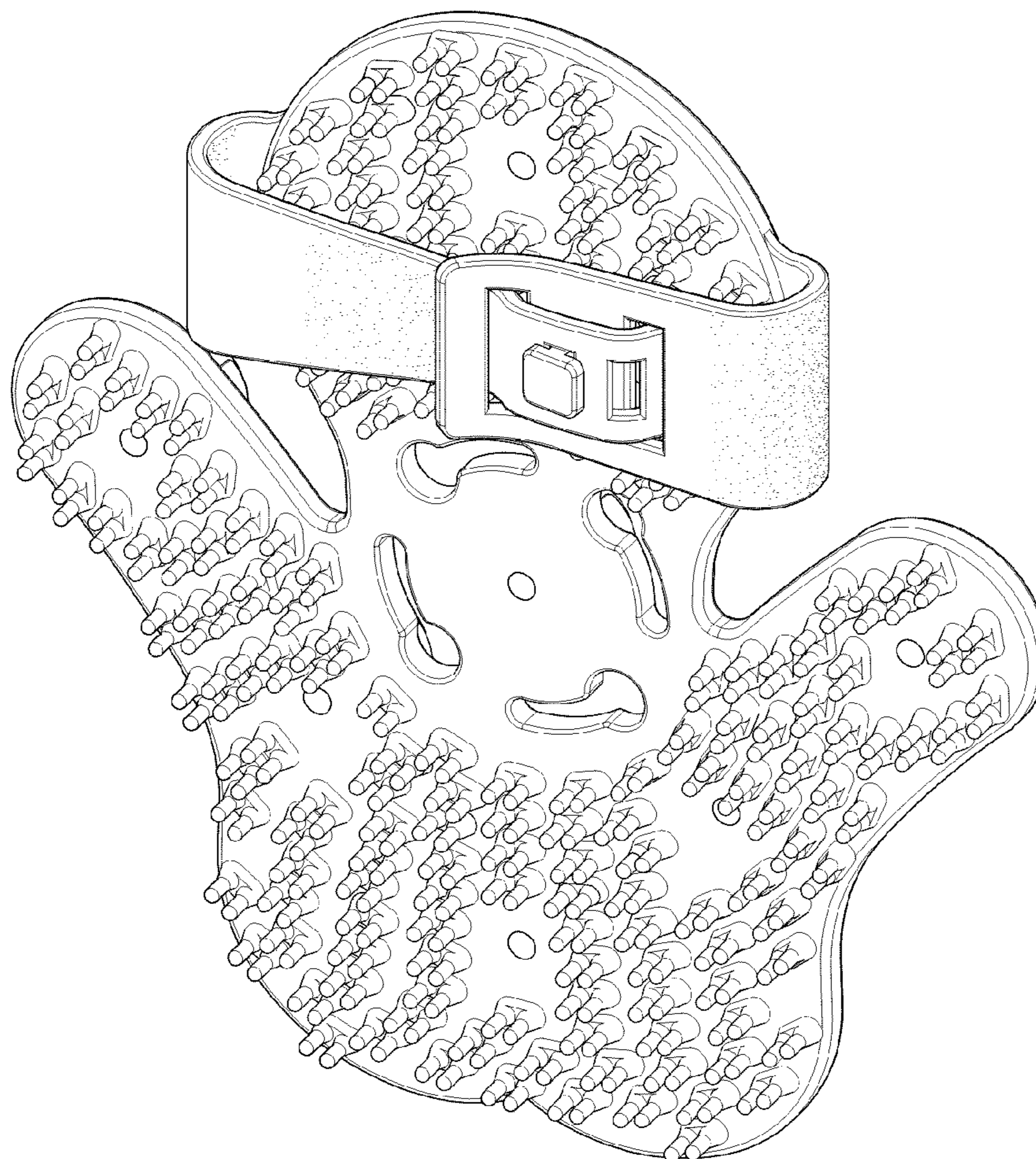
FIG. 5 is a right side elevational view thereof;

FIG. 6 is a top elevational view thereof;

FIG. 7 is a bottom elevational view thereof; and,

FIG. 8 is a rear perspective view thereof.

1 Claim, 5 Drawing Sheets



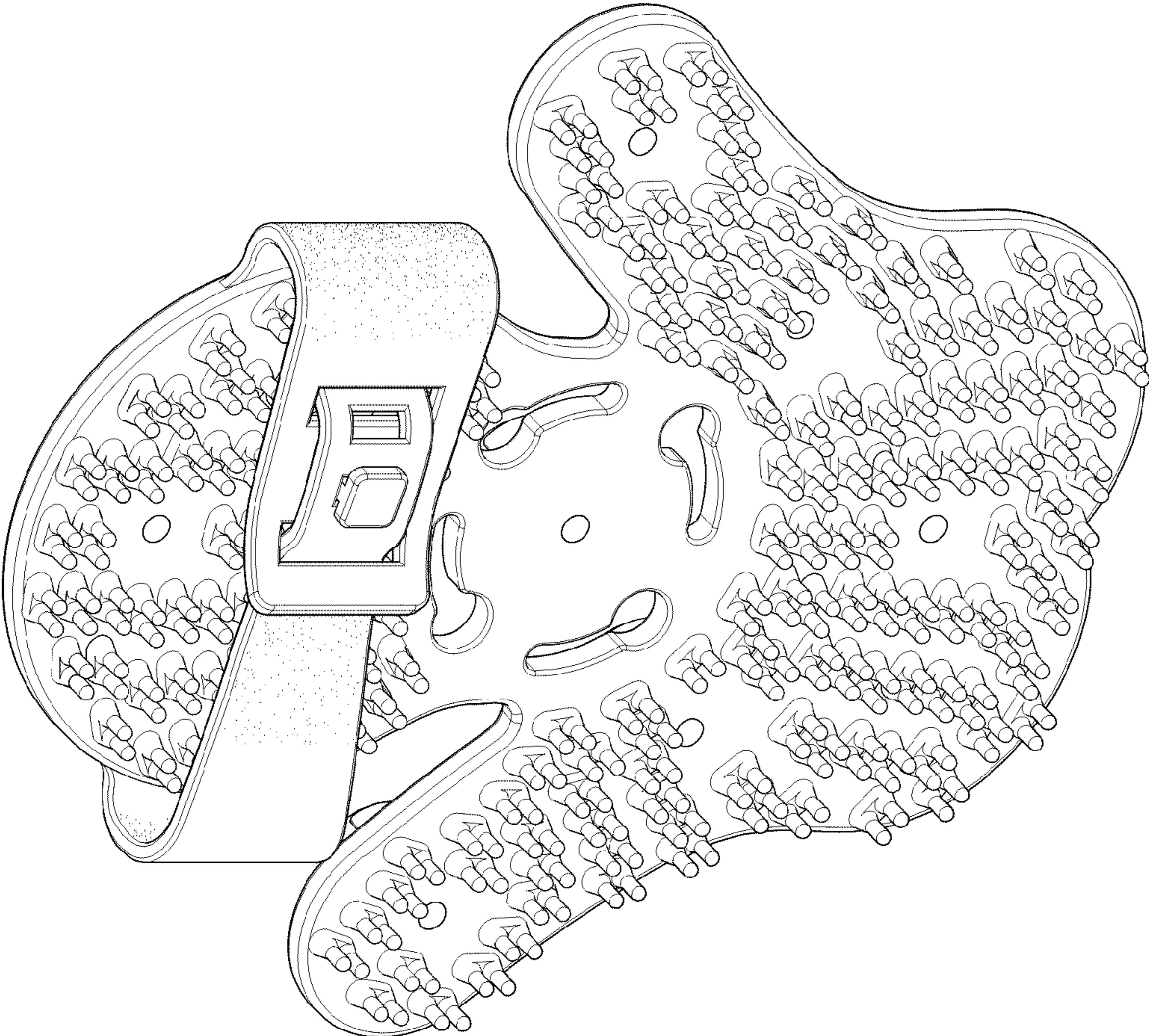


Fig. 1

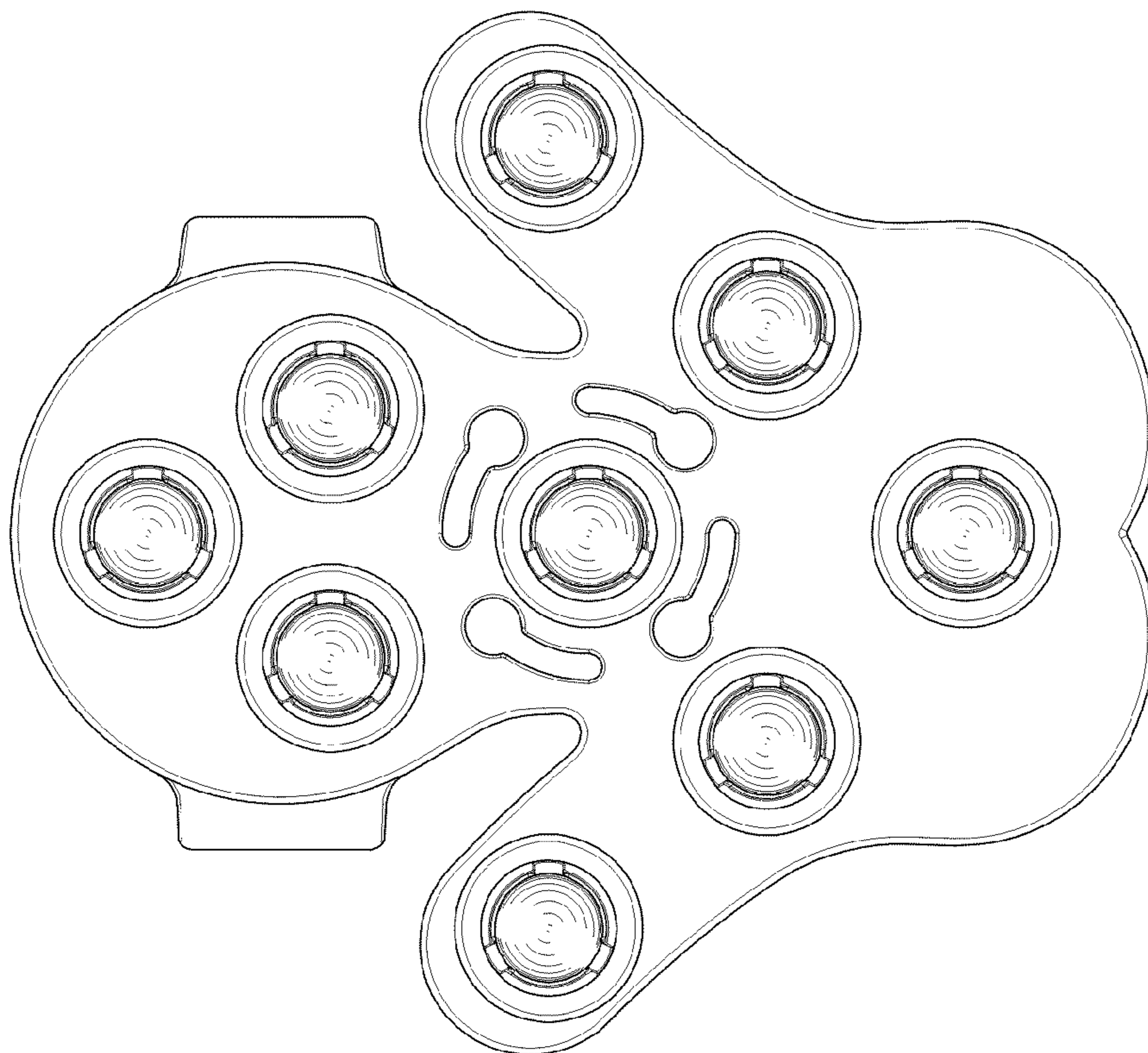


Fig. 3

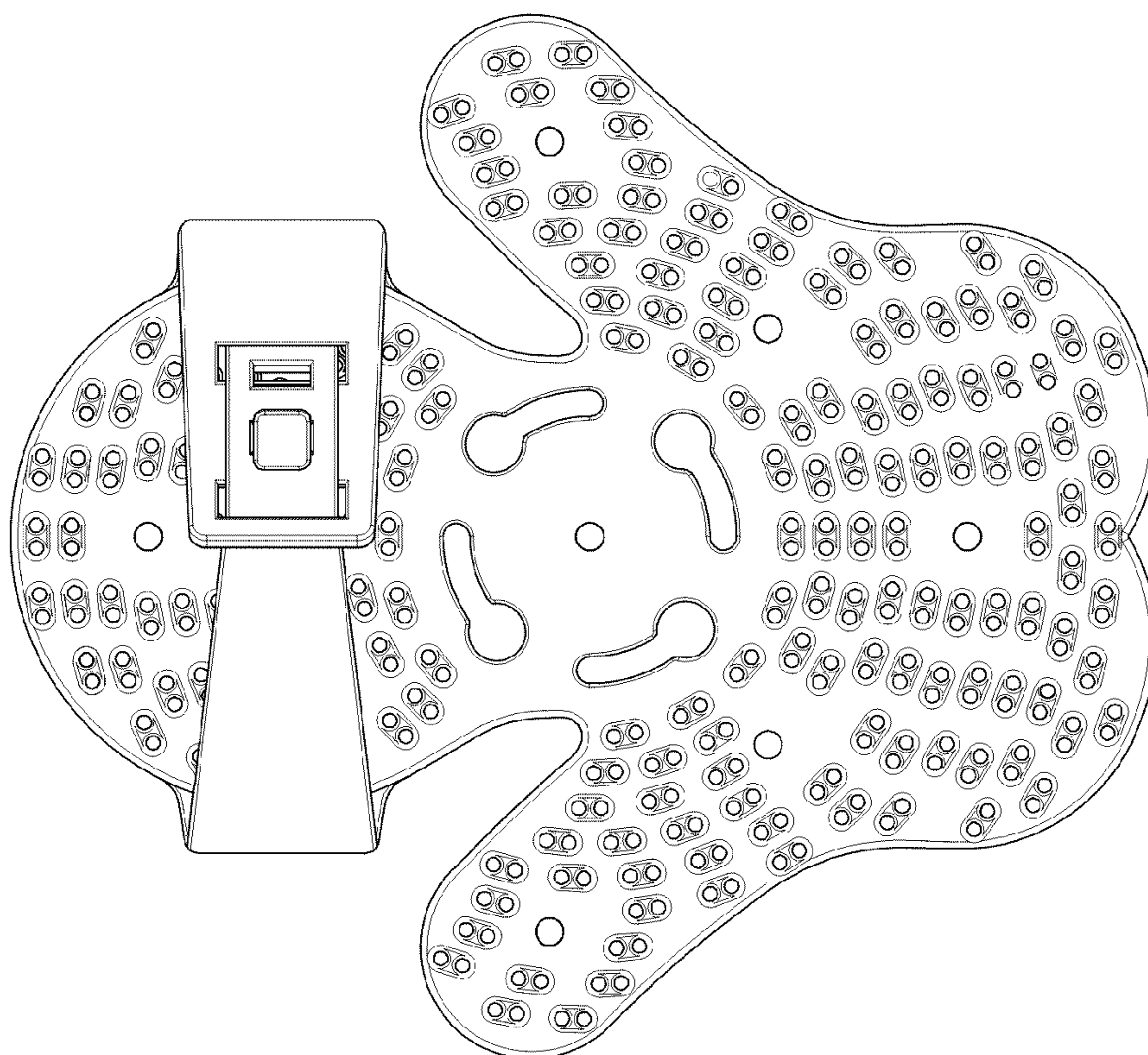


Fig. 2

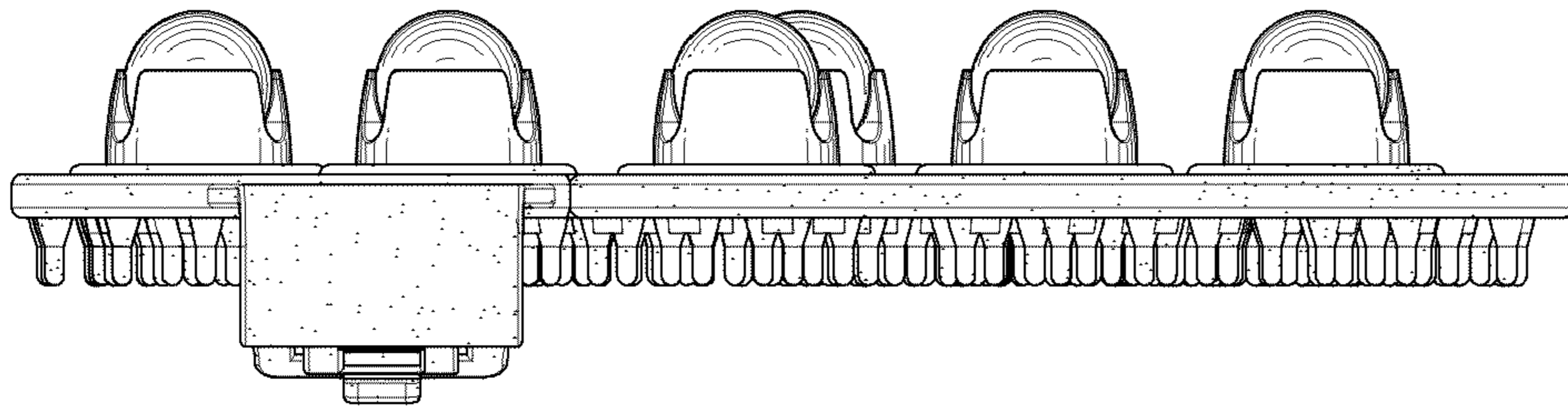


Fig. 5

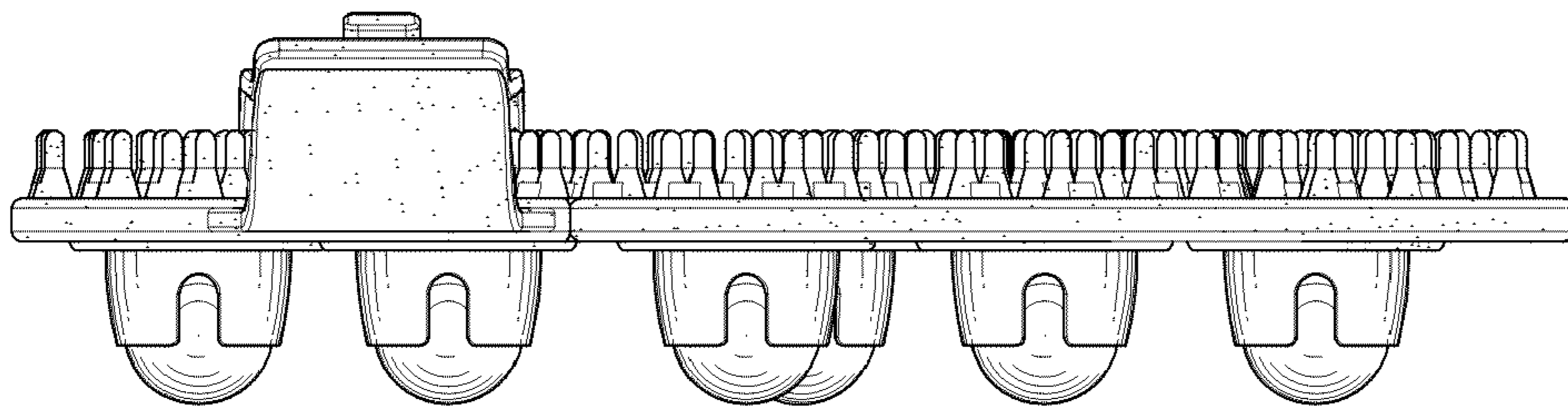


Fig. 4

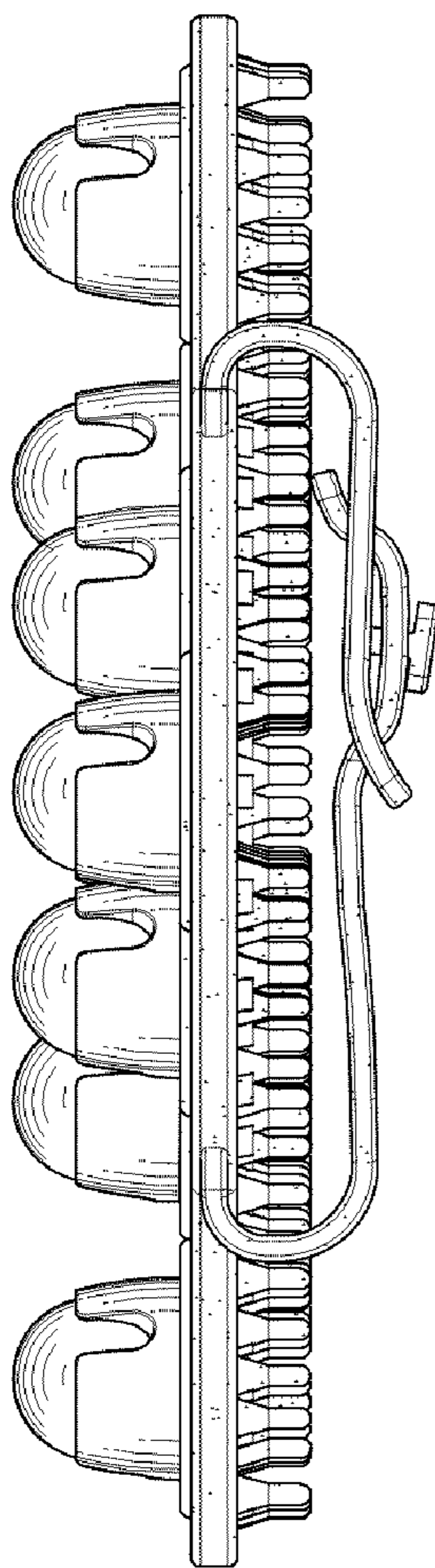


Fig. 6

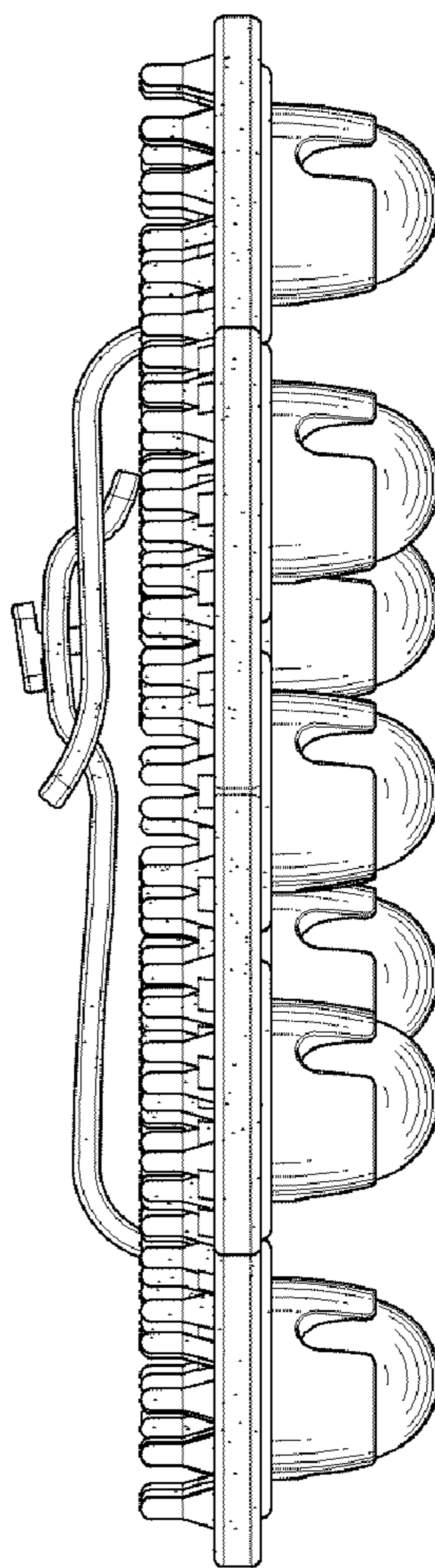


Fig. 7

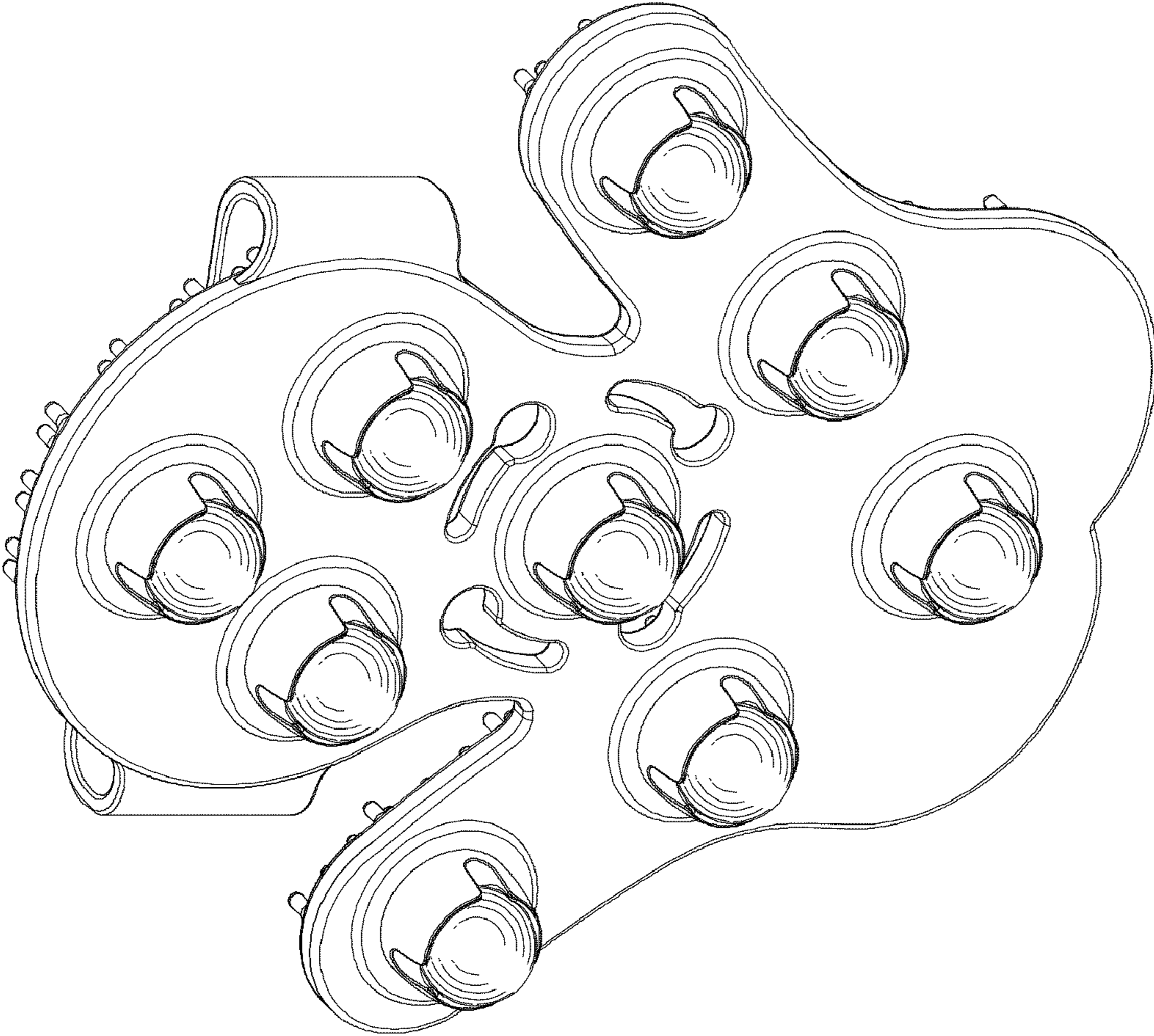


Fig. 8