



US00D604851S

(12) **United States Design Patent**
Ishikawa

(10) **Patent No.:** **US D604,851 S**
(45) **Date of Patent:** **** Nov. 24, 2009**

(54) **DENTAL IMPLANT FIXTURE**

U.S. Appl. No. 29/325,397, filed Sep. 30, 2008, Fares, et al.

(75) Inventor: **Yusuke Ishikawa**, Tokyo (JP)

* cited by examiner

(73) Assignee: **GC Corporation**, Tokyo (JP)

Primary Examiner—Charles A Rademaker

(**) Term: **14 Years**

(74) *Attorney, Agent, or Firm*—Oblon, Spivak, McClelland, Maier & Neustadt, L.L.P.

(21) Appl. No.: **29/323,313**

(57) **CLAIM**

(22) Filed: **Aug. 22, 2008**

The ornamental design for a dental implant fixture, as shown and described.

(30) **Foreign Application Priority Data**

Feb. 22, 2008 (JP) 2008-004034

DESCRIPTION

(51) **LOC (9) Cl.** **24-03**

(52) **U.S. Cl.** **D24/156**

(58) **Field of Classification Search** D24/155,
D24/156, 180, 176; D8/387, 176; 433/173,
433/176; 606/304, 74, 72

See application file for complete search history.

FIG. 1 is a front elevational view of a dental implant fixture, showing my design;

FIG. 2 is a rear elevational view thereof;

FIG. 3 is a left side elevational view thereof;

FIG. 4 is a right side elevational view thereof;

FIG. 5 is a top plan view thereof;

FIG. 6 is a bottom plan view thereof;

FIG. 7 is an enlarged cross-sectional view thereof taken along line A—A of FIG. 4;

FIG. 8 is a cross-sectional view thereof taken along line B—B in FIG. 4;

FIG. 9 is a cross-sectional view thereof taken along line C—C in FIG. 1;

FIG. 10 is a cross-sectional view taken along line D—D in FIG. 1; and,

FIG. 11 is a top and front view thereof.

The broken lines shown in the figure drawings are for illustrative purposes only and form no part of the claimed design.

(56) **References Cited**

U.S. PATENT DOCUMENTS

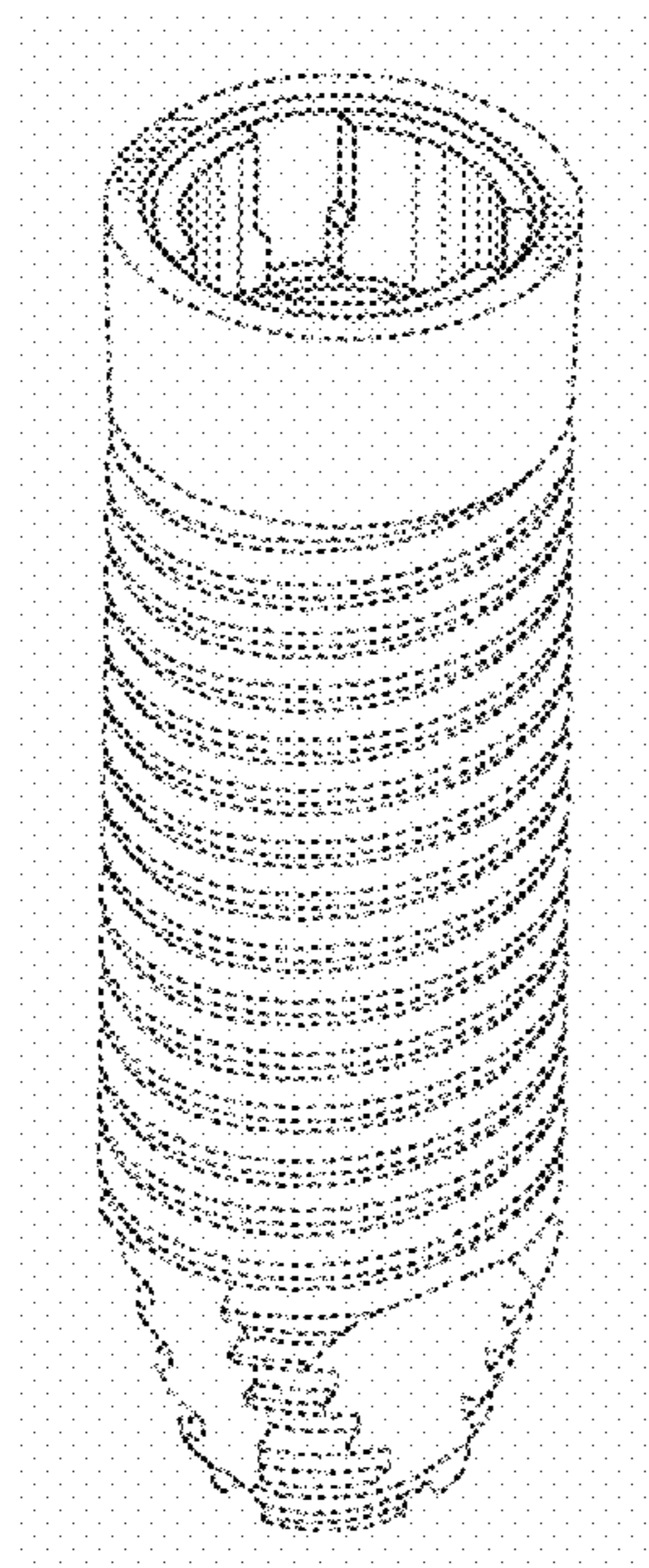
5,160,225	A *	11/1992	Chern	411/30
5,320,005	A *	6/1994	Hsiao	D8/387
6,358,050	B1 *	3/2002	Bergstrom et al.	433/173
6,619,958	B2 *	9/2003	Beaty et al.	433/173
6,648,643	B2 *	11/2003	Hollander et al.	433/173
6,840,769	B2 *	1/2005	Augthun et al.	433/173
6,875,216	B2 *	4/2005	Wolf	606/304
D556,907	S *	12/2007	Rassoli	D24/156
D562,454	S *	2/2008	Rassoli	D24/156
D578,218	S *	10/2008	Purga et al.	D24/156
D583,057	S *	12/2008	Kojima et al.	D24/156

OTHER PUBLICATIONS

U.S. Appl. No. 29/323,317, filed Aug. 22, 2008, Ishikawa.

U.S. Appl. No. 29/323,313, filed Aug. 22, 2008, Ishikawa.

1 Claim, 4 Drawing Sheets



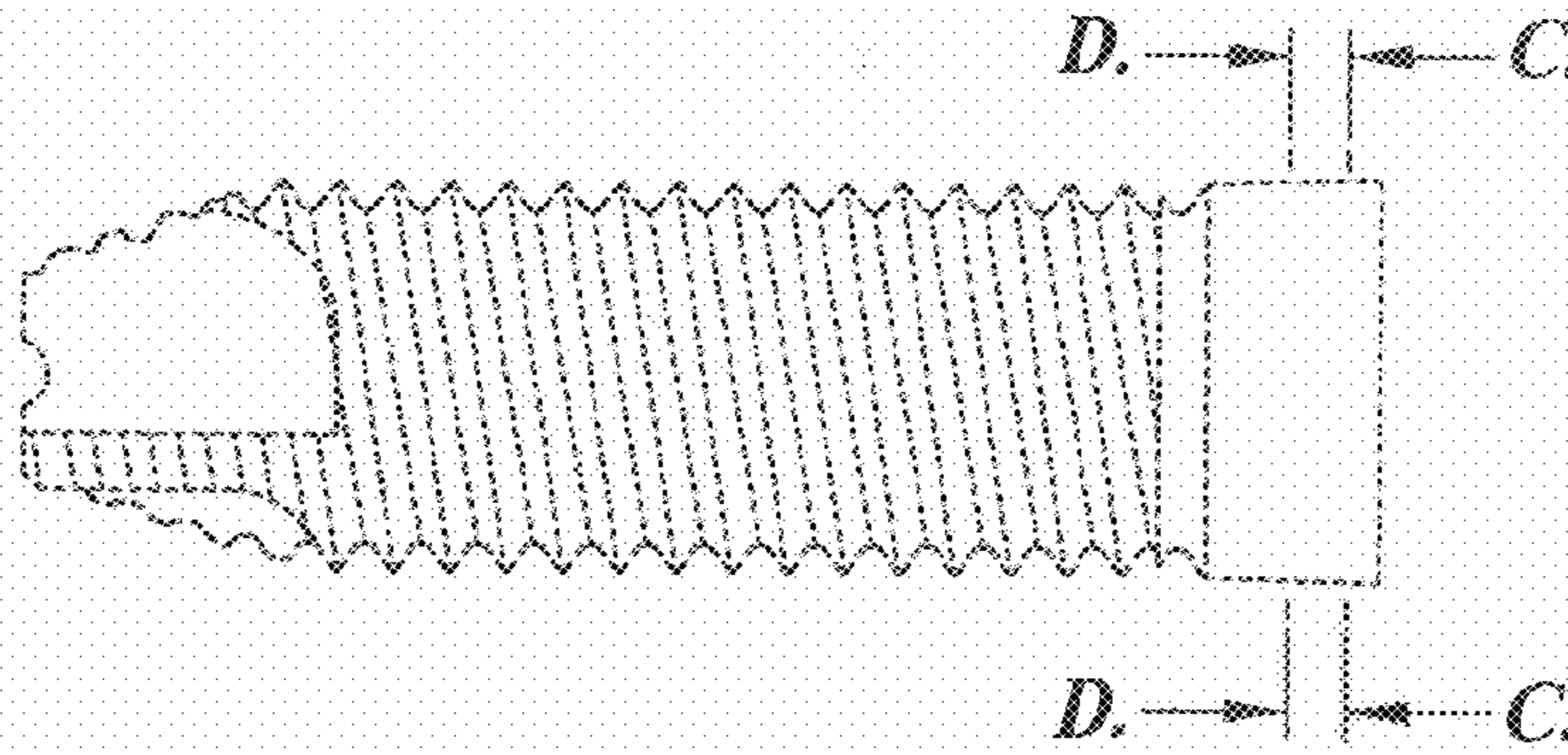


Fig. 1

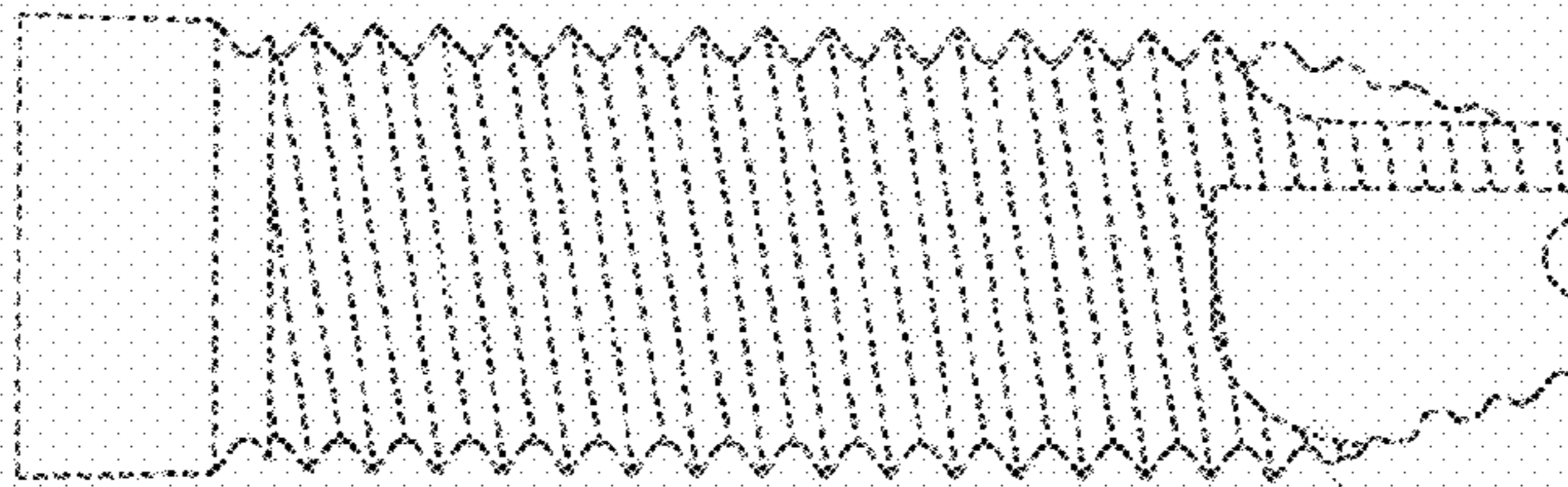


Fig. 2

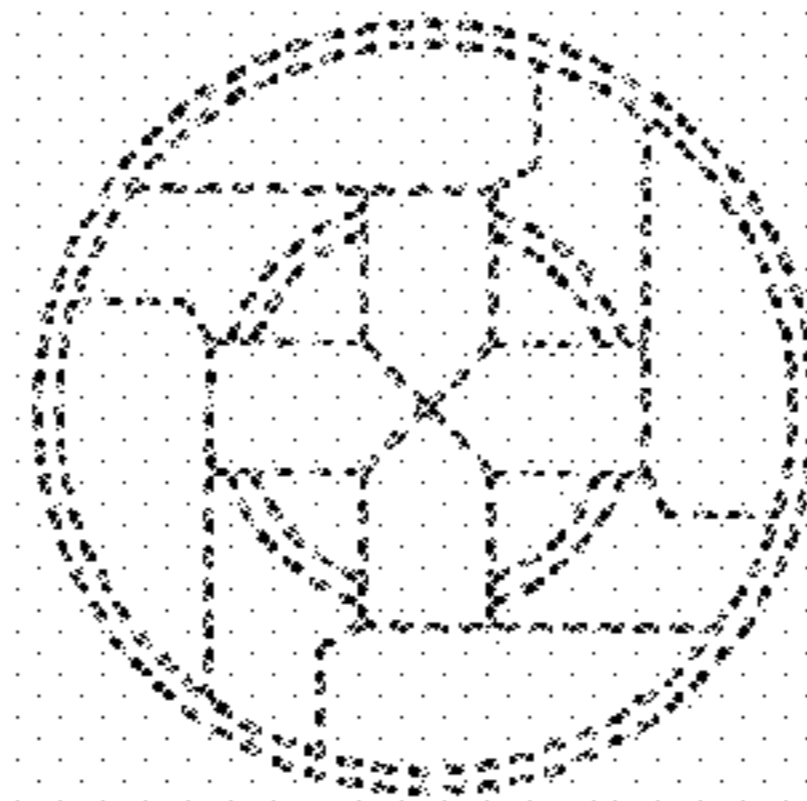


Fig. 3

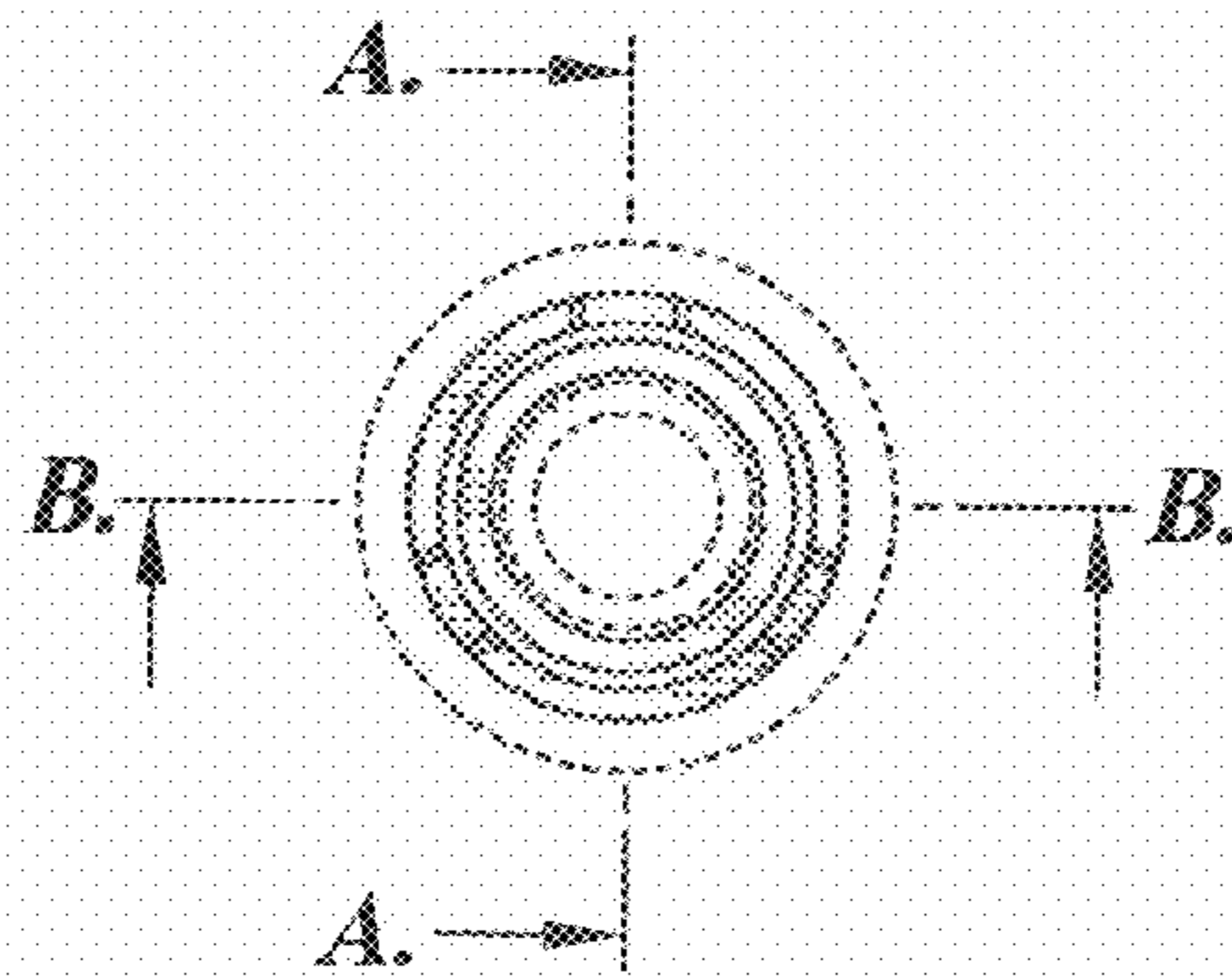


Fig. 4

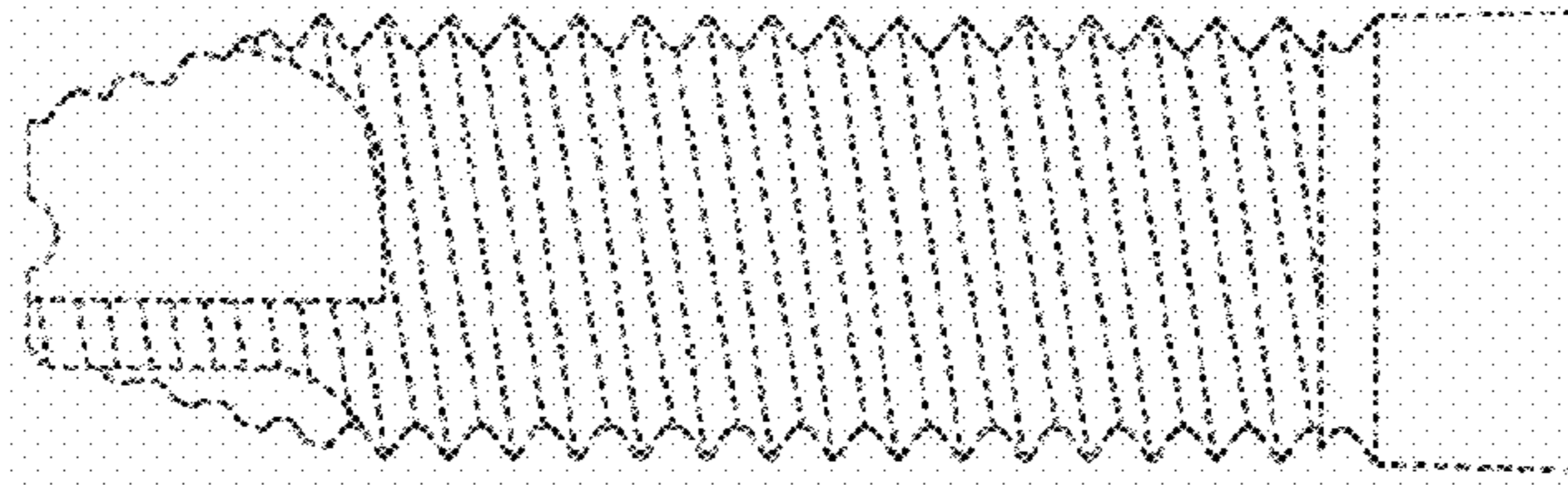


Fig. 5

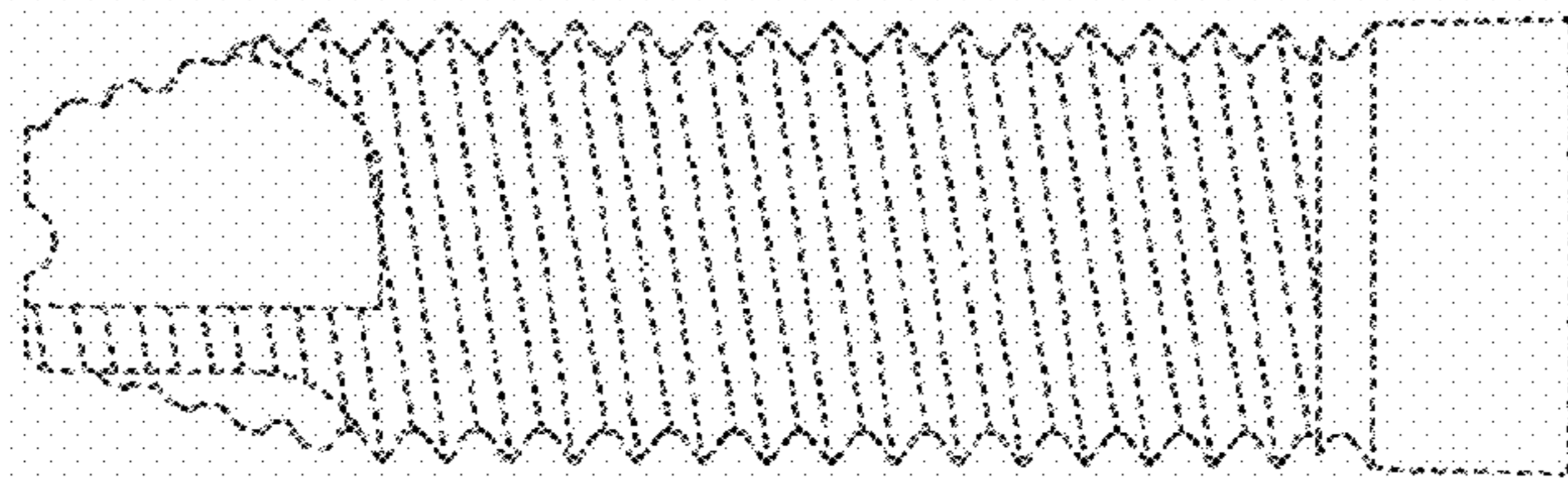


Fig. 6

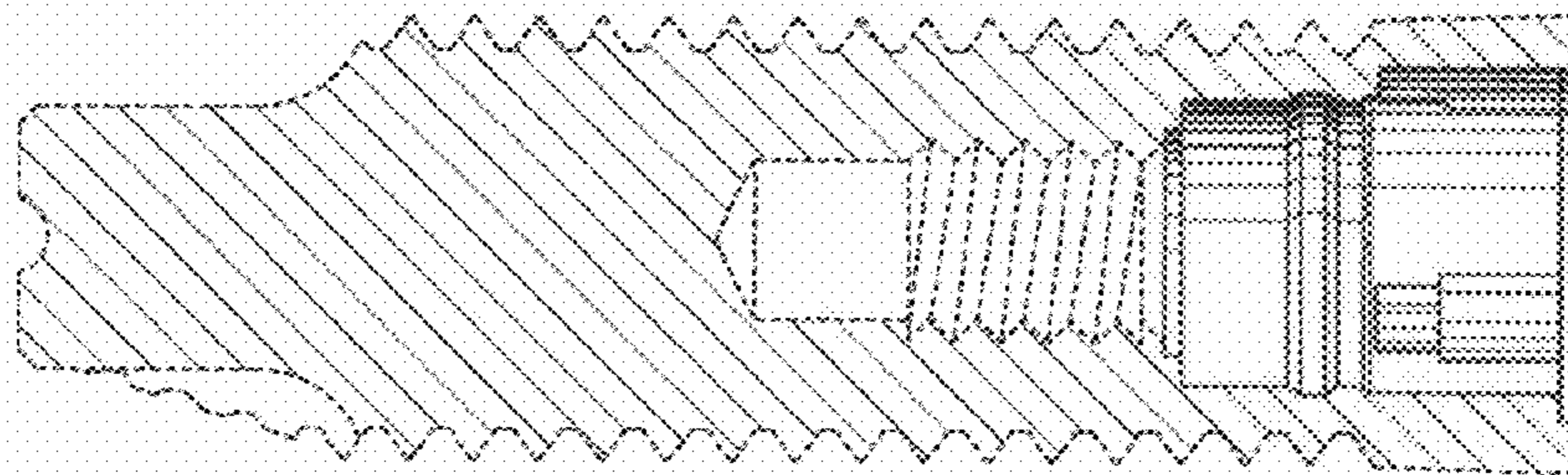


Fig. 7

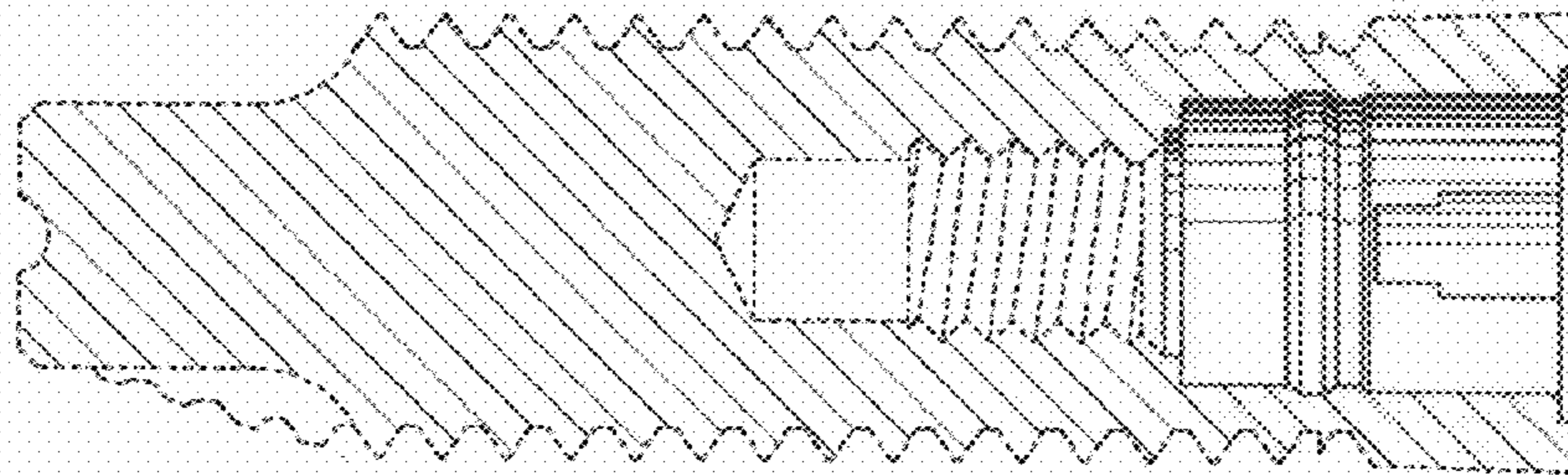


Fig. 8

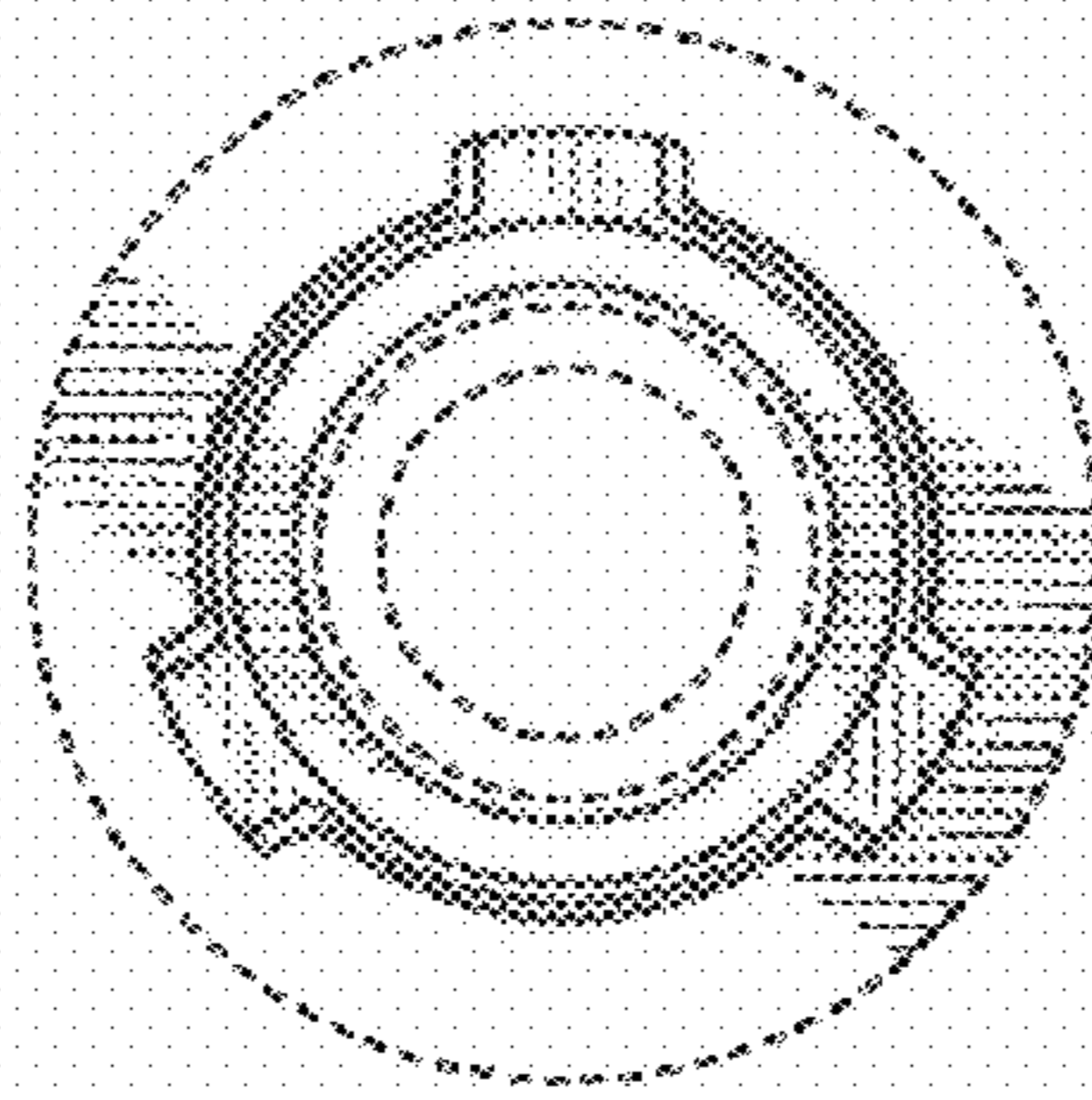


Fig. 9

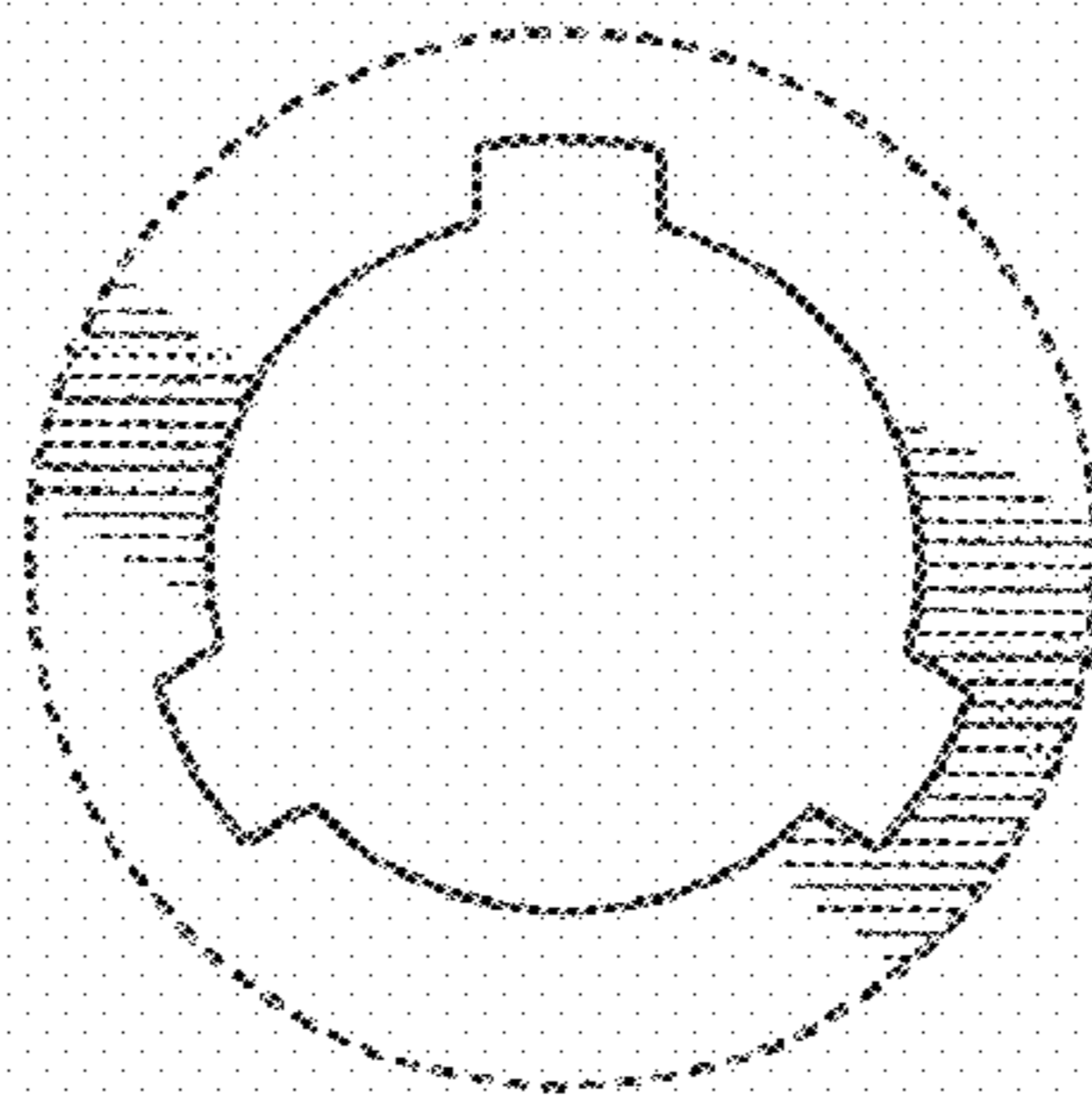


Fig. 10

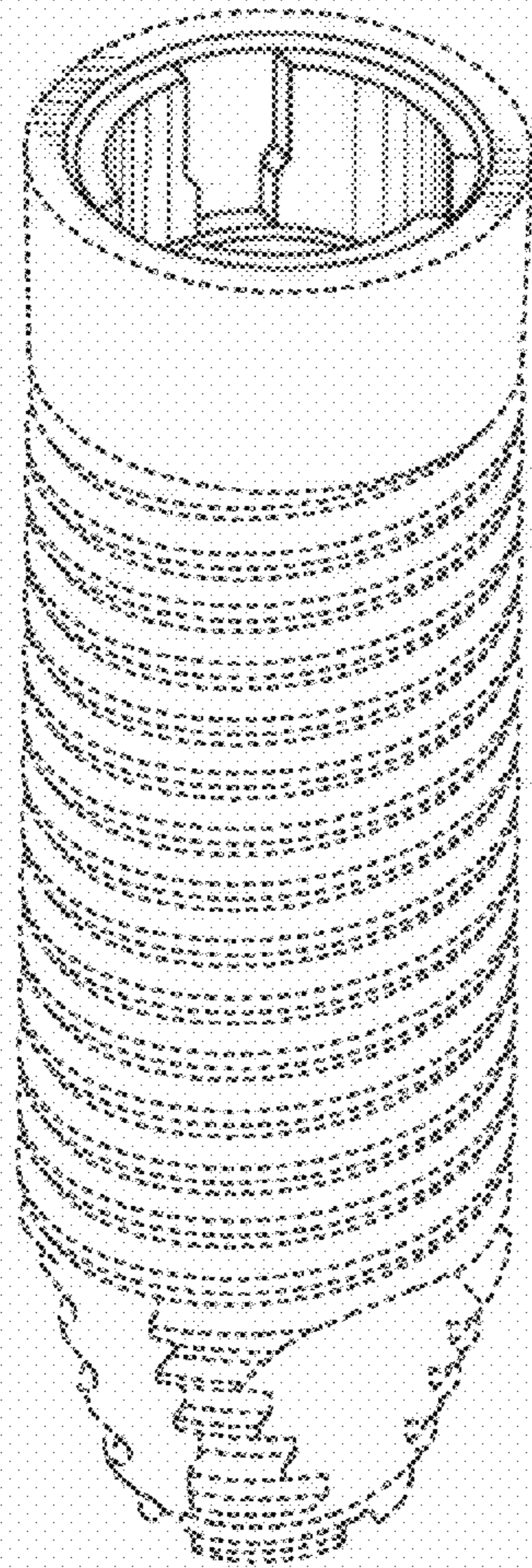


Fig. 11