



US00D604847S

(12) **United States Design Patent**
Sawalhe et al.

(10) **Patent No.:** **US D604,847 S**

(45) **Date of Patent:** **** Nov. 24, 2009**

(54) **MORCELLATOR**

(75) Inventors: **Samir Sawalhe**, Dingolfing (DE);
Andreas Baerthele, Radolfzell (DE)

(73) Assignee: **Karl Storz GmbH & Co. KG** (DE)

(**) Term: **14 Years**

(21) Appl. No.: **29/329,203**

(22) Filed: **Dec. 10, 2008**

(30) **Foreign Application Priority Data**

Jun. 13, 2008 (EM) 000950845

(51) **LOC (9) Cl.** **24-02**

(52) **U.S. Cl.** **D24/146; D24/133**

(58) **Field of Classification Search** D24/108,
D24/133, 135, 146-147, 140, 144; 606/45-46,
606/167, 170, 108; 600/131, 136-137, 564,
600/567-568

See application file for complete search history.

(56) **References Cited**

U.S. PATENT DOCUMENTS

4,667,684 A * 5/1987 Leigh 600/567
5,467,762 A * 11/1995 Sauer et al. 600/114
5,569,284 A * 10/1996 Young et al. 606/180
6,036,657 A * 3/2000 Milliman et al. 600/564

6,213,957 B1 * 4/2001 Milliman et al. 600/566
6,428,538 B1 * 8/2002 Blewett et al. 606/46
6,572,632 B2 * 6/2003 Zisterer et al. 606/170
2008/0065129 A1 * 3/2008 Batchelor et al. 606/172
2009/0138033 A1 * 5/2009 Blake, III 606/184

* cited by examiner

Primary Examiner—Ian Simmons

Assistant Examiner—Wan Laymon

(74) *Attorney, Agent, or Firm*—St. Onge Steward Johnston & Reens LLC

(57) **CLAIM**

The ornamental design for a morcellator, as shown and described.

DESCRIPTION

FIG. 1 is a right side isometric view of a morcellator in accordance with the new design;

FIG. 2 is a right side view thereof;

FIG. 3 is a left side view thereof;

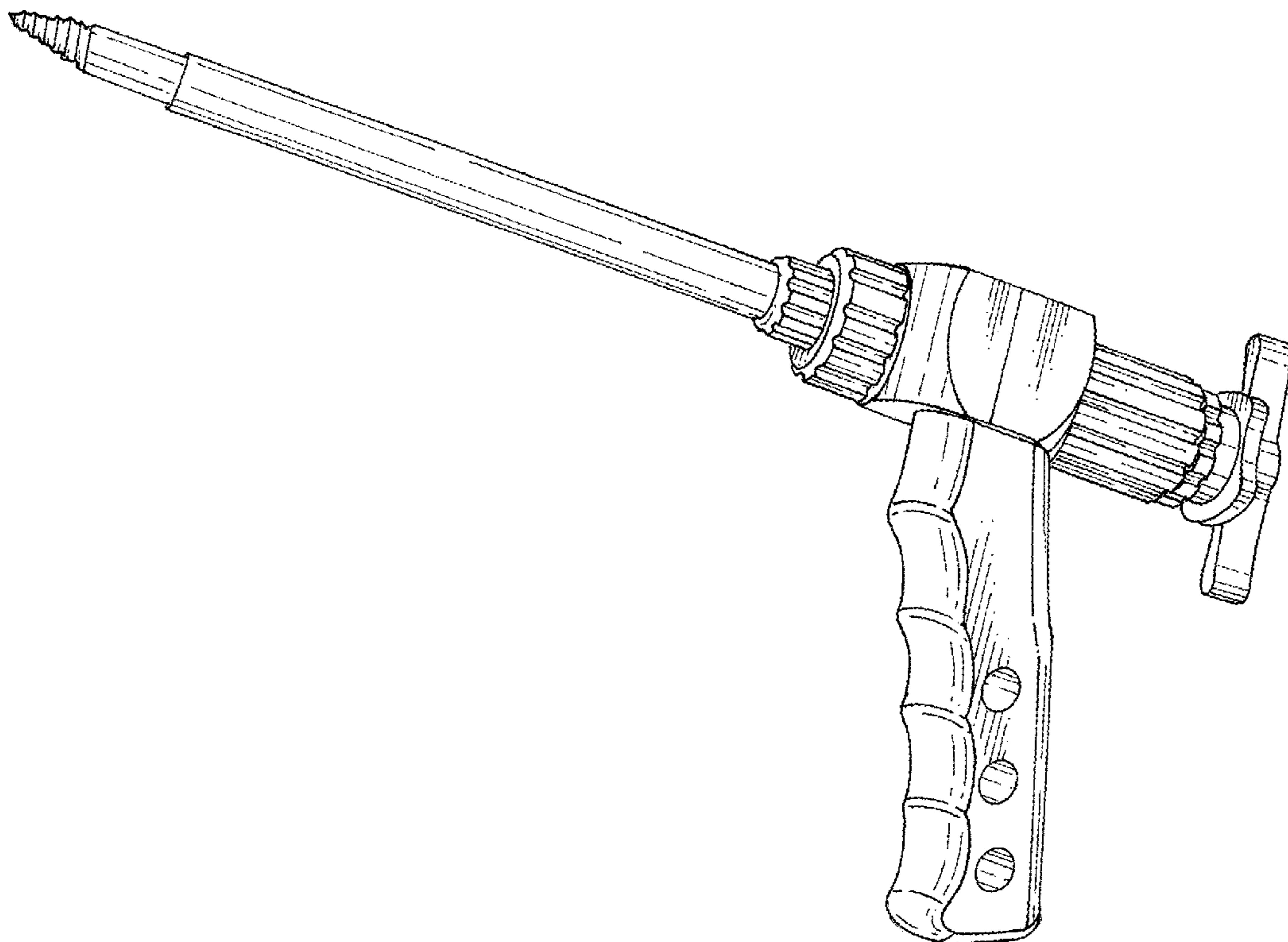
FIG. 4 is a top view thereof;

FIG. 5 is a bottom view thereof;

FIG. 6 is a front view thereof; and,

FIG. 7 is a rear view thereof.

1 Claim, 5 Drawing Sheets



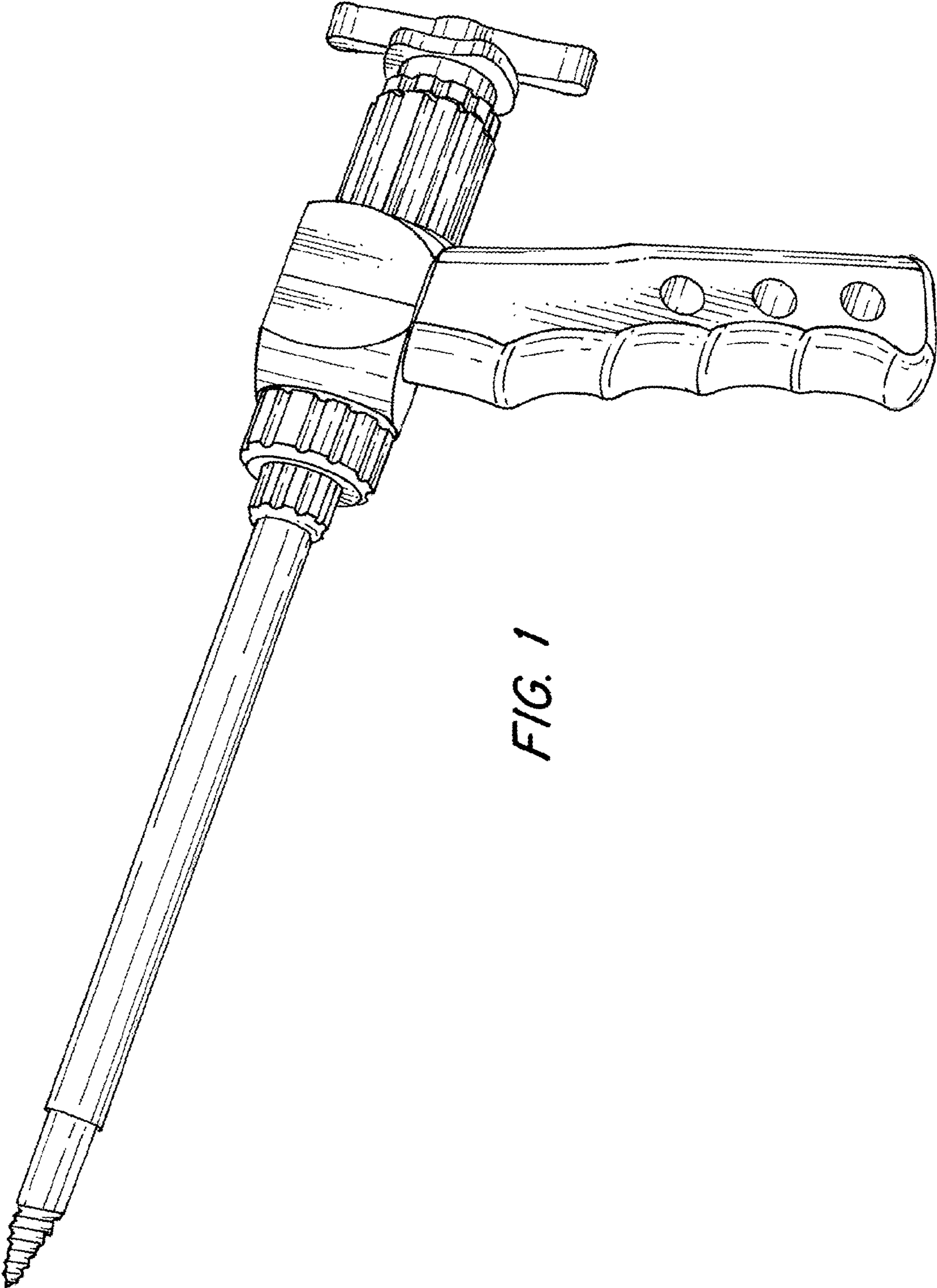


FIG. 1

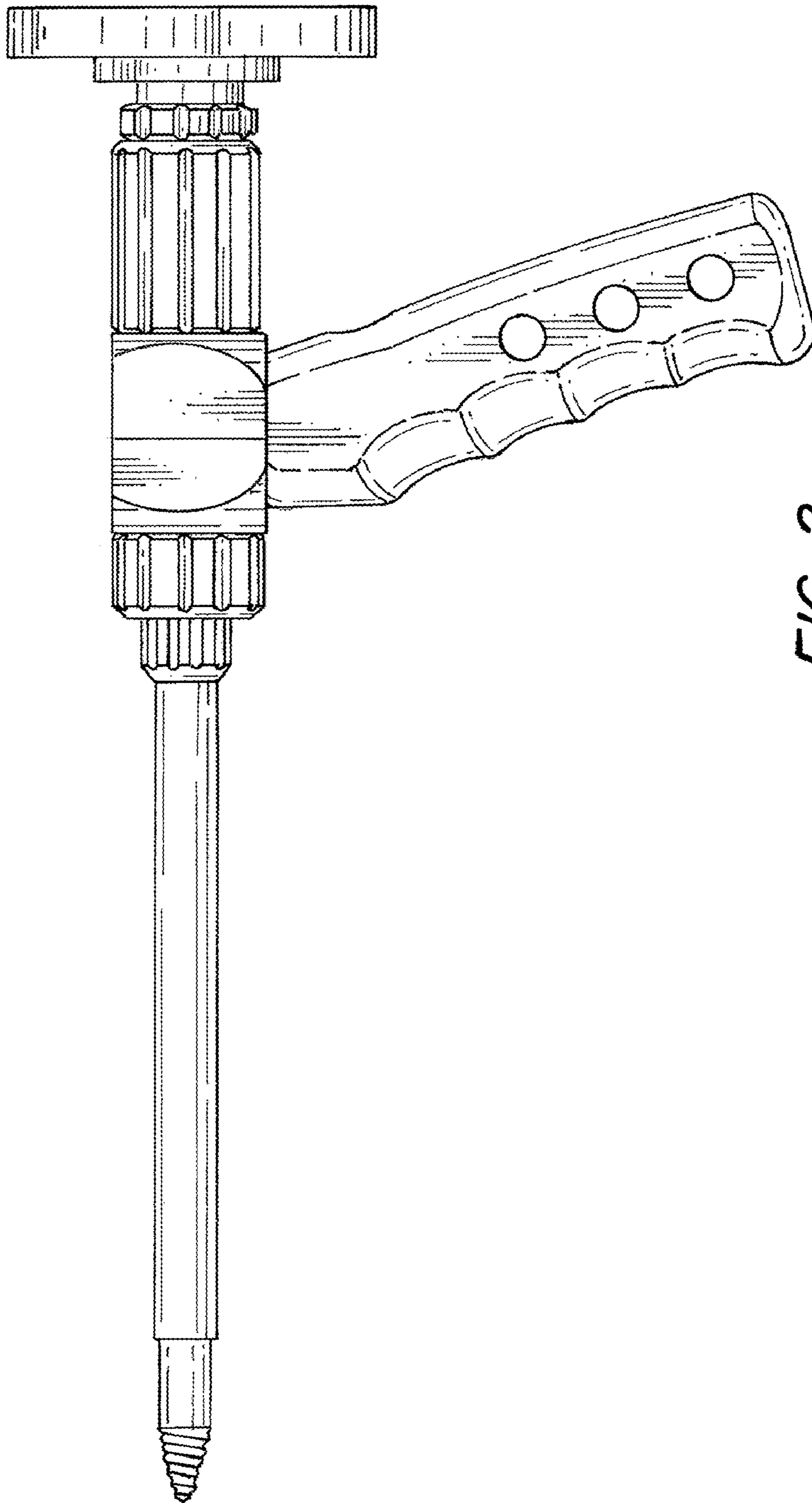


FIG. 2

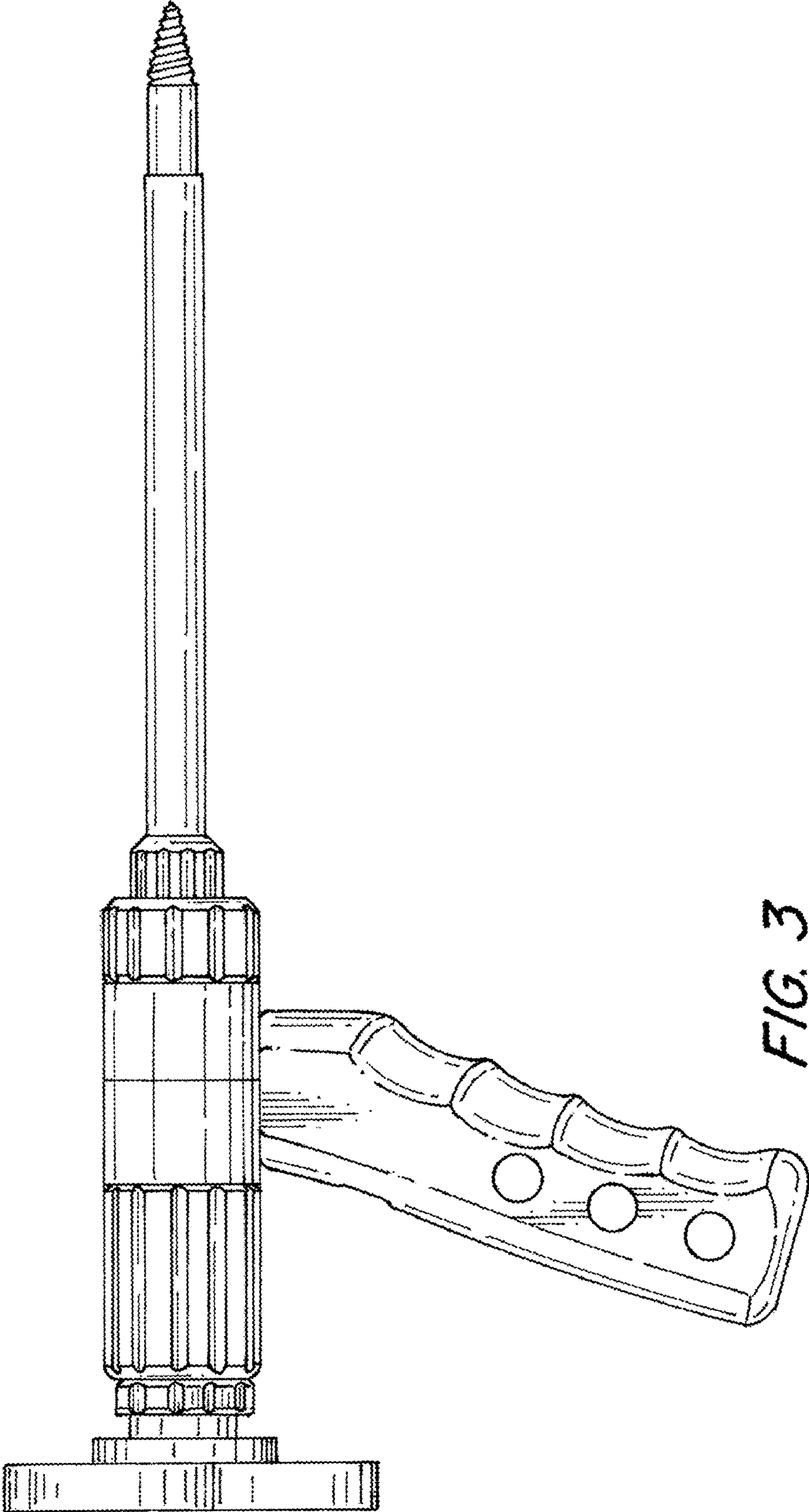


FIG. 3

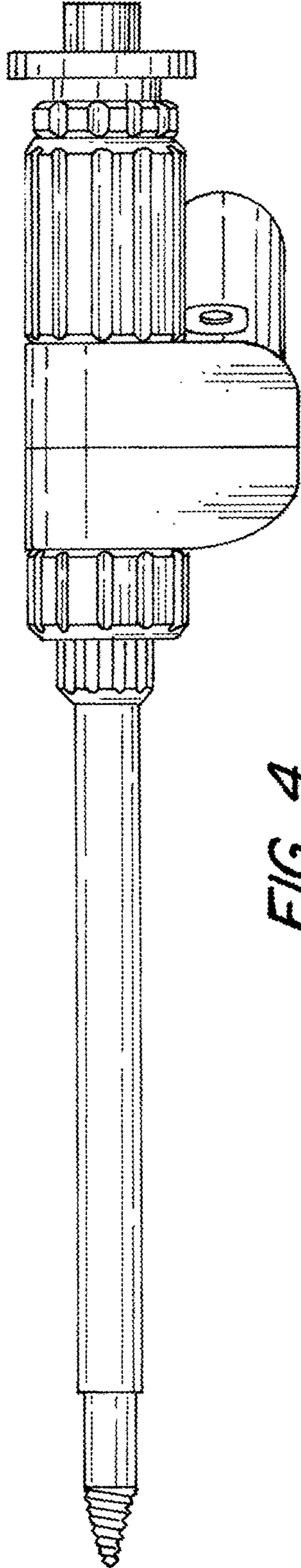


FIG. 4

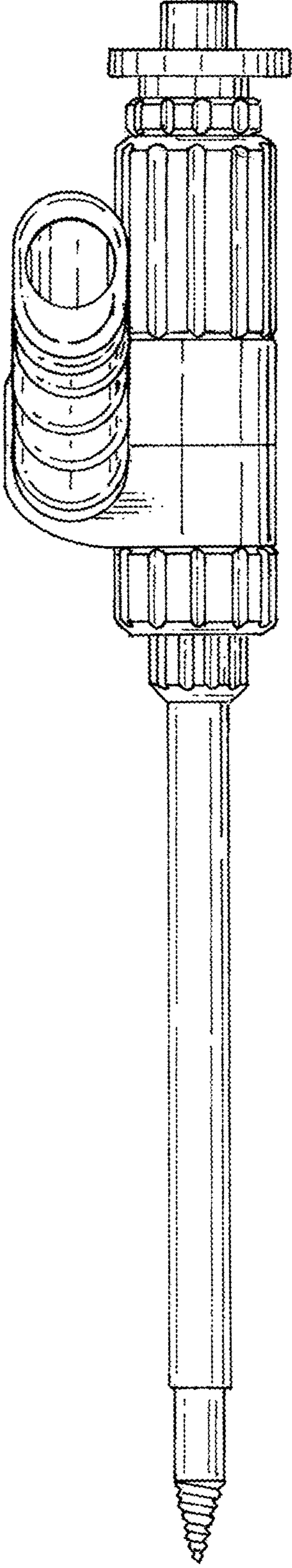


FIG. 5

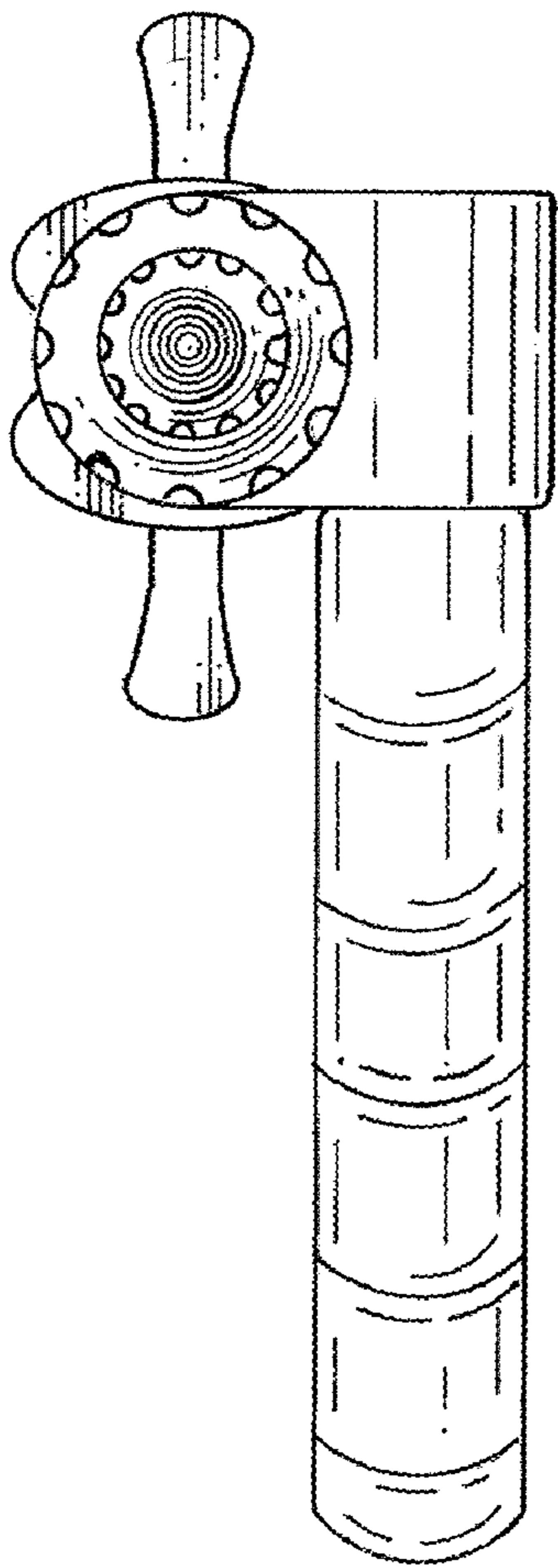


FIG. 6

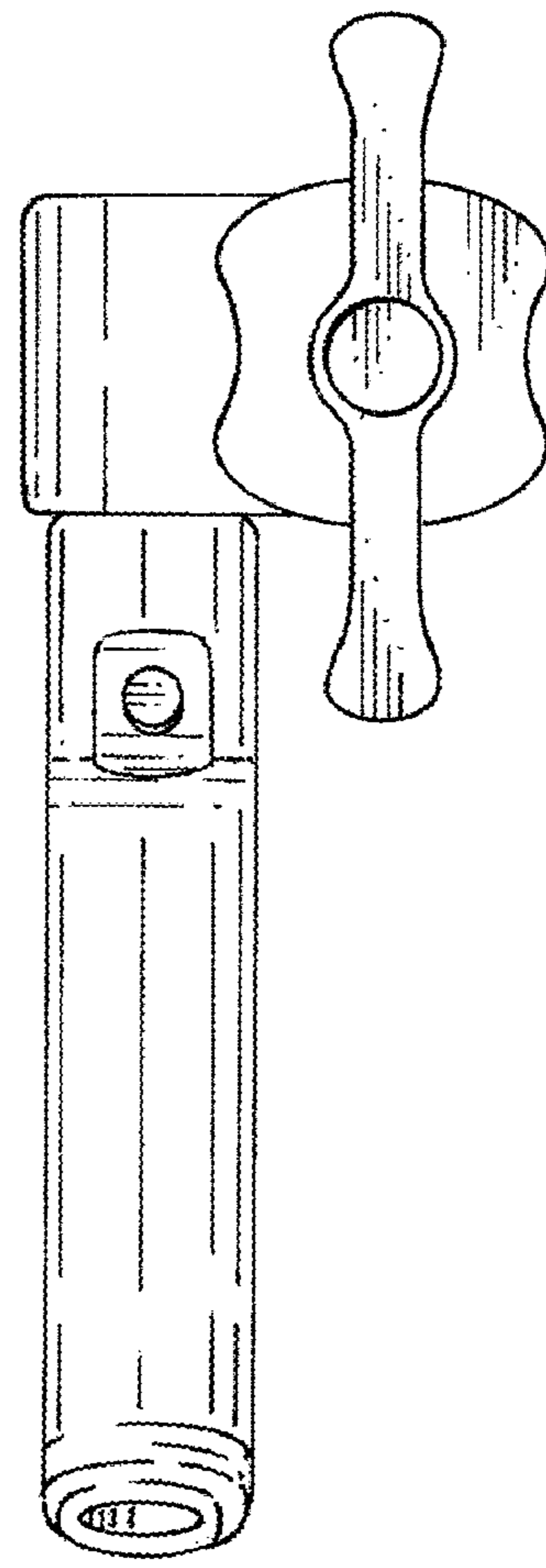


FIG. 7