



US00D604846S

(12) **United States Design Patent**
Hintermann

(10) **Patent No.:** **US D604,846 S**

(45) **Date of Patent:** **** Nov. 24, 2009**

(54) **SURGICAL NAIL FOR ARTHRODESIS**

6,562,042 B2 * 5/2003 Nelson 606/62
6,679,890 B2 * 1/2004 Margulies et al. 606/94
6,736,818 B2 * 5/2004 Perren et al. 606/63

(75) Inventor: **Beat Hintermann**, Liestal (CH)

(73) Assignee: **New Deal**, Lyons (FR)

(**) Term: **14 Years**

(21) Appl. No.: **29/307,726**

(22) Filed: **May 8, 2008**

(51) **LOC (9) Cl.** **24-02**

(52) **U.S. Cl.** **D24/146**

(58) **Field of Classification Search** D24/133,
D24/145-147, 155; 606/53, 60, 67, 329,
606/62

See application file for complete search history.

(56) **References Cited**

U.S. PATENT DOCUMENTS

D279,503 S * 7/1985 Halloran D24/155
D329,898 S * 9/1992 Dutcher et al. D24/133
D379,855 S * 6/1997 Perry D24/145
5,766,174 A * 6/1998 Perry 606/62
5,855,579 A * 1/1999 James et al. 606/62
6,488,684 B2 * 12/2002 Bramlet et al. 606/62

* cited by examiner

Primary Examiner—Ian Simmons

Assistant Examiner—Anna J Burmeister

(74) *Attorney, Agent, or Firm*—Frank J. McGue

(57) **CLAIM**

The ornamental design for a surgical nail for arthrodesis, as shown and described.

DESCRIPTION

FIG. 1 is a top, front perspective view of a surgical nail for arthrodesis, showing my new design;

FIG. 2 is a top plan view thereof, shown at an enlarged scale;

FIG. 3 is a bottom plan view thereof;

FIG. 4 is front elevational view of FIG. 1 thereof, whereas the rear elevational view is a mirror image; and,

FIG. 5 is a left side elevational view thereof; the right side elevational view is a mirror image.

1 Claim, 2 Drawing Sheets





FIG. 1.

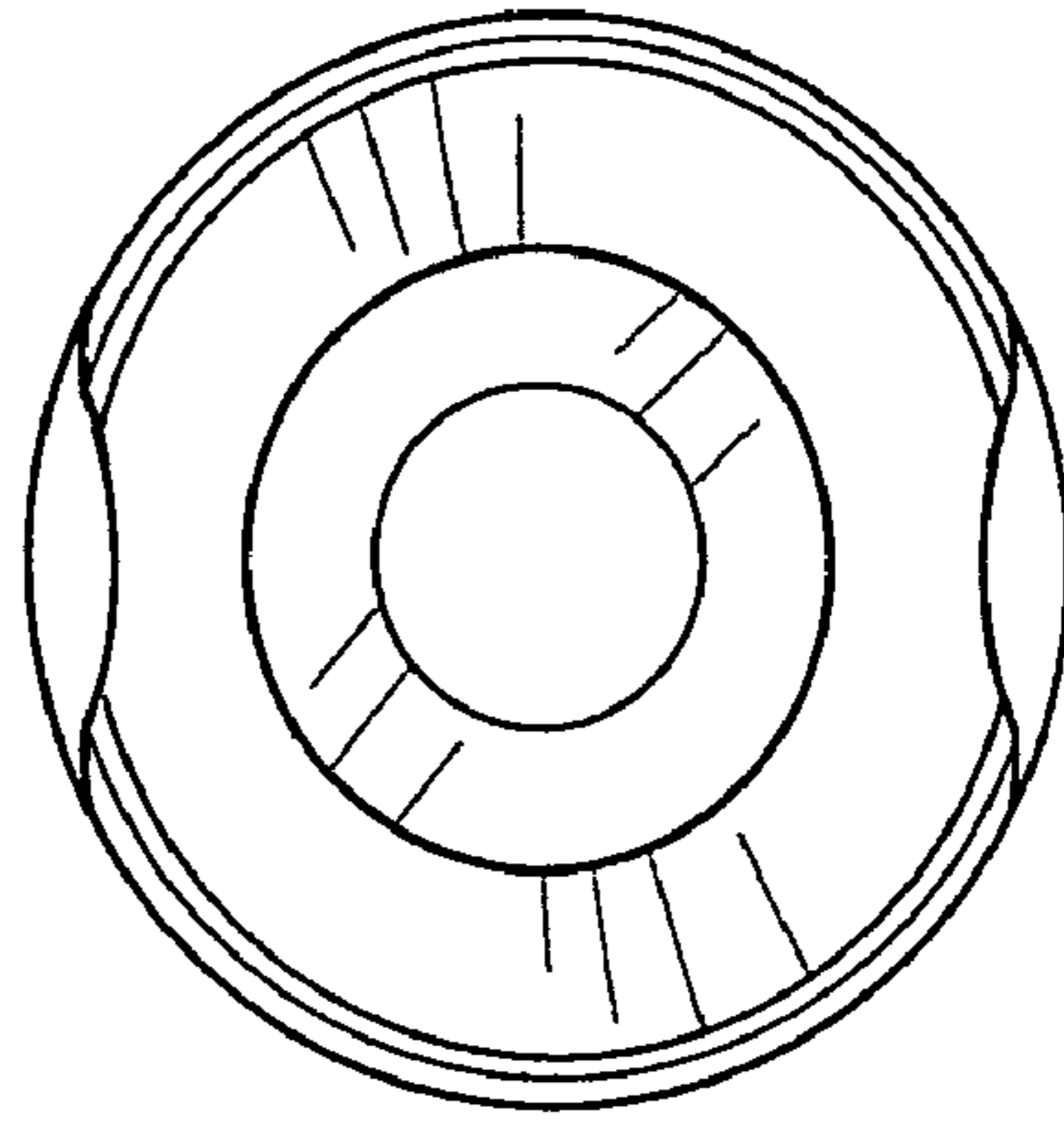


FIG. 2.

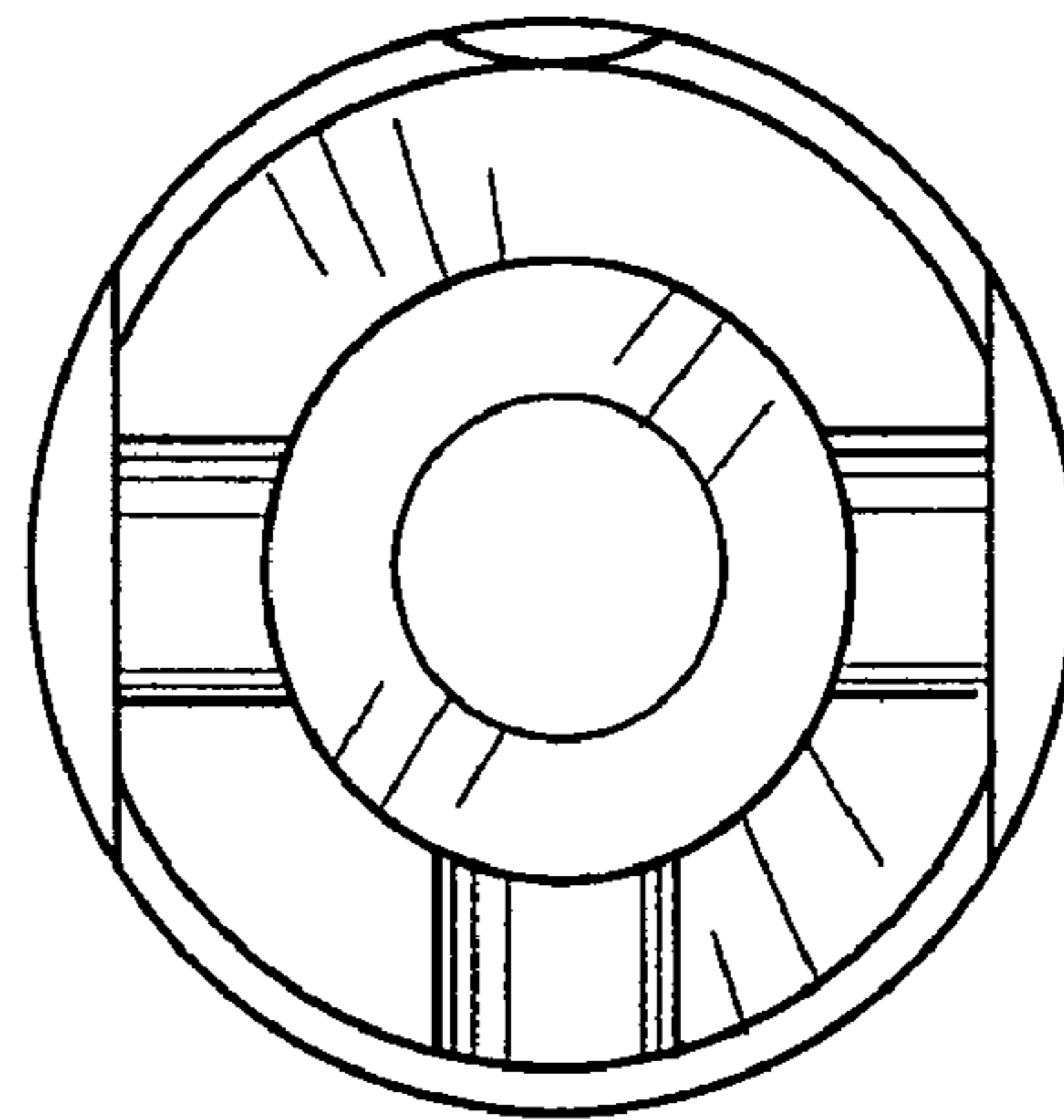


FIG. 3.

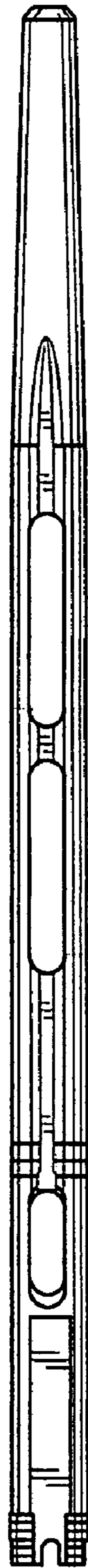


FIG. 4.



FIG. 5.