

US00D604843S

(12) **United States Design Patent**
Braynin et al.

(10) **Patent No.:** **US D604,843 S**
(45) **Date of Patent:** **** Nov. 24, 2009**

(54) **REMOVABLE TIP OF A HANDPIECE FOR A DERMATOLOGICAL OPTICAL DELIVERY SYSTEM**

U.S. Appl. No. 29/296,766, filed Oct. 26, 2007, first named Inventor Boris Braynin.

* cited by examiner

(75) Inventors: **Boris Braynin**, San Jose, CA (US);
Jeffrey L. Sobiech, San Jose, CA (US)

Primary Examiner—Ian Simmons
Assistant Examiner—Anna J Burmeister

(73) Assignee: **Reliant Technologies, Inc.**, Mountain View, CA (US)

(74) *Attorney, Agent, or Firm*—Wood, Herron & Evans, LLP

(**) Term: **14 Years**

(57) **CLAIM**

(21) Appl. No.: **29/305,886**

The ornamental design for a removable tip of a handpiece for a dermatological optical delivery system, as shown and described.

(22) Filed: **Mar. 28, 2008**

(51) **LOC (9) Cl.** **24-02**

DESCRIPTION

(52) **U.S. Cl.** **D24/133**

(58) **Field of Classification Search** D24/107,
D24/133; 606/4, 9, 131, 80; 604/410
See application file for complete search history.

FIG. 1 is a perspective view showing the top, front side, and right side of a removable tip of a handpiece for a dermatological optical delivery system according to our new design; FIG. 2 is a perspective view showing the top, rear side, and left side thereof;

(56) **References Cited**

U.S. PATENT DOCUMENTS

D320,279 S *	9/1991	McQueen	D24/215
D481,463 S *	10/2003	Cook et al.	D24/200
D495,054 S *	8/2004	Laun et al.	D24/146
D510,158 S *	9/2005	Cheung	D28/58
D546,470 S *	7/2007	Wu	D24/215
D562,451 S	2/2008	Braynin et al.		

FIG. 3 is a front view thereof;

FIG. 4 is a rear view thereof;

FIG. 5 is a left side view thereof;

FIG. 6 is a right side view thereof;

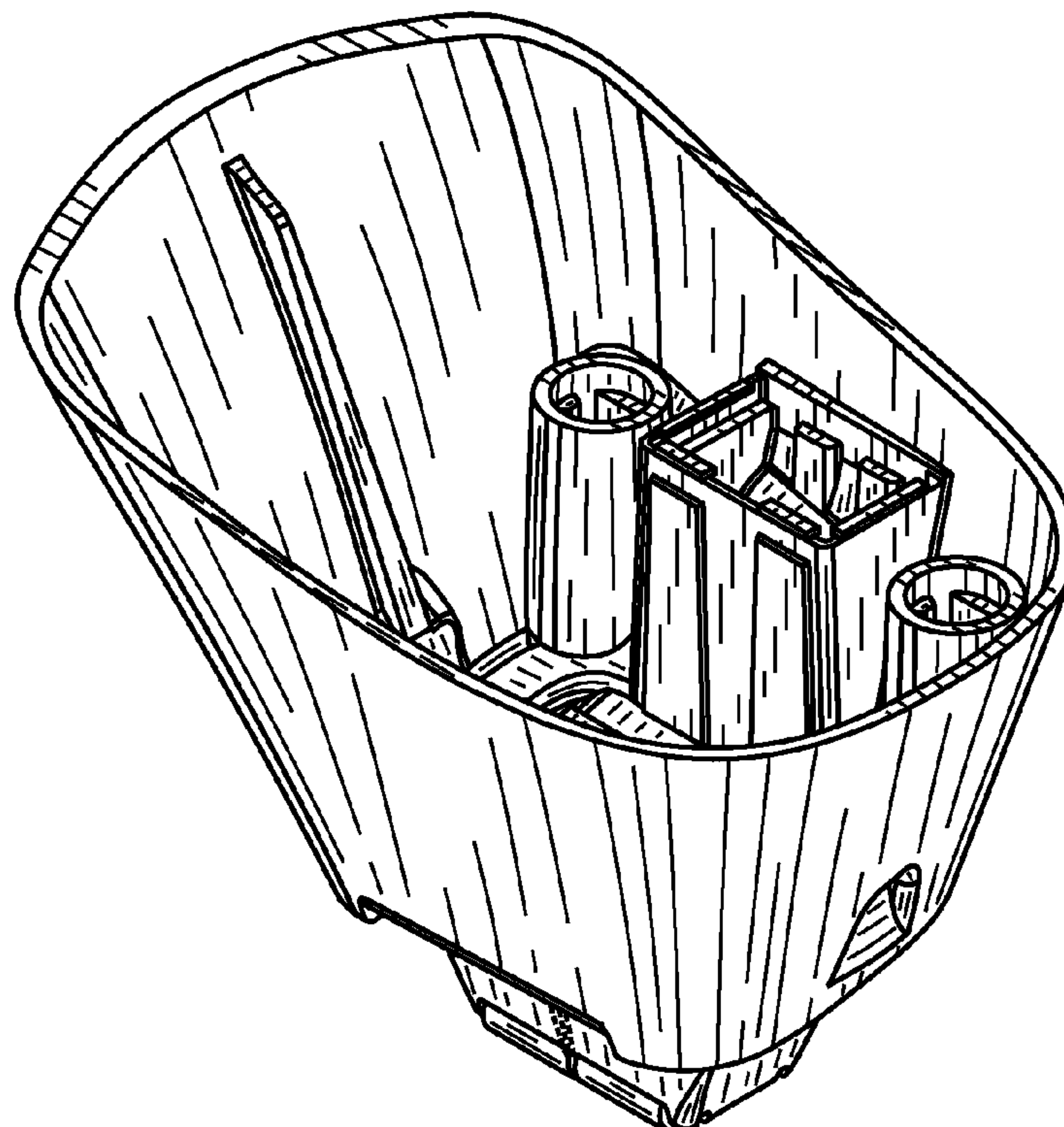
FIG. 7 is a top view thereof; and,

FIG. 8 is a bottom view thereof.

OTHER PUBLICATIONS

U.S. Appl. No. 29/305,884, filed Mar. 28, 2008, first named Inventor Boris Braynin.

1 Claim, 4 Drawing Sheets



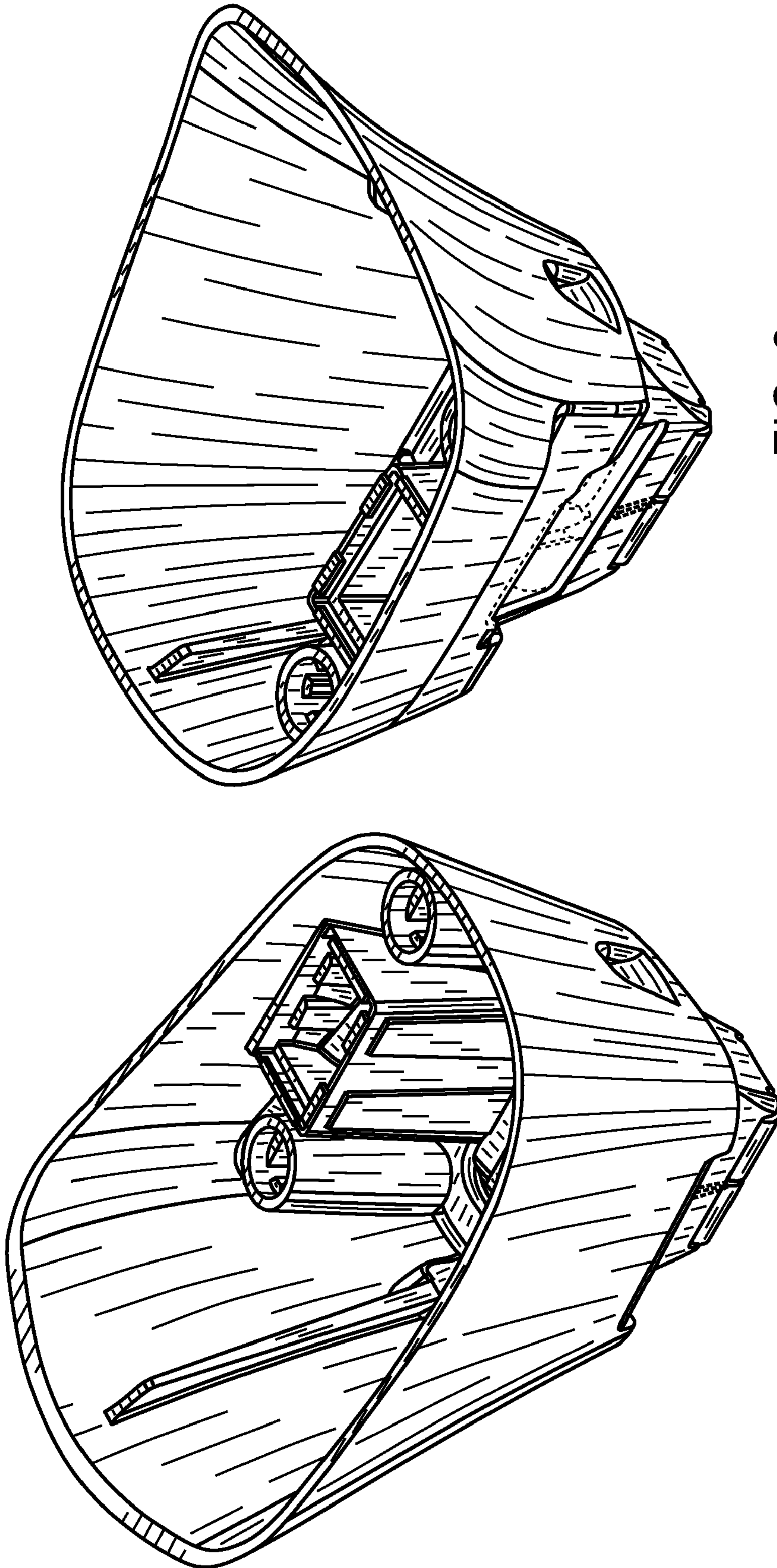


FIG. 2

FIG. 1

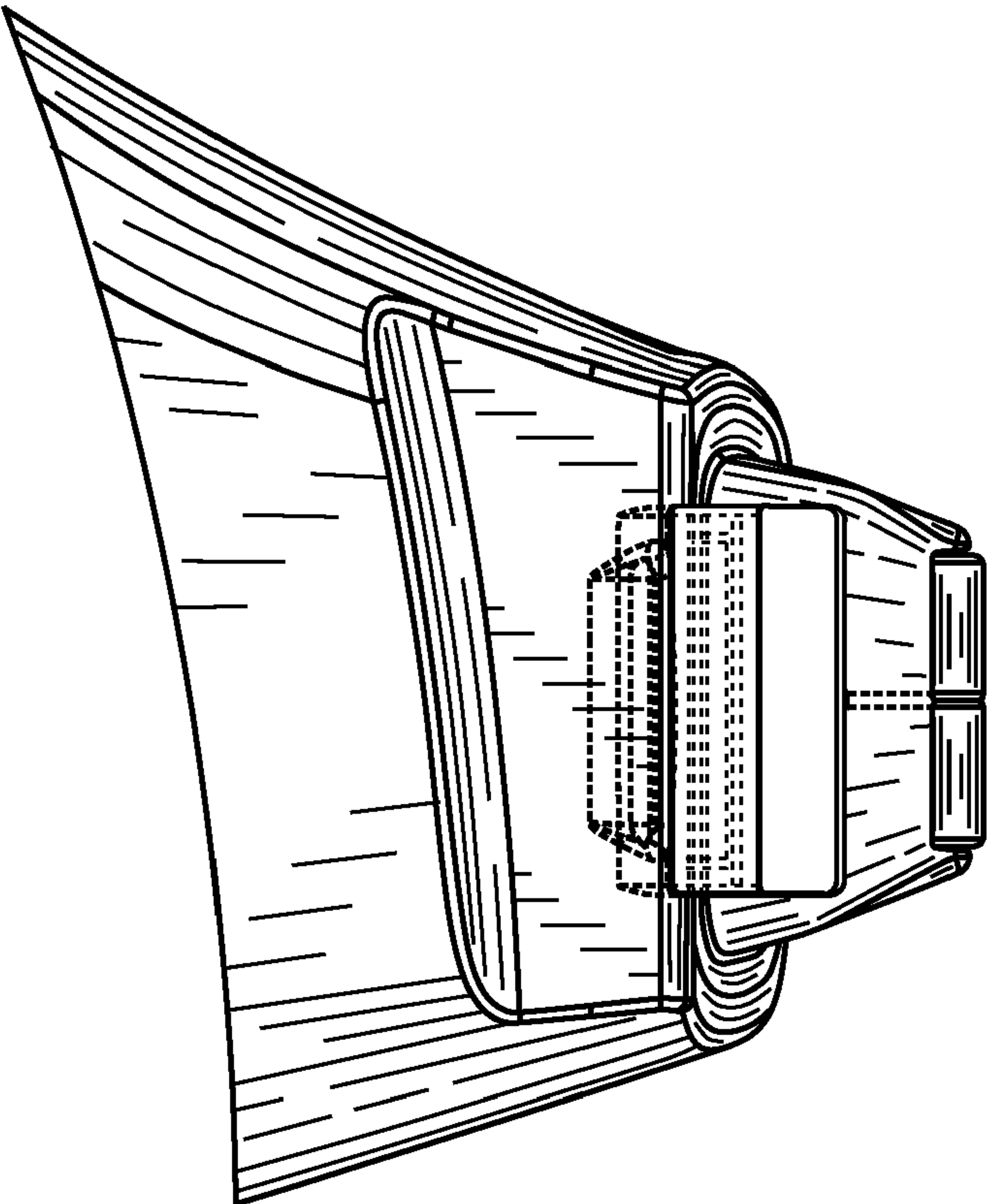


FIG. 4

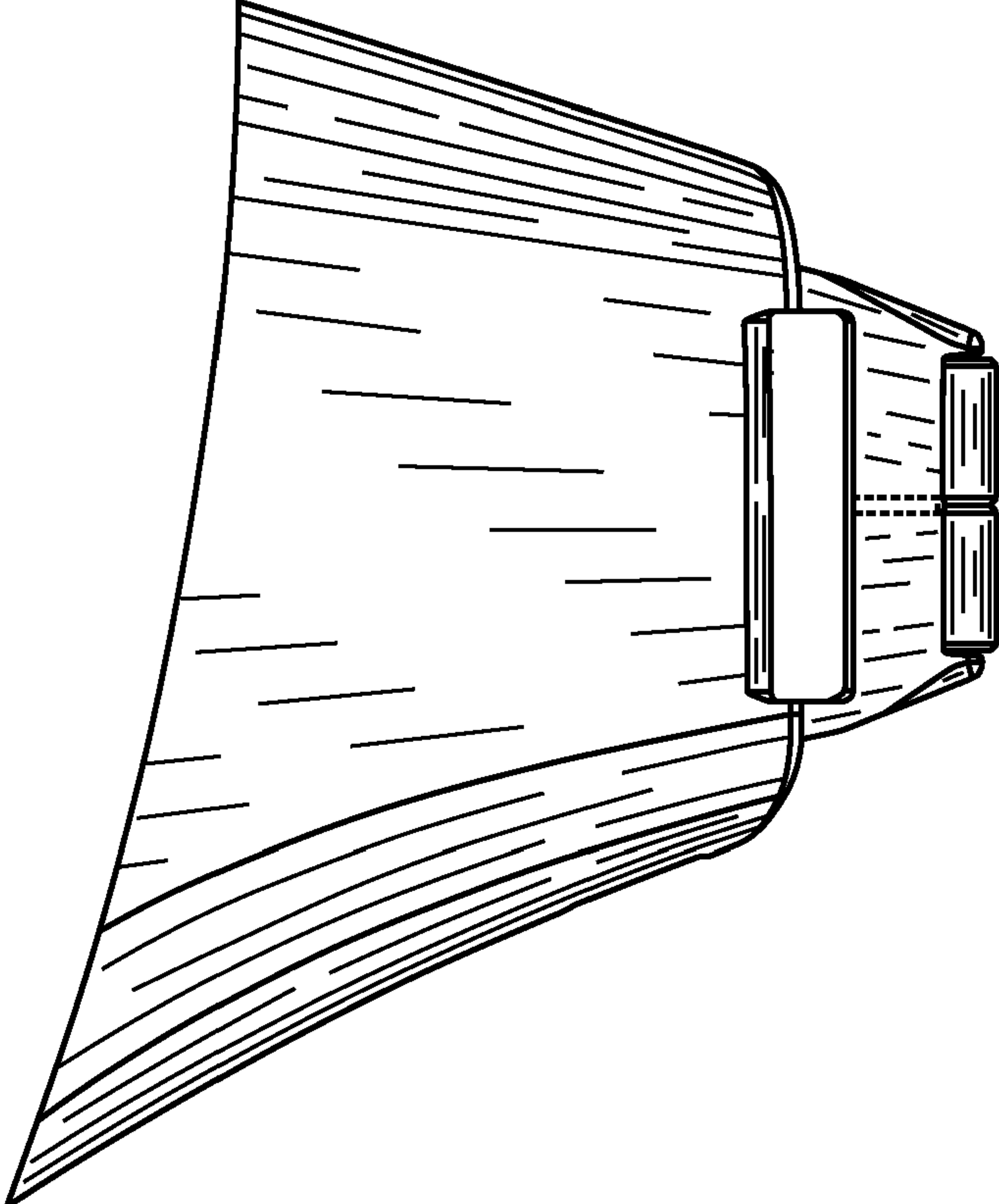


FIG. 3

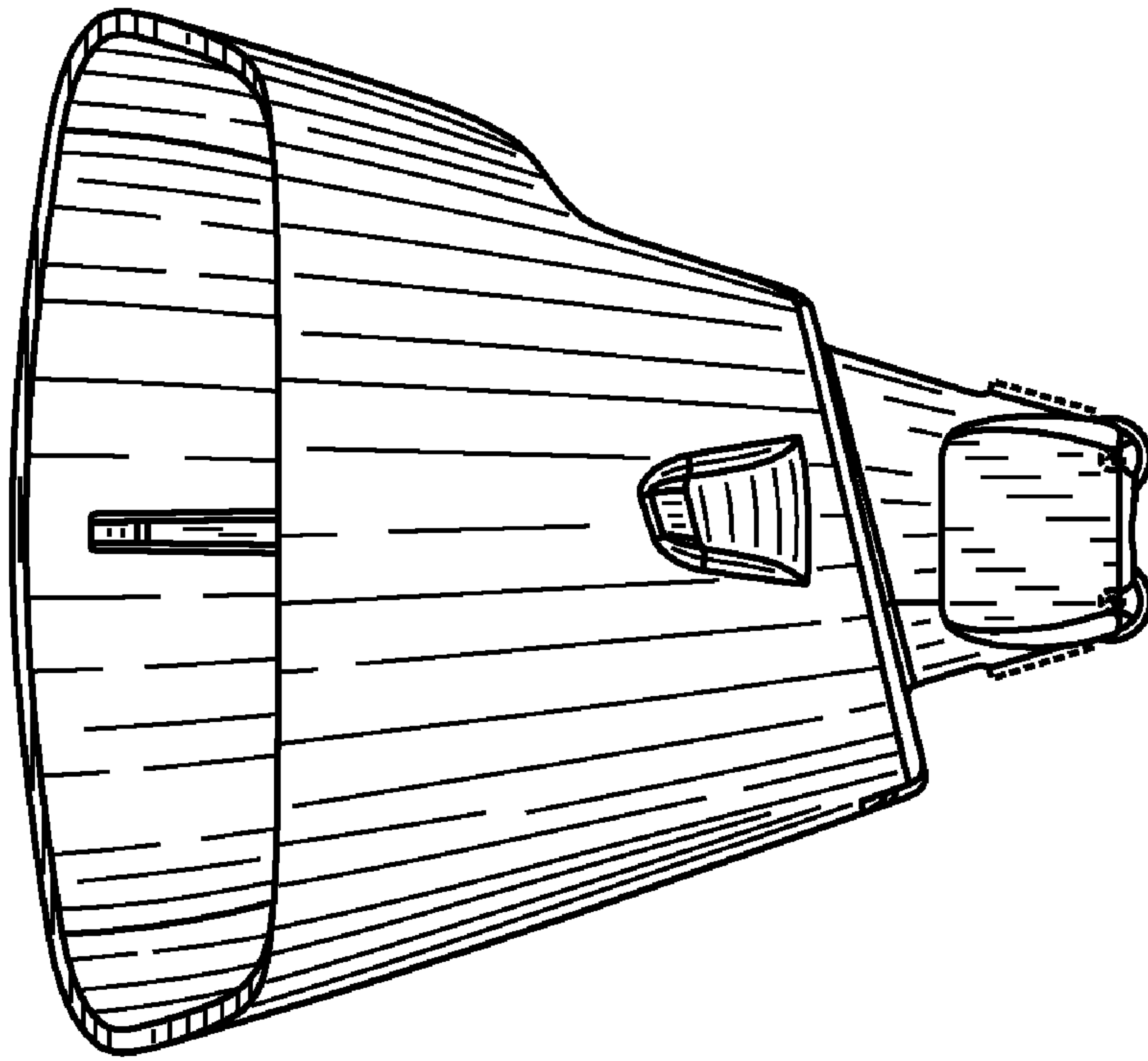


FIG. 6

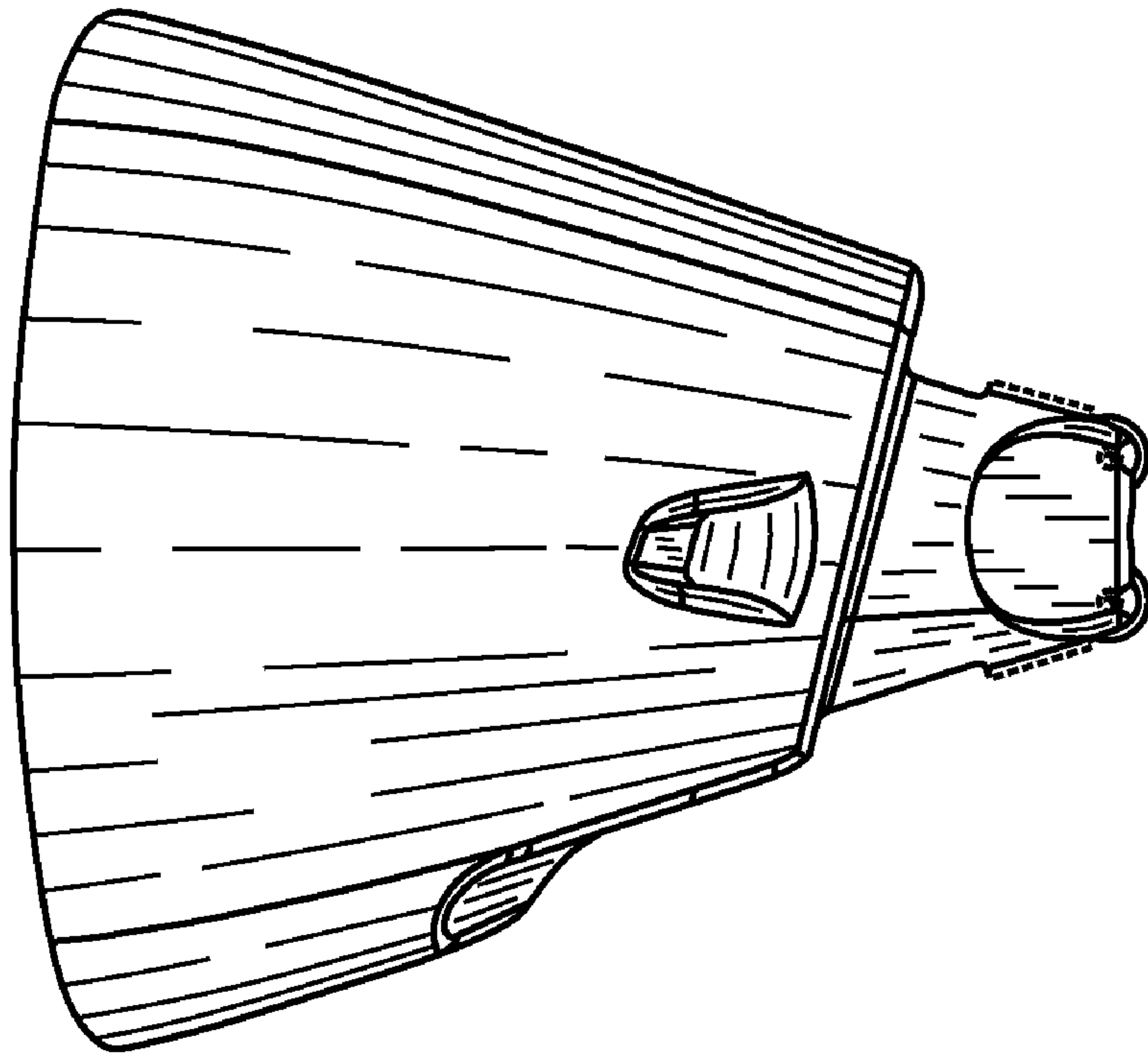


FIG. 5

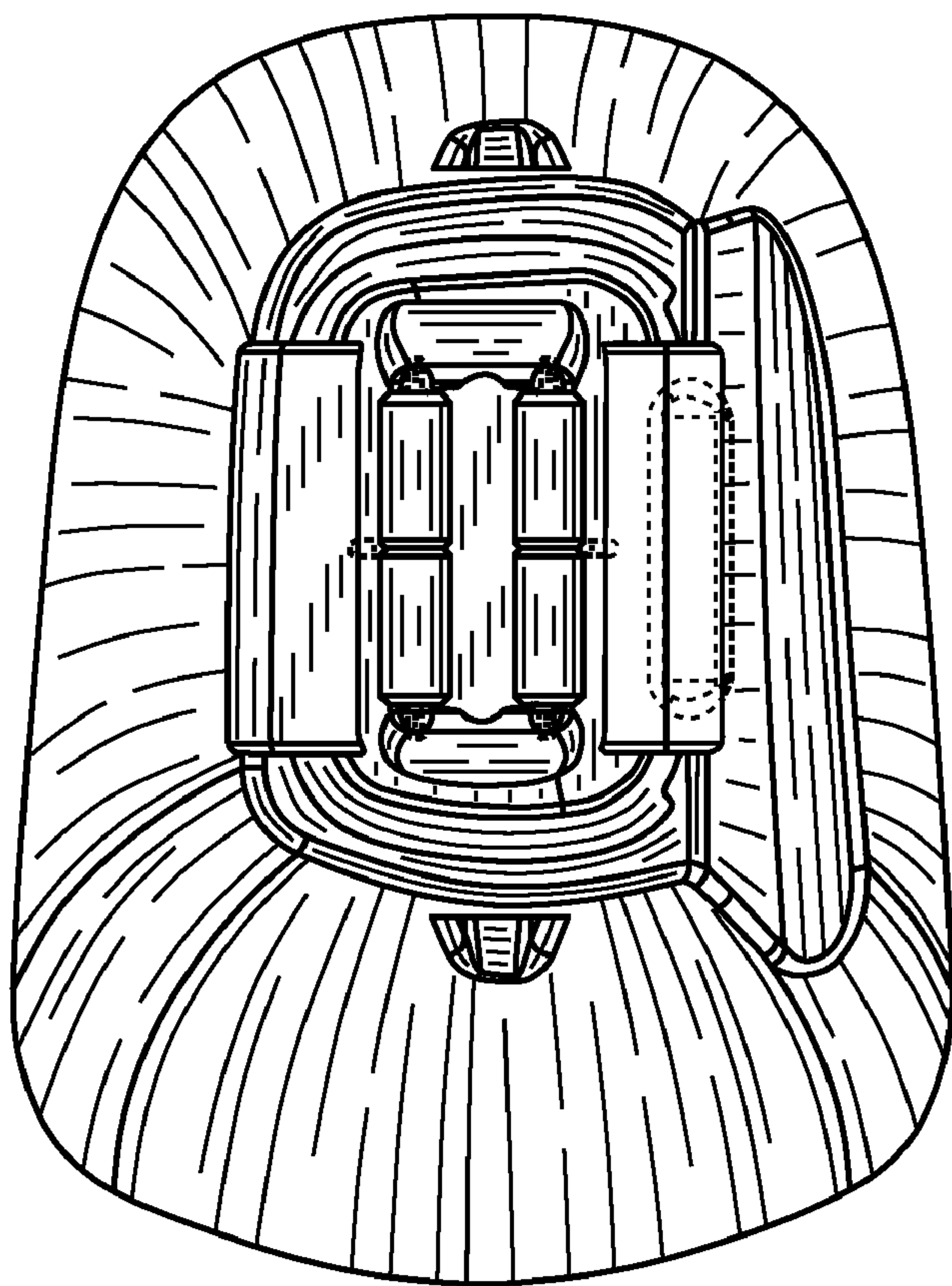


FIG. 8

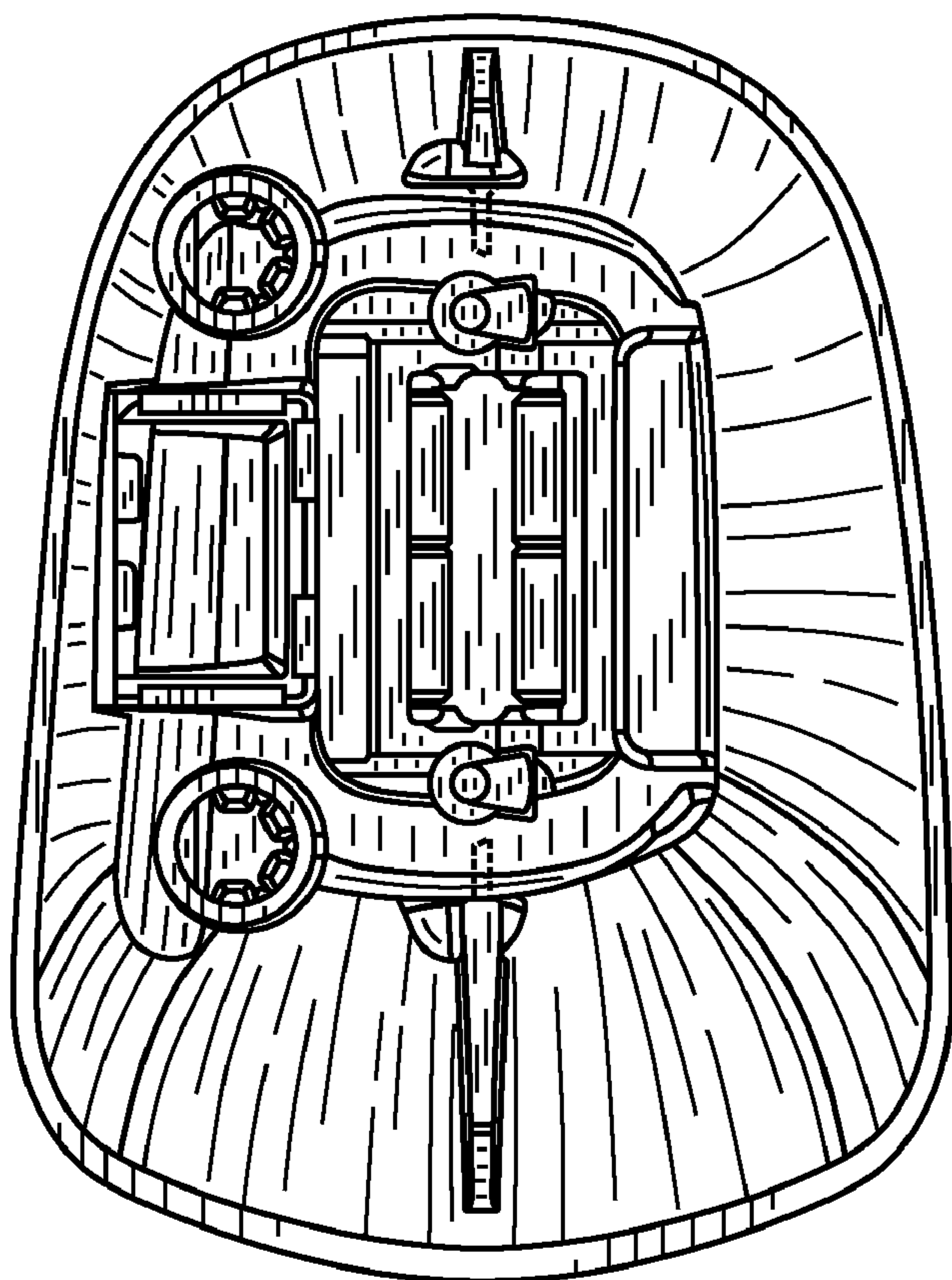


FIG. 7