



US00D604838S

(12) **United States Design Patent**  
**Crawford et al.**

(10) **Patent No.:** **US D604,838 S**

(45) **Date of Patent:** **\*\* Nov. 24, 2009**

(54) **SAFETY BLOOD COLLECTION ASSEMBLY**

(57) **CLAIM**

(75) Inventors: **Jamieson Crawford**, Cliffside Park, NJ (US); **Bradley M. Wilkinson**, North Haledon, NJ (US)

The ornamental design for a safety blood collection assembly, as shown and described.

(73) Assignee: **Becton, Dickinson and Company**, Franklin Lakes, NJ (US)

**DESCRIPTION**

(\*\*) Term: **14 Years**

FIG. 1 is a perspective view of a safety blood collection assembly having an exposed needle, and with the needle shield removed, in accordance with an embodiment of the present invention;

(21) Appl. No.: **29/304,801**

FIG. 2 is a top view of the safety blood collection assembly of FIG. 1;

(22) Filed: **Mar. 7, 2008**

FIG. 3 is a left side view of the safety blood collection assembly of FIG. 1;

(51) **LOC (9) Cl.** ..... **24-02**

FIG. 4 is a front view of the safety blood collection assembly of FIG. 1;

(52) **U.S. Cl.** ..... **D24/130**

FIG. 5 is a rear view of the safety blood collection assembly of FIG. 1;

(58) **Field of Classification Search** ..... D24/112, D24/130, 113, 146; 604/110, 192, 195-196, 604/198, 410, 576-578, 583; 263/363-365  
See application file for complete search history.

FIG. 6 is right side view of the safety blood collection assembly of FIG. 1;

(56) **References Cited**

FIG. 7 is a bottom view of the safety blood collection assembly of FIG. 1;

**U.S. PATENT DOCUMENTS**

FIG. 8 is a perspective view of the safety blood collection assembly of FIG. 1 having a needle shield disposed thereon in accordance with an embodiment of the present invention;

4,573,976 A 3/1986 Sampson et al.  
4,641,663 A 2/1987 Juhn

FIG. 9 is a top view of the safety blood collection assembly of FIG. 8;

(Continued)

**OTHER PUBLICATIONS**

FIG. 10 is a left side view of the safety blood collection assembly of FIG. 8;

U.S. Appl. No. 11/572,220, filed Aug. 26, 2008; Swenson.  
U.S. Appl. No. 12/044,469, filed Mar. 7, 2008; Crawford.  
U.S. Appl. No. 12/206,273, filed Sep. 9, 2008; Tan.  
U.S. Appl. No. 12/206,299, filed Sep. 9, 2008; Crawford.  
U.S. Appl. No. 29/304,786, filed Mar. 7, 2008; Crawford.  
U.S. Appl. No. 29/304,794, filed Mar. 7, 2008; Crawford.  
U.S. Appl. No. 29/304,796, filed Mar. 7, 2008; Crawford.  
U.S. Appl. No. 29/304,807, filed Mar. 7, 2008; Crawford.

FIG. 11 is a front view of the safety blood collection assembly of FIG. 8;

FIG. 12 is a rear view of the safety blood collection assembly of FIG. 8;

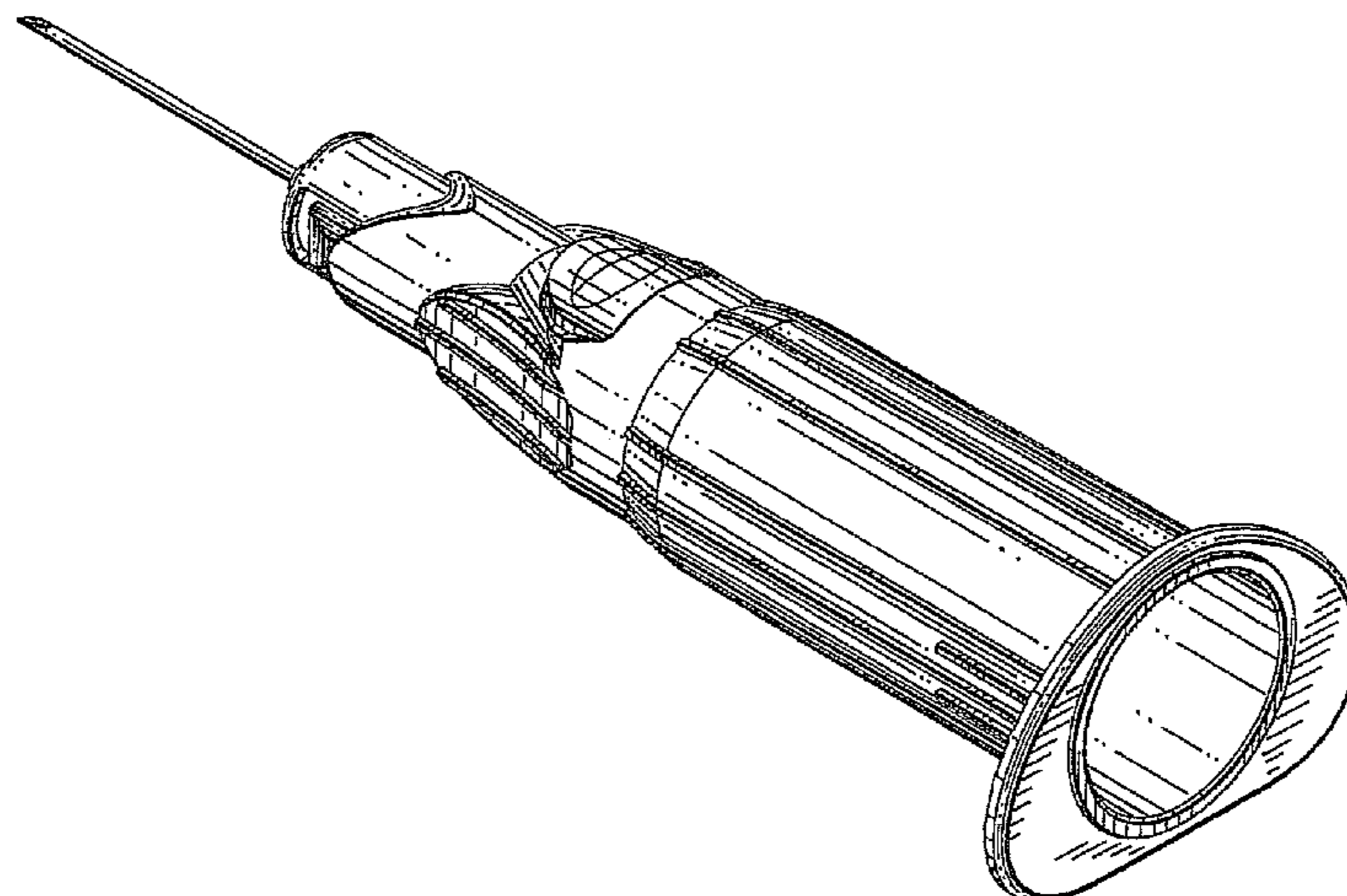
FIG. 13 is a right side view of the safety blood collection assembly of FIG. 8; and,

FIG. 14 is a bottom view of the safety blood collection assembly of FIG. 8.

The portions of the safety blood collection assembly shown in broken lines in FIGS. 5, 11, and 12 form no part of the claimed design.

*Primary Examiner*—T. Chase Nelson  
*Assistant Examiner*—Eric L Goodman  
(74) *Attorney, Agent, or Firm*—The Webb Law Firm

**1 Claim, 8 Drawing Sheets**



# US D604,838 S

Page 2

## U.S. PATENT DOCUMENTS

4,795,443	A	1/1989	Permenter et al.	6,592,556	B1	7/2003	Thorne
4,840,619	A	6/1989	Hughes	6,623,456	B1	9/2003	Holdaway et al.
4,894,055	A	1/1990	Sudnak	6,635,032	B2	10/2003	Ward, Jr.
4,900,307	A	2/1990	Kulli	6,648,855	B2	11/2003	Crawford et al.
4,994,046	A	2/1991	Wesson et al.	D484,976	S *	1/2004	Wilkinson ..... D24/130
5,015,241	A	5/1991	Feimer	6,699,217	B2	3/2004	Bennett et al.
5,215,534	A	6/1993	De Harde et al.	6,712,792	B2	3/2004	Leong
5,222,502	A	6/1993	Kurose	6,780,169	B2	8/2004	Crawford
5,242,417	A	9/1993	Paudler	6,837,877	B2	1/2005	Zurcher
5,303,713	A	4/1994	Kurose	6,869,415	B2	3/2005	Asbaghi
5,312,372	A	5/1994	DeHarde et al.	6,905,483	B2 *	6/2005	Newby et al. .... 604/164.08
5,336,199	A	8/1994	Castillo et al.	6,949,086	B2 *	9/2005	Ferguson et al. .... 604/198
5,348,544	A	9/1994	Sweeney et al.	6,984,223	B2 *	1/2006	Newby et al. .... 604/263
5,356,392	A	10/1994	Firth et al.	6,997,913	B2 *	2/2006	Wilkinson ..... 604/263
5,411,492	A	5/1995	Sturman et al.	7,001,363	B2	2/2006	Ferguson et al.
5,466,223	A	11/1995	Bressler et al.	7,041,066	B2 *	5/2006	Wilkinson ..... 600/576
5,501,675	A	3/1996	Erskine	7,063,673	B2 *	6/2006	Marsden ..... 600/576
5,672,161	A	9/1997	Allen et al.	7,128,726	B2	10/2006	Crawford et al.
5,676,658	A	10/1997	Erskine	7,147,624	B2	12/2006	Hirsiger et al.
5,702,369	A	12/1997	Mercereau	7,163,526	B2	1/2007	Leong et al.
5,704,920	A	1/1998	Gyure	7,182,734	B2 *	2/2007	Saulenas et al. .... 600/573
5,755,522	A	5/1998	Ito	7,198,618	B2 *	4/2007	Ferguson et al. .... 604/198
5,984,899	A	11/1999	D'Alessio et al.	7,201,740	B2 *	4/2007	Crawford ..... 604/198
D422,700	S	4/2000	Crawford et al.	7,223,258	B2	5/2007	Crawford
6,149,629	A	11/2000	Wilson et al.	7,428,773	B2	9/2008	Newby et al.
D436,169	S *	1/2001	Wilkinson et al. .... D24/130	2002/0193748	A1	12/2002	Cocker et al.
D439,975	S *	4/2001	Wilkinson et al. .... D24/130	2003/0093009	A1 *	5/2003	Newby et al. .... 600/576
D440,657	S *	4/2001	Wilkinson et al. .... D24/130	2004/0010228	A1 *	1/2004	Swenson et al. .... 604/110
D442,280	S	5/2001	Crawford et al.	2004/0059302	A1	3/2004	Crawford et al.
D445,183	S *	7/2001	McWethy et al. .... D24/130	2004/0092872	A1	5/2004	Botich et al.
6,261,263	B1	7/2001	Huet et al.	2004/0111057	A1 *	6/2004	Wilkinson ..... 604/110
6,298,541	B1	10/2001	Newby et al.	2004/0193120	A1 *	9/2004	Ferguson et al. .... 604/263
D450,834	S *	11/2001	Newby et al. .... D24/112	2004/0210197	A1 *	10/2004	Conway ..... 604/198
D460,180	S *	7/2002	Swenson ..... D24/130	2005/0004524	A1	1/2005	Newby et al.
D460,183	S *	7/2002	Wilkinson et al. .... D24/130	2005/0187493	A1	8/2005	Swenson et al.
D461,245	S *	8/2002	Niermann ..... D24/130	2005/0215951	A1 *	9/2005	Saulenas et al. .... 604/110
6,436,086	B1	8/2002	Newby et al.	2006/0036219	A1	2/2006	Alvin
6,440,104	B1	8/2002	Newby et al.	2007/0167914	A1	7/2007	Leong et al.
6,524,276	B1 *	2/2003	Halseth et al. .... 604/110	2007/0179451	A1 *	8/2007	Sprinkle et al. .... 604/192
6,533,760	B2	3/2003	Leong	2007/0282275	A1 *	12/2007	Ferguson et al. .... 604/198

\* cited by examiner

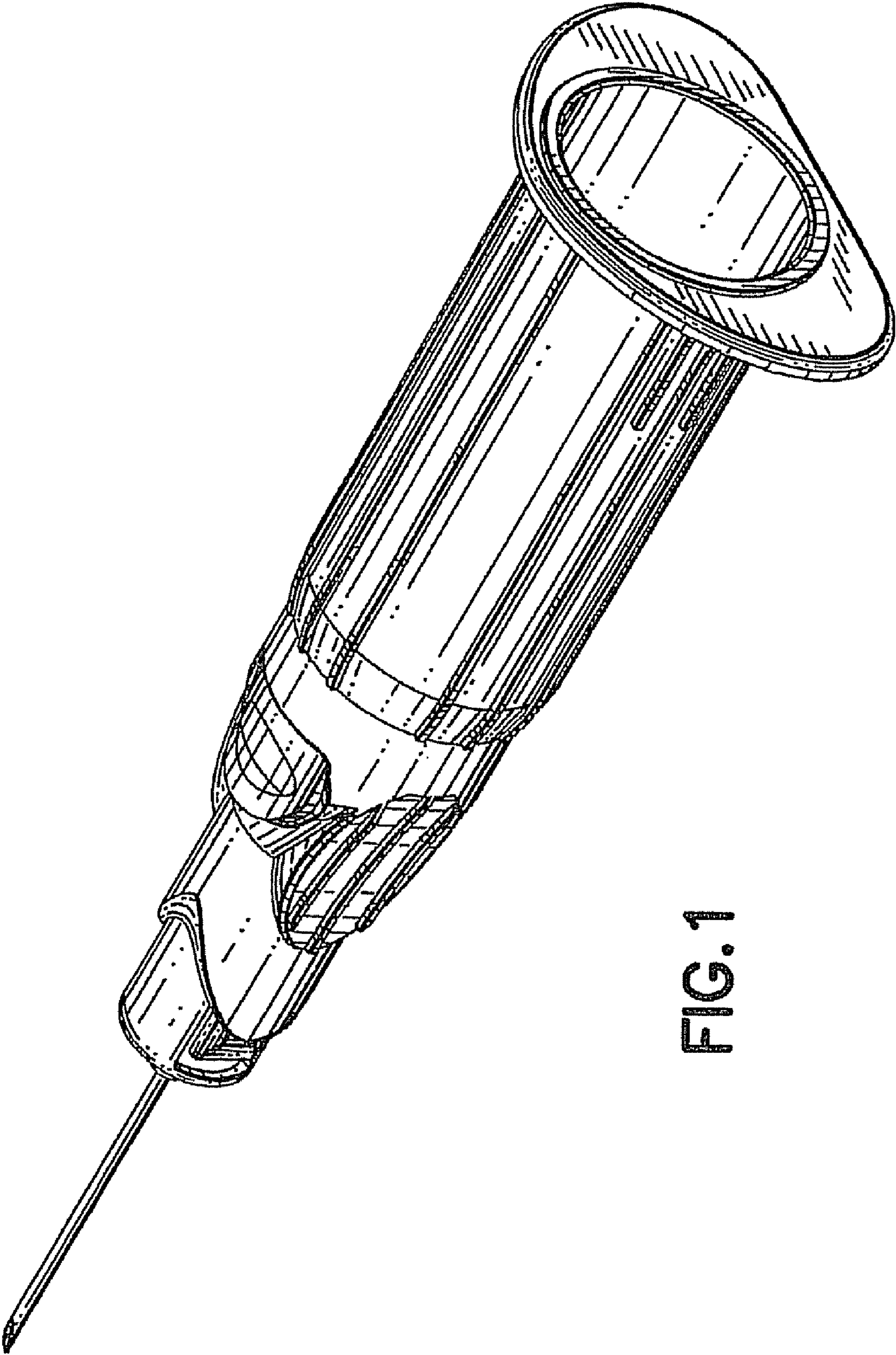
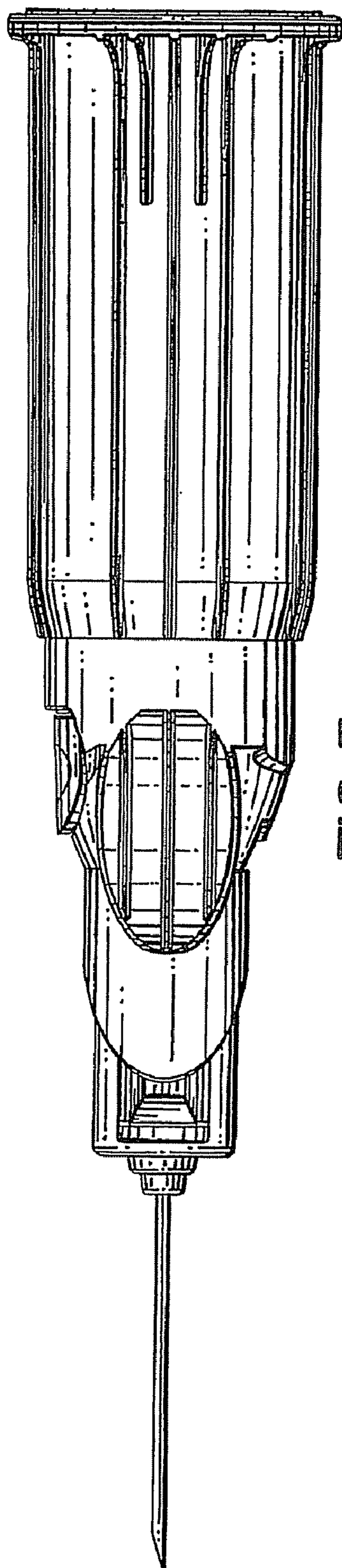
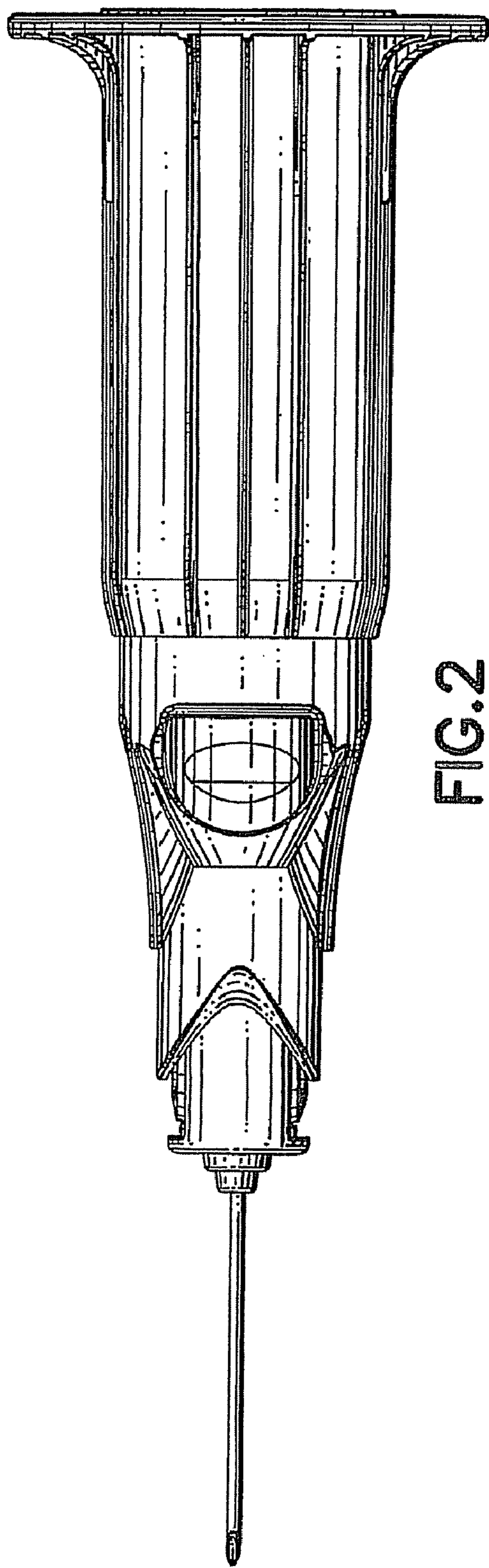


FIG. 1



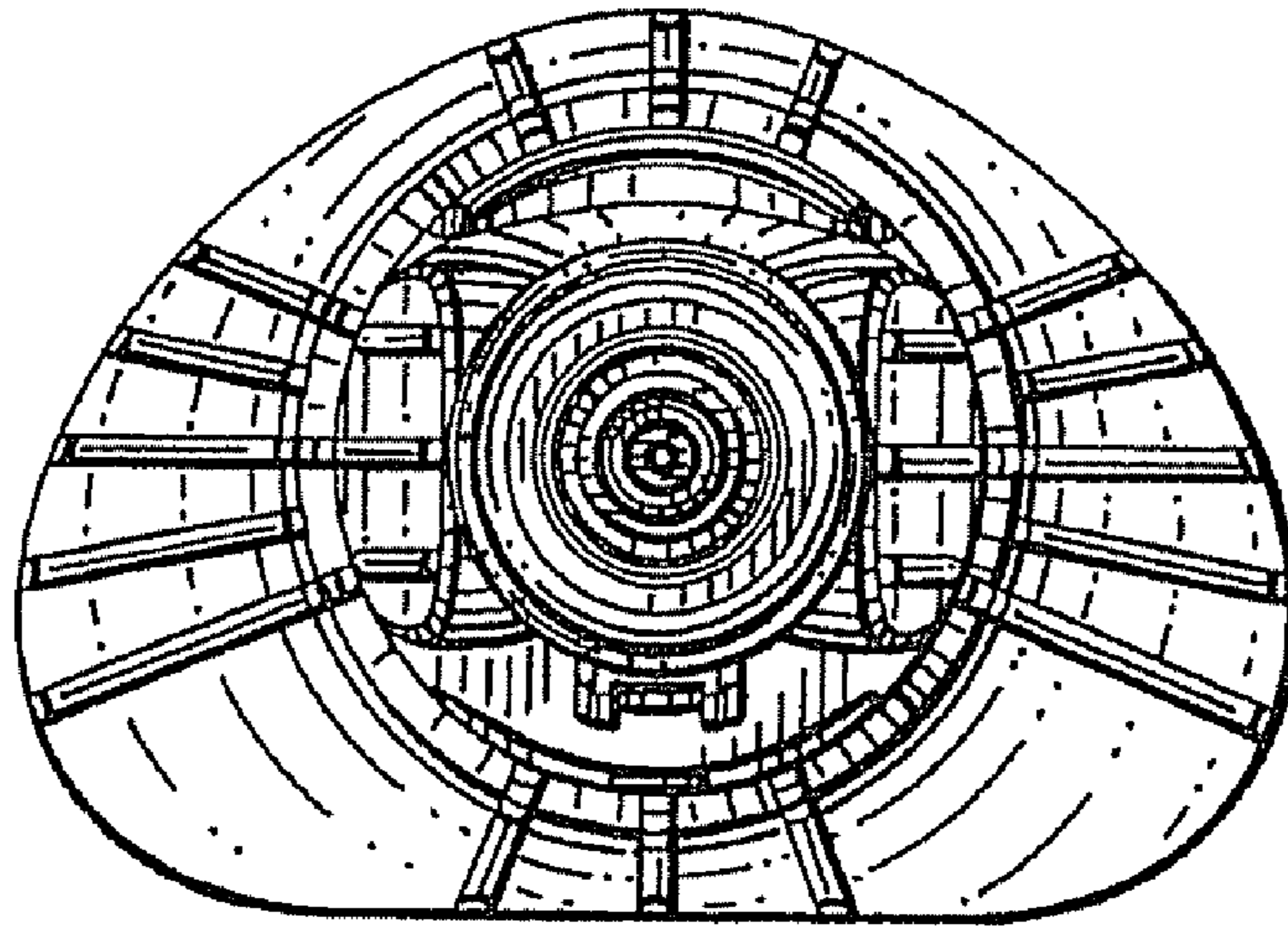


FIG. 4

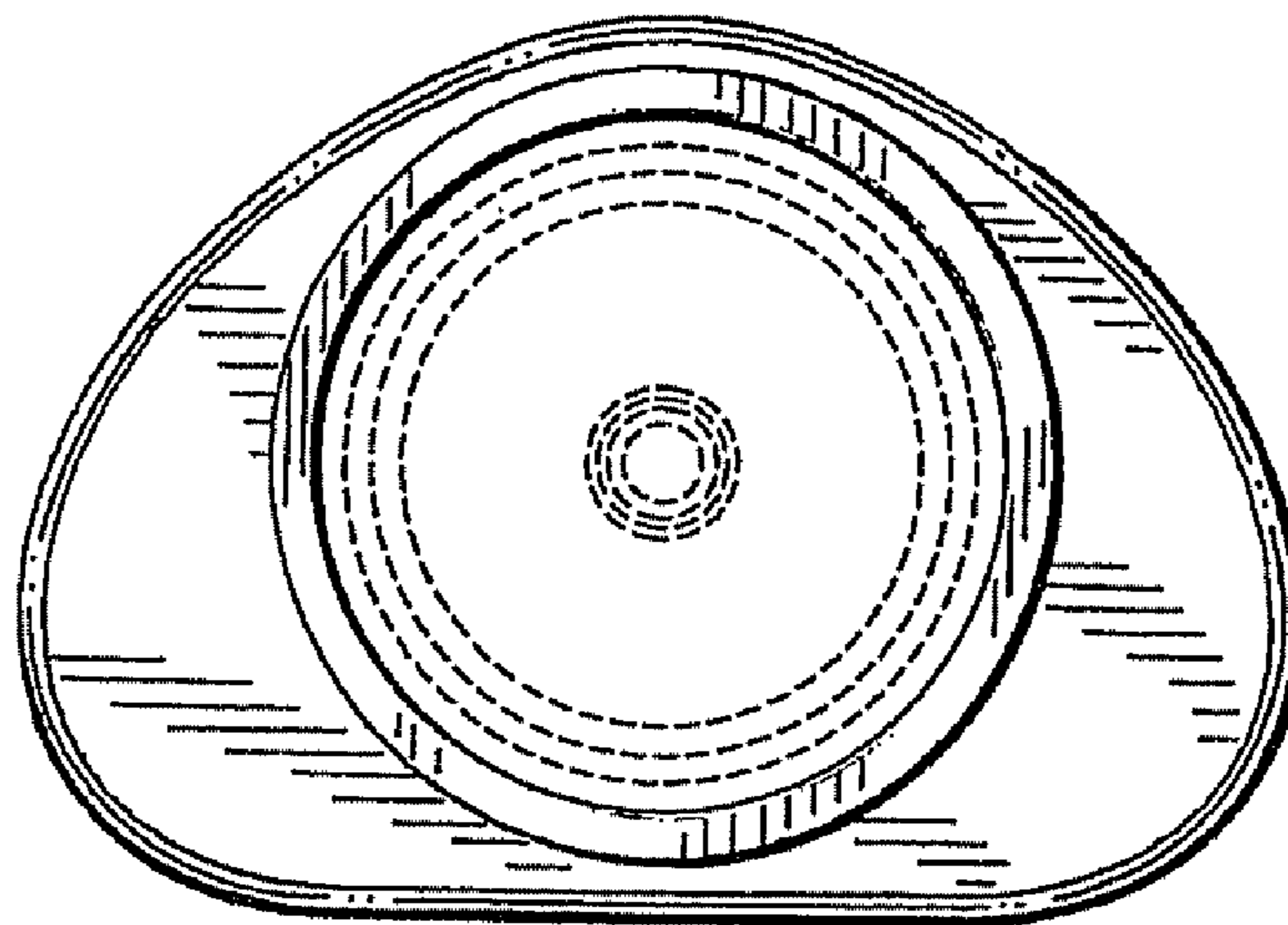


FIG. 5

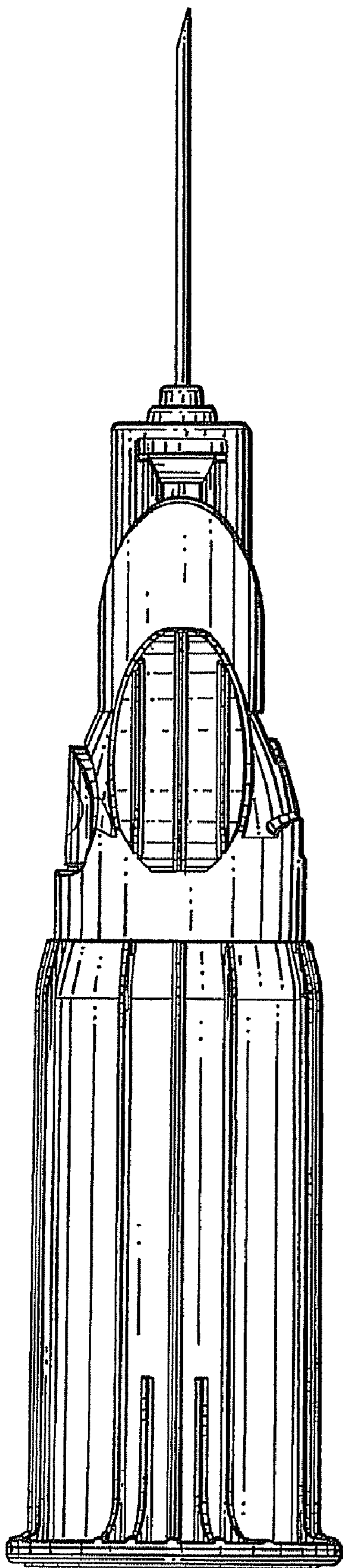


FIG. 6

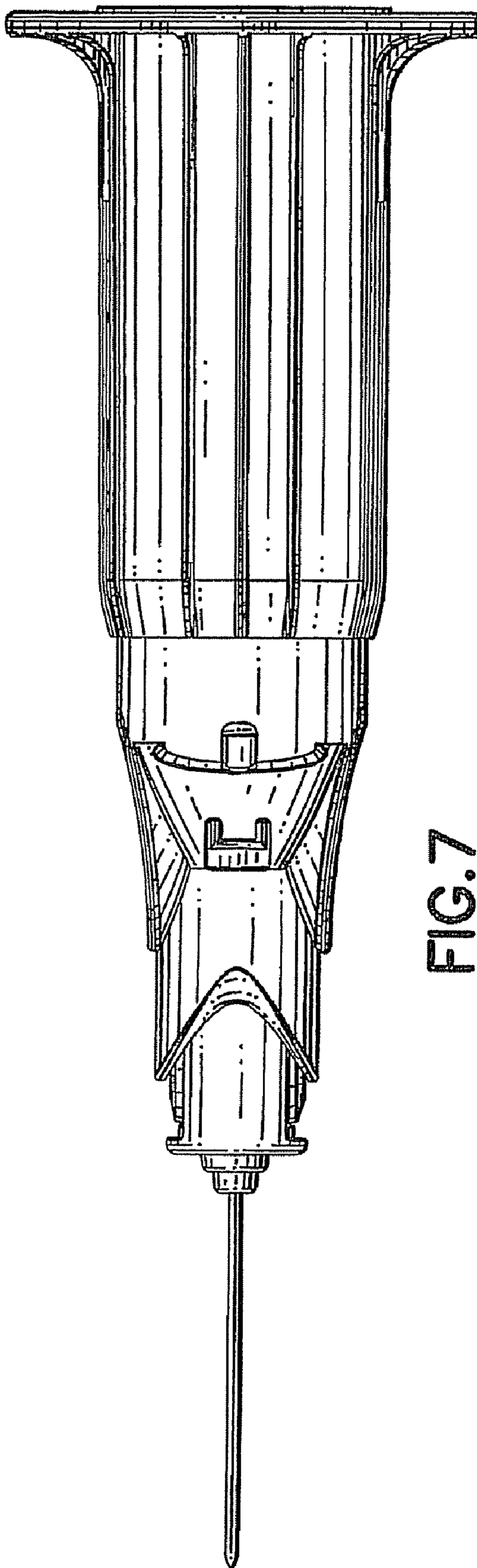


FIG. 7

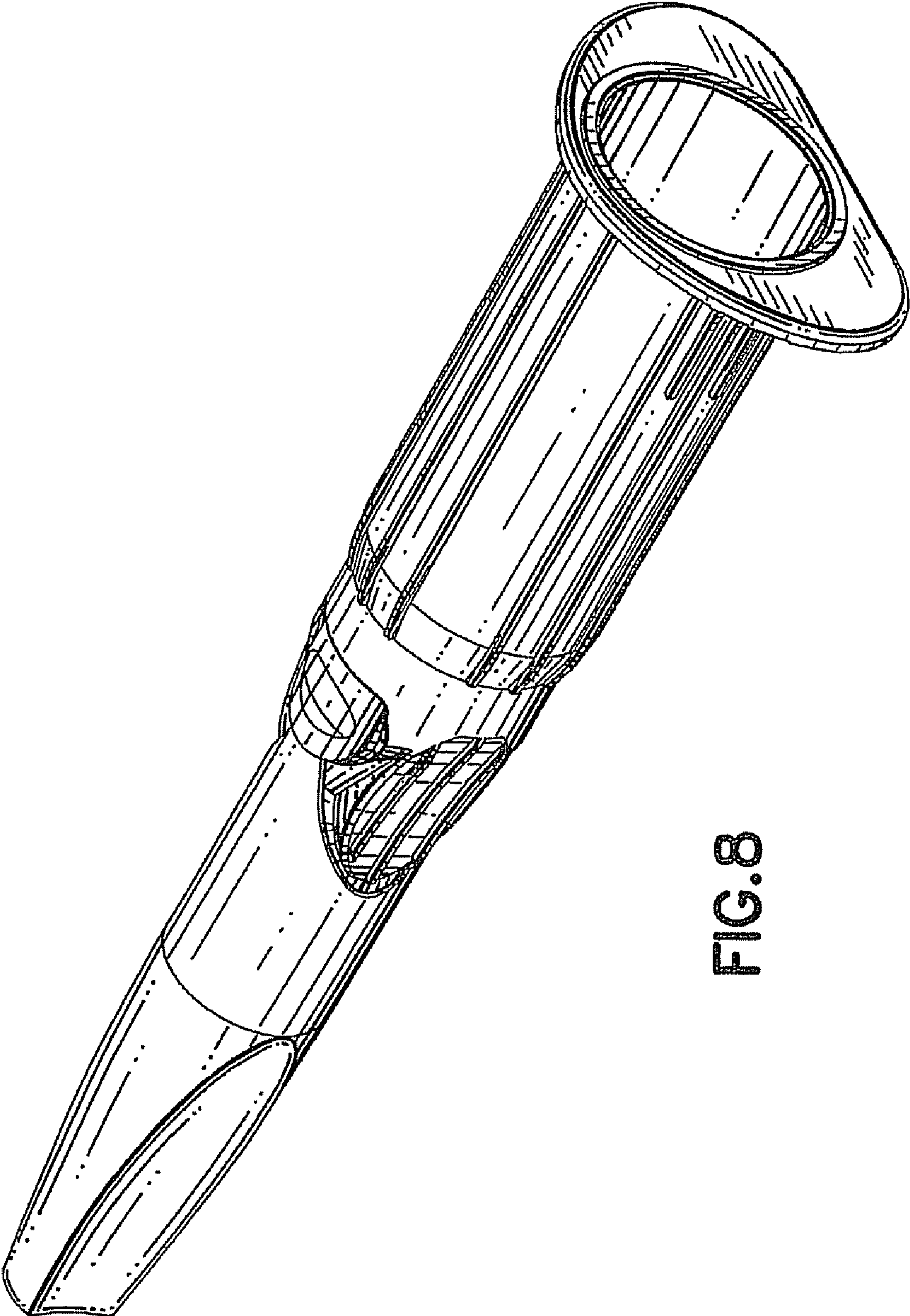


FIG. 8

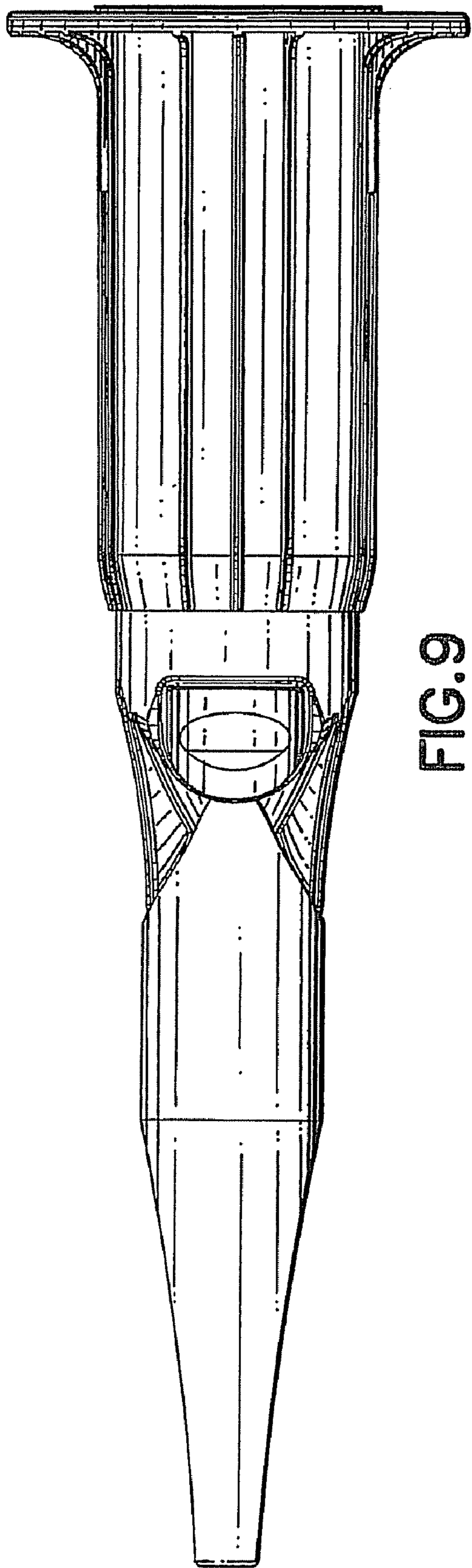


FIG. 9

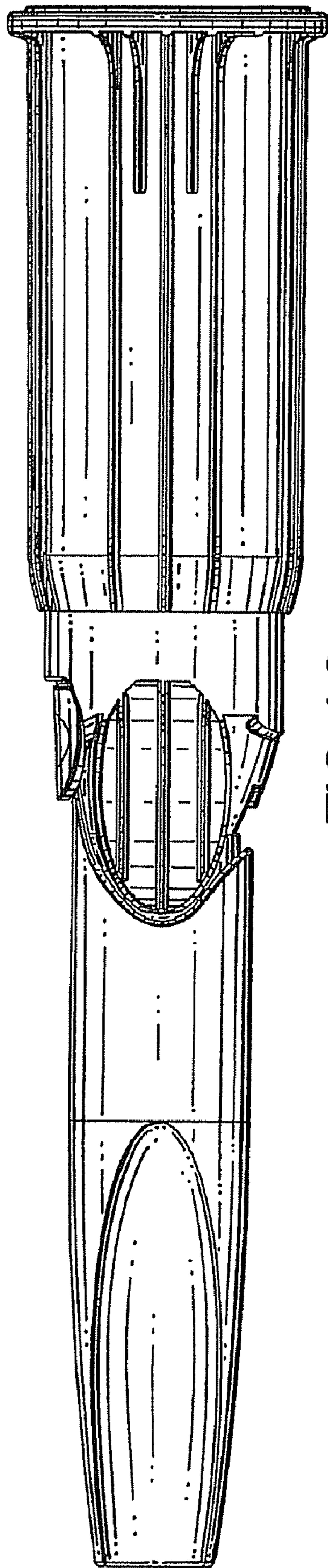


FIG. 10



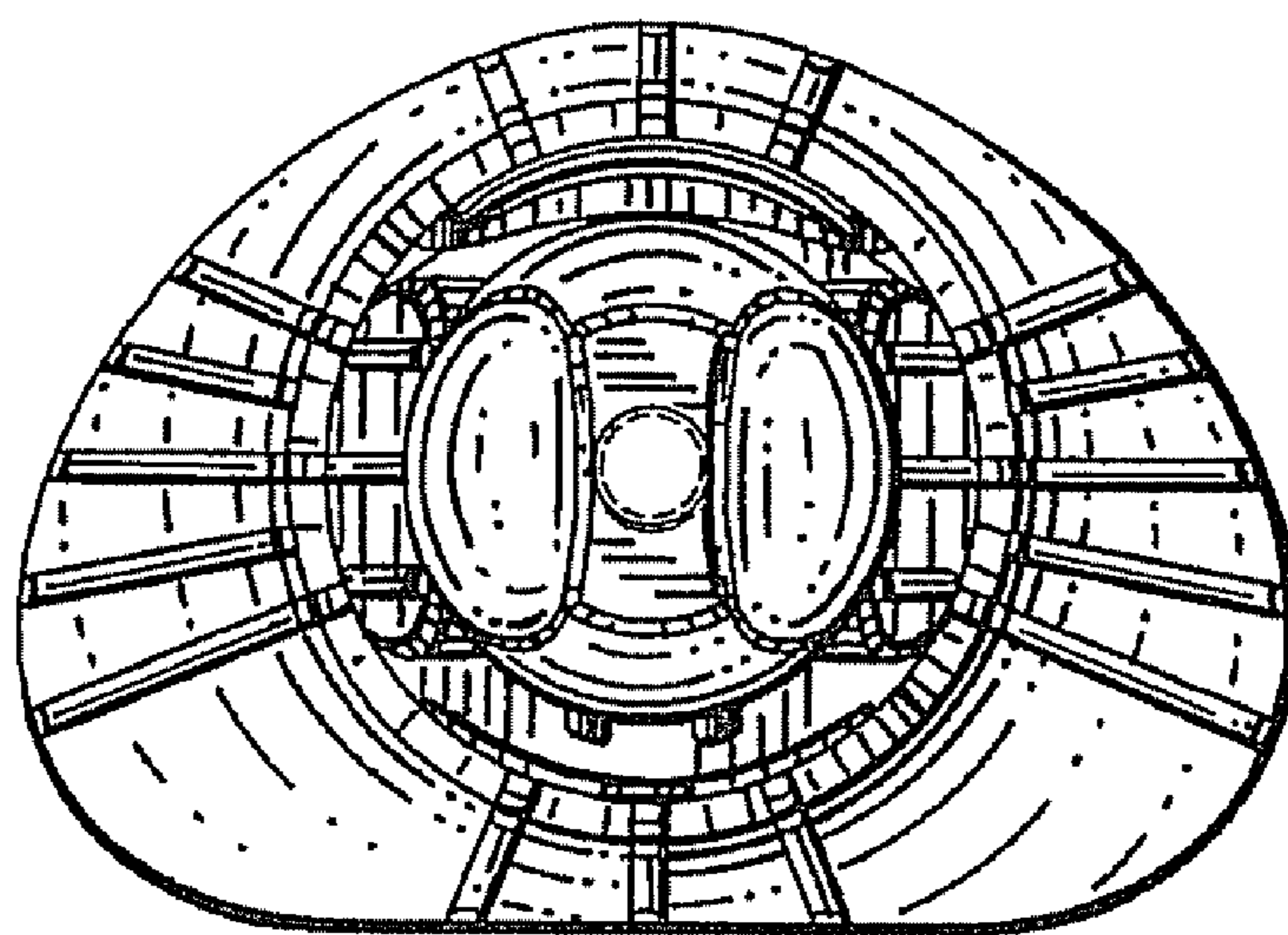


FIG. 11

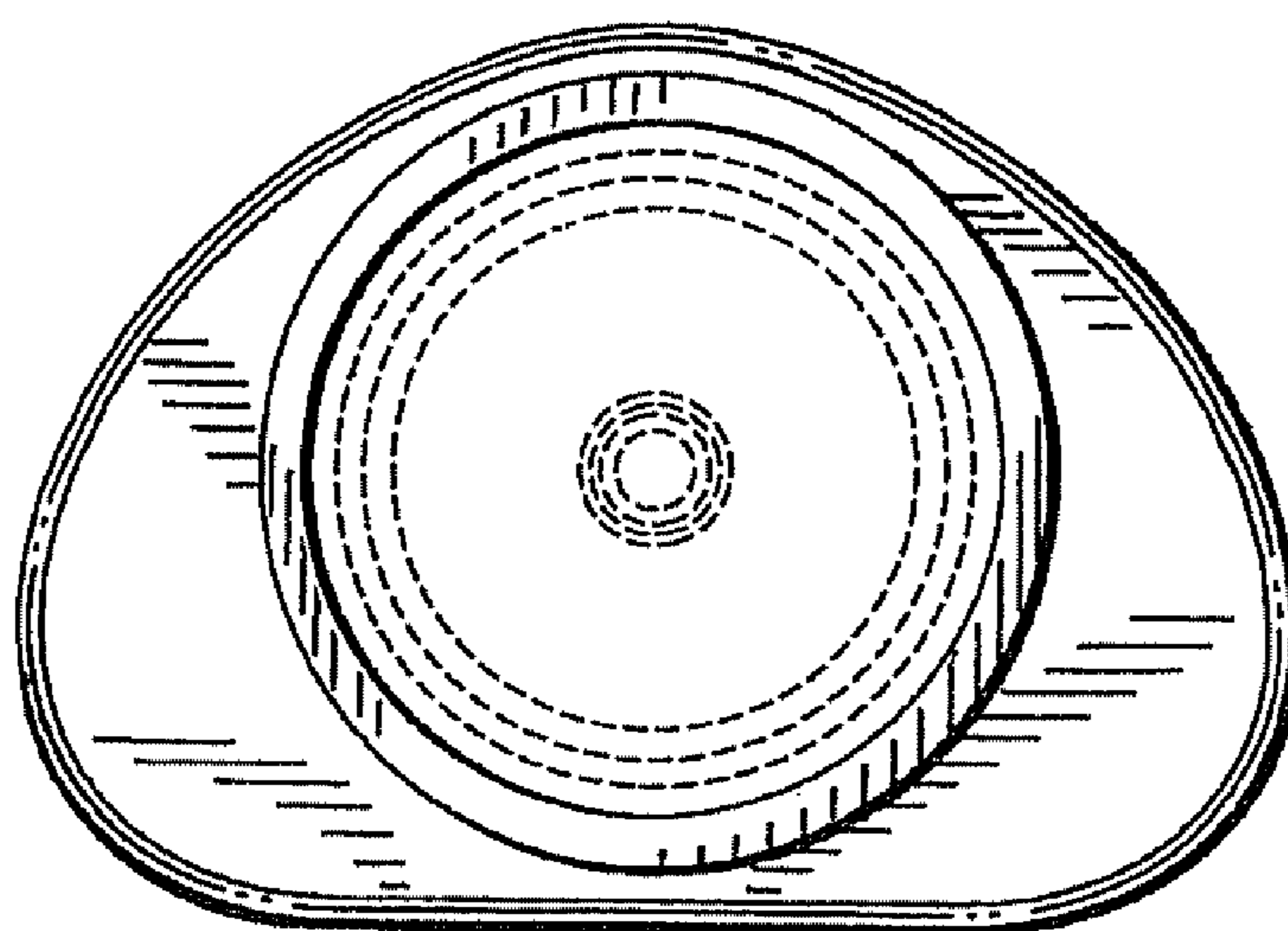


FIG. 12

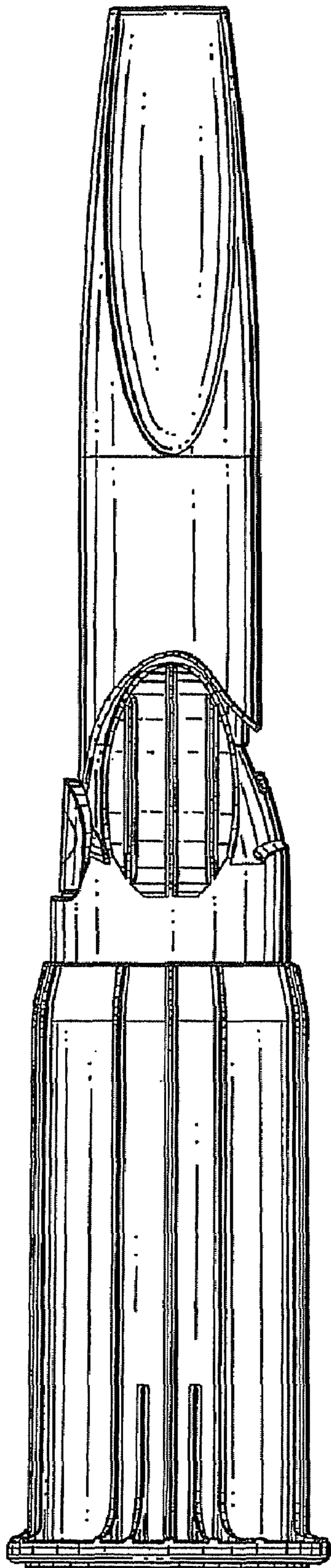


FIG. 13

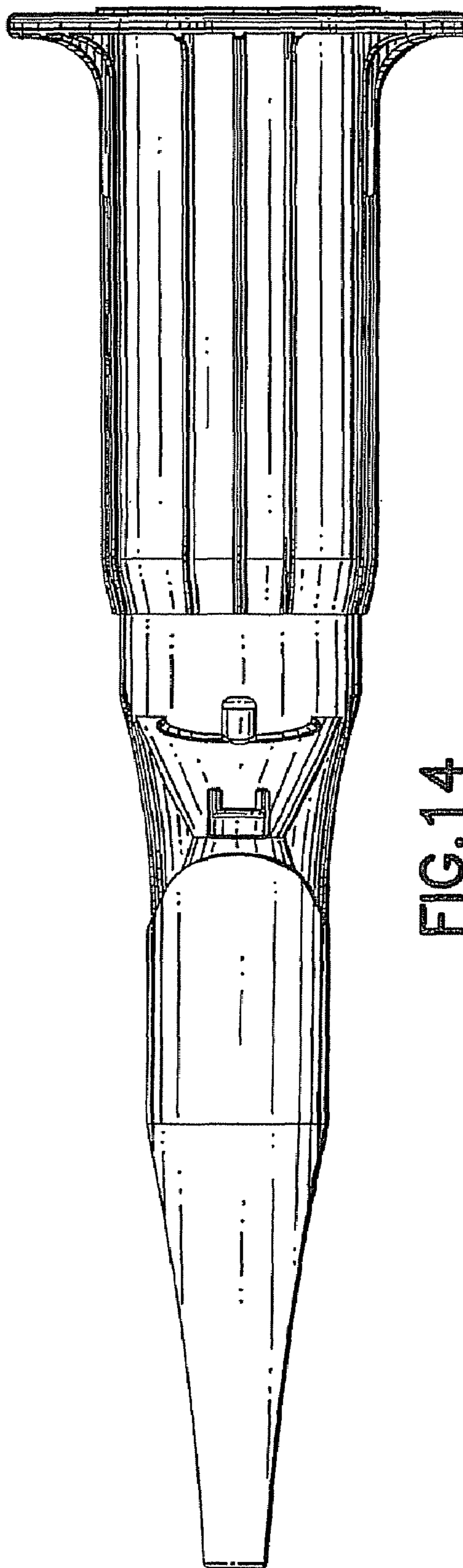


FIG. 14