

US00D604835S

(12) **United States Design Patent**
Conley

(10) **Patent No.:** **US D604,835 S**

(45) **Date of Patent:** **** Nov. 24, 2009**

(54) **PATIENT CONTROLLED TIMED MEDICATION DISPENSER**

(76) **Inventor:** **N. Sharon Conley**, 19 Moss Point Dr., Ormond Beach, FL (US) 32174

(**) **Term:** **14 Years**

(21) **Appl. No.:** **29/303,209**

(22) **Filed:** **Feb. 1, 2008**

(51) **LOC (9) Cl.** **24-02**

(52) **U.S. Cl.** **D24/111**

(58) **Field of Classification Search** D24/111,
D24/108, 112, 226; 206/538, 807; 221/2,
221/3, 4, 7

See application file for complete search history.

(56) **References Cited**

U.S. PATENT DOCUMENTS

- D249,125 S * 8/1978 Wright et al. D10/40
- D305,685 S * 1/1990 Lohman D24/226
- 6,145,697 A * 11/2000 Gudish 221/3
- 7,044,302 B2 * 5/2006 Conley 206/538

* cited by examiner

Primary Examiner—Lisa P Lichtenstein
(74) Attorney, Agent, or Firm—Beusse Woltes Sanks Mora & Maire, P.A.; John L. DeAngelis

(57) **CLAIM**

The ornamental design for a patient controlled timed medication dispenser, as shown and described.

DESCRIPTION

FIG. 1 is an isometric illustration of a patient controlled timed medication dispenser of the present invention.

FIG. 2 is a front view of the patient controlled timed medication dispenser.

FIG. 3 is a rear view of the patient controlled timed medication dispenser.

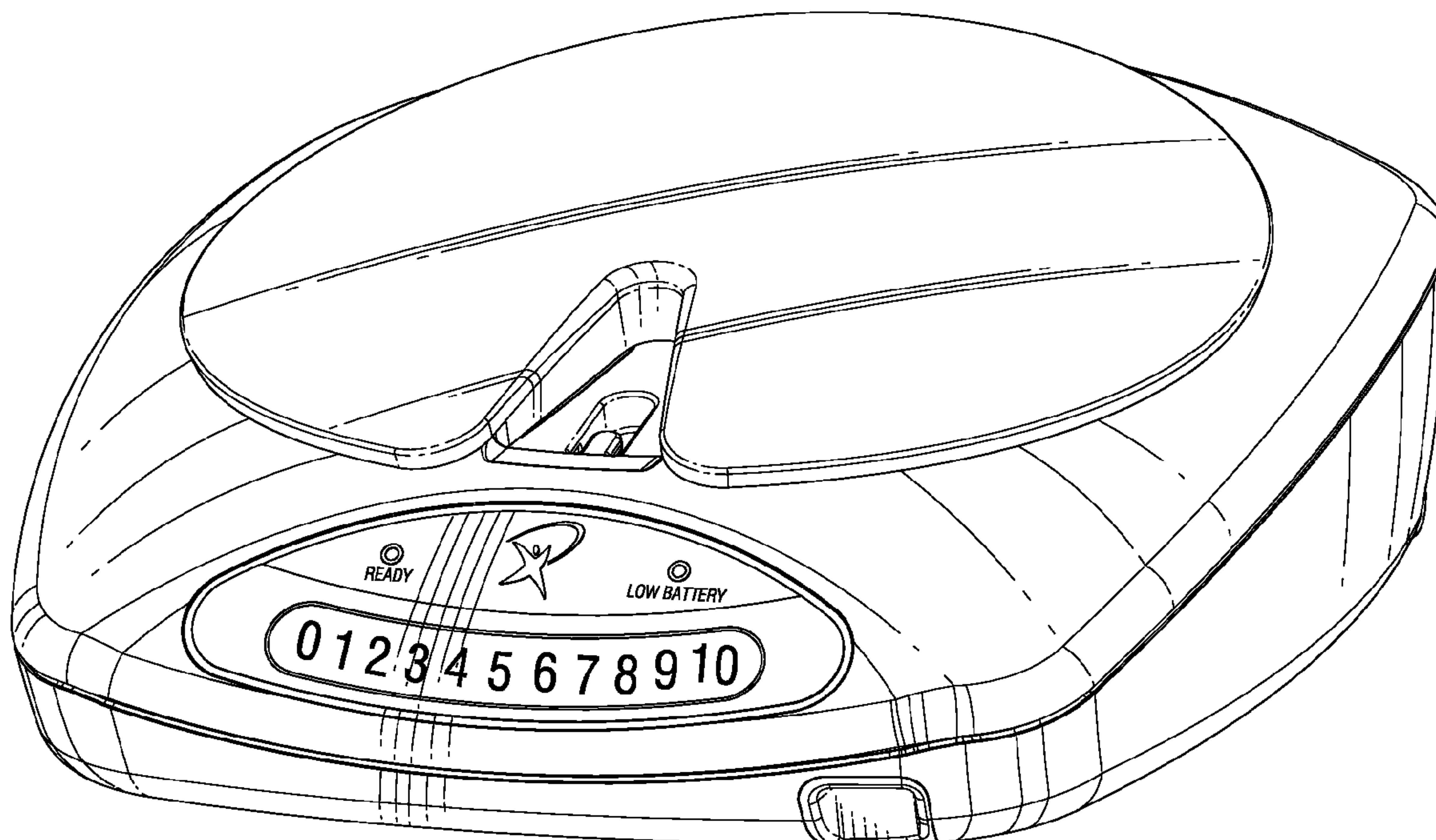
FIG. 4 is a top view of the patient controlled timed medication dispenser.

FIG. 5 is a bottom view of the patient controlled timed medication dispenser.

FIG. 6 is a right side view of the patient controlled timed medication dispenser; and,

FIG. 7 is a left side view of the patient controlled timed medication dispenser.

1 Claim, 7 Drawing Sheets



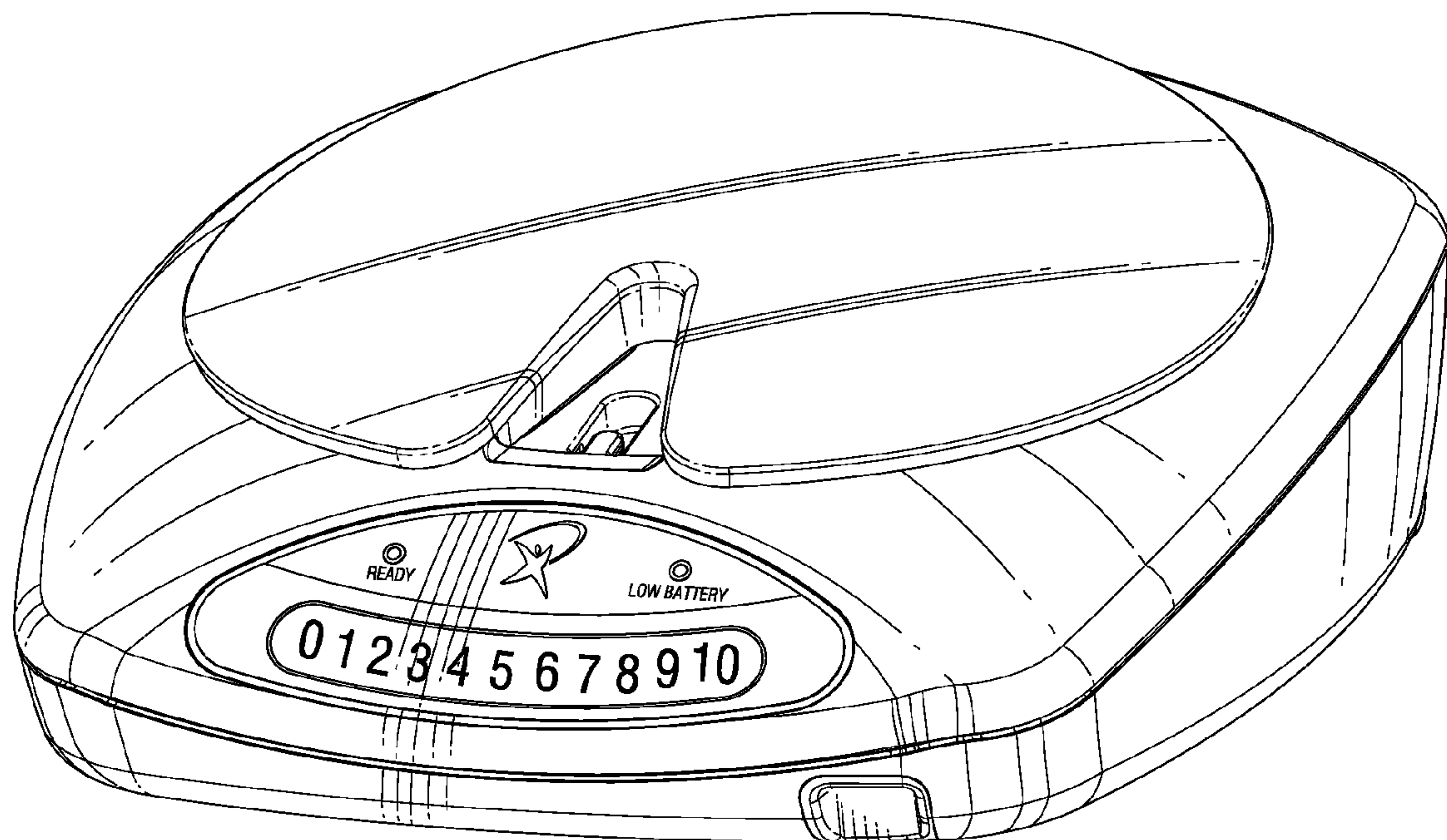


FIG. 1

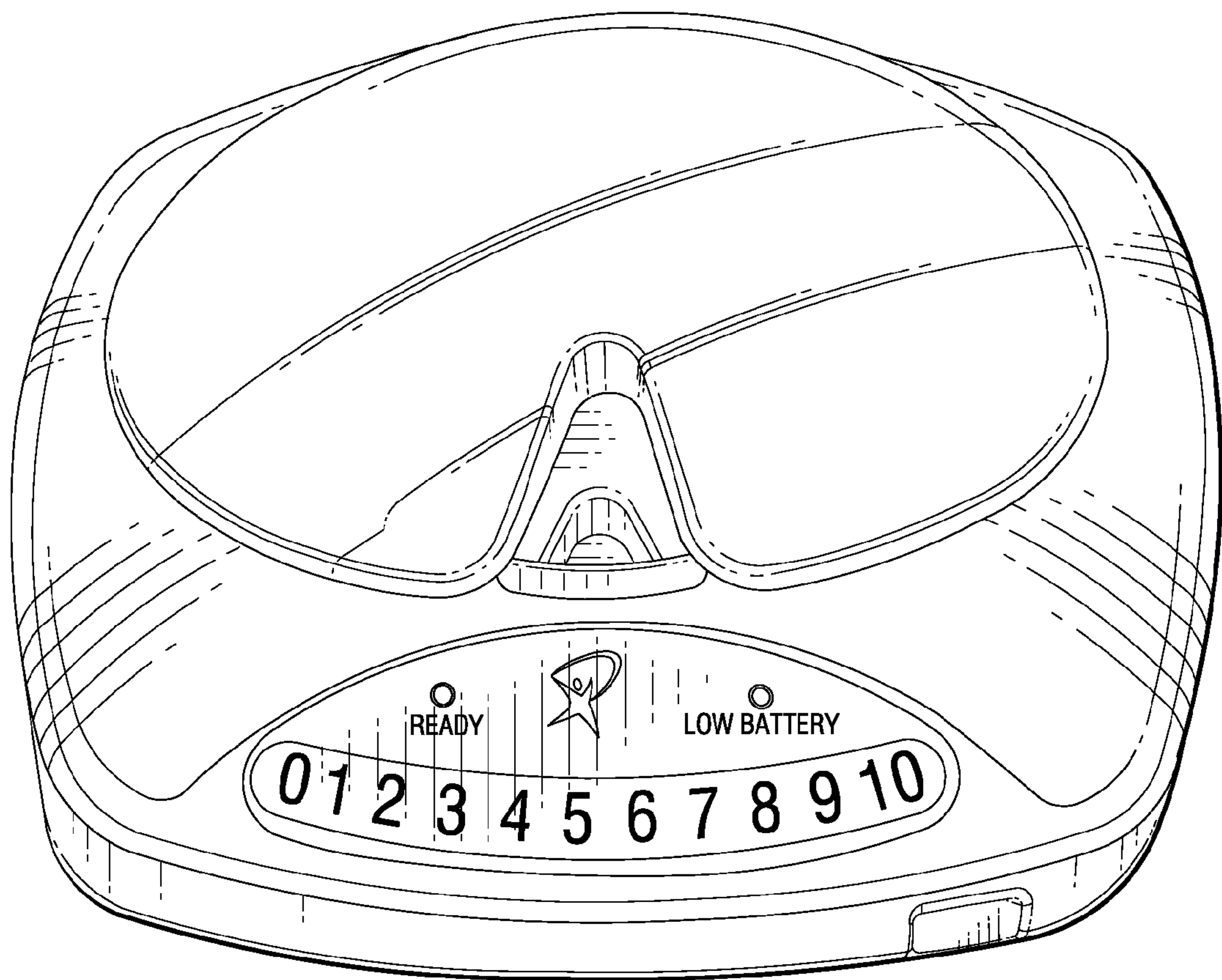


FIG. 2

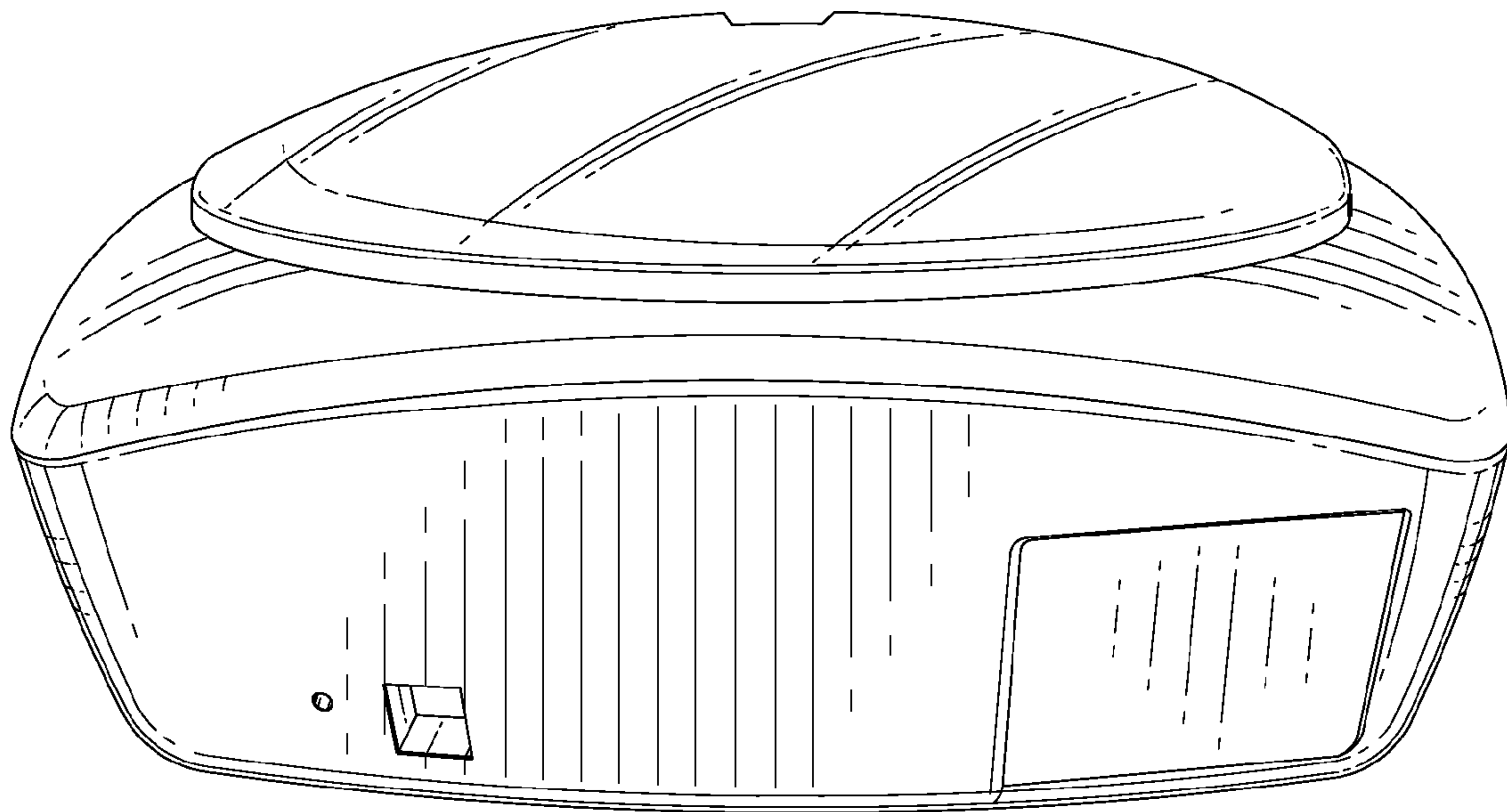


FIG. 3

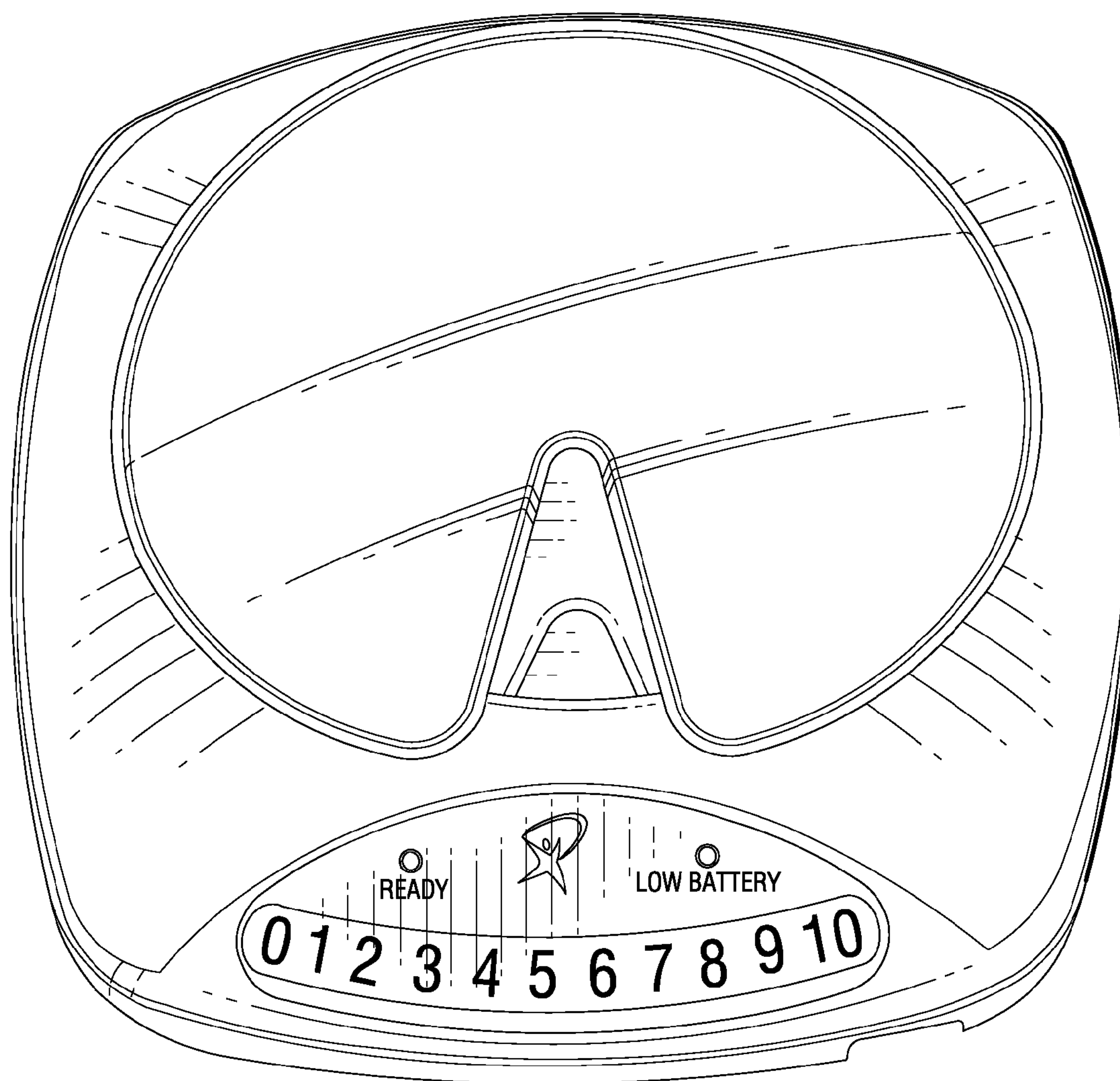


FIG. 4

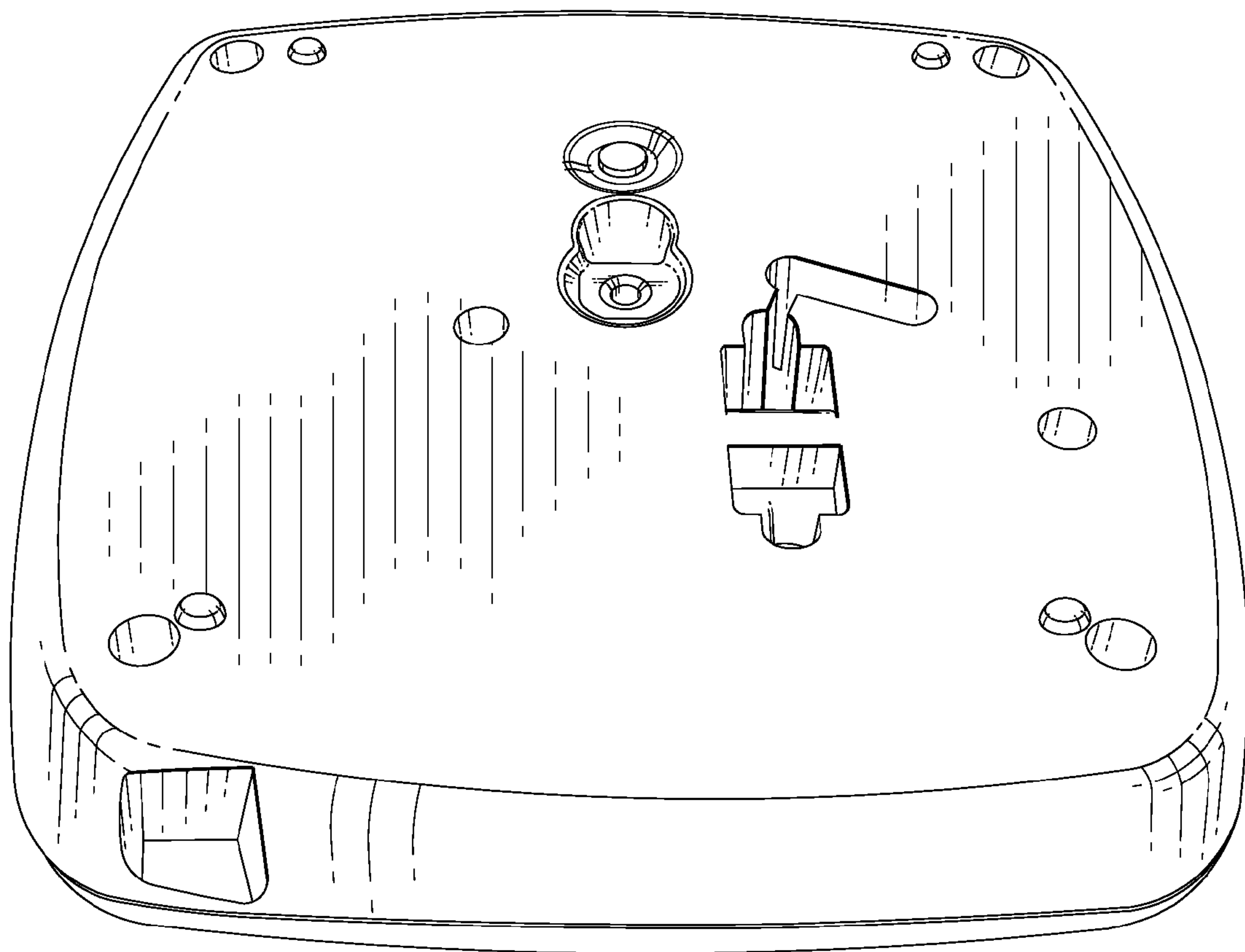


FIG. 5

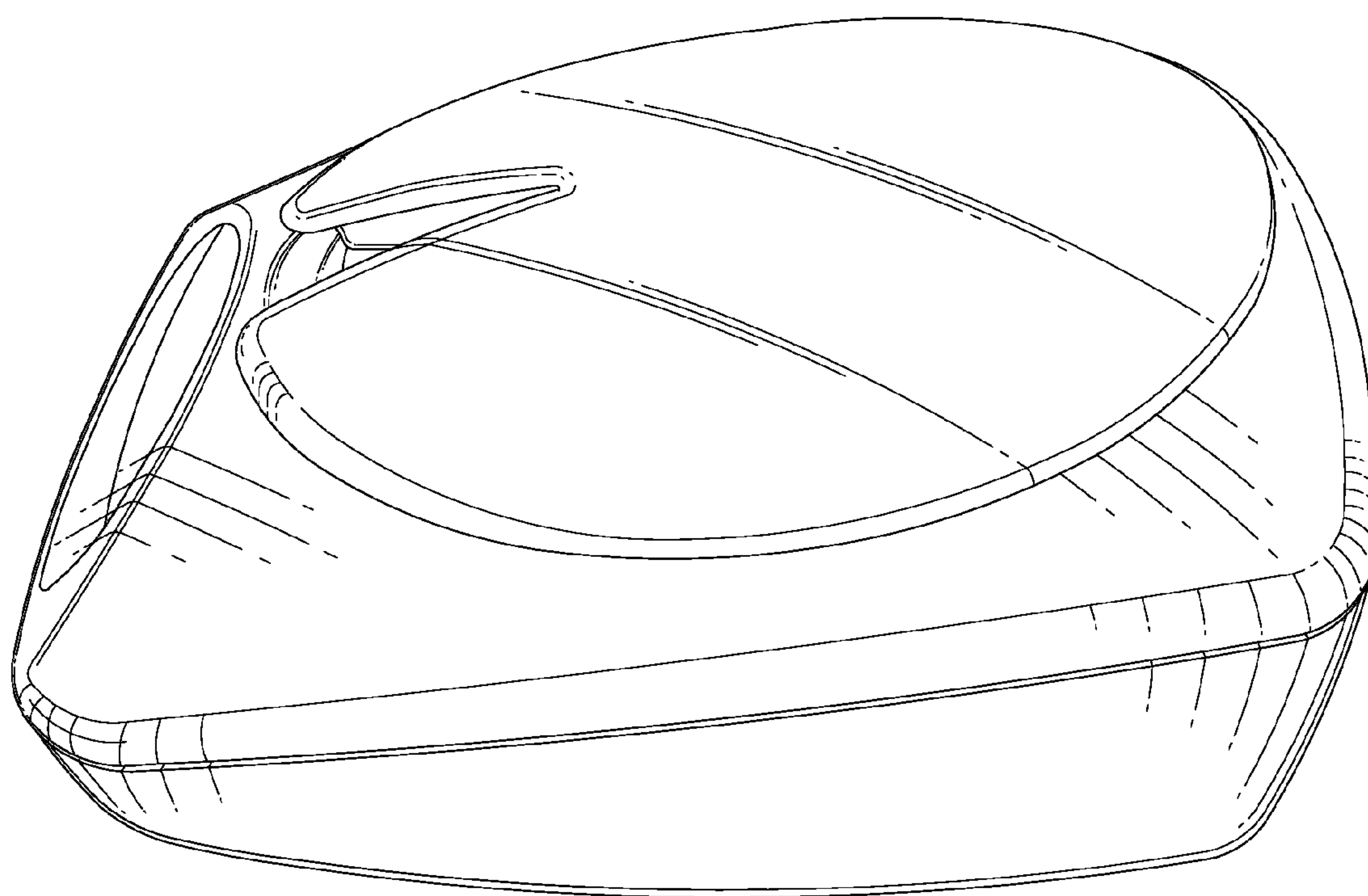


FIG. 6

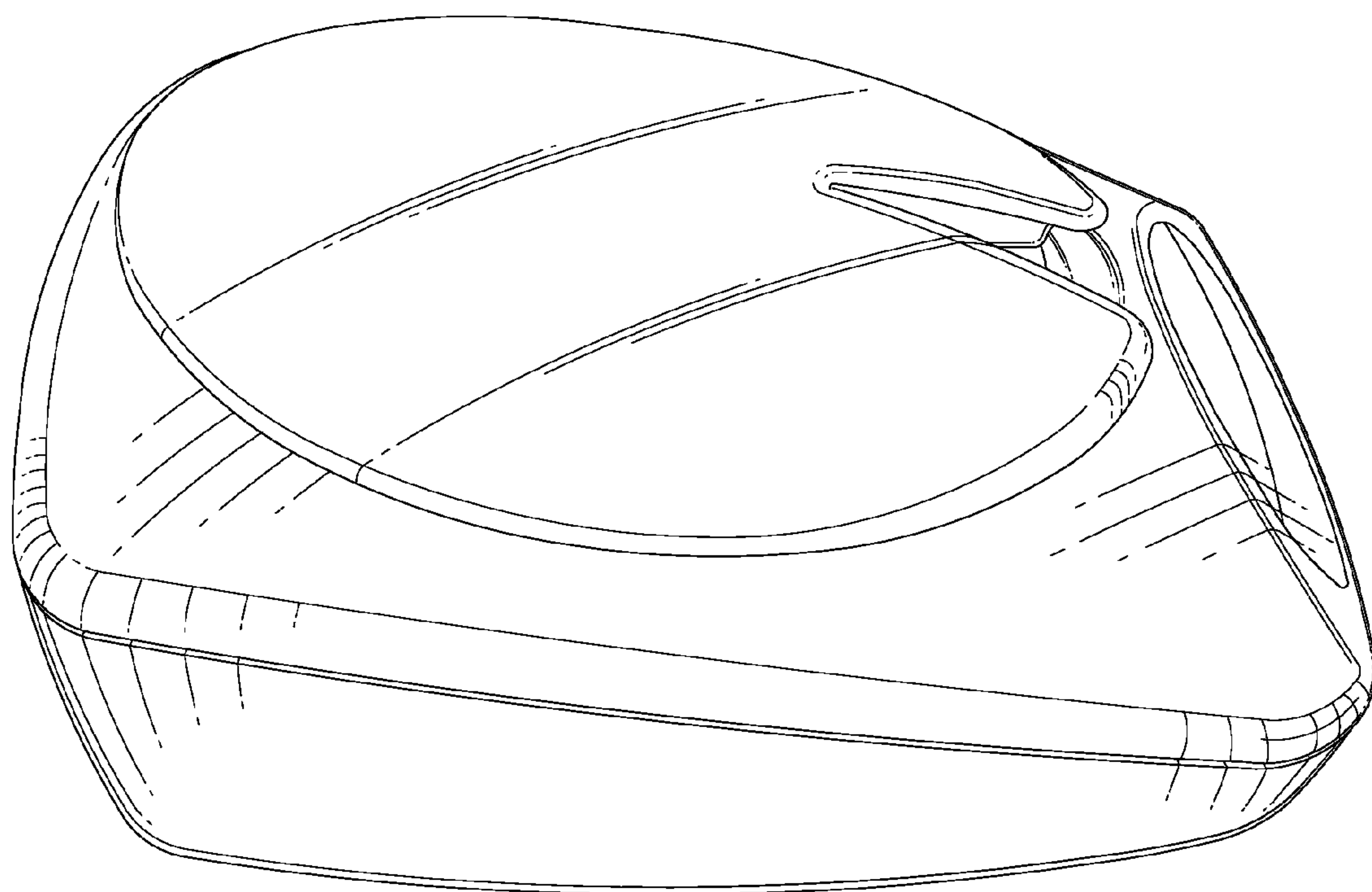


FIG. 7