

US00D604833S

(12) **United States Design Patent**
Polidoro

(10) **Patent No.:** **US D604,833 S**

(45) **Date of Patent:** **** *Nov. 24, 2009**

(54) **DRY POWDER INHALER**

2008/0295833 A1* 12/2008 Rohrschneider
et al. 128/203.15

(75) Inventor: **John M. Polidoro**, Coventry, CT (US)

* cited by examiner

(73) Assignee: **MannKind Corporation**, Valencia, CA
(US)

Primary Examiner—Ian Simmons

Assistant Examiner—Christopher Lee

(*) Notice: This patent is subject to a terminal disclaimer.

(74) *Attorney, Agent, or Firm*—K&L Gates LLP; Louis C. Cullman; Brian J. Novak

(**) Term: **14 Years**

(57) **CLAIM**

(21) Appl. No.: **29/319,778**

The ornamental design for a dry powder inhaler, as shown and described.

(22) Filed: **Jun. 13, 2008**

DESCRIPTION

(51) **LOC (9) Cl.** **29-02**

FIG. 1 is a frontal view of a dry powder inhaler in a closed position.

(52) **U.S. Cl.** **D24/110**

FIG. 2 is a bottom view of a dry powder inhaler in a partial open position.

(58) **Field of Classification Search** D24/110;
128/203.15, 203.13, 200.21, 200.14, 200.23
See application file for complete search history.

FIG. 3 is a side view of a dry powder inhaler of FIG. 2.

FIG. 4 is a perspective view of a dry powder inhaler in a closed position.

(56) **References Cited**

U.S. PATENT DOCUMENTS

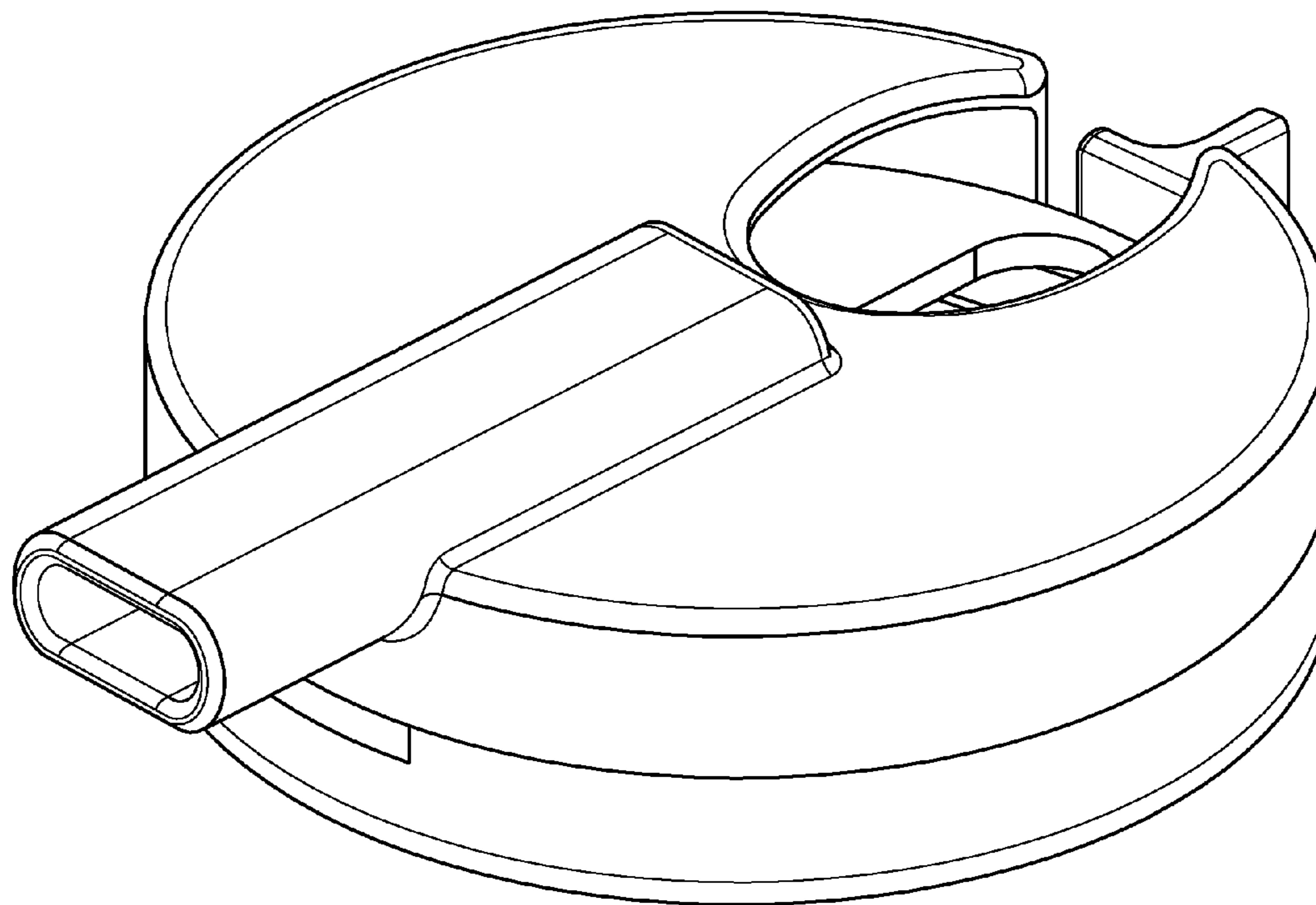
- D189,076 S * 10/1960 Altman D24/110
- D355,029 S * 1/1995 Kinneir et al. D24/110
- D412,978 S * 8/1999 Cameron D24/110
- D452,910 S * 1/2002 Braithwaite et al. D24/110
- D514,222 S * 1/2006 Anderson et al. D24/110

FIG. 5 is another perspective view of a dry powder inhaler of FIG. 4 in a partial open position.

FIG. 6 is a side view of a dry powder inhaler of FIGS. 5; and,

FIG. 7 is a top view of a dry powder inhaler of FIGS. 5 and 6 in a partially open position.

1 Claim, 7 Drawing Sheets



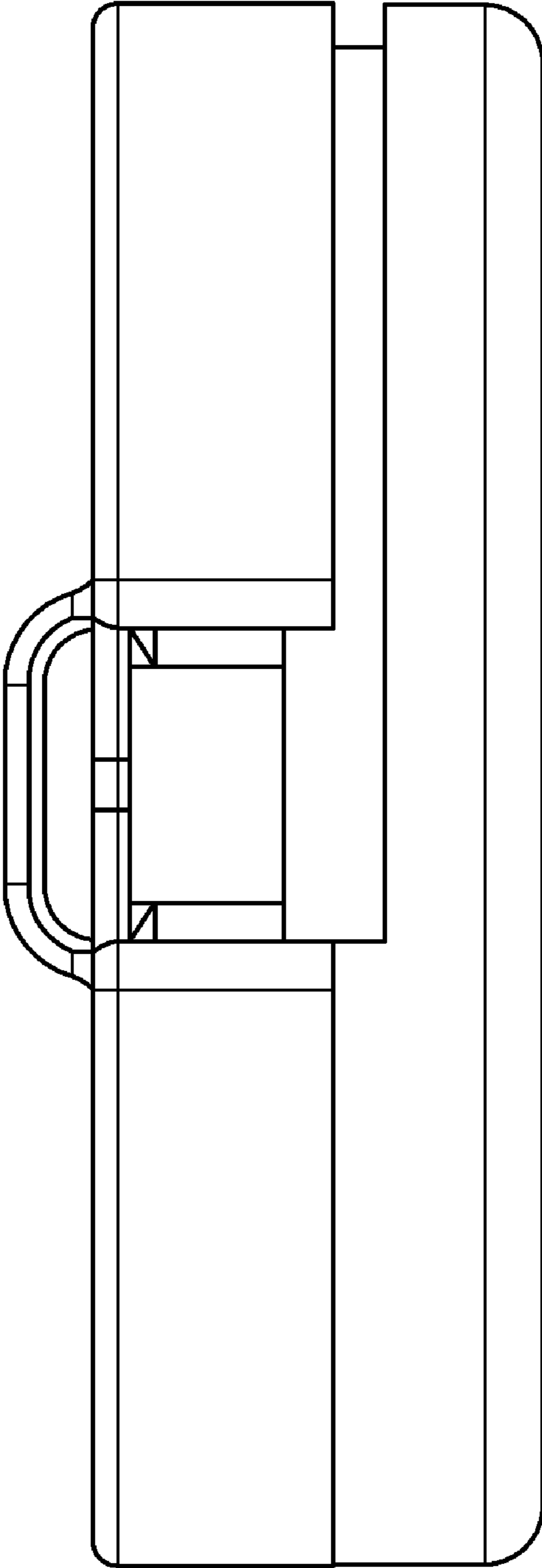


FIG. 1

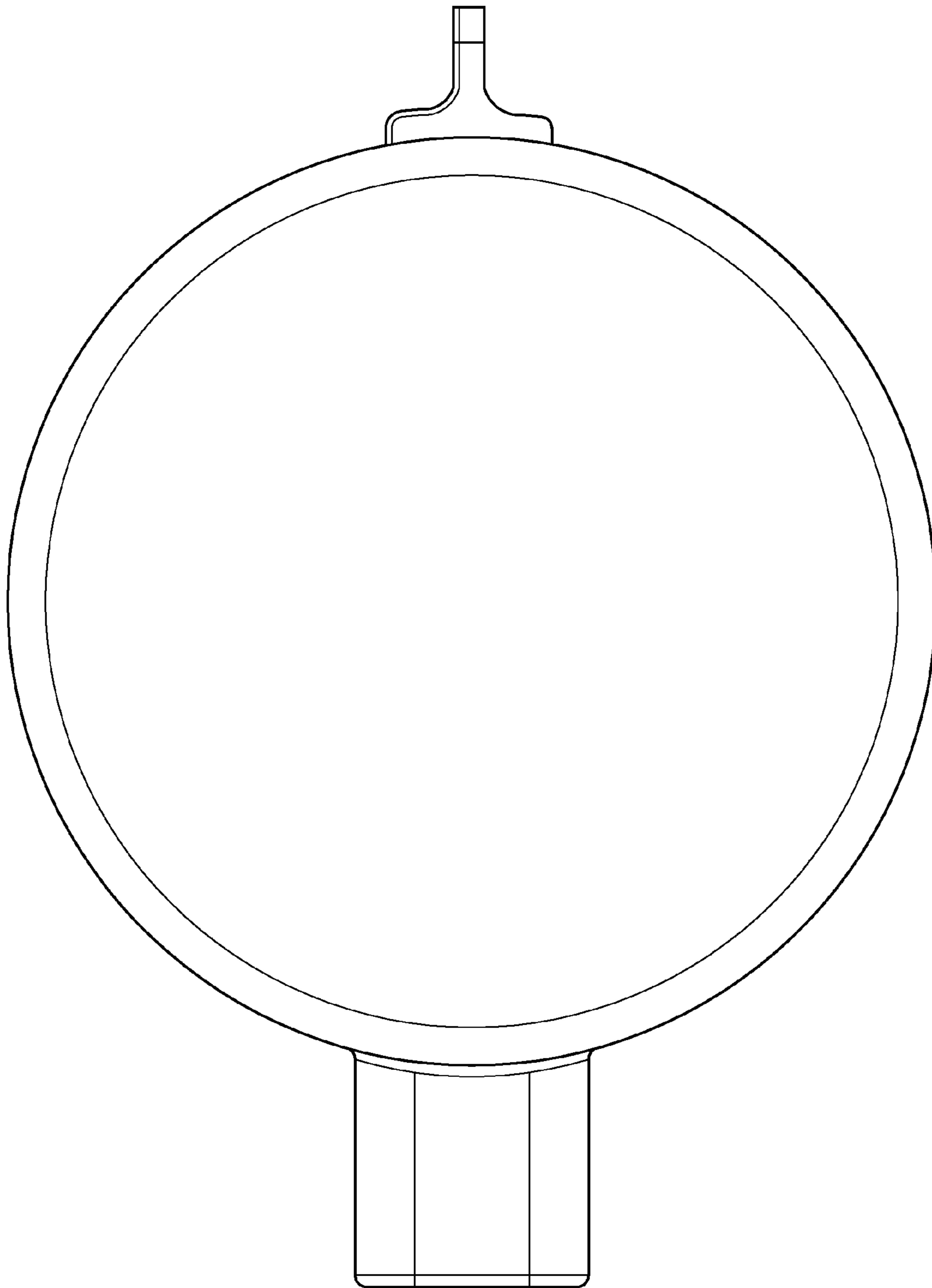


FIG. 2

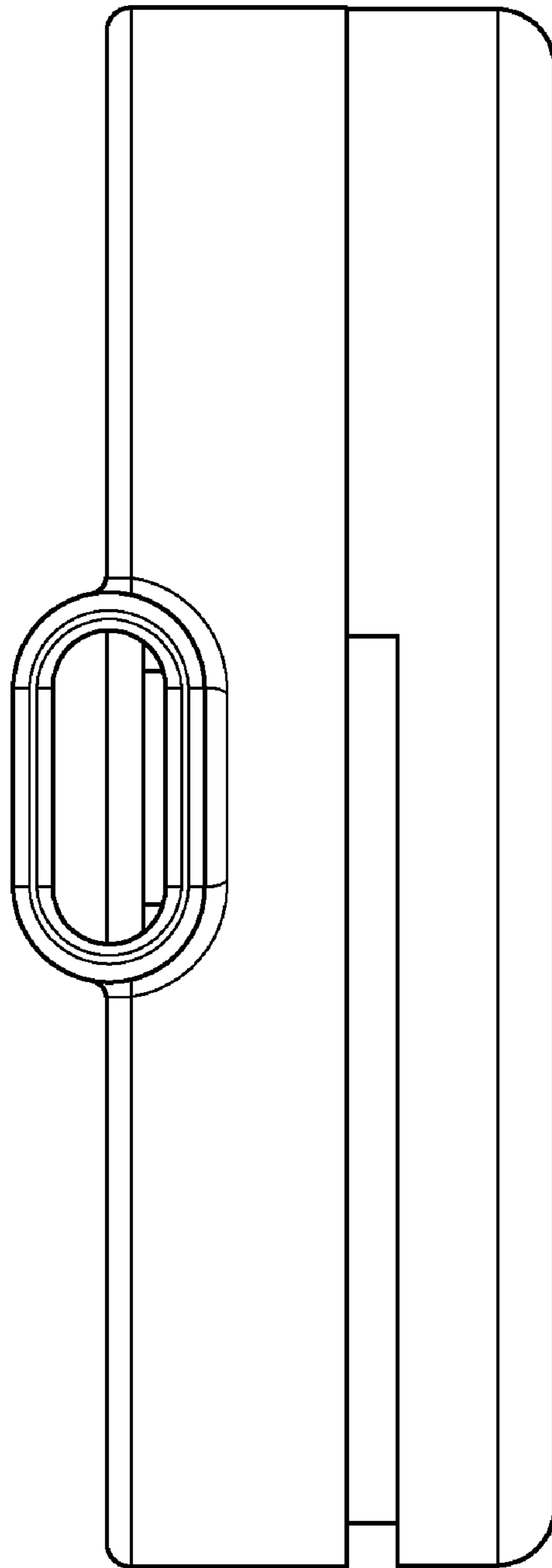


FIG. 3

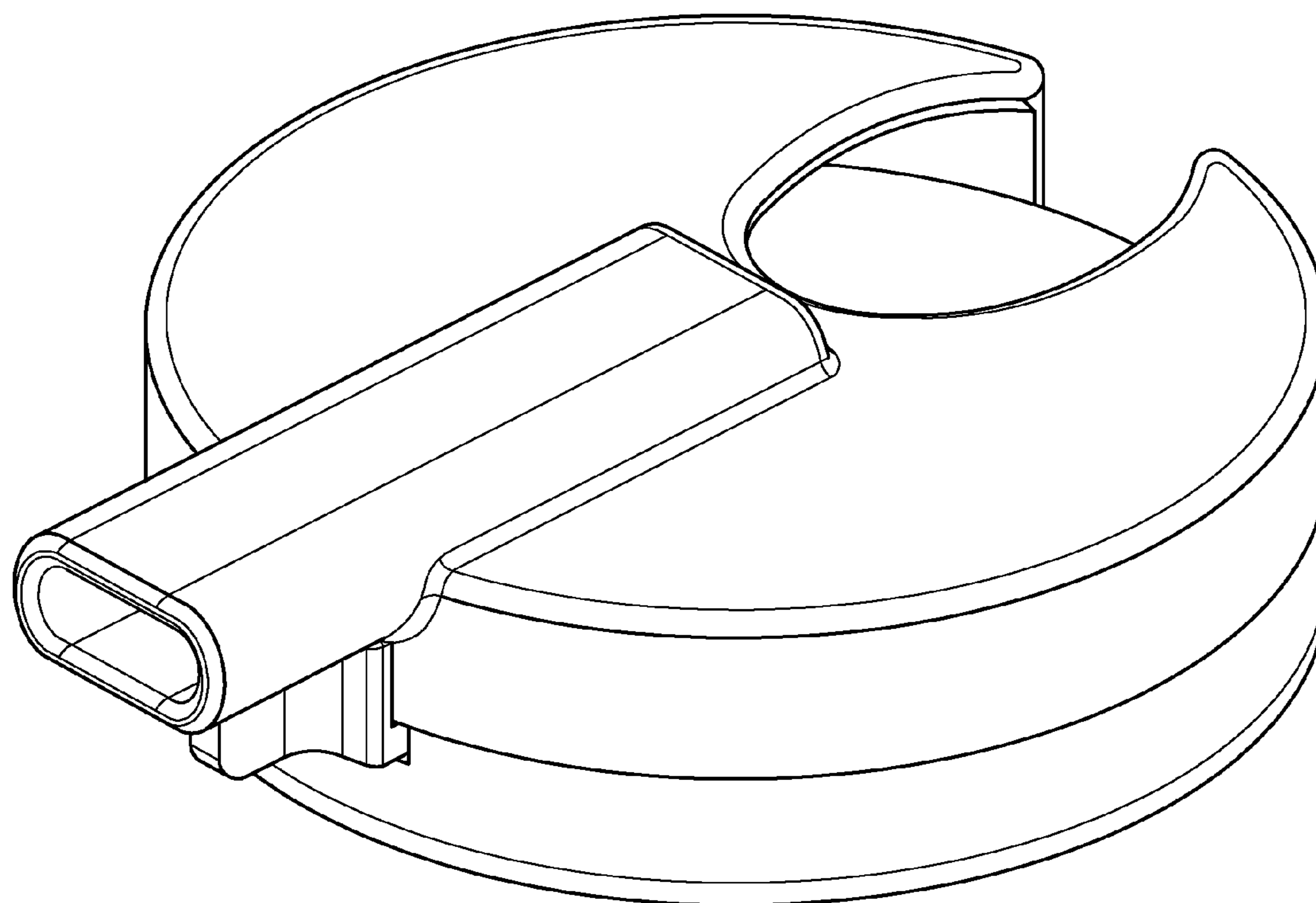


FIG. 4

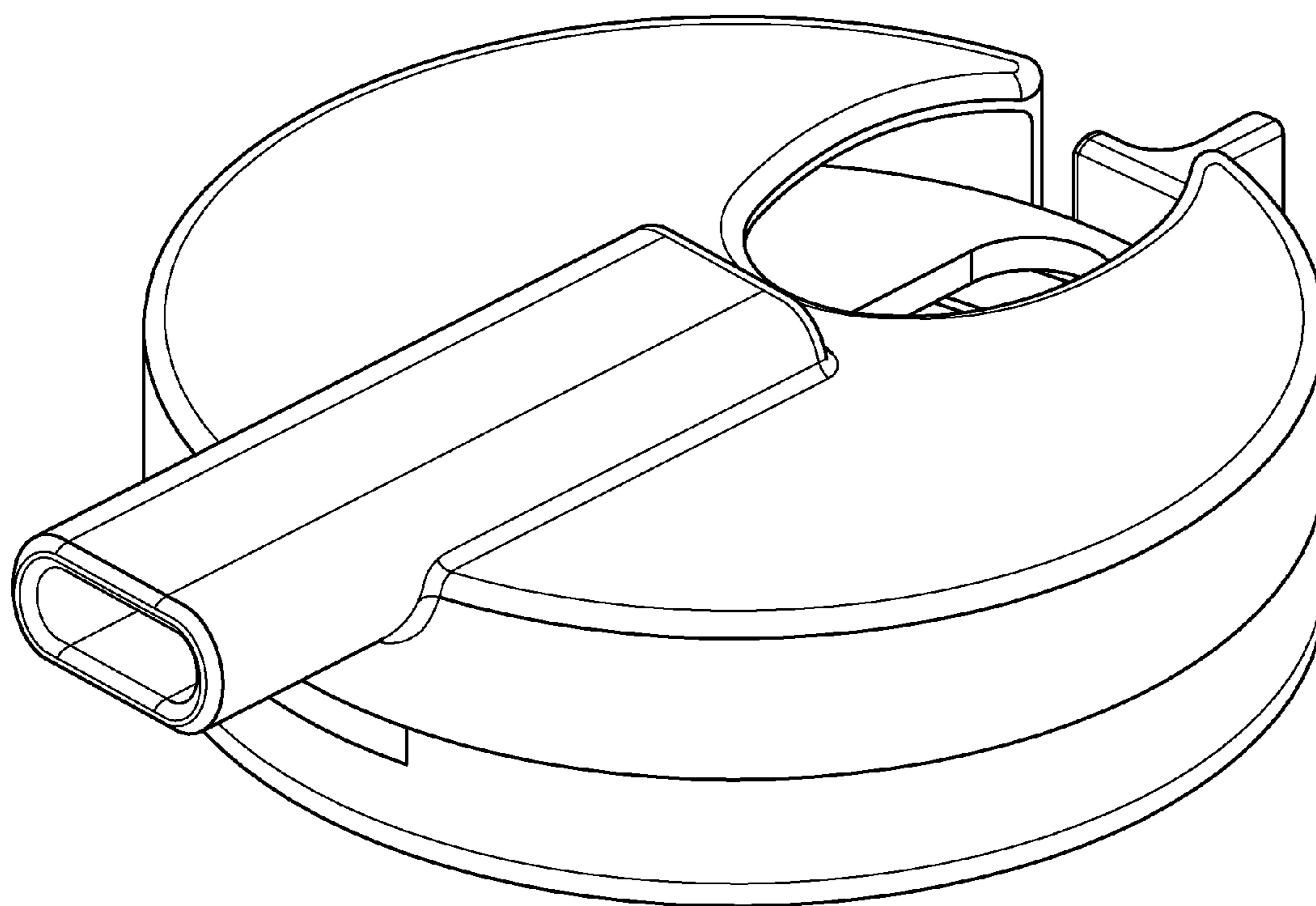


FIG. 5

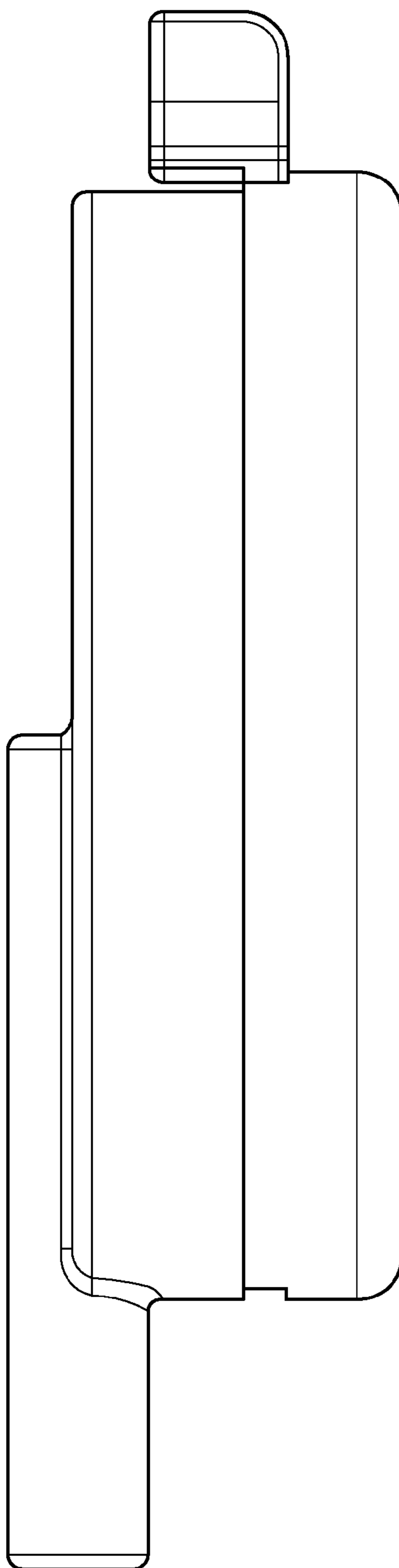


FIG. 6

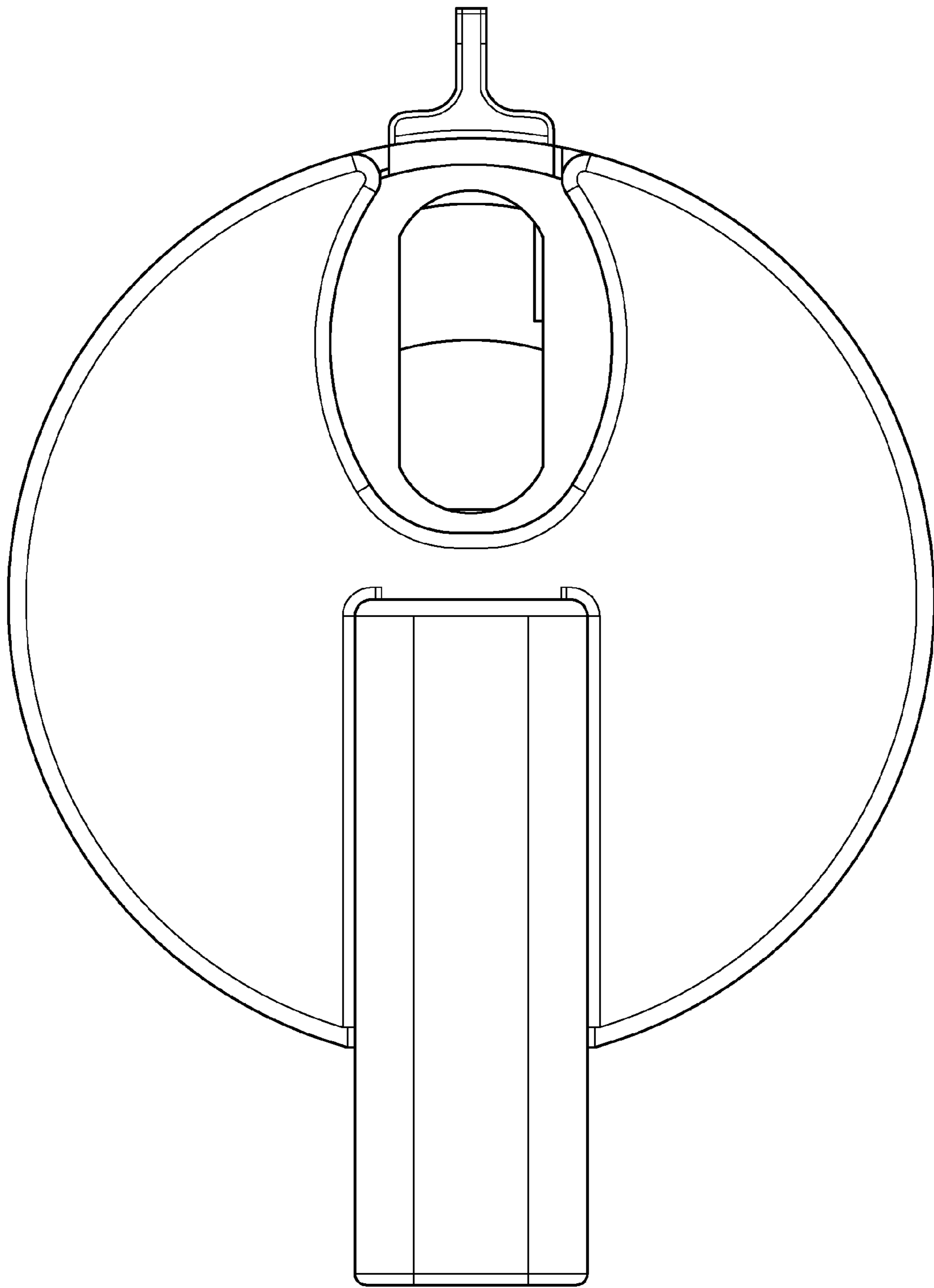


FIG. 7