

US00D604831S

(12) **United States Design Patent**
Lulla et al.

(10) **Patent No.:** **US D604,831 S**

(45) **Date of Patent:** **** *Nov. 24, 2009**

(54) **BASE**

(75) Inventors: **Amar Lulla**, Mumbai (ID); **Xerxes Rao**,
Mumbai (ID)

(73) Assignee: **Cipla Limited**, Maharashtra (IN)

(*) Notice: This patent is subject to a terminal dis-
claimer.

(**) Term: **14 Years**

(21) Appl. No.: **29/302,214**

(22) Filed: **Jan. 11, 2008**

(30) **Foreign Application Priority Data**

Jul. 13, 2007 (ID) 211207

(51) **LOC (9) Cl.** **29-02**

(52) **U.S. Cl.** **D24/110**

(58) **Field of Classification Search** D24/110;
128/203.12, 203.15, 200.14, 200.18, 200.21,
128/200.23, 205.15, 205.21, 205.23, 204.13
See application file for complete search history.

(56) **References Cited**

U.S. PATENT DOCUMENTS

D391,369 S * 2/1998 Anderson D24/110
D450,117 S * 11/2001 Braithwaite et al. D24/110

D518,171 S * 3/2006 Anderson et al. D24/110
D560,793 S * 1/2008 Pearl et al. D24/110
2004/0035420 A1* 2/2004 Davies et al. 128/203.15
2005/0172963 A1* 8/2005 Allan et al. 128/203.15

* cited by examiner

Primary Examiner—Ian Simmons

Assistant Examiner—Christopher Lee

(74) *Attorney, Agent, or Firm*—Knobbe, Martens, Olson &
Bear LLP

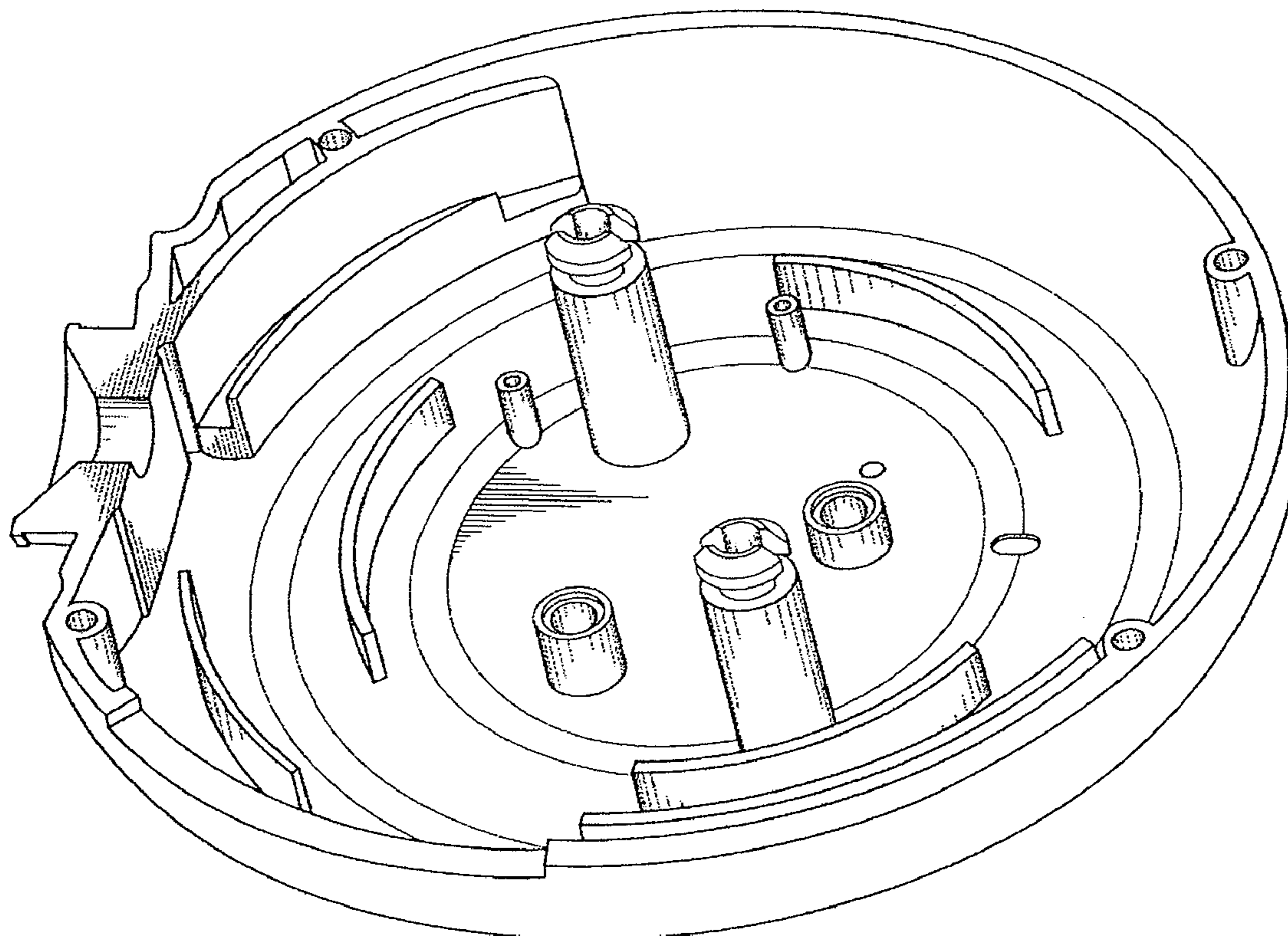
(57) **CLAIM**

The ornamental design for a base, as shown and described.

DESCRIPTION

FIG. 1 is a top view thereof;
FIG. 2 is a front view thereof;
FIG. 3 is a back view thereof;
FIG. 4 is a left side view thereof;
FIG. 5 is a right side view thereof;
FIG. 6 is a bottom view thereof; and,
FIG. 7 is a perspective view thereof.

1 Claim, 7 Drawing Sheets



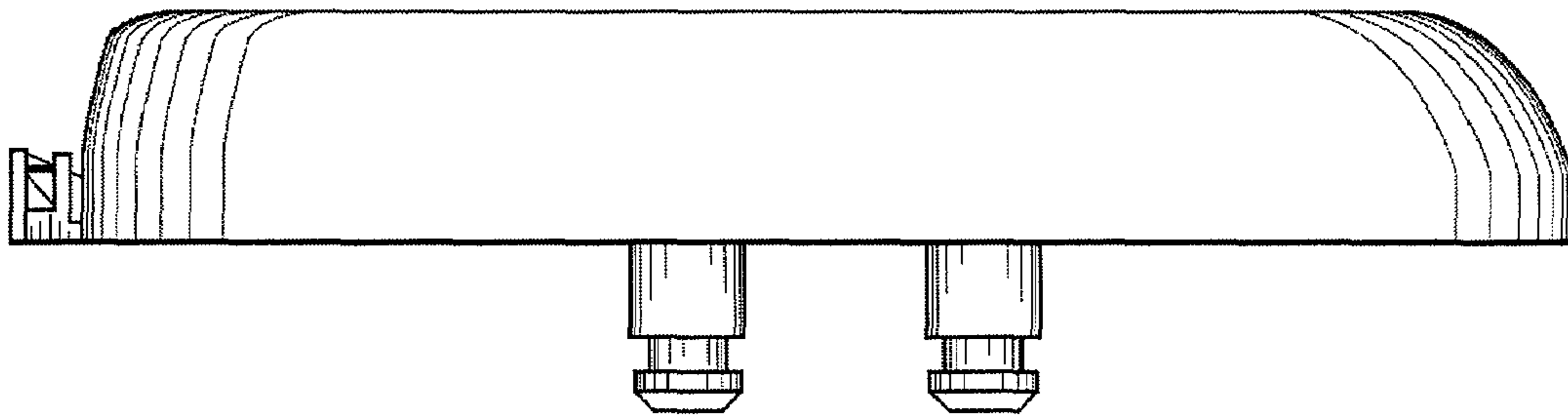


Fig. 1

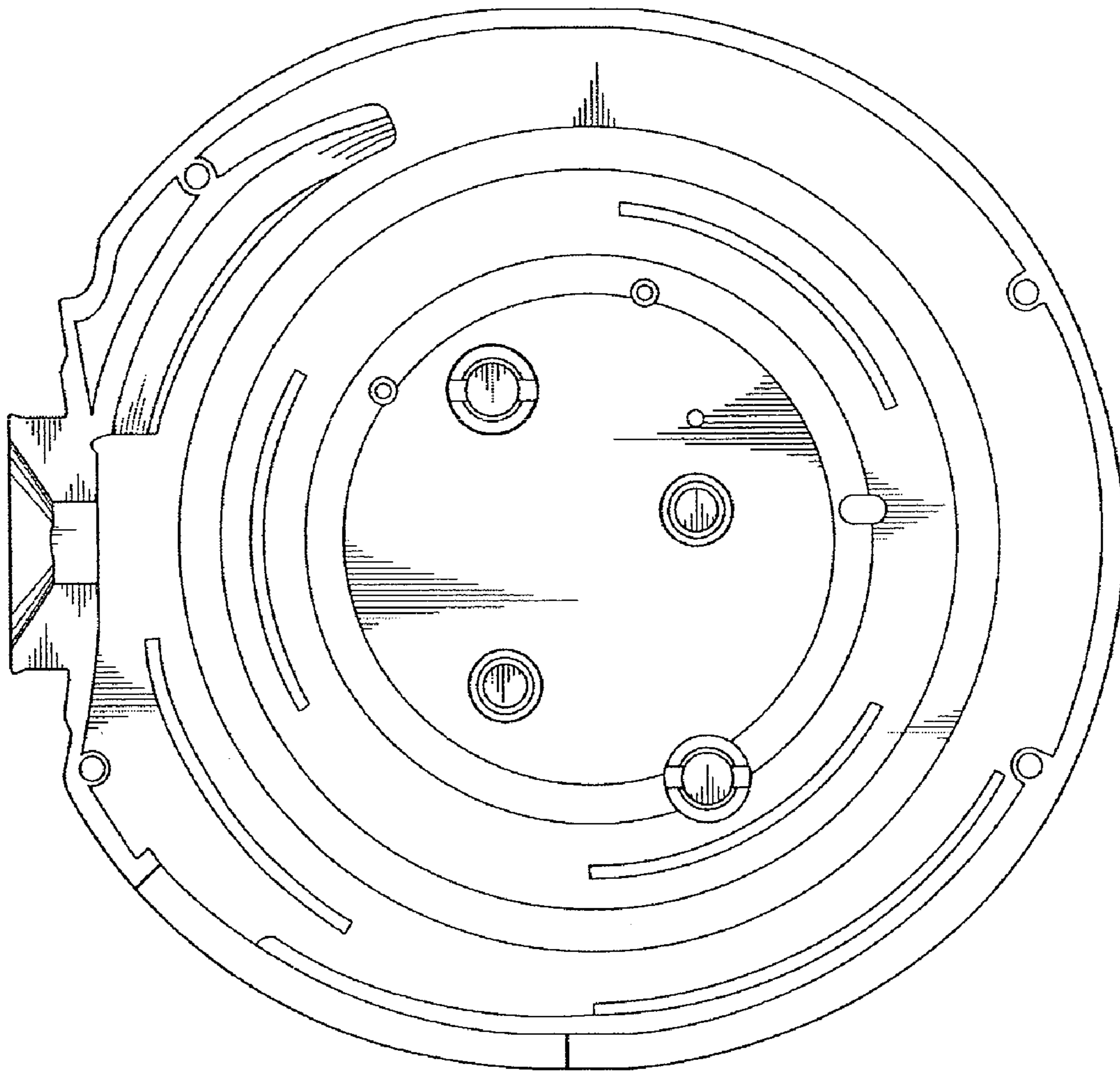


Fig. 2

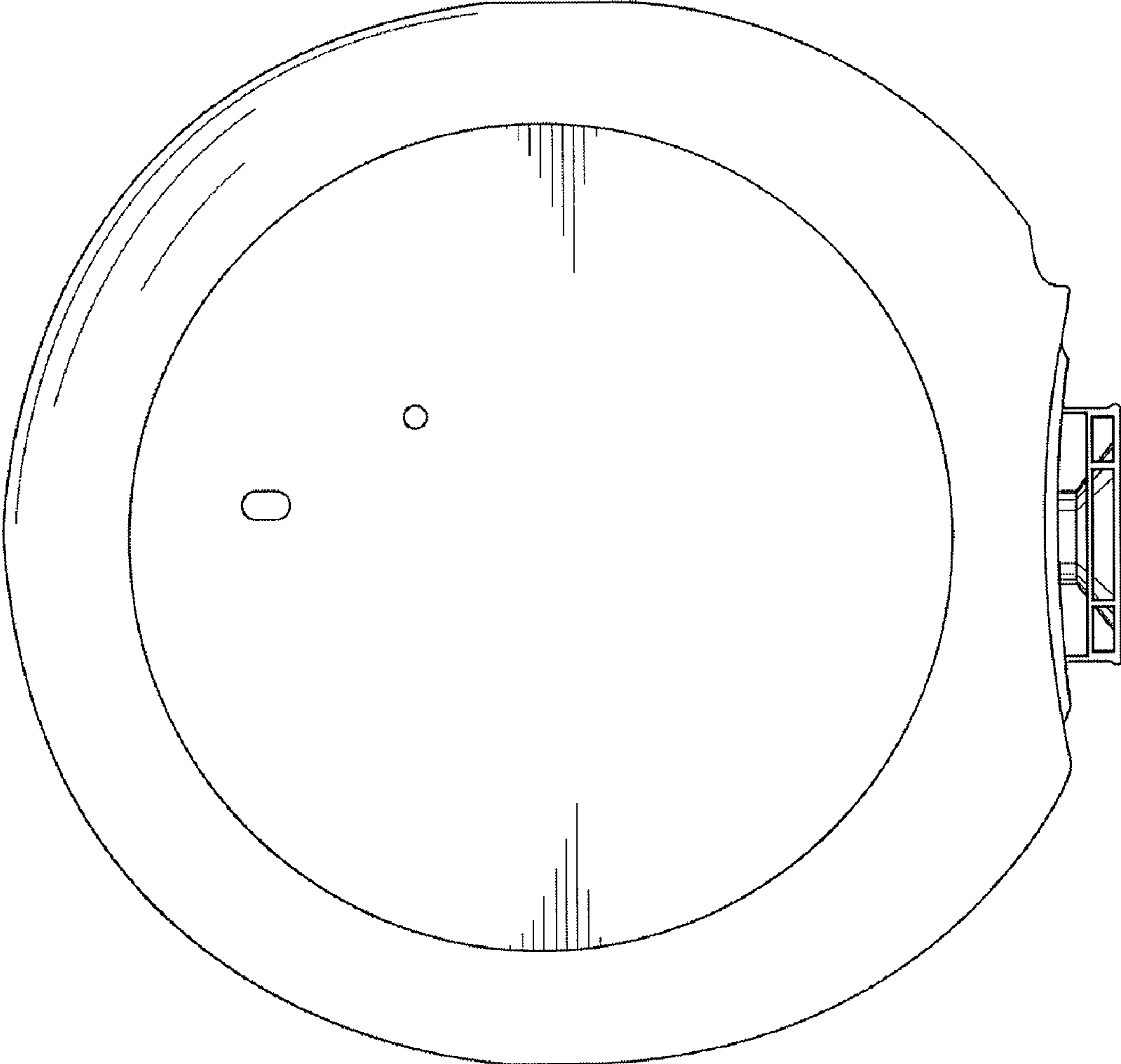


Fig. 3

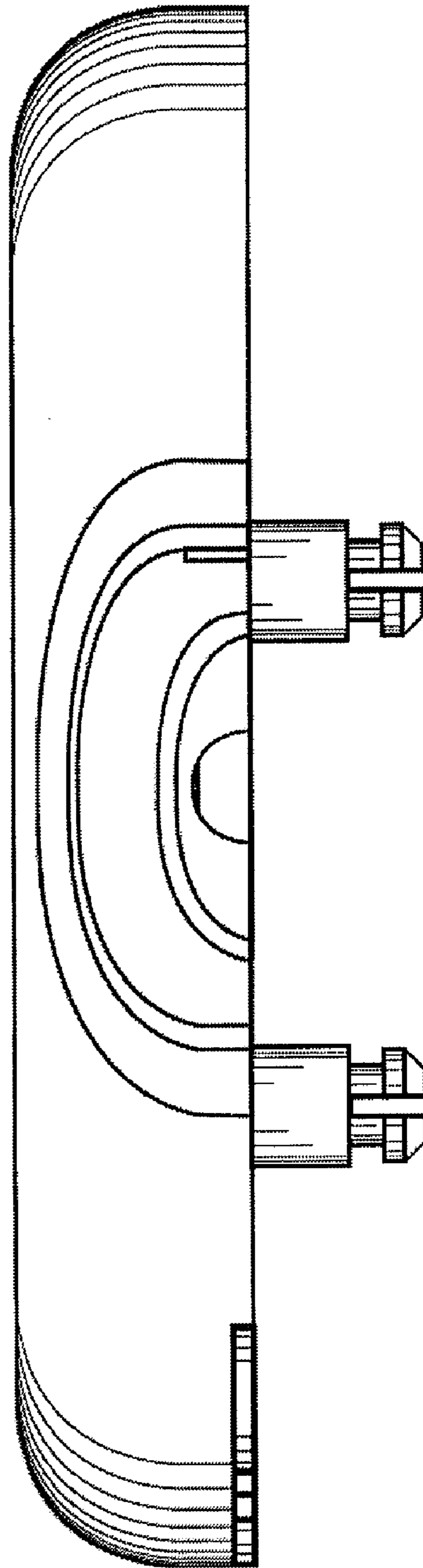


Fig. 4

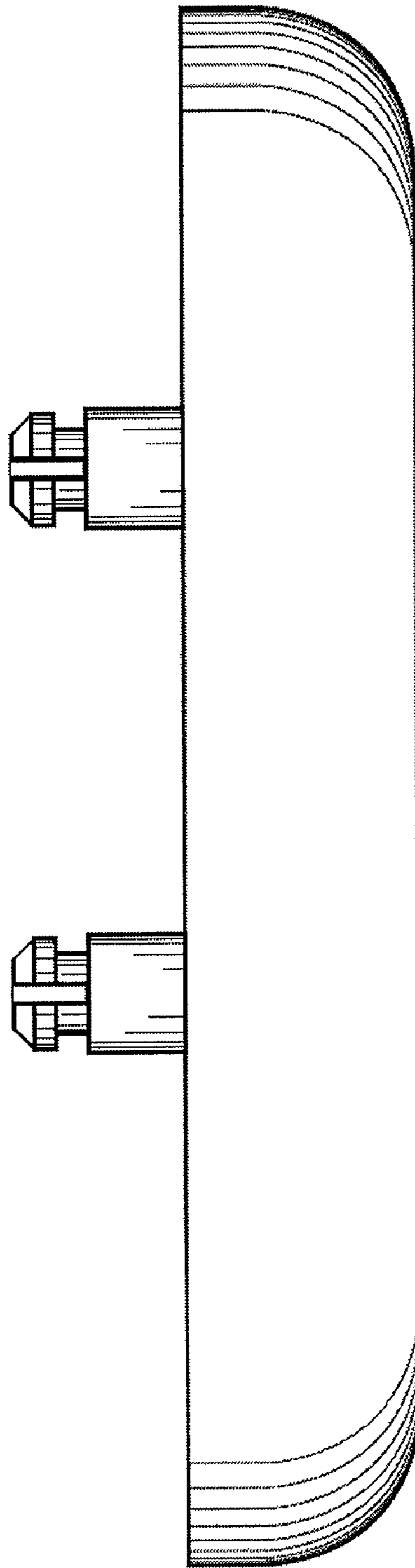


Fig. 5

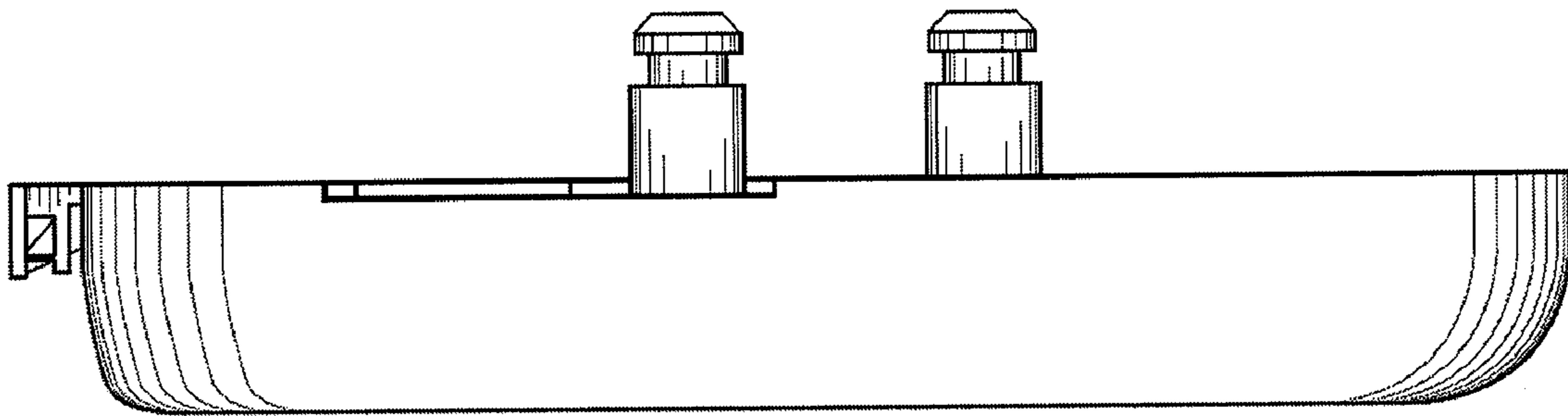


Fig. 6

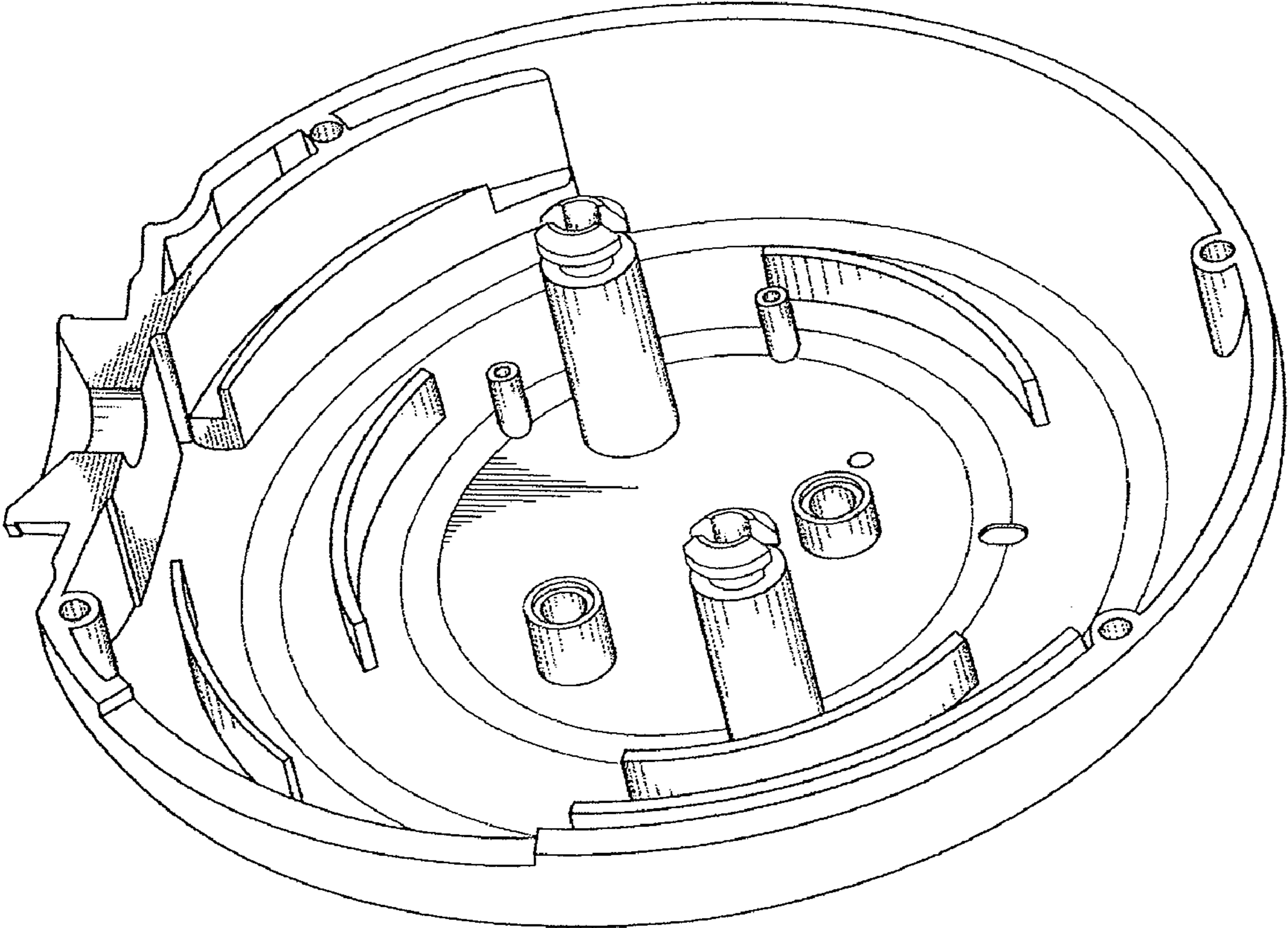


Fig. 7

UNITED STATES PATENT AND TRADEMARK OFFICE
CERTIFICATE OF CORRECTION

PATENT NO. : D604,831 S
APPLICATION NO. : 29/302214
DATED : November 24, 2009
INVENTOR(S) : Amar Lulla and Xerxes Rao

Page 1 of 1

It is certified that error appears in the above-identified patent and that said Letters Patent is hereby corrected as shown below:

On the first page, left side, (75) "Inventors: Amar Lulla, Mumbai (ID); Xerxes Rao, Mumbai (ID)" change to --Inventors: Amar Lulla, Mumbai (IN); Xerxes Rao, Mumbai (IN)--.

On the first page, left side, (30) "Foreign Application Priority Data July 13, 2007 (ID) 211207" change to --Foreign Application Priority Data July 13, 2007 (IN) 211207--.

Signed and Sealed this
Fifteenth Day of March, 2011

A handwritten signature in black ink that reads "David J. Kappos". The signature is written in a cursive, slightly slanted style.

David J. Kappos
Director of the United States Patent and Trademark Office