



US00D604828S

(12) **United States Design Patent**
Krohmer et al.

(10) **Patent No.:** **US D604,828 S**

(45) **Date of Patent:** **** Nov. 24, 2009**

(54) **DUST COLLECTION ADAPTER WITH BLAST GATE**

(75) Inventors: **Steven Krohmer**, Coon Rapids, MN (US); **Daniel Banasik**, Eagan, MN (US)

(73) Assignee: **Rockler Companies, Inc.**, Medina, MN (US)

(**) Term: **14 Years**

(21) Appl. No.: **29/321,705**

(22) Filed: **Jul. 22, 2008**

(51) **LOC (9) Cl.** **23-04**

(52) **U.S. Cl.** **D23/393**

(58) **Field of Classification Search** D32/25,
D32/30-31; 55/374, 482, 498, 502, 490,
55/492, 493, 507, DIG. 3, 385.1, 476, 459.1,
55/376-378, DIG. 2, 486; 285/119; 15/352,
15/347, DIG. 8, 321, 312.1; 95/273; 96/321,
96/226; 454/63; 251/152, 228, 298, 326;
D23/392-393, 386-388

See application file for complete search history.

(56) **References Cited**

U.S. PATENT DOCUMENTS

D211,826	S *	7/1968	Hamrick	D32/31
4,473,212	A *	9/1984	Kensington et al.	251/152
4,591,369	A *	5/1986	Stewart et al.	55/374
D314,848	S *	2/1991	Foldes	D32/31
D316,893	S *	5/1991	Glodowski	D23/244
D323,376	S *	1/1992	Fukuchi	D23/244
D463,634	S *	9/2002	Mantyla et al.	D32/31
6,451,078	B2 *	9/2002	Berfield et al.	55/374
7,146,677	B2 *	12/2006	Litomisky et al.	15/301
7,152,271	B2 *	12/2006	Pfautz	15/309.2
2002/0077057	A1 *	6/2002	Frink	454/63
2004/0093683	A1	5/2004	Wallace		
2008/0308472	A1 *	12/2008	Osiensky et al.	209/643

OTHER PUBLICATIONS

Blast Gate—Pivoting—Woodworking Dust Collection, by Schreiber Bike;
<http://sketchup.google.com/3dwarehouse/>

details?mid=3c3c86f6258d97552331b5d5dd1cf817&prevstart=0; (one page), publically available at least as of Feb. 29, 2008.

Sawmill Creek—Woodworkers Forums, post by John Schreiber, Nov. 20, 2007; <http://www.sawmillcreek.org/showthread.php?p=696740#poststop>; (4 pages) and enlargements of three photos in post (3 pages).

(Continued)

Primary Examiner—Ruth McInroy

(74) *Attorney, Agent, or Firm*—Westman, Champlin & Kelly, P.A.

(57) **CLAIM**

We claim the ornamental design for a dust collection adapter with blast gate, as shown and described.

DESCRIPTION

FIG. 1 is a perspective view of a dust collection adapter with blast gate showing our new design, with the gate in a partially opened position;

FIG. 2 is a side elevation view of FIG. 1;

FIG. 3 is a front elevation view of FIG. 1;

FIG. 4 is a rear elevation view of FIG. 1;

FIG. 5 is a perspective view thereof, with the gate in a fully opened position;

FIG. 6 is a side elevation view of FIG. 5;

FIG. 7 is a front elevation view of FIG. 5;

FIG. 8 is a rear elevation view of FIG. 5;

FIG. 9 is a perspective view thereof, with the gate in a fully closed position;

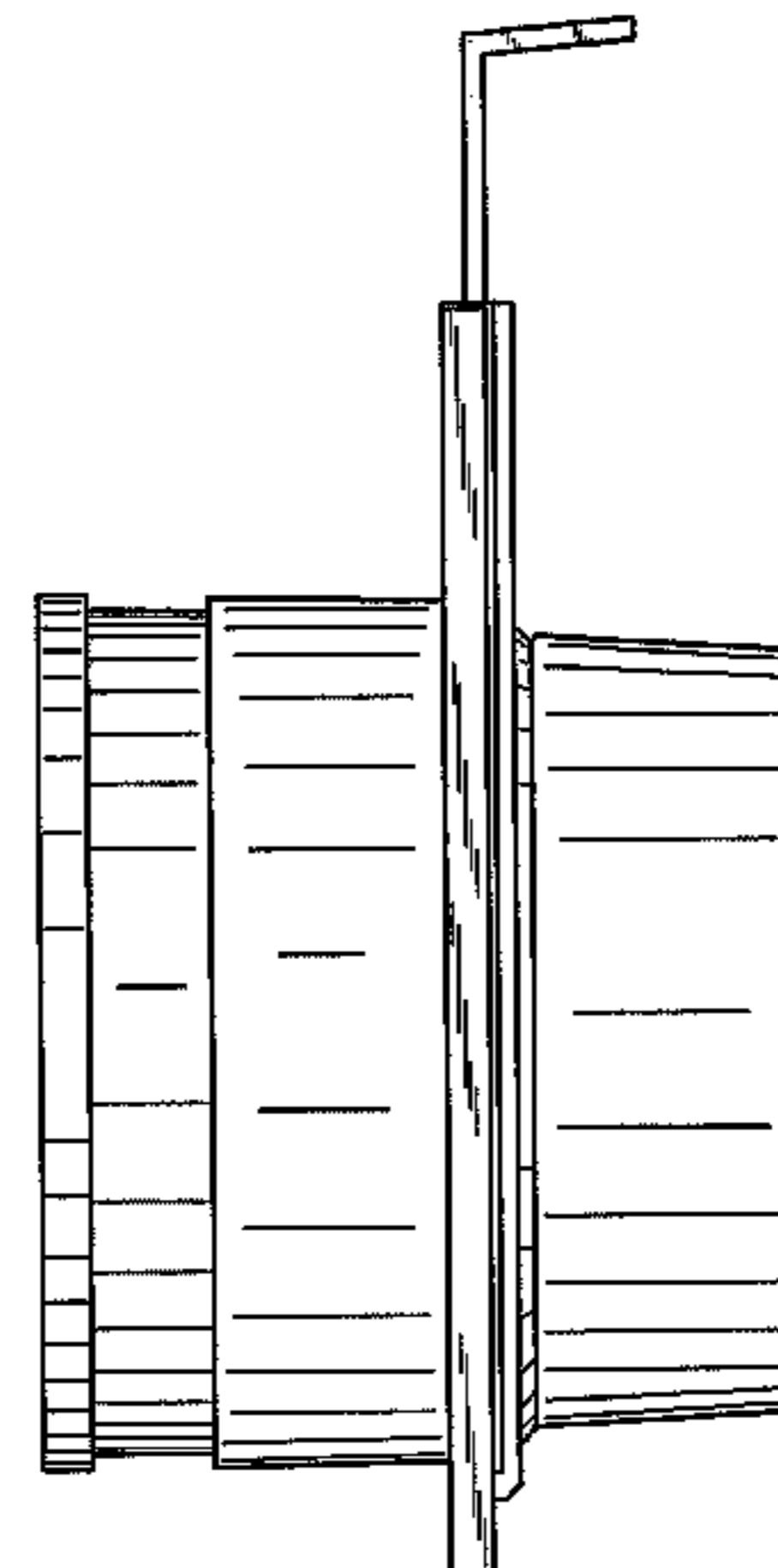
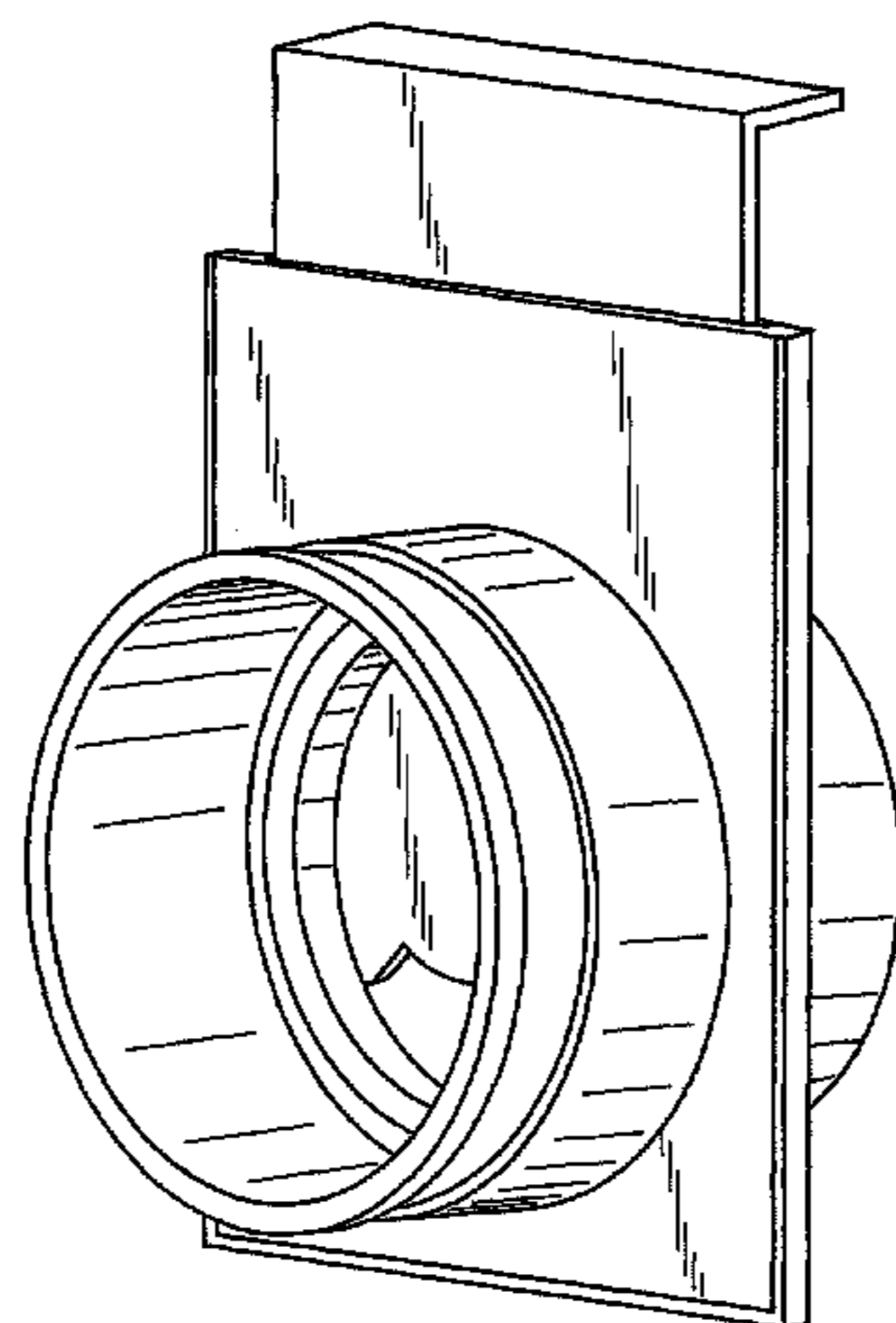
FIG. 10 is a side elevation view of FIG. 9;

FIG. 11 is a front elevation view of FIG. 9;

FIG. 12 is a rear elevation view of FIG. 9; and,

FIG. 13 is a top plan view of FIG. 9.

1 Claim, 13 Drawing Sheets



OTHER PUBLICATIONS

Sawmill Creek—Woodworkers Forums, post by Doug Shepard, “New Lee Valley Remote Self-Cleaning Blastgates for PVC”, May 24, 2007; <http://www.sawmillcreek.org/showthread.php?t=58586>; (5 pages).
6" Dust Collector Blast Gate—Direct Tool Mount; <http://sketchup.google.com/3dwarehouse/details?mid=12ee7200999732c516280872e3277da9&prevstart=0>; (one page), publically available at least as of Feb. 28, 2008.

Woodworker’s Supply, Inc., Spring 2008 Catalog #232, cover and pp. 214-217 (5 pages).

Rockier Woodworking and Hardware, Feb. 2008 Catalog, cover and p. 153 (2 pages).

Sawmill Creek—Woodworkers Forums, post by Bart Leetch, “My New Unique Blast Gates”, Nov. 17, 2007; <http://www.sawmillcreek.org/showthread.php?p=696740#poststop>; (7 pages) and enlargement of four photos in post (4 pages).

* cited by examiner

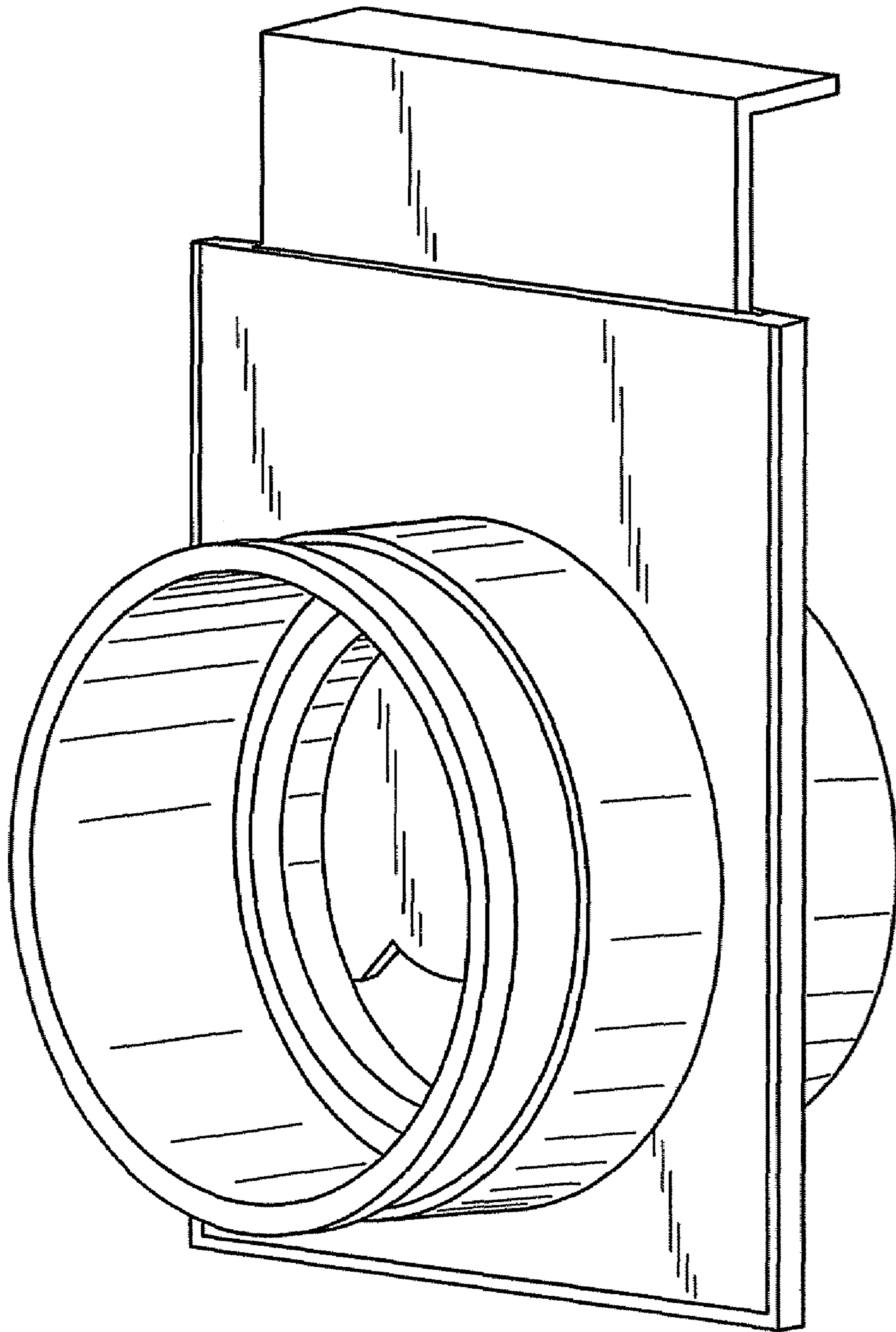


Fig. 1

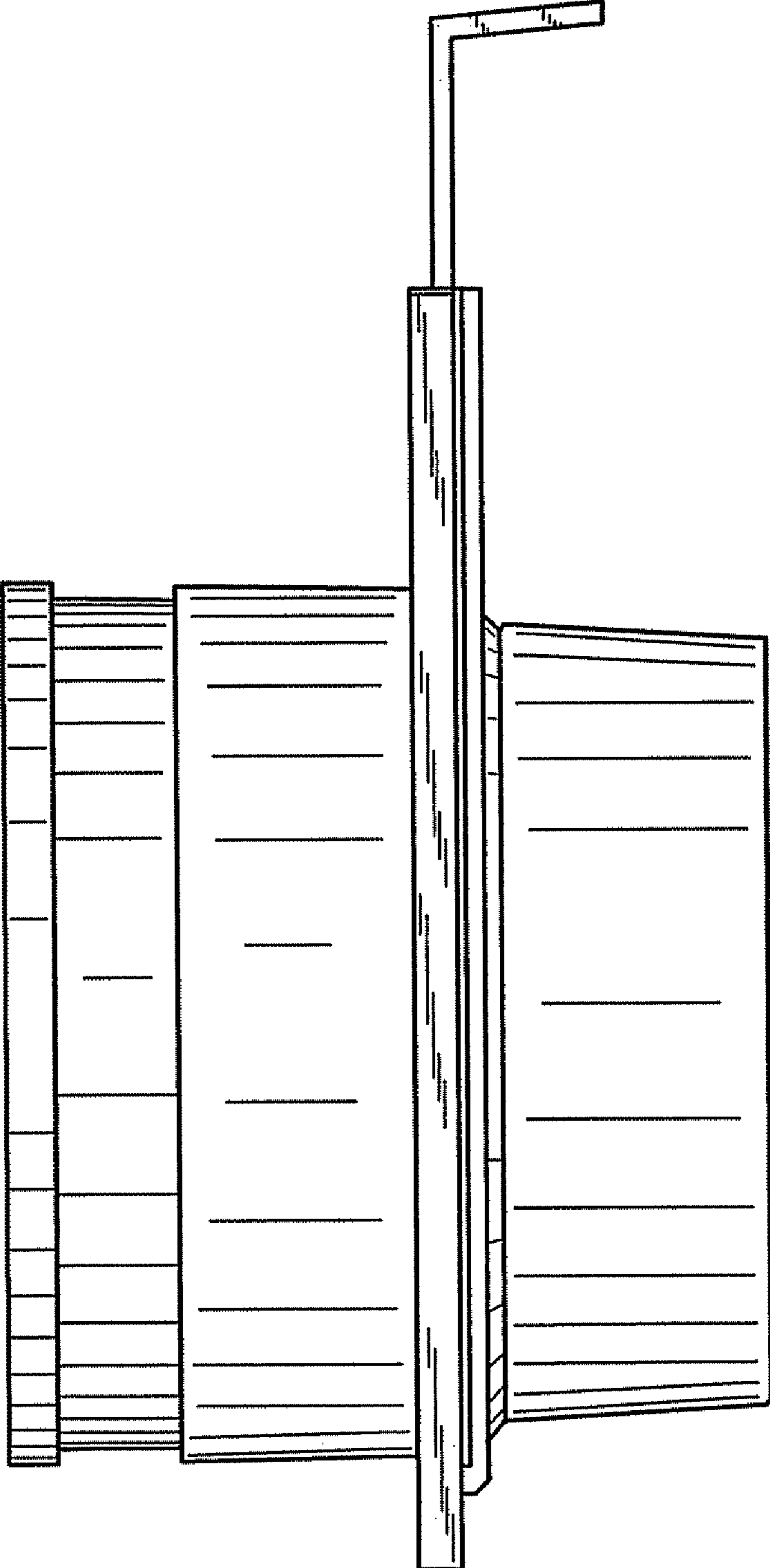


Fig. 2

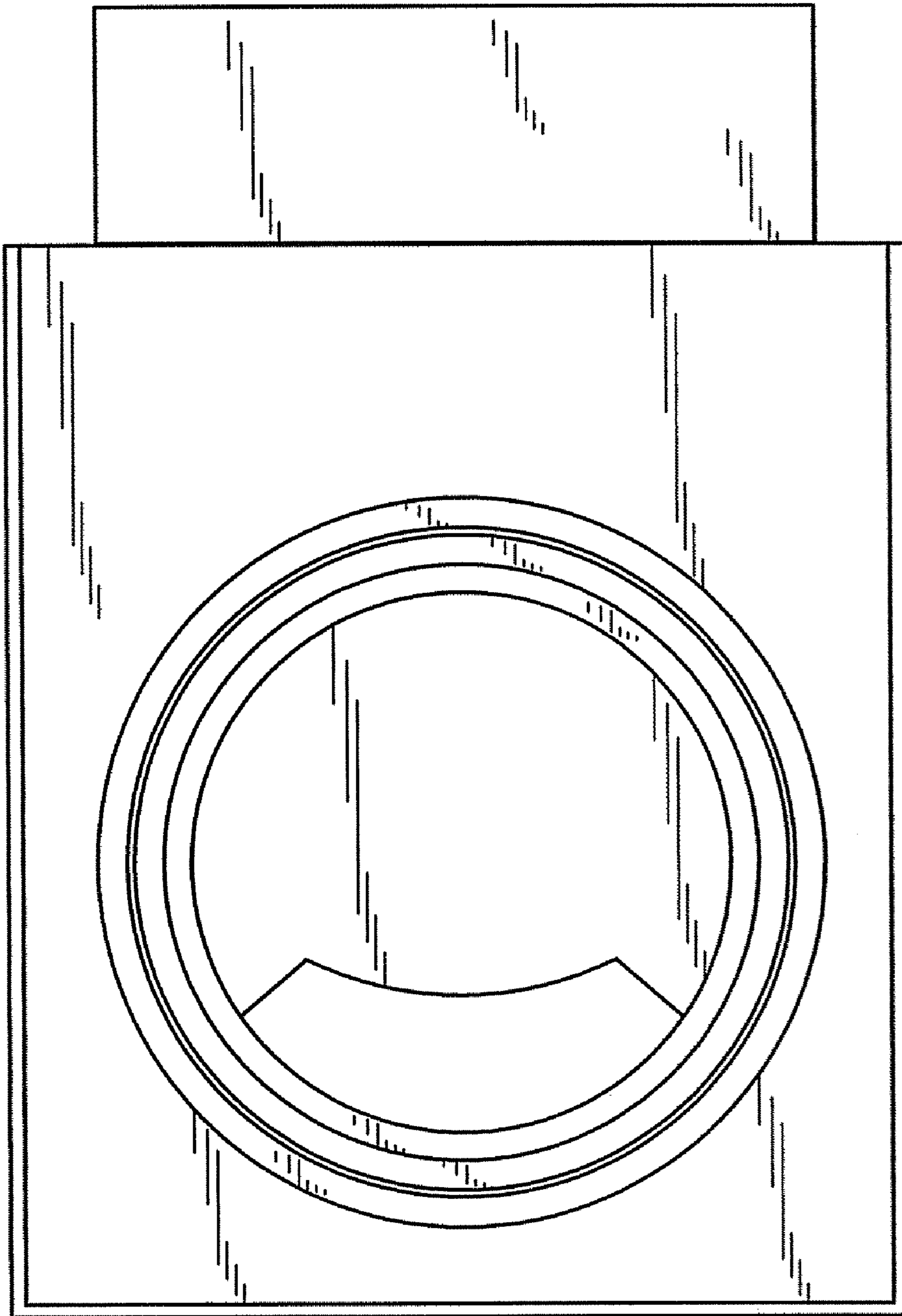


Fig. 3

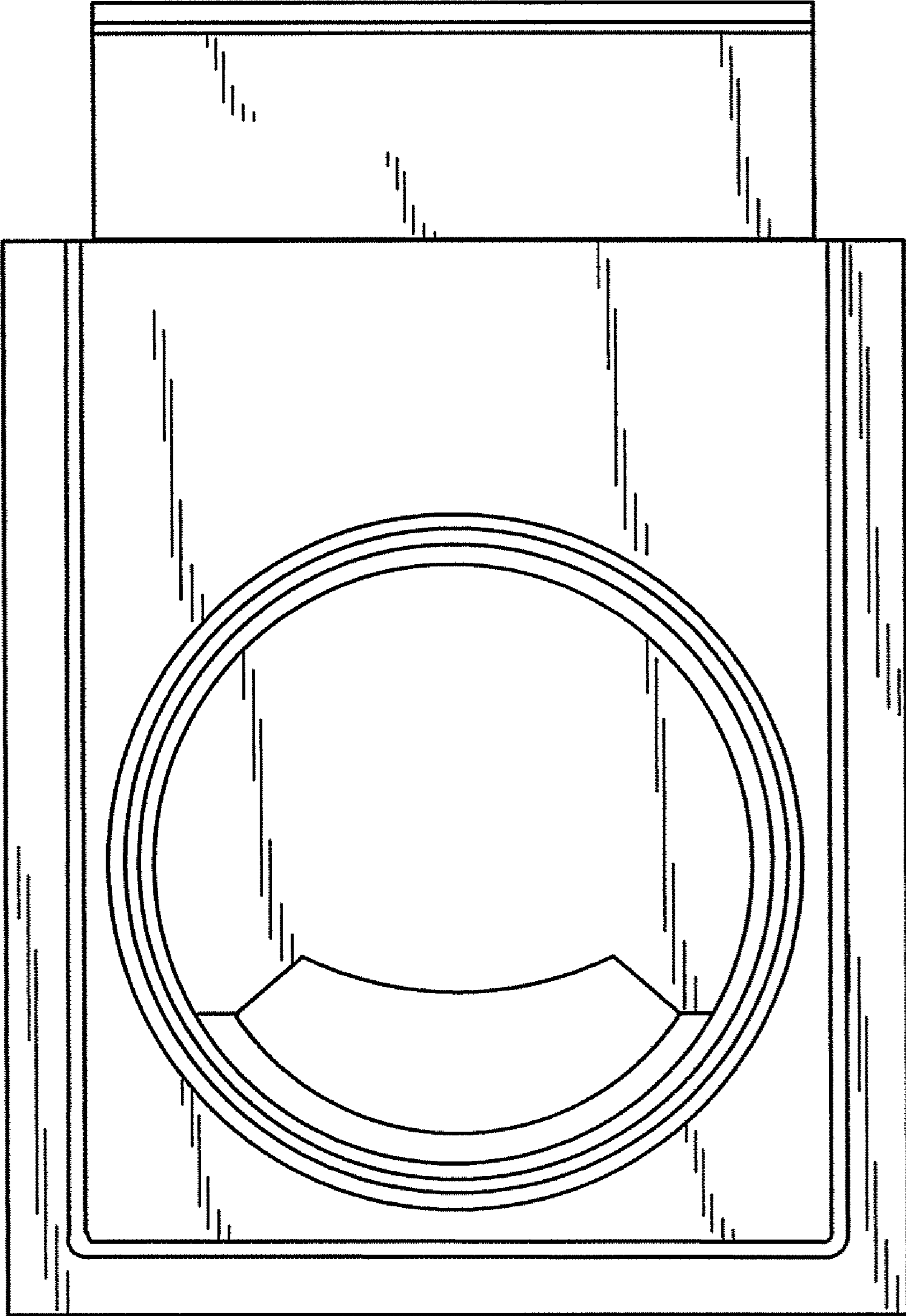


Fig. 4

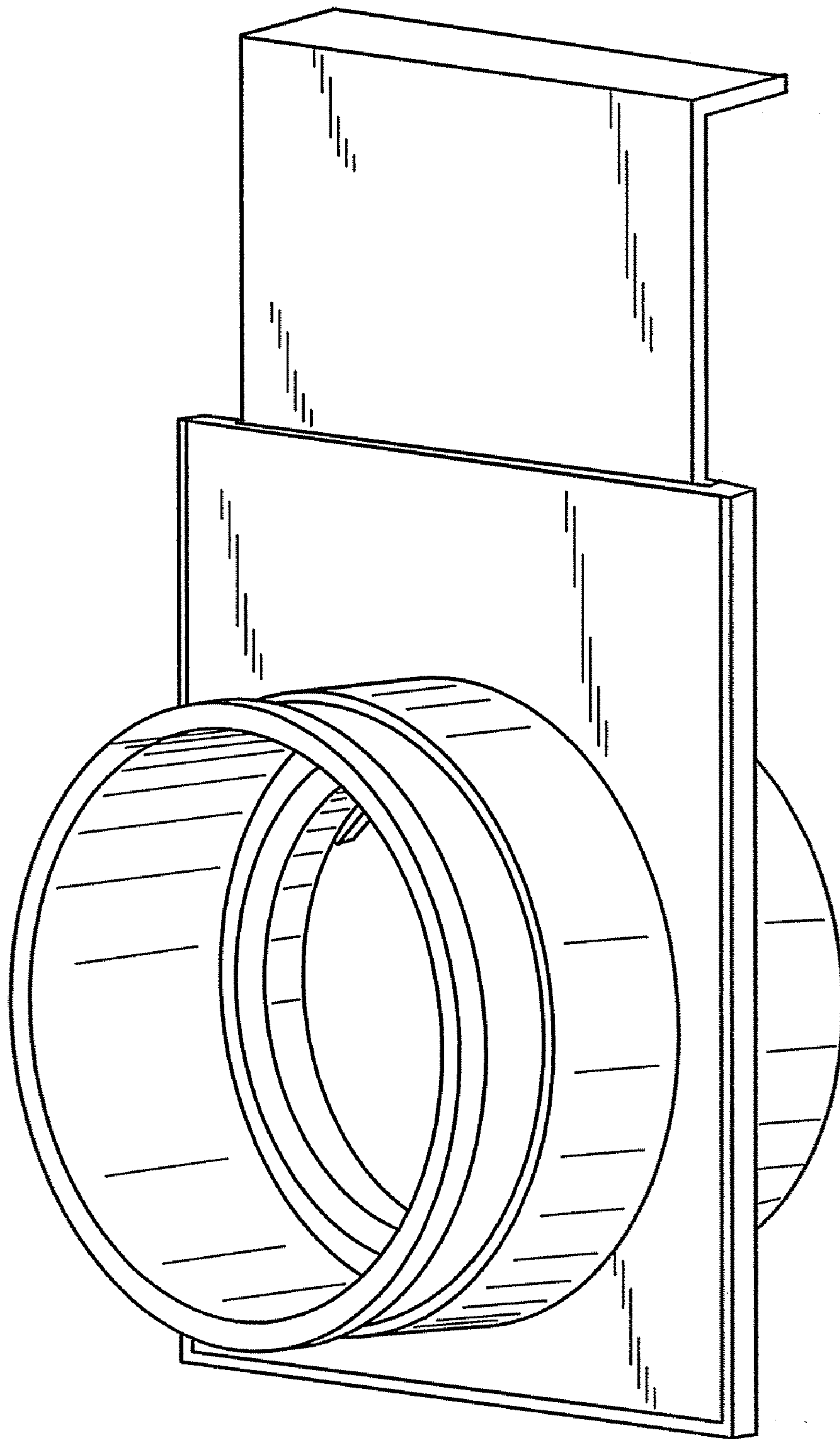


Fig. 5

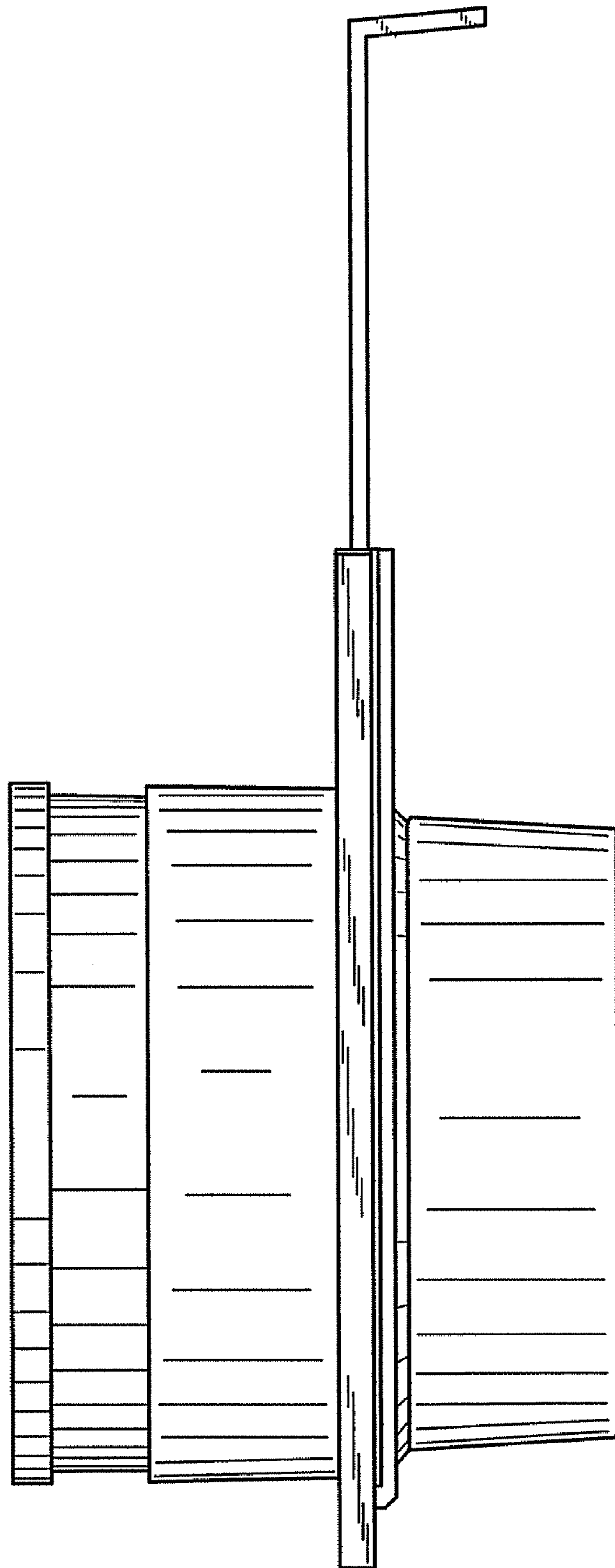


Fig. 6

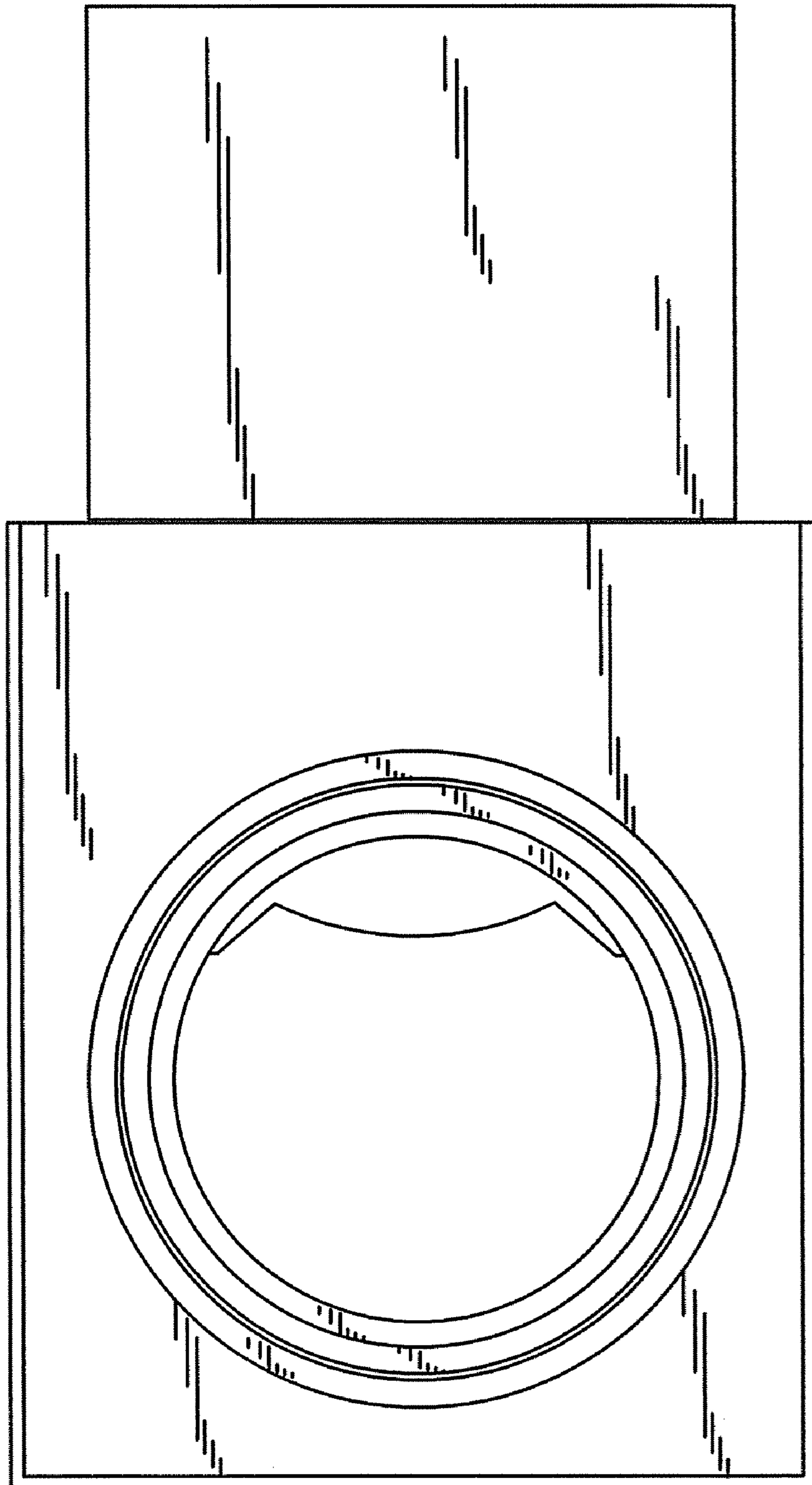


Fig. 7

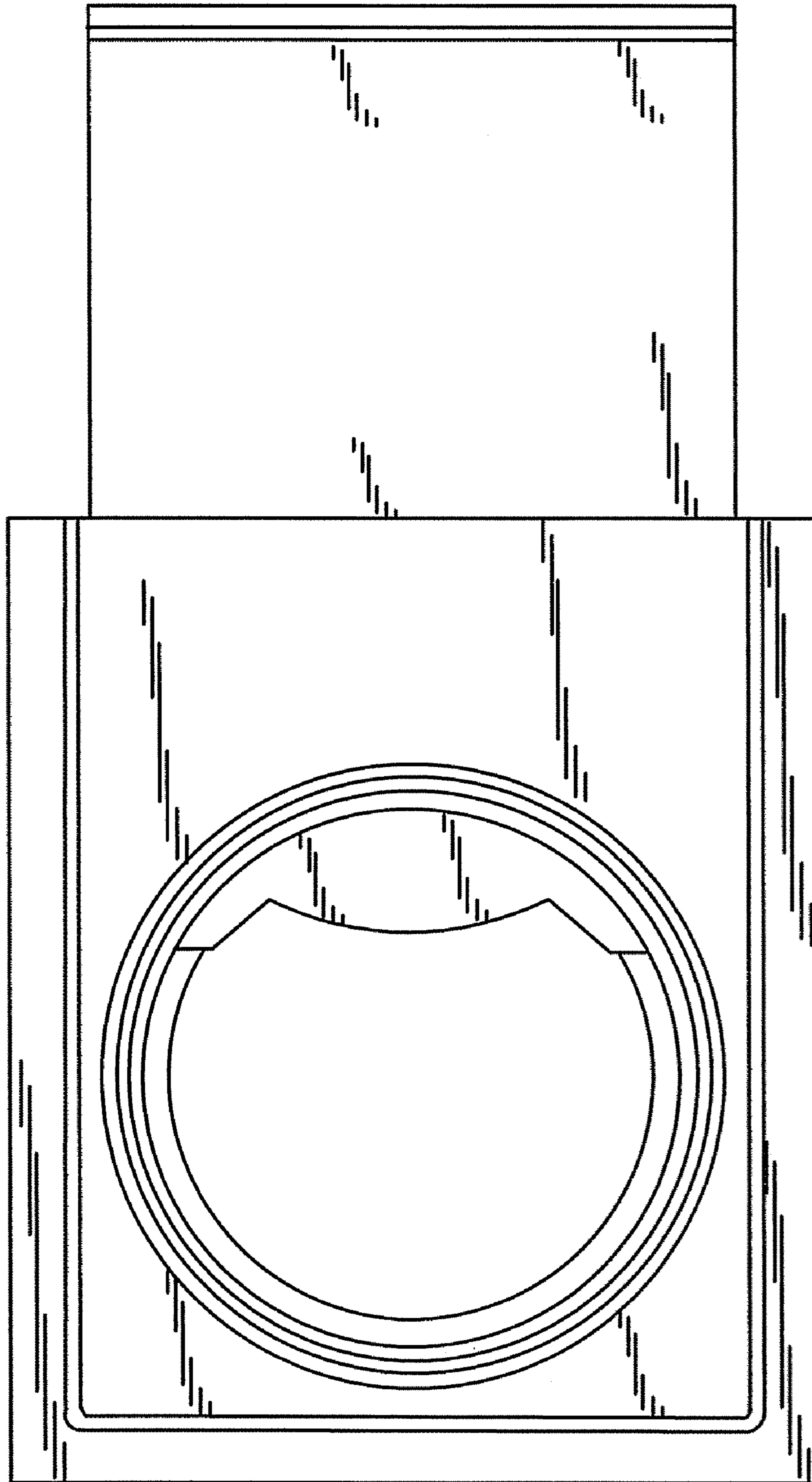


Fig. 8

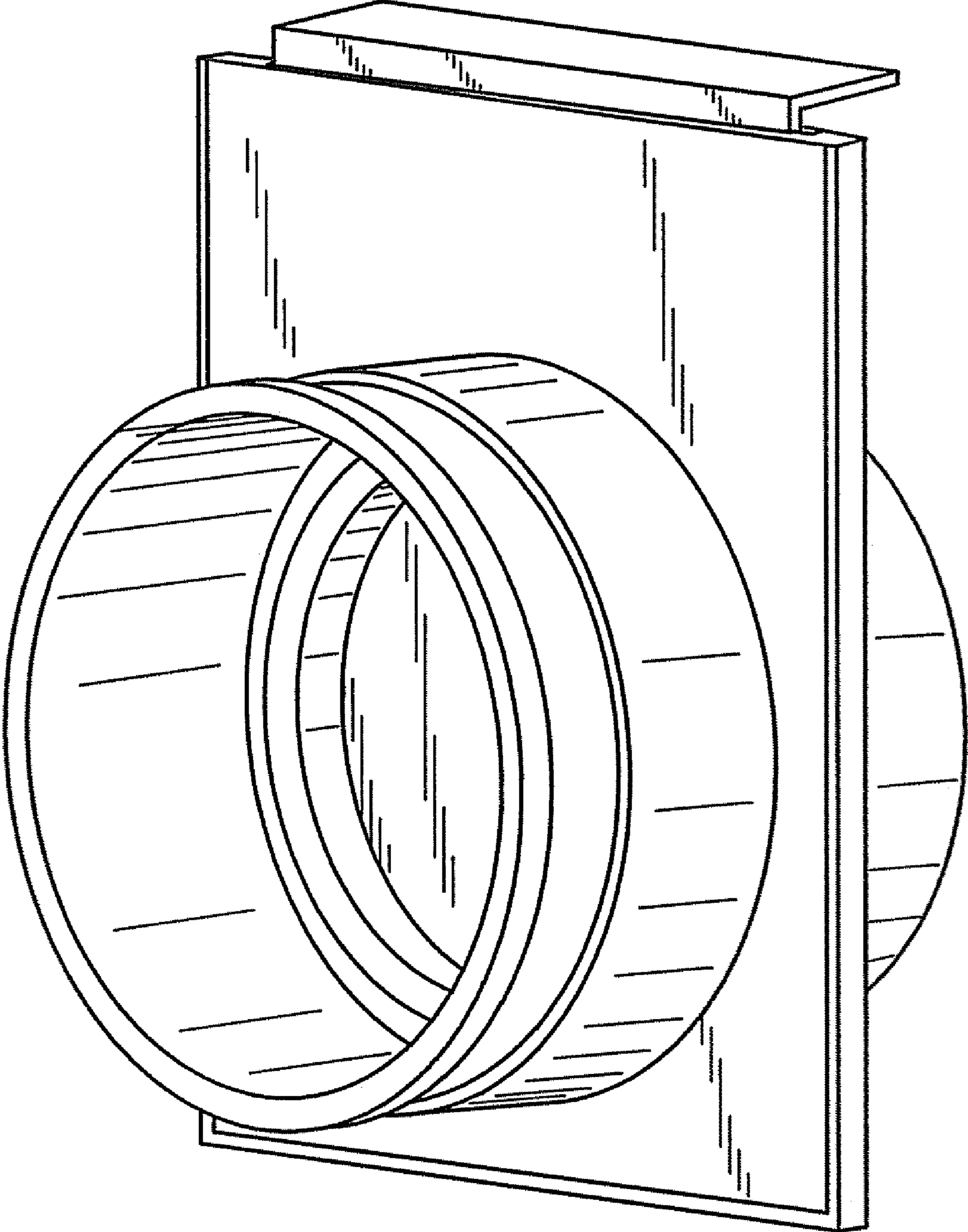


Fig. 9

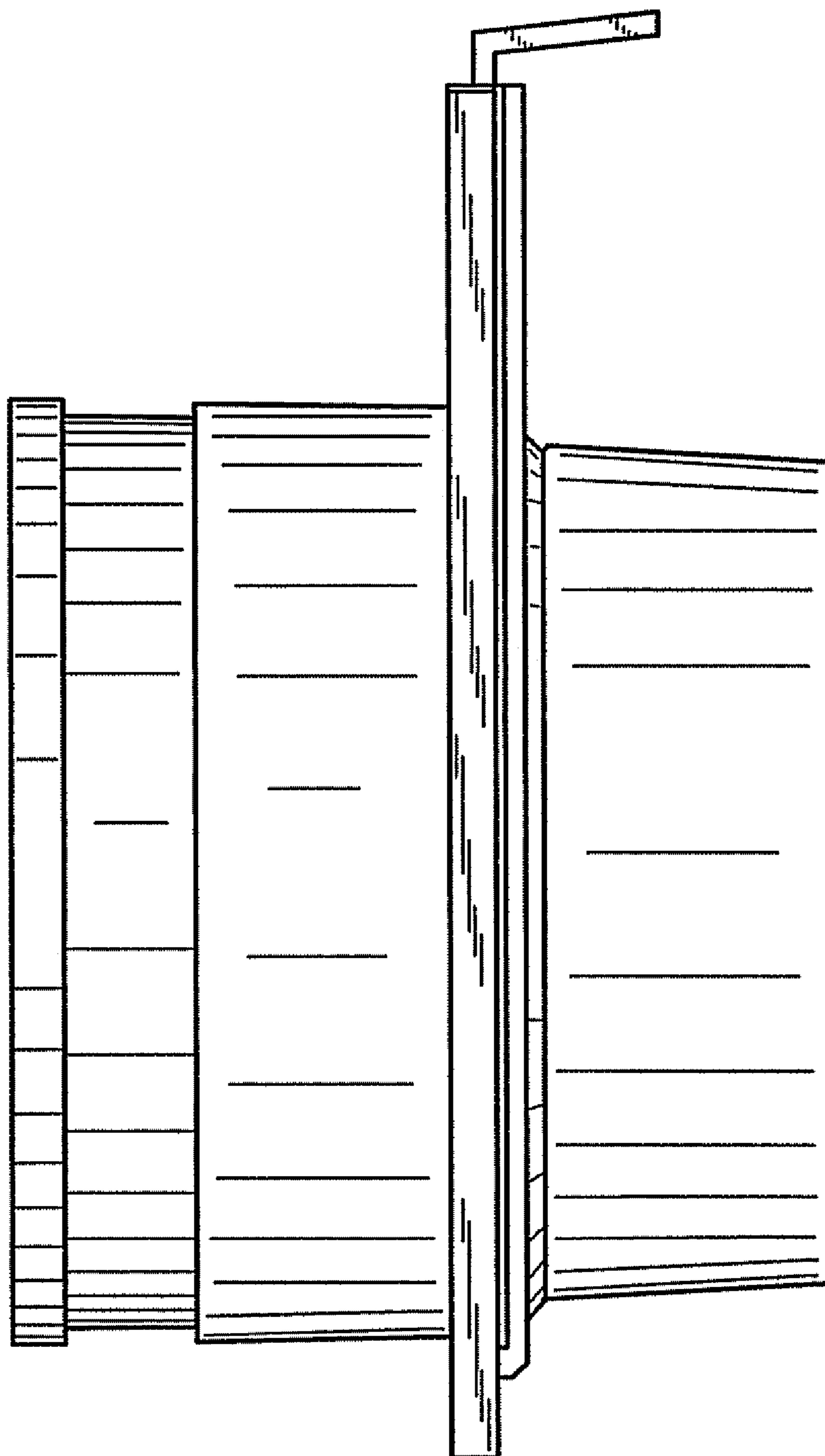


Fig. 10

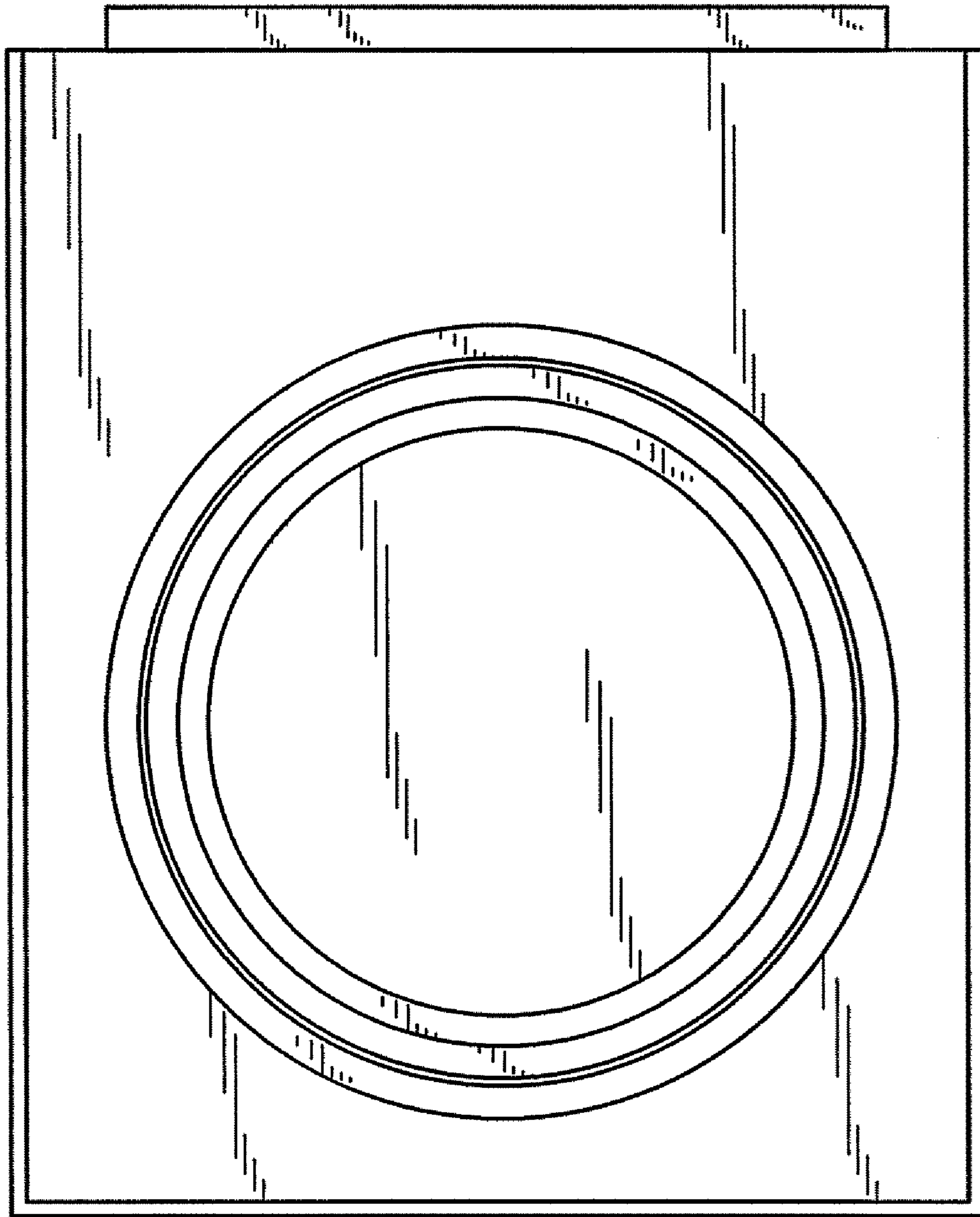


Fig. 11

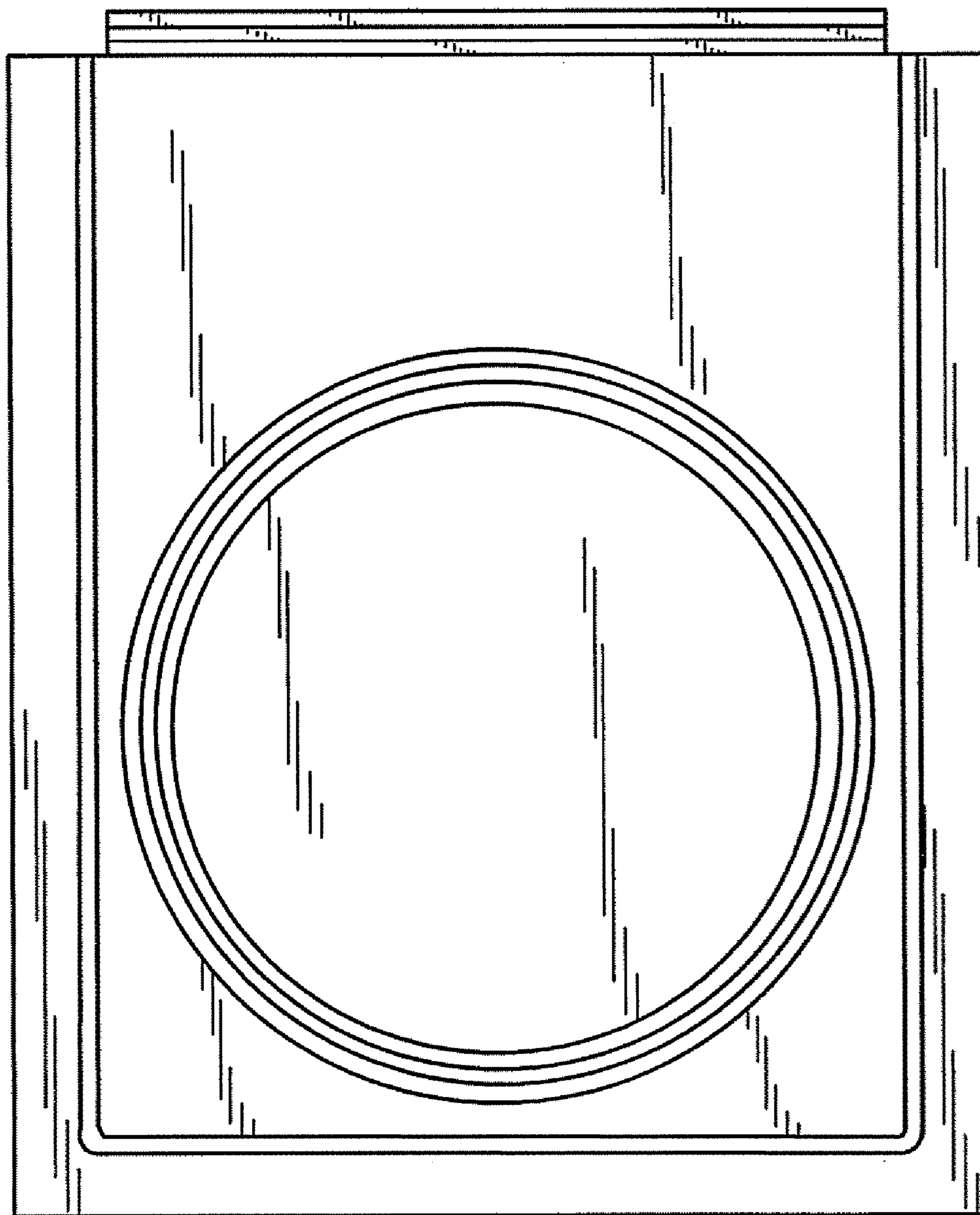


Fig. 12

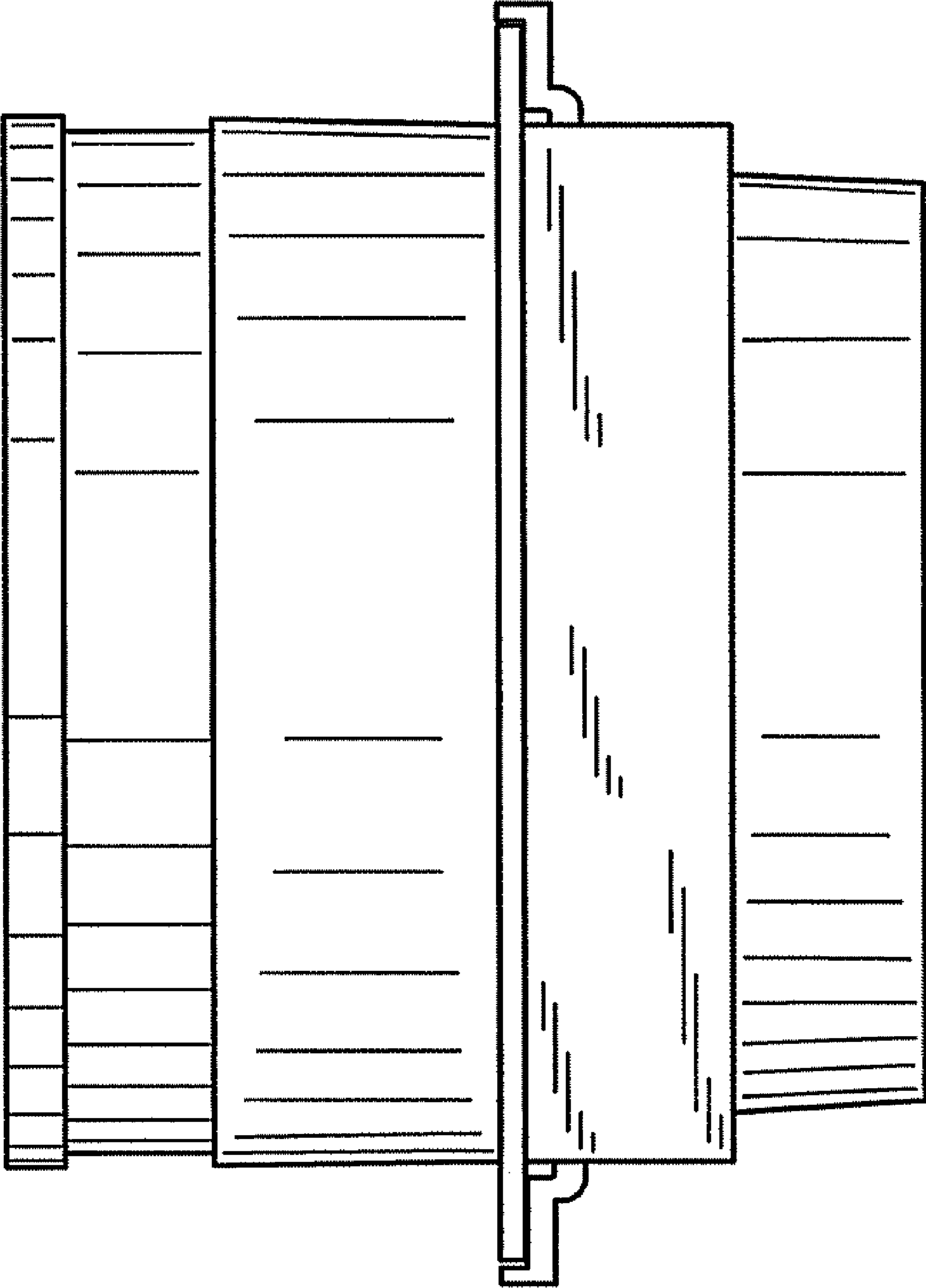


Fig. 13