



US00D604827S

(12) **United States Design Patent**
Lin

(10) **Patent No.:** **US D604,827 S**
(45) **Date of Patent:** **** Nov. 24, 2009**

(54) **FUME HOOD WITH AN ANGLED FRONT**

(57) **CLAIM**

(75) Inventor: **Xiang Qian Lin**, Singapore (SG)

The ornamental design for a fume hood with an angled front, as shown.

(73) Assignee: **Esco Technologies (Asia) Pte Ltd**, Singapore (SG)

DESCRIPTION

(**) Term: **14 Years**

The fume hood includes a hood body, a sliding door or sash, a work surface, an airfoil, an exhaust plenum, and baffles to maintain airflow uniformity. The fume hood serves to control exposure to toxic, offensive or flammable vapors, gases and aerosols in the laboratory by exhausting the same from a confined location, helping to protect workers from inhalation exposure.

(21) Appl. No.: **29/308,791**

(22) Filed: **Jul. 8, 2008**

(51) **LOC (9) Cl.** **23-04**

(52) **U.S. Cl.** **D23/372**

(58) **Field of Classification Search** D23/372,
D23/371, 370; D7/406; 126/299 D, 299 R;
454/56, 57

See application file for complete search history.

FIG. 1 is a front view of the fume hood with an angled front;
FIG. 2 is a first side view of the fume hood with an angled front;

FIG. 3 is a second side view of the fume hood with an angled front;

FIG. 4 is an enlarged top view of the fume hood with an angled front;

FIG. 5 is an enlarged rear view of the fume hood with an angled front;

FIG. 6 is a first perspective view of the fume hood with an angled front;

FIG. 7 is an enlarged perspective view of the detail 7 from FIG. 6;

FIG. 8 is an enlarged second perspective view of the fume hood with an angled front; and,

FIG. 9 is an enlarged perspective view of the detail 9 from FIG. 8.

(56) **References Cited**

U.S. PATENT DOCUMENTS

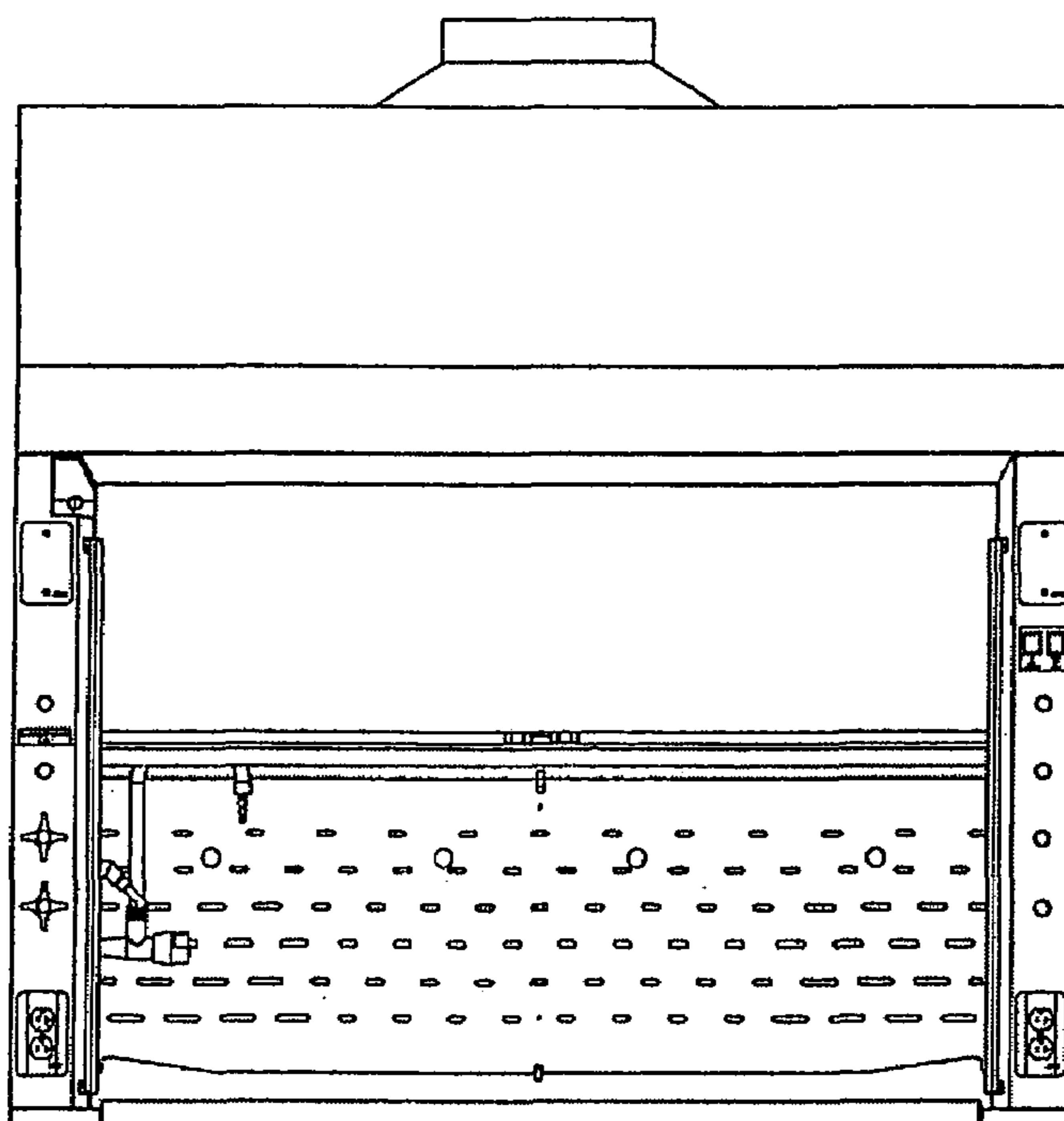
D214,376 S	6/1969	Sullivan	D23/151
D285,719 S *	9/1986	Conlon	D23/371
D286,324 S	10/1986	Parks et al.	D23/151
D346,437 S	4/1994	Poblete et al.	D23/371
D360,682 S	7/1995	Gilkison et al.	D23/371
6,461,233 B1 *	10/2002	Gilkison et al.	454/57
D472,645 S	4/2003	Roepke et al.	D24/234
7,247,087 B1 *	7/2007	Poblete et al.	454/56

* cited by examiner

Primary Examiner—Lisa P Lichtenstein

(74) *Attorney, Agent, or Firm*—Niels, Lemack & Frame, LLC

1 Claim, 4 Drawing Sheets



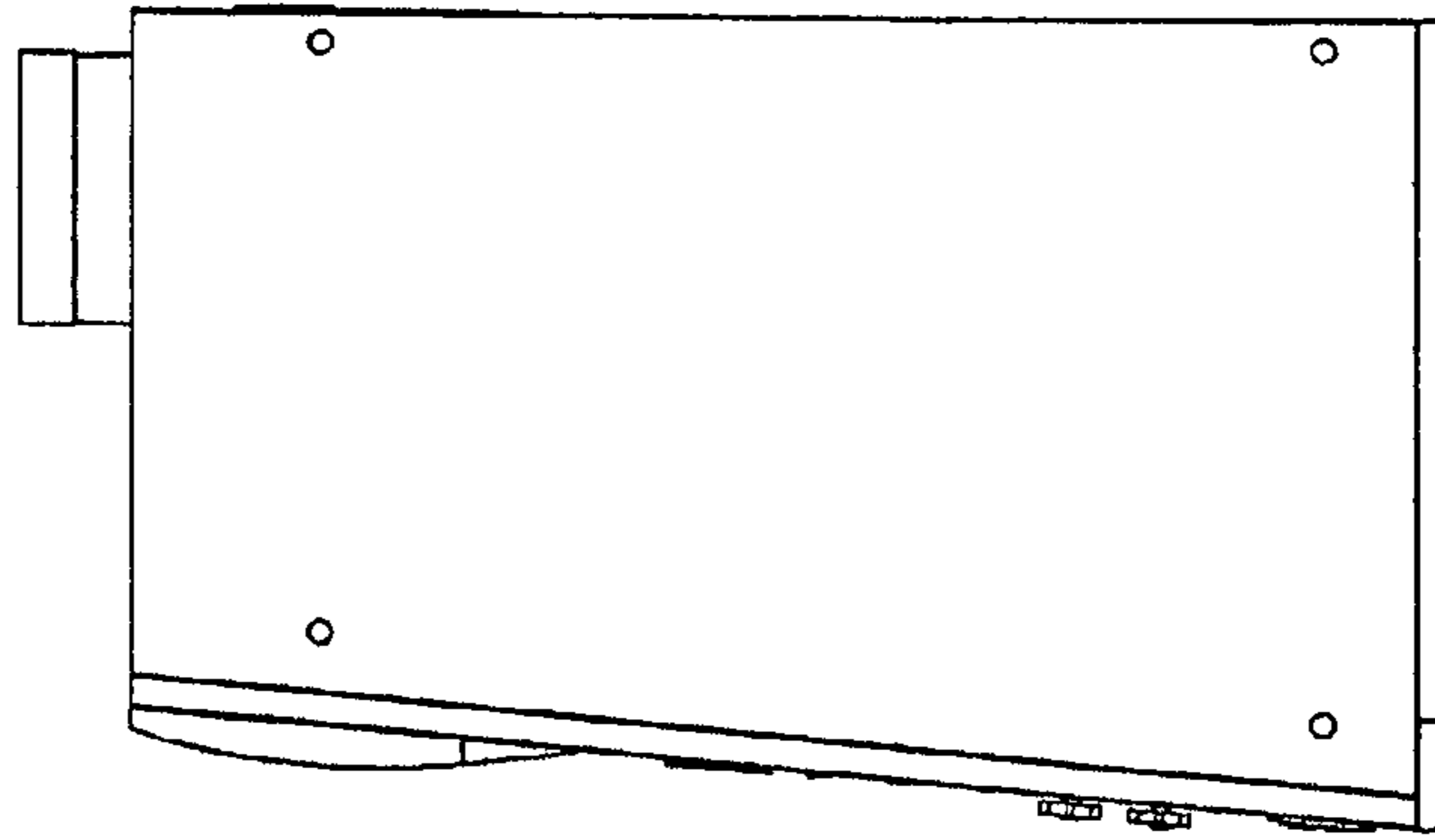


FIG.3

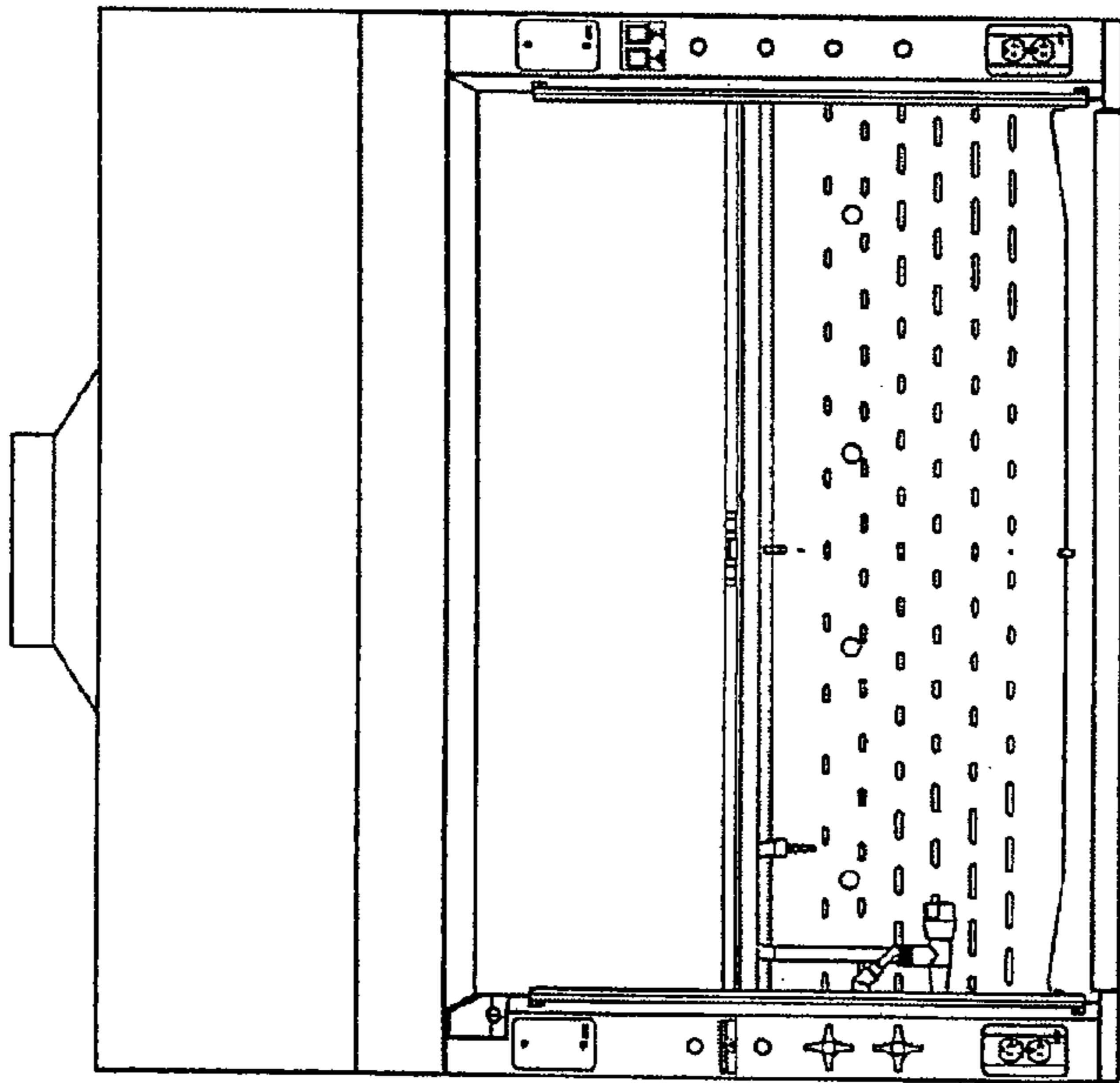


FIG.1

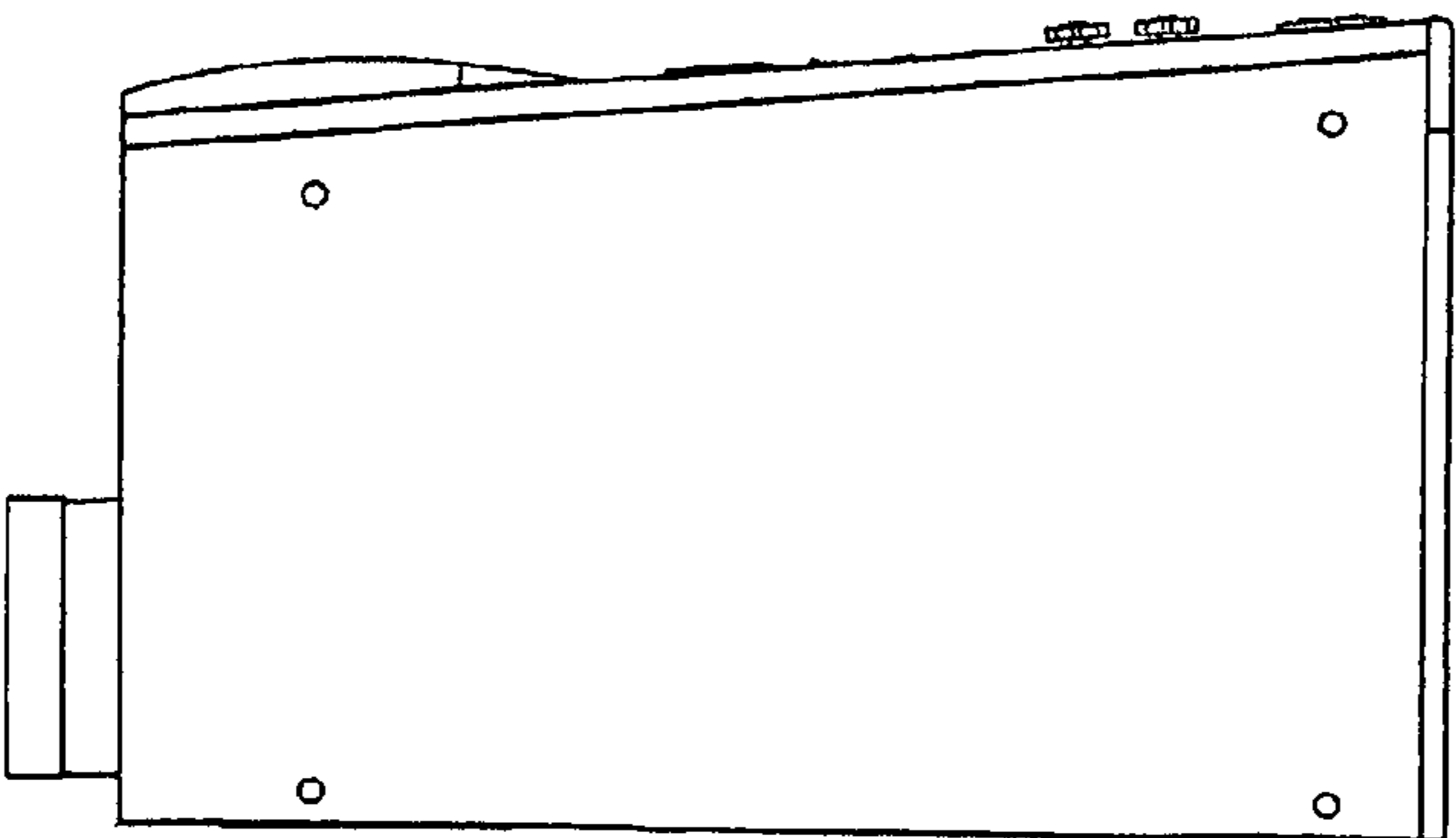


FIG.2

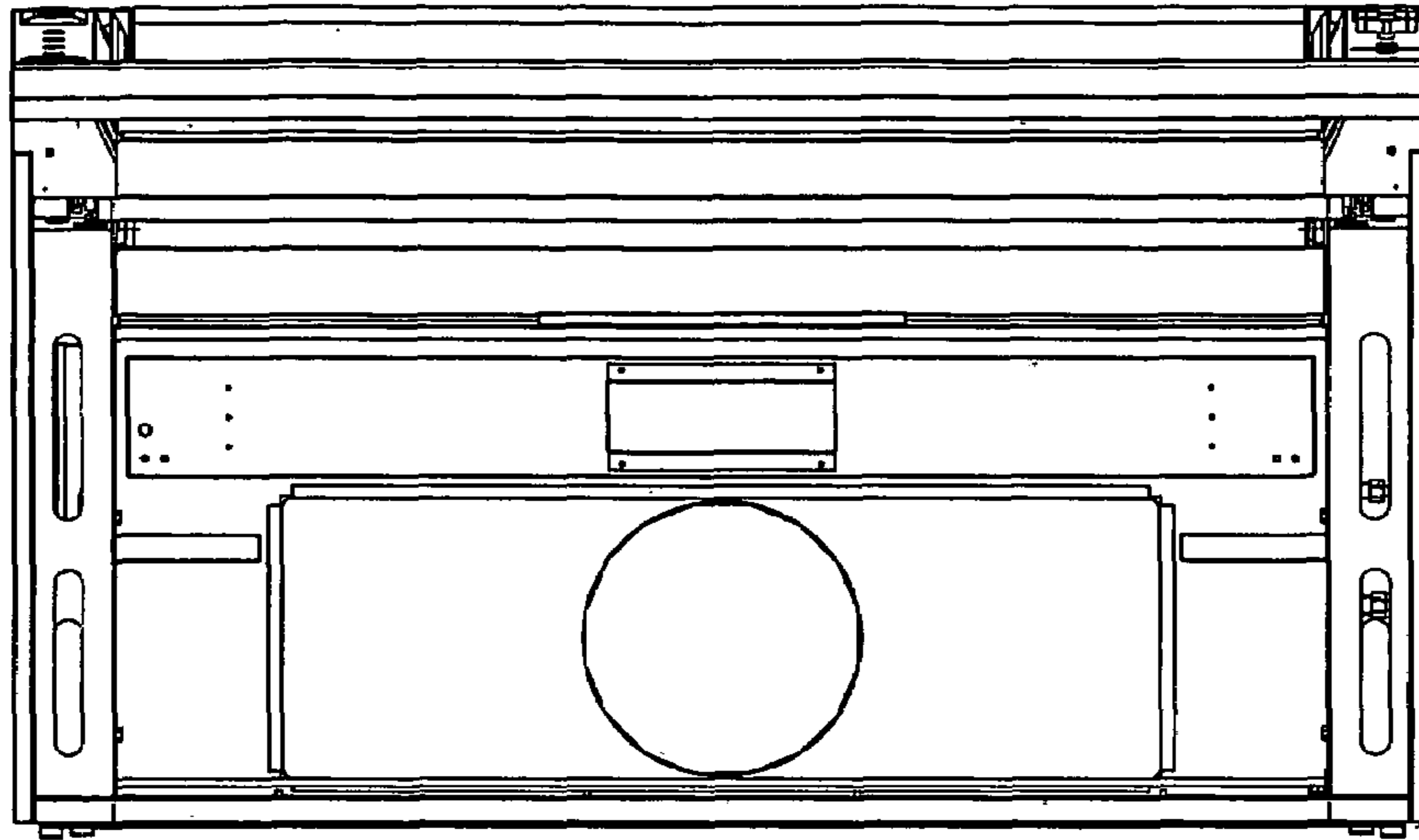


FIG. 4

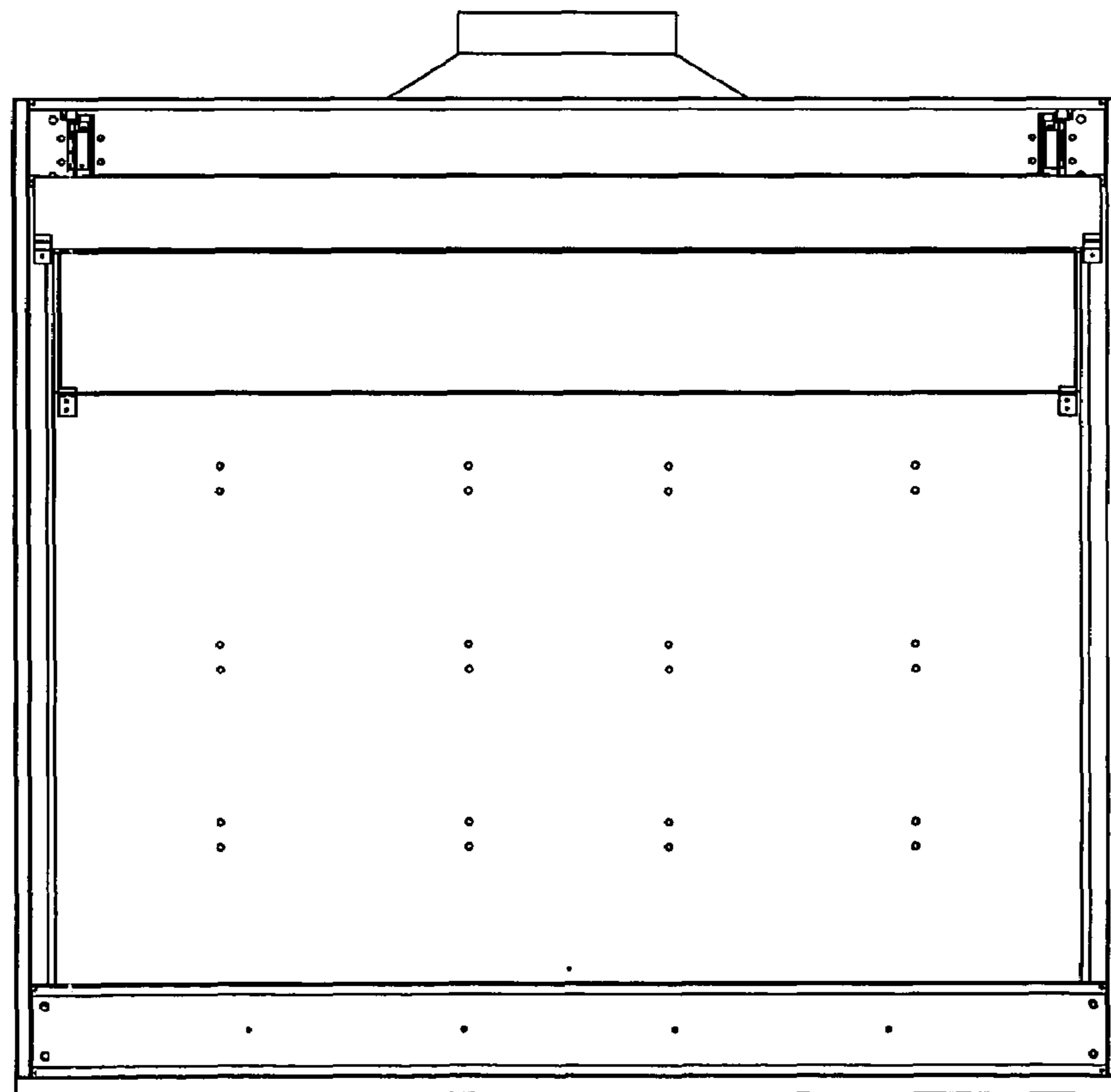


FIG. 5

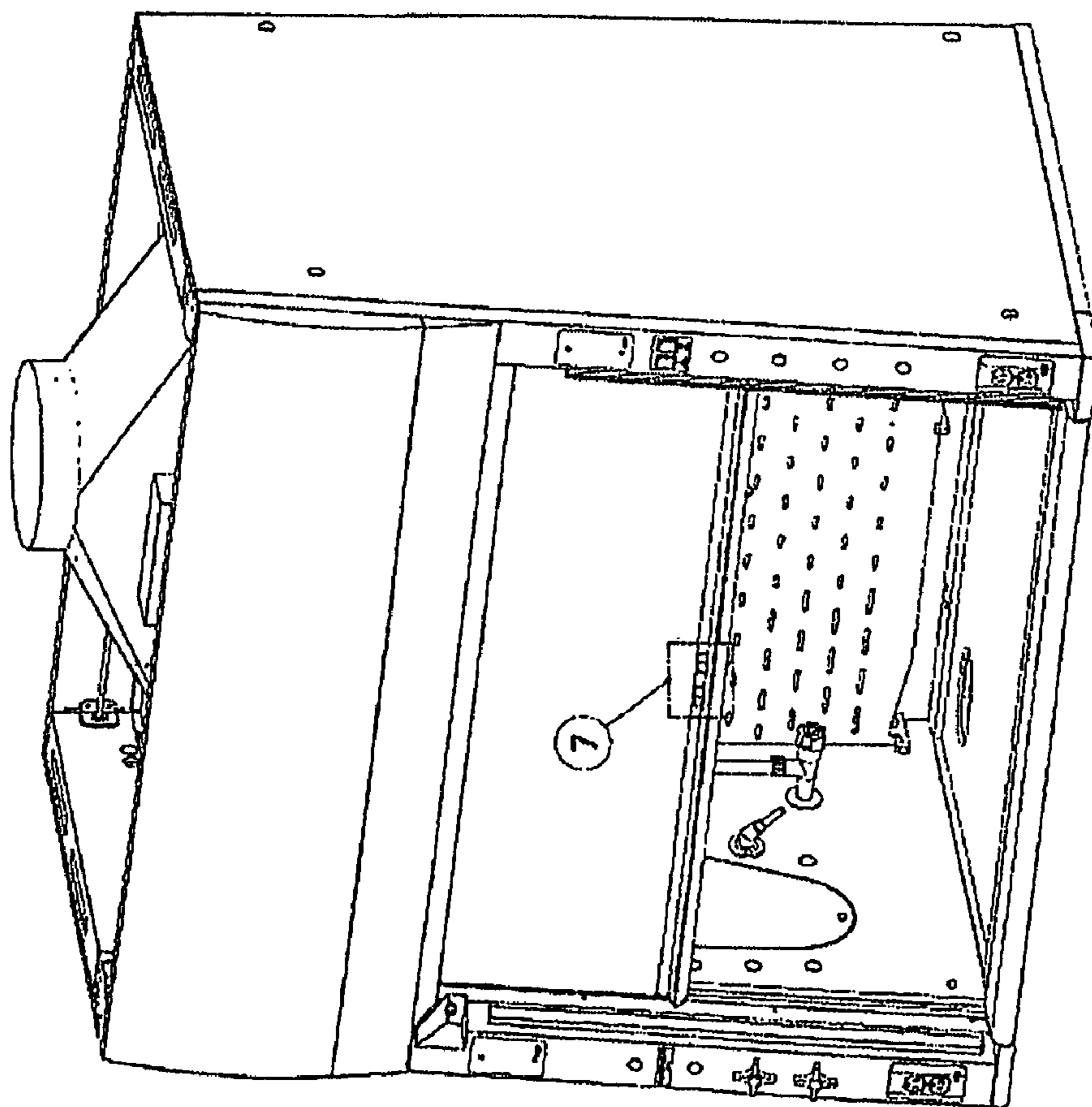


FIG. 6

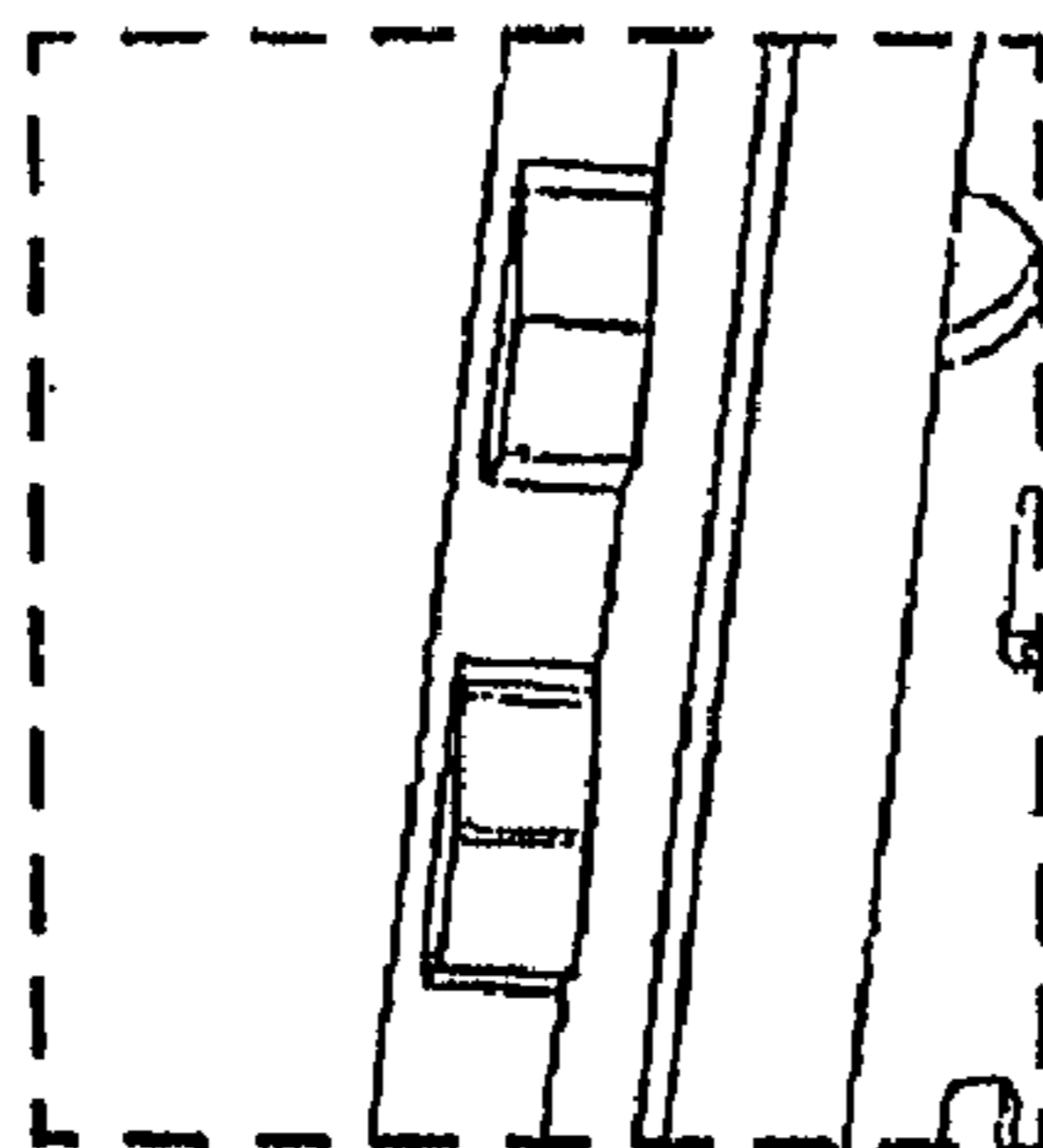


FIG. 7

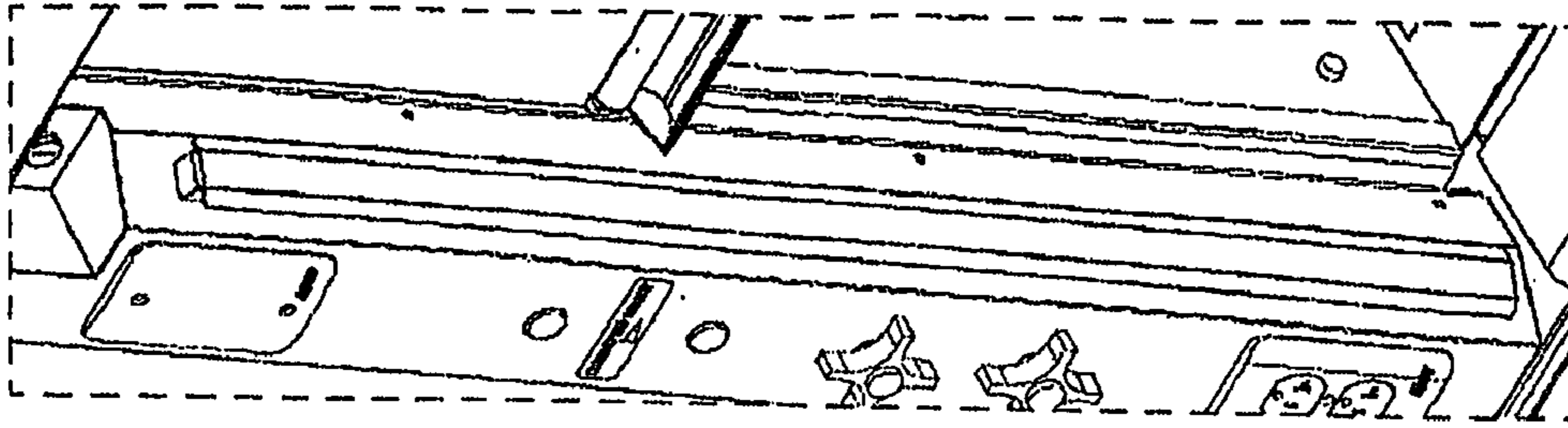


FIG. 9

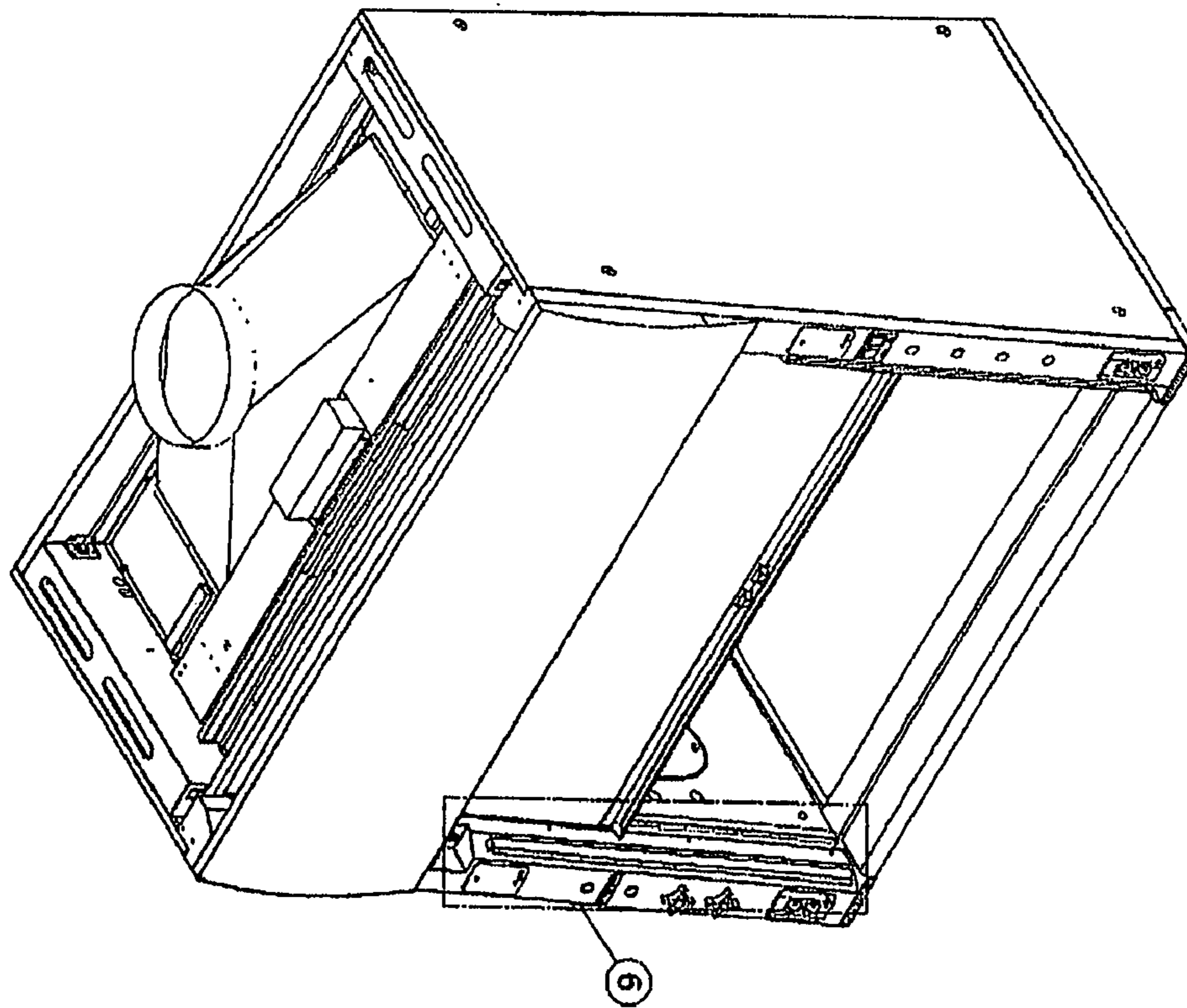


FIG. 8