



US00D604825S

(12) **United States Design Patent**  
**Brandenburg**

(10) **Patent No.:** **US D604,825 S**

(45) **Date of Patent:** **\*\* Nov. 24, 2009**

(54) **AIR FRESHENER DEVICE**

(57) **CLAIM**

(75) Inventor: **Kyle Brandenburg**, Middletown, DE  
(US)

The ornamental design for an air freshener device, as shown and described.

(73) Assignee: **Haytoft Enterprises, Inc.**, Wilmington, DE (US)

**DESCRIPTION**

(\*\*) Term: **14 Years**

FIG. 1 is a right front perspective view of a first embodiment of an air freshener device showing the invention;

(21) Appl. No.: **29/339,116**

FIG. 2 is a left bottom perspective view of the air freshener device of FIG. 1;

(22) Filed: **Jun. 24, 2009**

FIG. 3 is a top plan view of the air freshener device of FIG. 1;

(51) **LOC (9) Cl.** ..... **28-99**

FIG. 4 is a bottom plan view of the air freshener device of FIG. 1 in which an optional stabilizing rib is shown in phantom outline;

(52) **U.S. Cl.** ..... **D23/366**

FIG. 5 is a left side elevational view of the air freshener device of FIG. 1 in which the stabilizing rib is shown in phantom outline, wherein the right side elevational view is a mirror image thereof;

(58) **Field of Classification Search** ..... D23/355-369;  
D28/5, 6; 261/DIG. 17, DIG. 42, DIG. 65,  
261/DIG. 88, DIG. 89; 392/386, 390, 391,  
392/392, 394, 395; 239/34, 35, 43-45, 53,  
239/56, 57, 60, 326

See application file for complete search history.

FIG. 6 is a rear elevational view of the air freshener device of FIG. 1;

(56) **References Cited**

FIG. 7 is a front elevational view of the air freshener device of FIG. 1;

**U.S. PATENT DOCUMENTS**

FIG. 8 is a left front perspective view of the air freshener device of FIG. 1 installed within a motor vehicle air conditioning vent, which vent is in phantom outline; and,

D97,356 S *	10/1935	Robinson	.....	D23/362
D110,981 S *	8/1938	Robinson	.....	D23/362
D112,286 S *	11/1938	Krapf et al.	.....	D23/356
D117,150 S *	10/1939	Robinson	.....	D23/362
D119,010 S *	2/1940	Robinson	.....	D23/362
D181,257 S *	10/1957	Katzman	.....	D23/363
D546,433 S *	7/2007	Wu	.....	D23/366
D549,812 S *	8/2007	Fellows et al.	.....	D23/366
D551,333 S *	9/2007	Wu	.....	D23/366
D555,778 S *	11/2007	Fellows et al.	.....	D23/366
D561,319 S *	2/2008	Weggelaar	.....	D23/366
D582,026 S *	12/2008	Weggelaar	.....	D23/366
D594,953 S *	6/2009	King et al.	.....	D23/366

FIG. 9 is a left front perspective view of a second embodiment of an air freshener device showing the invention installed within a motor vehicle air conditioning vent, which is in phantom outline, wherein said figure further shows an optional logo or commercial indicia on a front surface of said device in phantom outline; wherein the top plan view, bottom plan view, left side elevational view, right side elevational view, front elevational view and rear elevational view are otherwise the same as shown with respect to the first embodiment of the air freshener device shown in FIGS. 1-8.

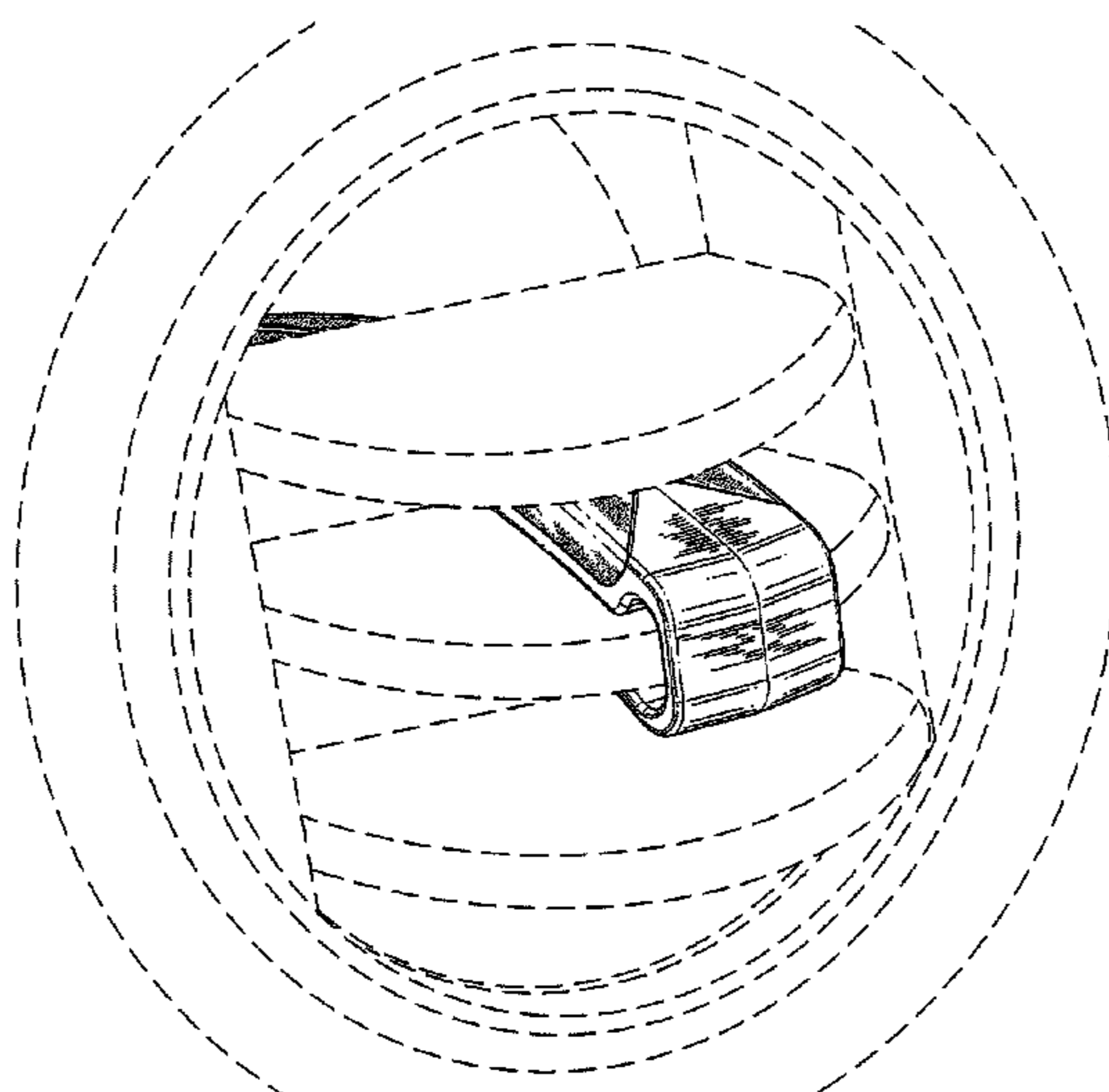
\* cited by examiner

The elements shown in phantom lines are for illustrative purposes only and form no part of the claimed invention.

*Primary Examiner*—Sandra Snapp

(74) *Attorney, Agent, or Firm*—Connolly Bove Lodge & Hutz LLP

**1 Claim, 5 Drawing Sheets**



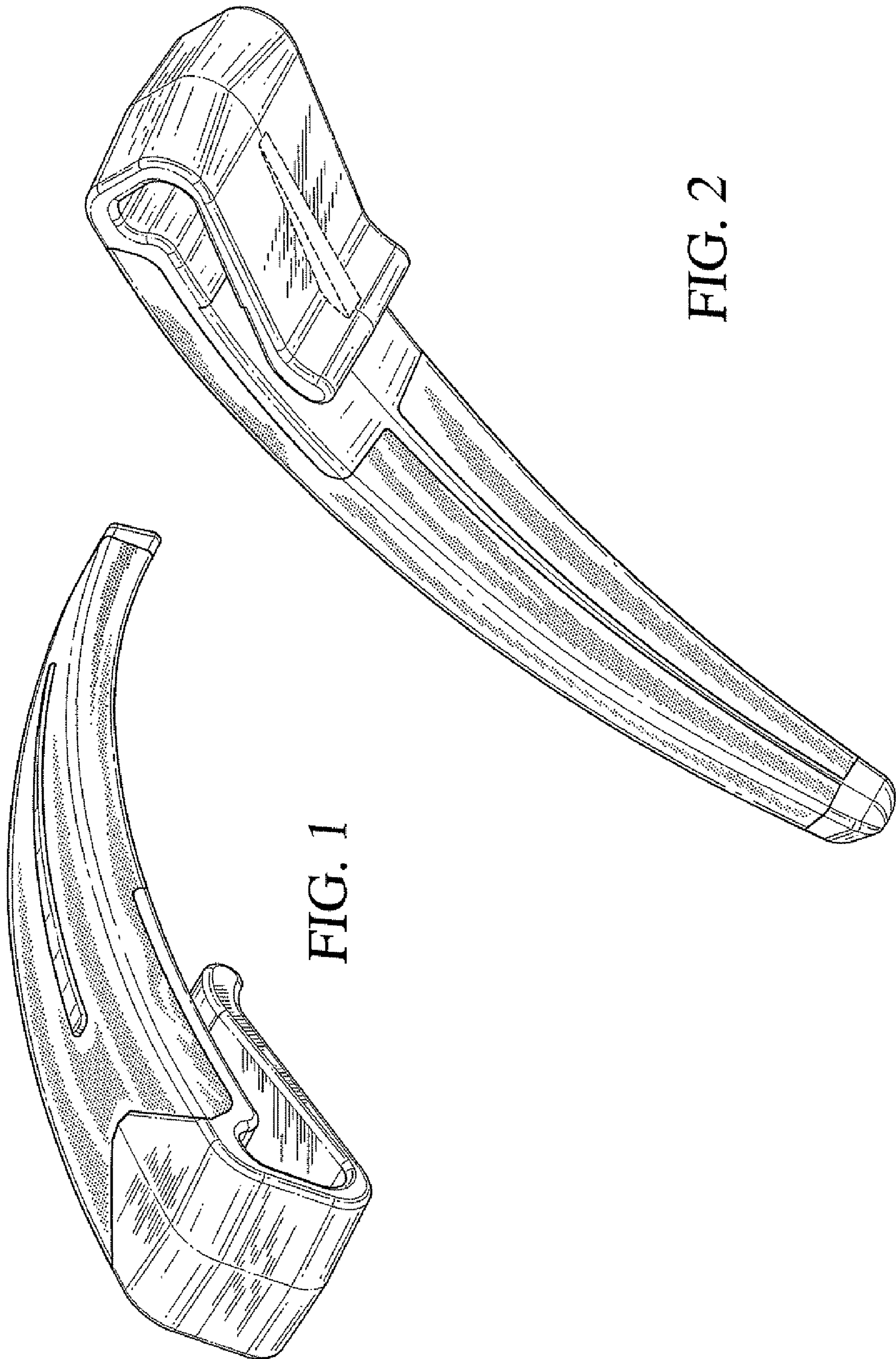


FIG. 1

FIG. 2

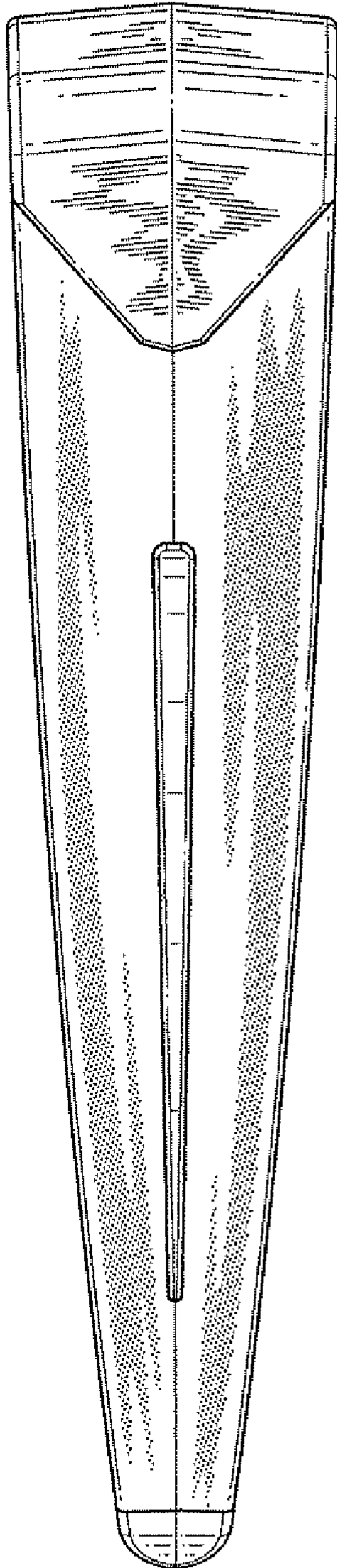


FIG. 3

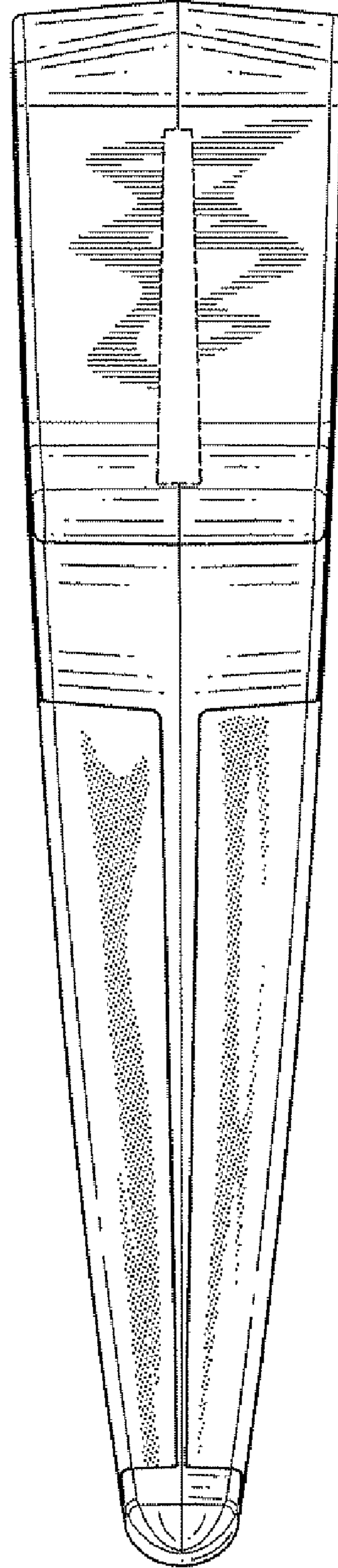


FIG. 4

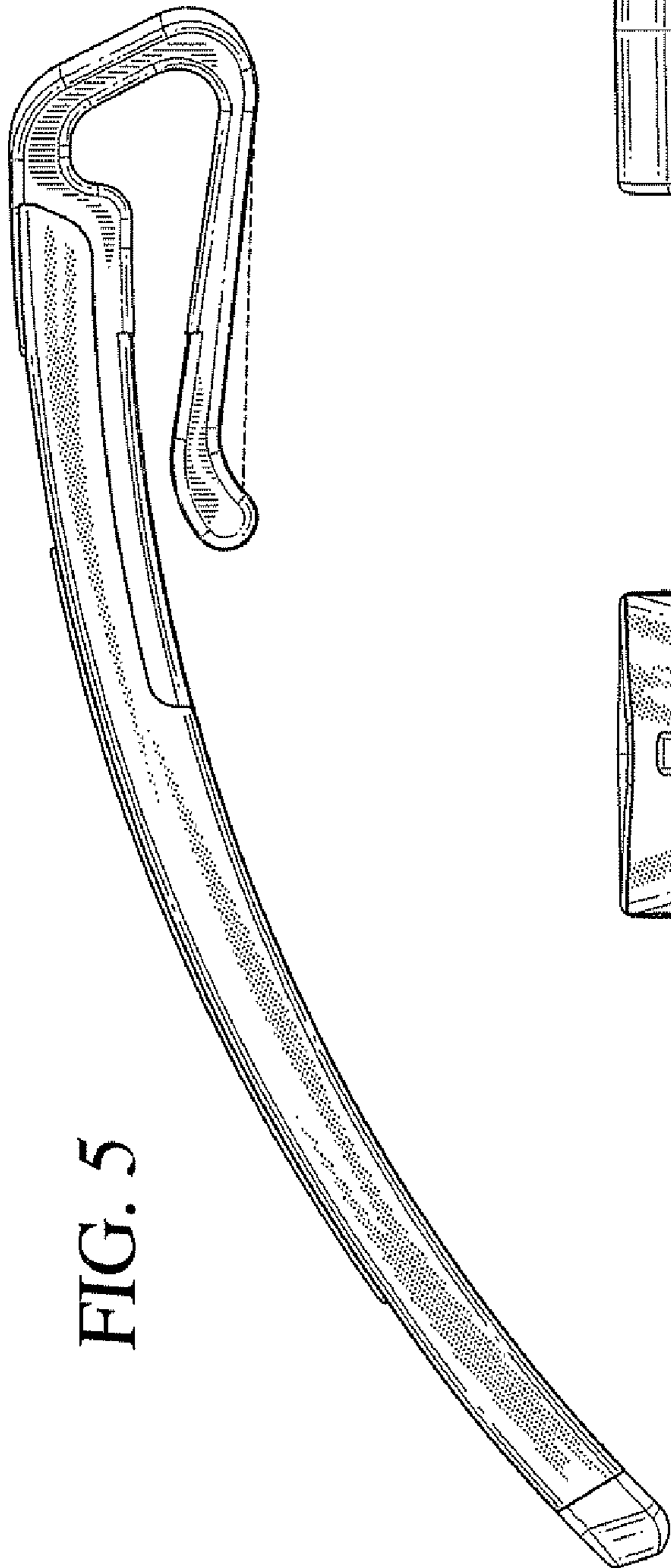


FIG. 5

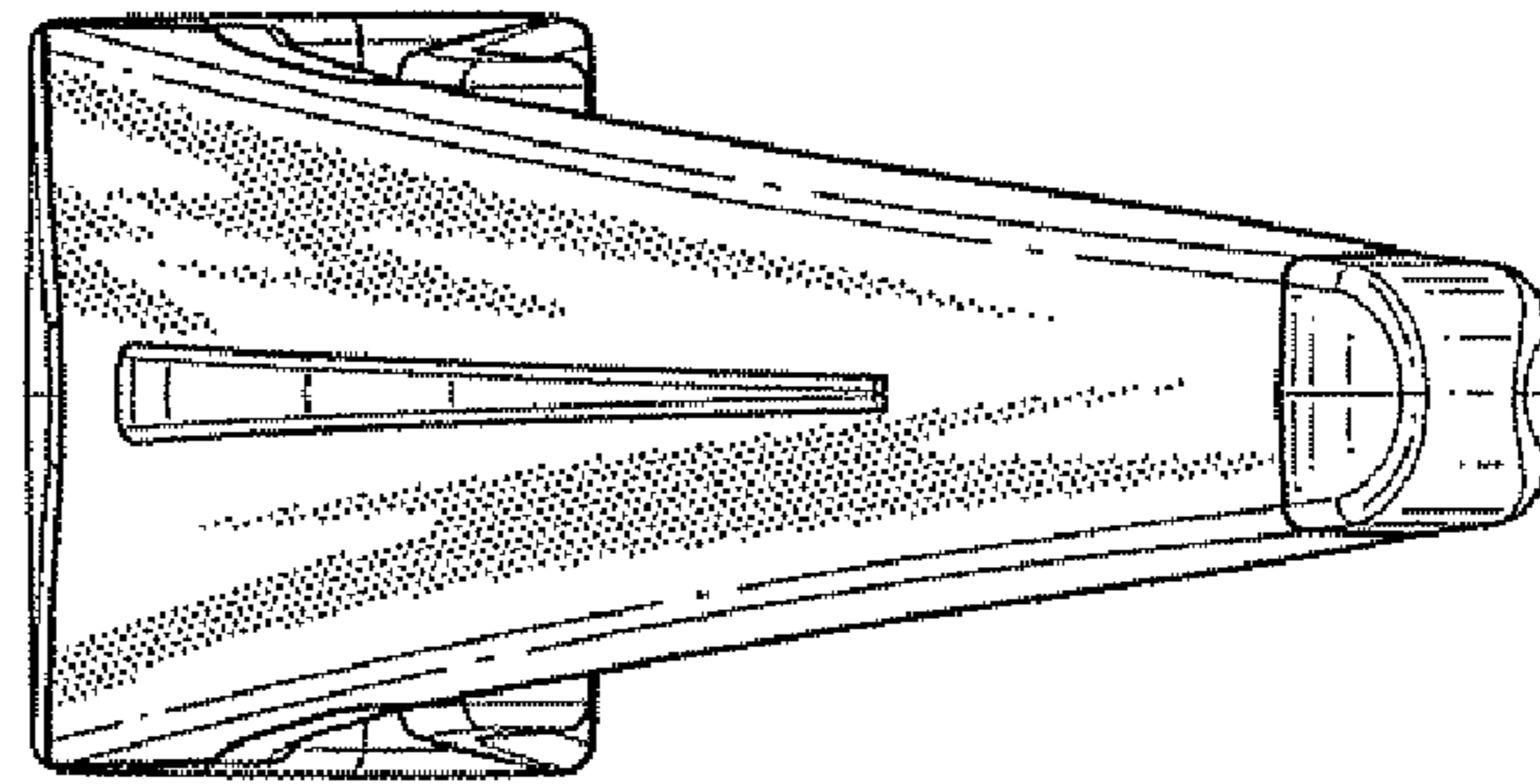


FIG. 6

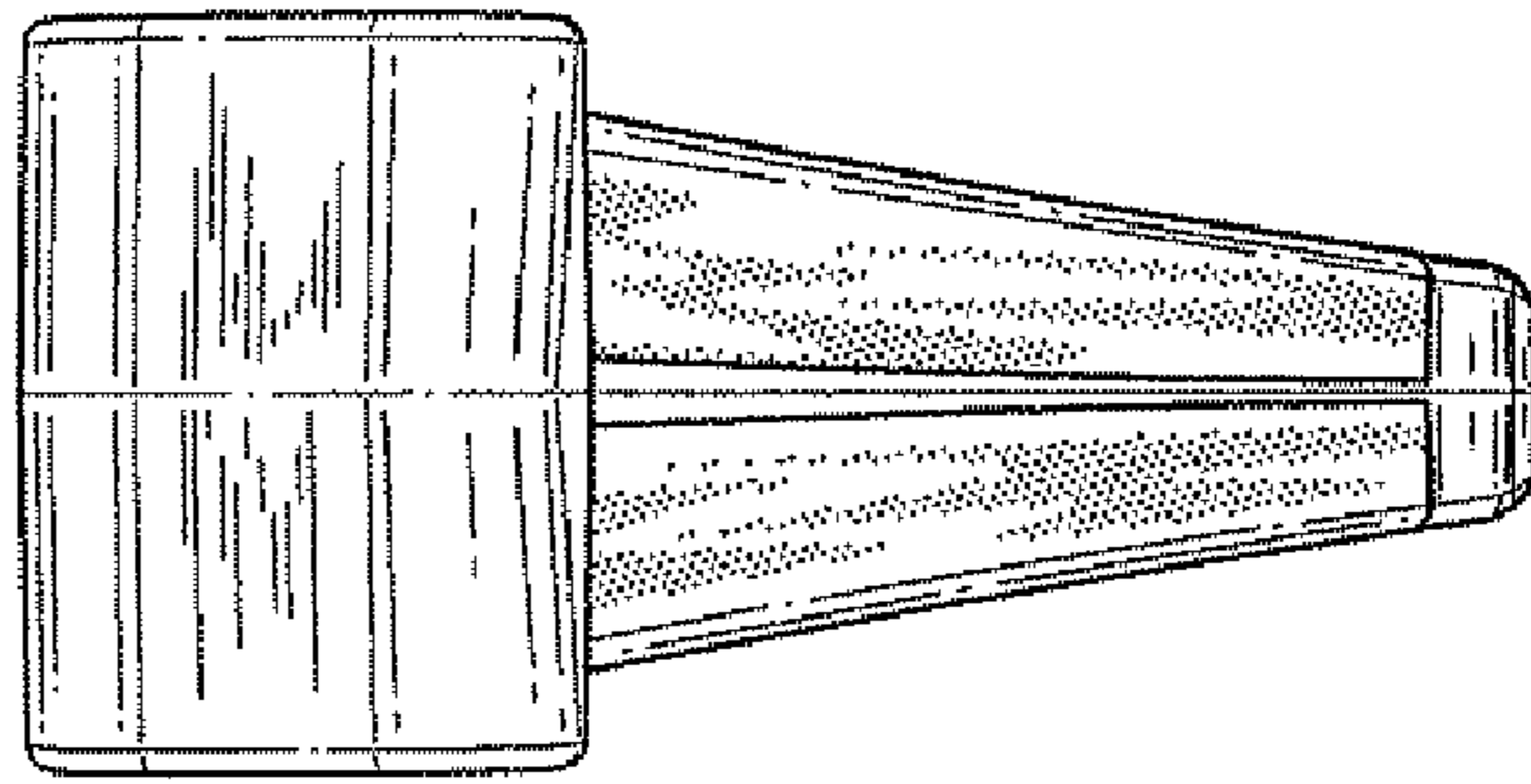


FIG. 7

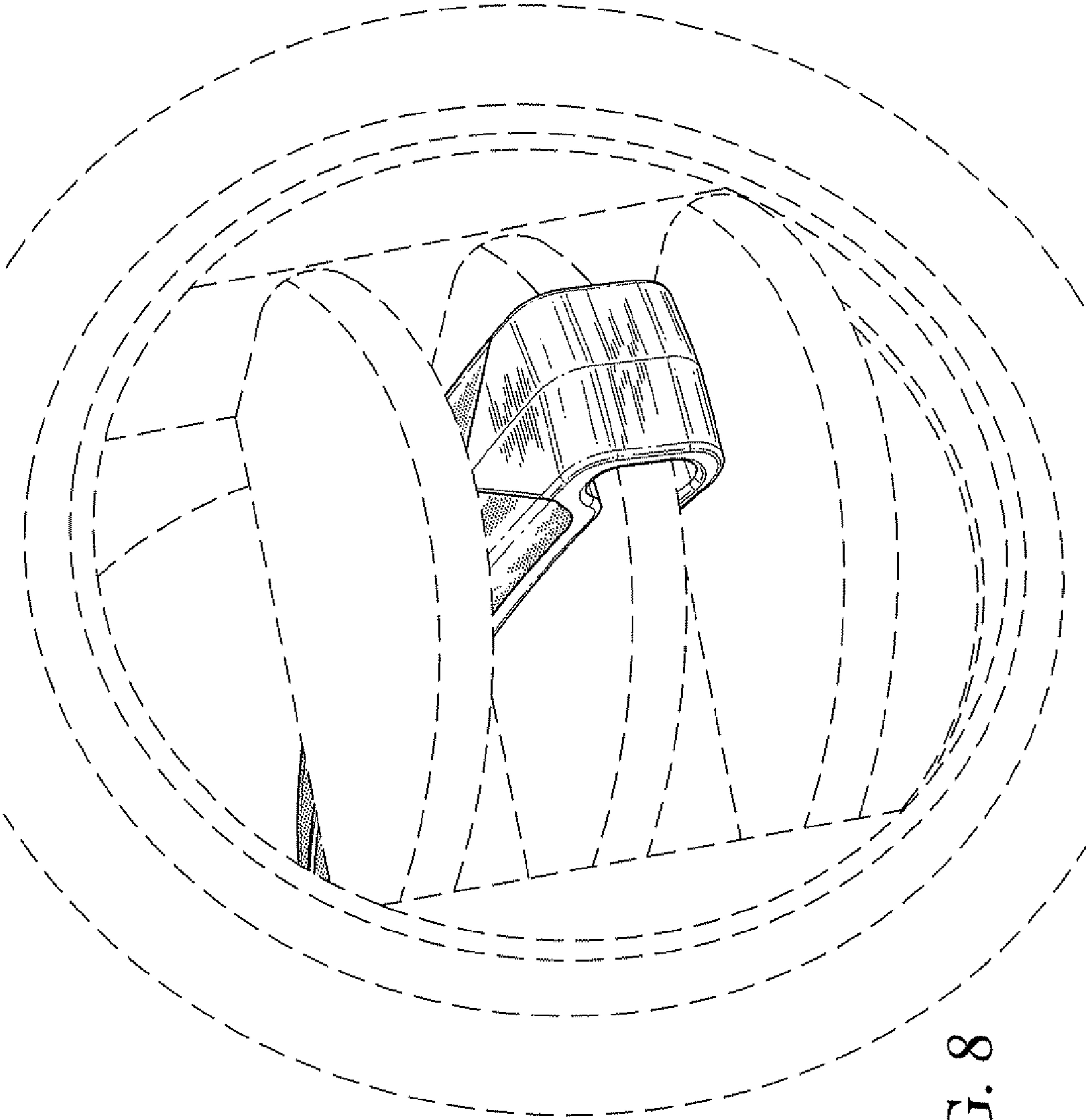


FIG. 8

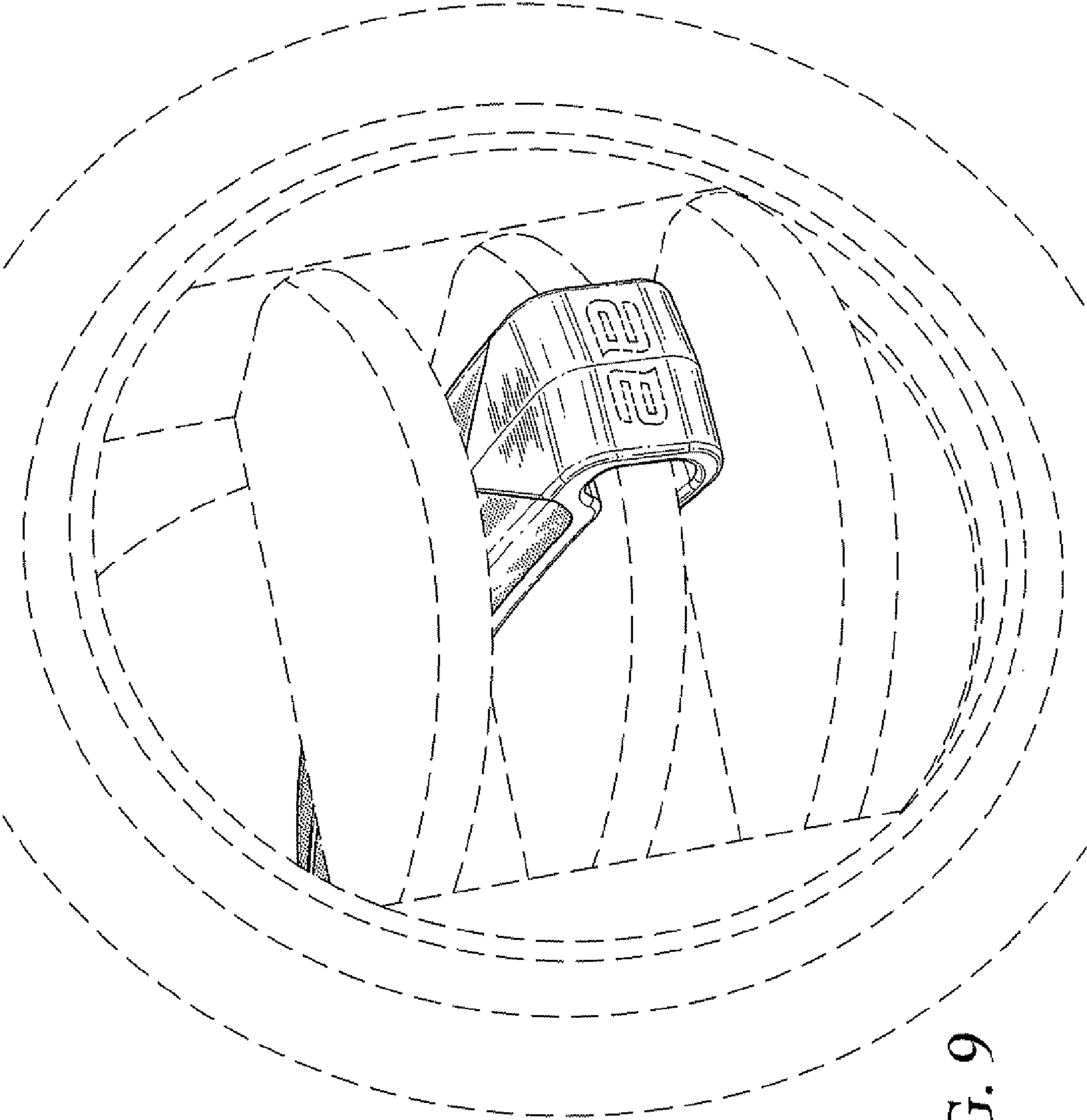


FIG. 9