



US00D604824S

(12) **United States Design Patent**
Paolazzi et al.

(10) **Patent No.:** **US D604,824 S**
(45) **Date of Patent:** **** Nov. 24, 2009**

(54) **DIFFUSING EVAPORATOR OF ACTIVE SUBSTANCES**

(75) Inventors: **Gianluca Paolazzi**, Trento (IT); **Stefano Deflorian**, Trenton (IT)

(73) Assignee: **Zobe Holding SpA**, Trento (IT)

(**) Term: **14 Years**

(21) Appl. No.: **29/331,552**

(22) Filed: **Jan. 28, 2009**

(30) **Foreign Application Priority Data**

Sep. 12, 2008 (EM) 001001671

(51) **LOC (9) Cl.** **28-99**

(52) **U.S. Cl.** **D23/366**

(58) **Field of Classification Search** D23/355-369;
261/DIG. 17, DIG. 42, DIG. 65, DIG. 88,
261/DIG. 89; 239/34-36, 44-45, 53-54,
239/56-57, 60, 136, 152, 302, 326; 392/386,
392/390, 392, 394, 395; D28/5, 6
See application file for complete search history.

(56) **References Cited**

U.S. PATENT DOCUMENTS

D546,434 S * 7/2007 Barraclough D23/366
D561,882 S * 2/2008 Kennedy et al. D23/366
D561,884 S * 2/2008 Furner et al. D23/366
D582,537 S * 12/2008 Kay et al. D23/366

D583,038 S * 12/2008 Kay et al. D23/366
D583,039 S * 12/2008 Kay et al. D23/366
D583,453 S * 12/2008 Kay et al. D23/366
D583,454 S * 12/2008 Kay et al. D23/366
D583,455 S * 12/2008 Kay et al. D23/366
D583,457 S * 12/2008 Kay et al. D23/366
D583,921 S * 12/2008 Kay et al. D23/366

* cited by examiner

Primary Examiner—Sandra Snapp

(74) *Attorney, Agent, or Firm*—Albert Bordas, P.A.

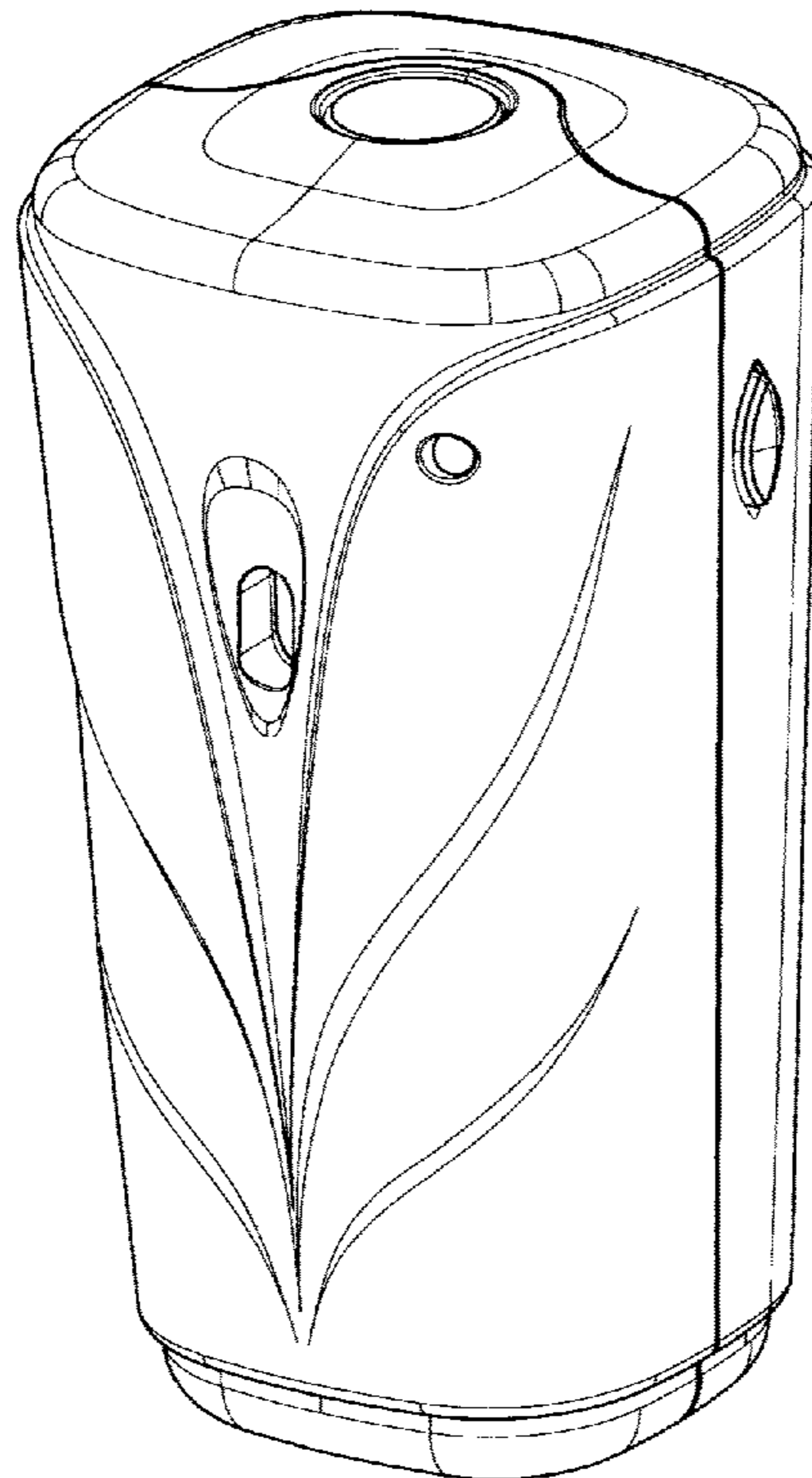
(57) **CLAIM**

The ornamental design for diffusing evaporator of active substances, as shown and described.

DESCRIPTION

FIG. 1 is a front isometric view of a diffusing evaporator of active substances, seen from the top;
FIG. 2 is a front isometric view thereof, seen from the bottom;
FIG. 3 is a back isometric view thereof;
FIG. 4 is a front elevational view thereof;
FIG. 5 is a left side elevational view thereof;
FIG. 6 is a top plan view thereof;
FIG. 7 is a right side elevational view thereof;
FIG. 8 is a rear elevational view thereof; and,
FIG. 9 is a bottom plan view thereof.

1 Claim, 9 Drawing Sheets



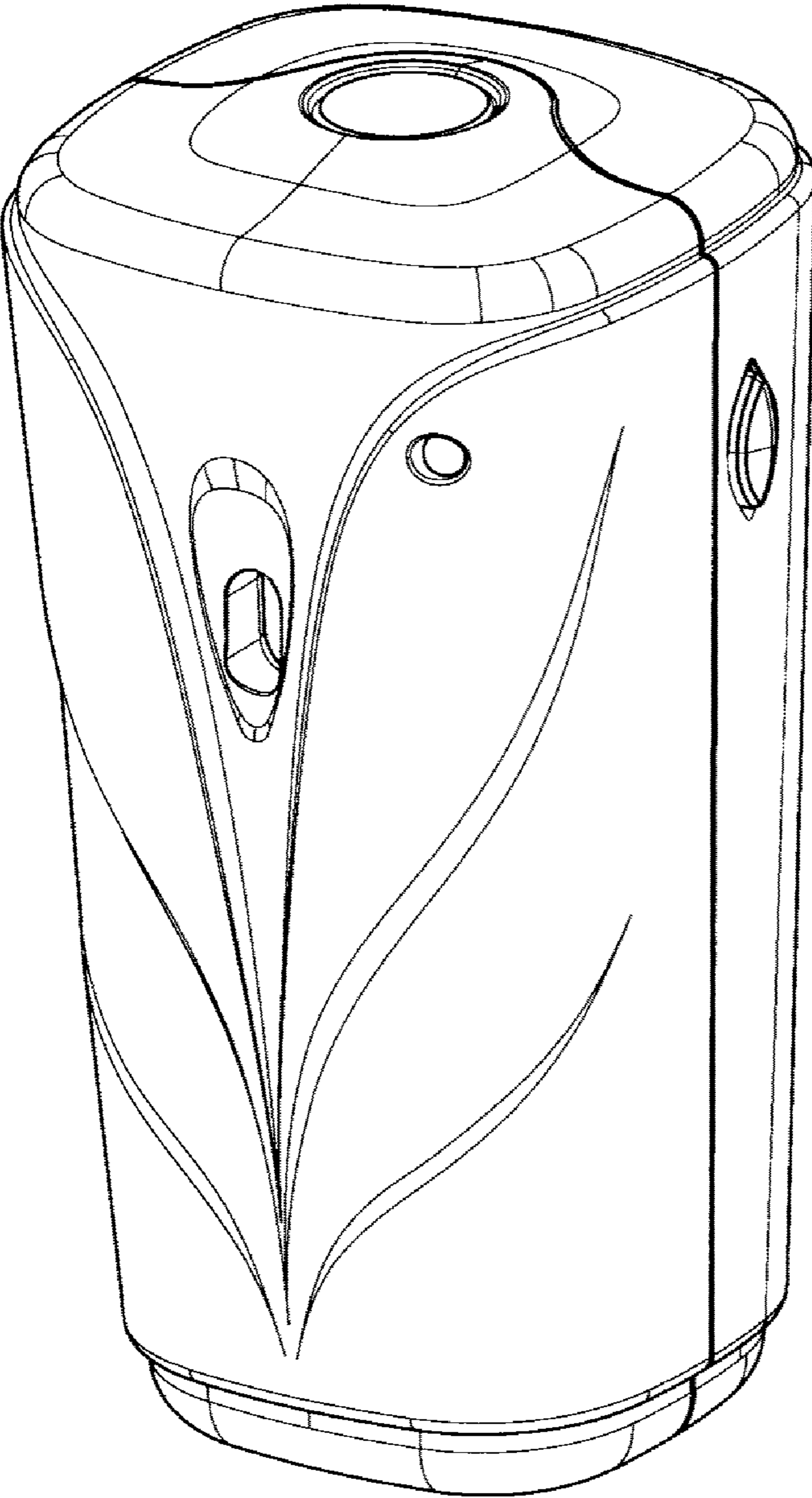


FIG. 1

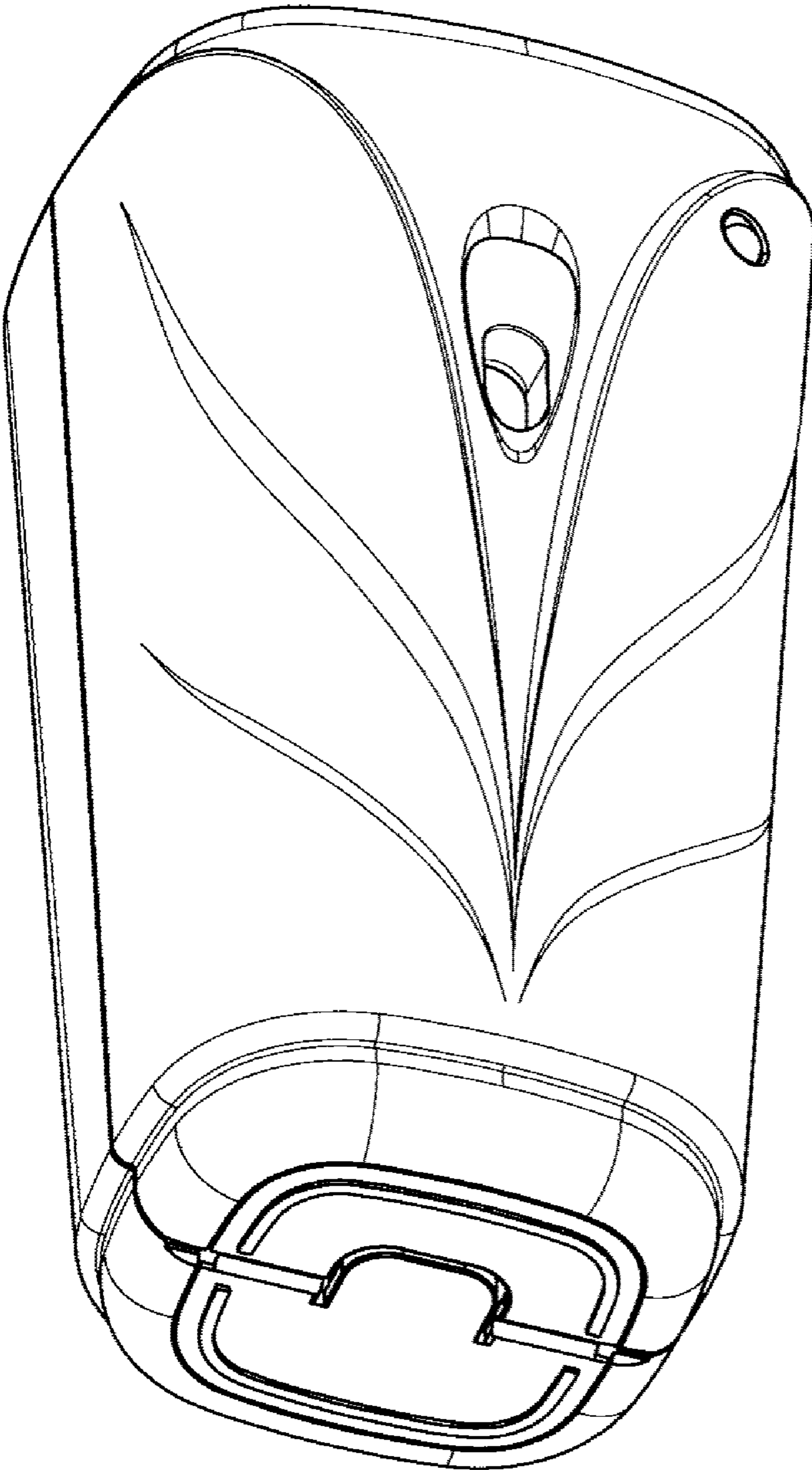


FIG. 2

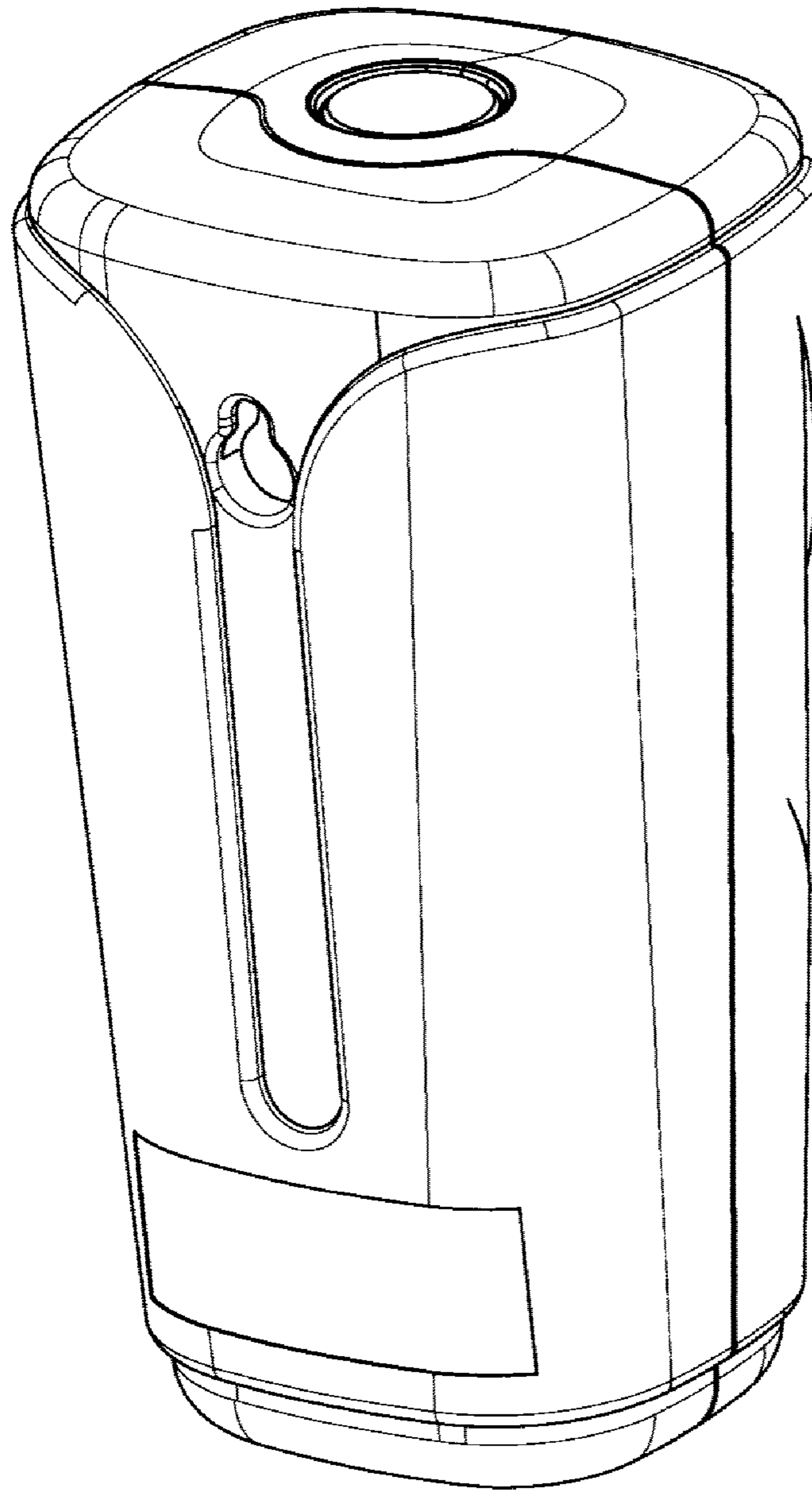


FIG. 3

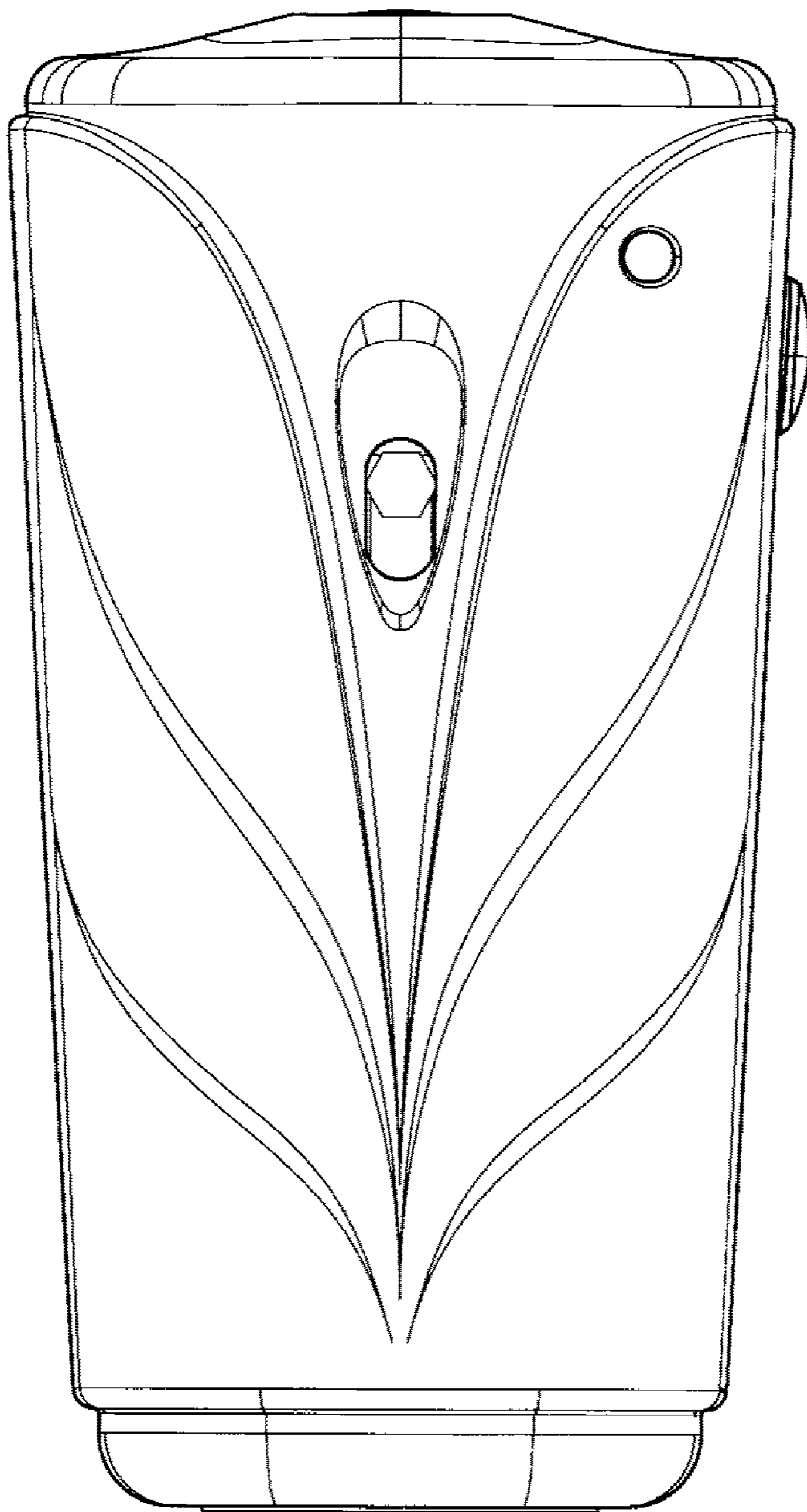


FIG. 4

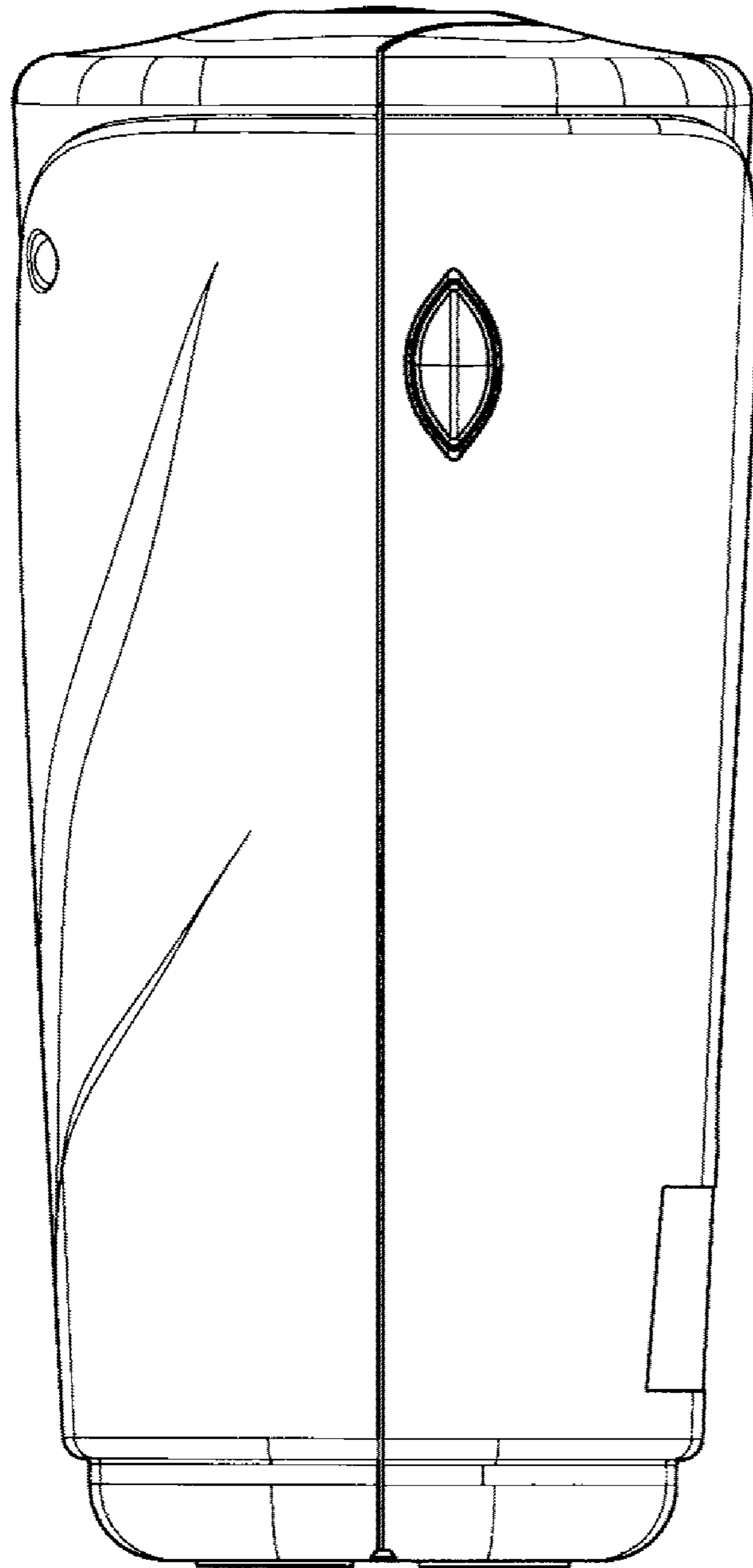


FIG. 5

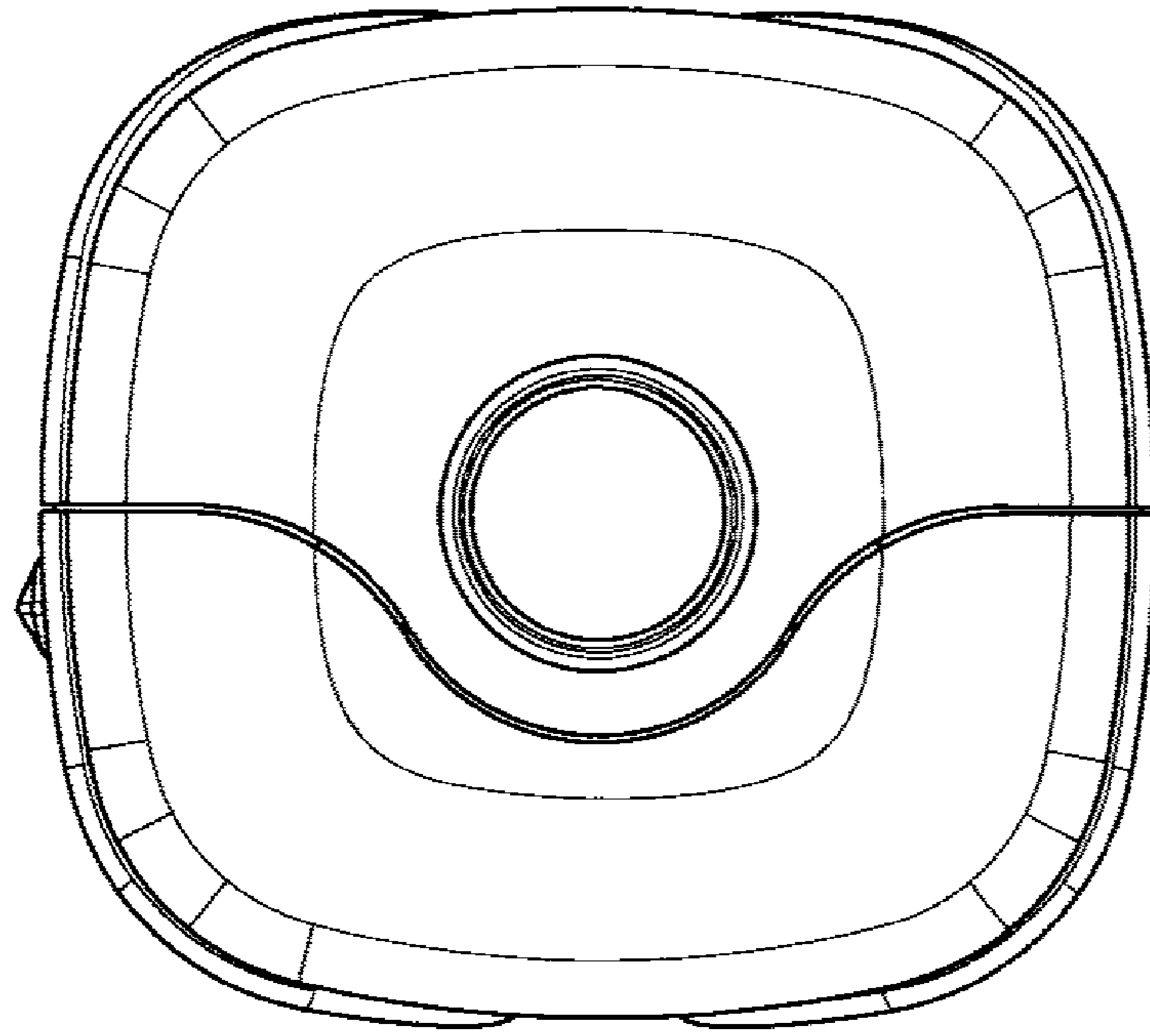


FIG. 6

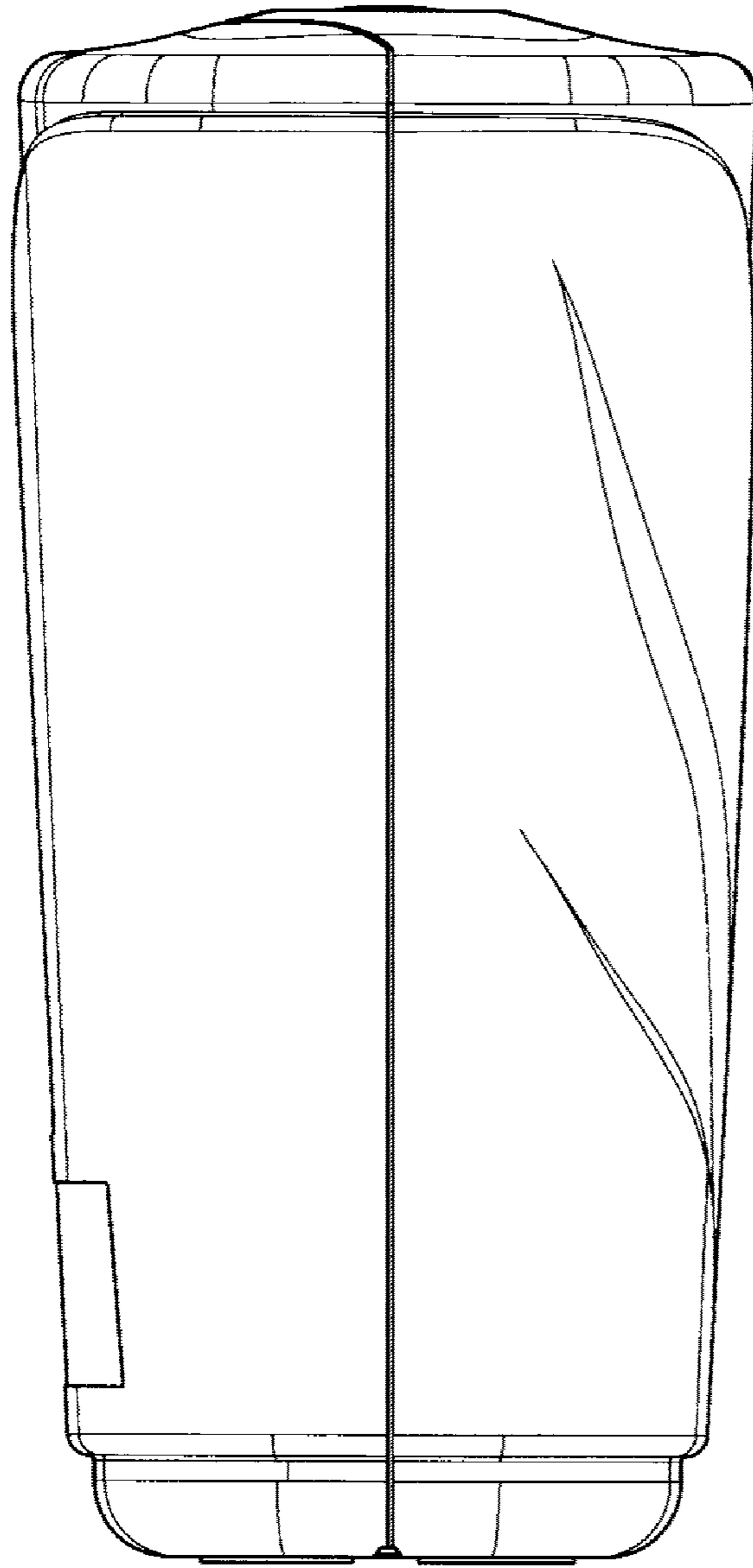


FIG. 7

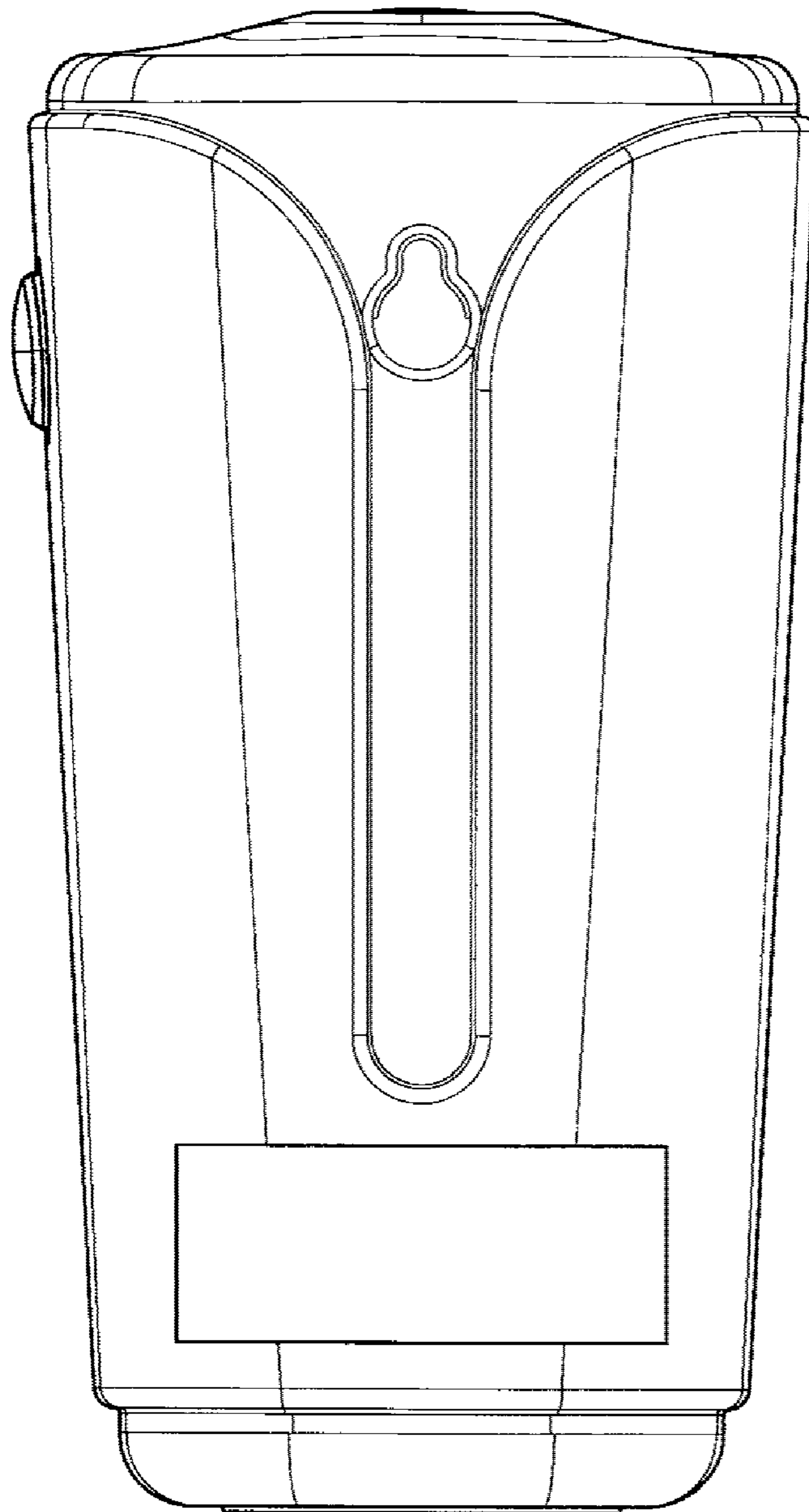


FIG. 8

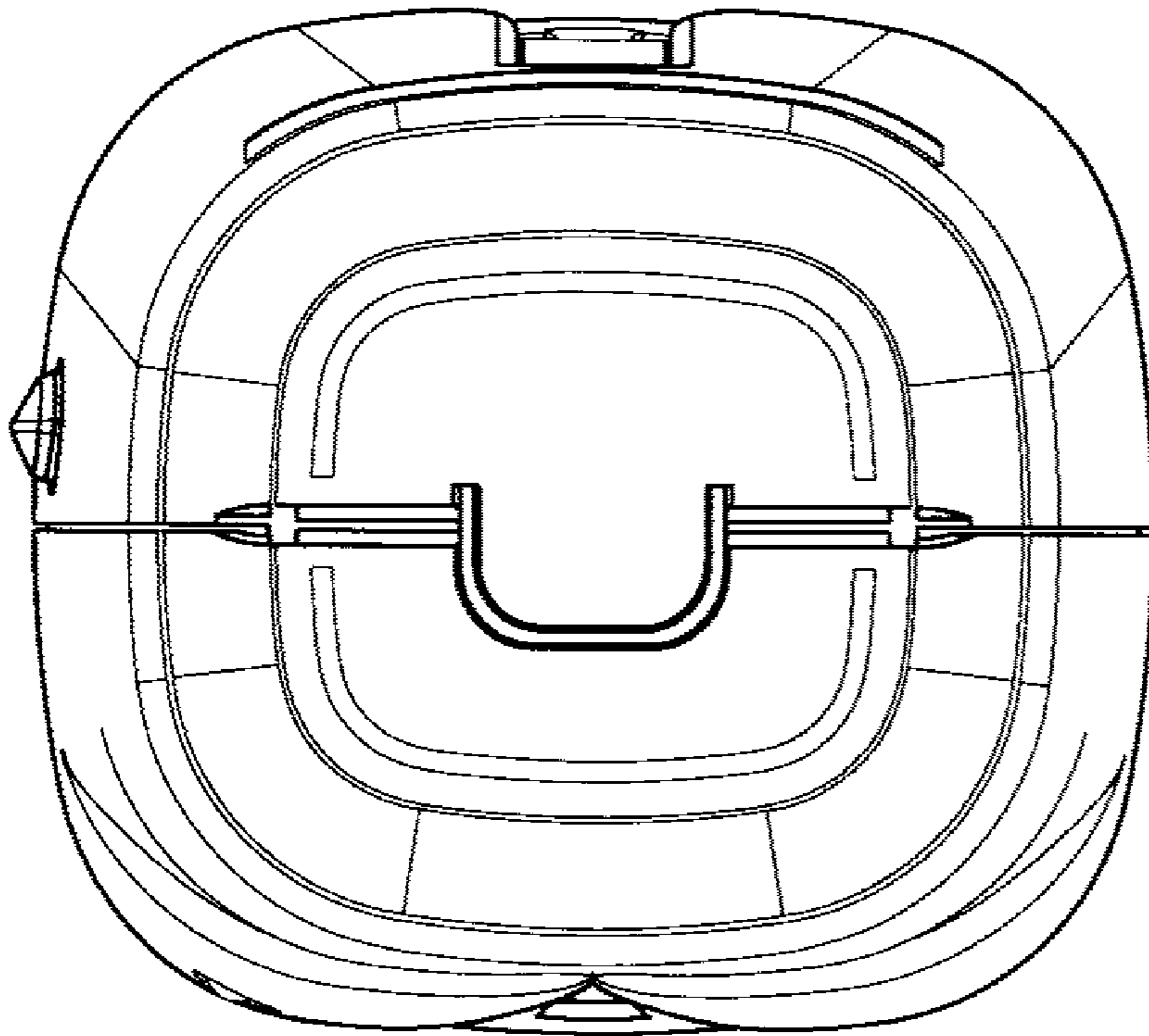


FIG. 9