



US00D604823S

(12) **United States Design Patent**
Schwartz et al.

(10) **Patent No.:** **US D604,823 S**

(45) **Date of Patent:** **** Nov. 24, 2009**

(54) **AIR FRESHENER**

(75) Inventors: **Keara Elyse Schwartz**, Cincinnati, OH (US); **Ada Ho Yau Ko**, Cincinnati, OH (US); **Karson Isaiah Shadley**, San Francisco, CA (US); **Shujan Sung**, San Francisco, CA (US); **Norio Fujikawa**, San Francisco, CA (US)

(73) Assignee: **The Procter & Gamble Company**, Cincinnati, OH (US)

(**) Term: **14 Years**

(21) Appl. No.: **29/330,650**

(22) Filed: **Jan. 12, 2009**

(51) **LOC (9) Cl.** **28-99**

(52) **U.S. Cl.** **D23/366**

(58) **Field of Classification Search** D23/355-369;
261/DIG. 17, DIG. 42, DIG. 65, DIG. 88,
261/DIG. 89; 239/34-36, 44-45, 53-54,
239/56-57, 60, 136, 152, 302, 326; 392/386,
392/390, 392, 394, 395; D28/5, 6

See application file for complete search history.

(56) **References Cited**

U.S. PATENT DOCUMENTS

D357,330 S *	4/1995	Wong et al.	D26/51
D381,410 S *	7/1997	Muller et al.	D23/366
D395,146 S *	6/1998	Miller et al.	D23/364
D401,316 S *	11/1998	Allen et al.	D23/356
D510,422 S *	10/2005	Schriner et al.	D23/366
D544,087 S *	6/2007	Baraky et al.	D23/366
D550,825 S *	9/2007	McNeely et al.	D23/364
D568,455 S *	5/2008	Friedman et al.	D23/366
2008/0253755 A1 *	10/2008	Smith et al.	392/386

* cited by examiner

Primary Examiner—Sandra Snapp

(74) *Attorney, Agent, or Firm*—Amy I. Ahn-Roll

(57) **CLAIM**

The ornamental design for an air freshener, as shown and described.

DESCRIPTION

FIG. 1 is a perspective view of a first embodiment of an air freshener in a first, exploded position according to the present invention;

FIG. 2 is a perspective view of the air freshener of FIG. 1 in a second position according to the present invention;

FIG. 3 is a front view of the air freshener according to the present invention;

FIG. 4 is a rear view of the air freshener according to the present invention;

FIG. 5 is a left side view of the air freshener according to the present invention;

FIG. 6 is a right side view of the air freshener according to the present invention;

FIG. 7 is a top view of the air freshener according to the present invention;

FIG. 8 is a bottom view of the air freshener according to the present invention;

FIG. 9 is a perspective view of a second embodiment of an air freshener according to the present invention;

FIG. 10 is a front view of the air freshener according to the present invention;

FIG. 11 is a rear view of the air freshener according to the present invention;

FIG. 12 is a left side view of the air freshener according to the present invention;

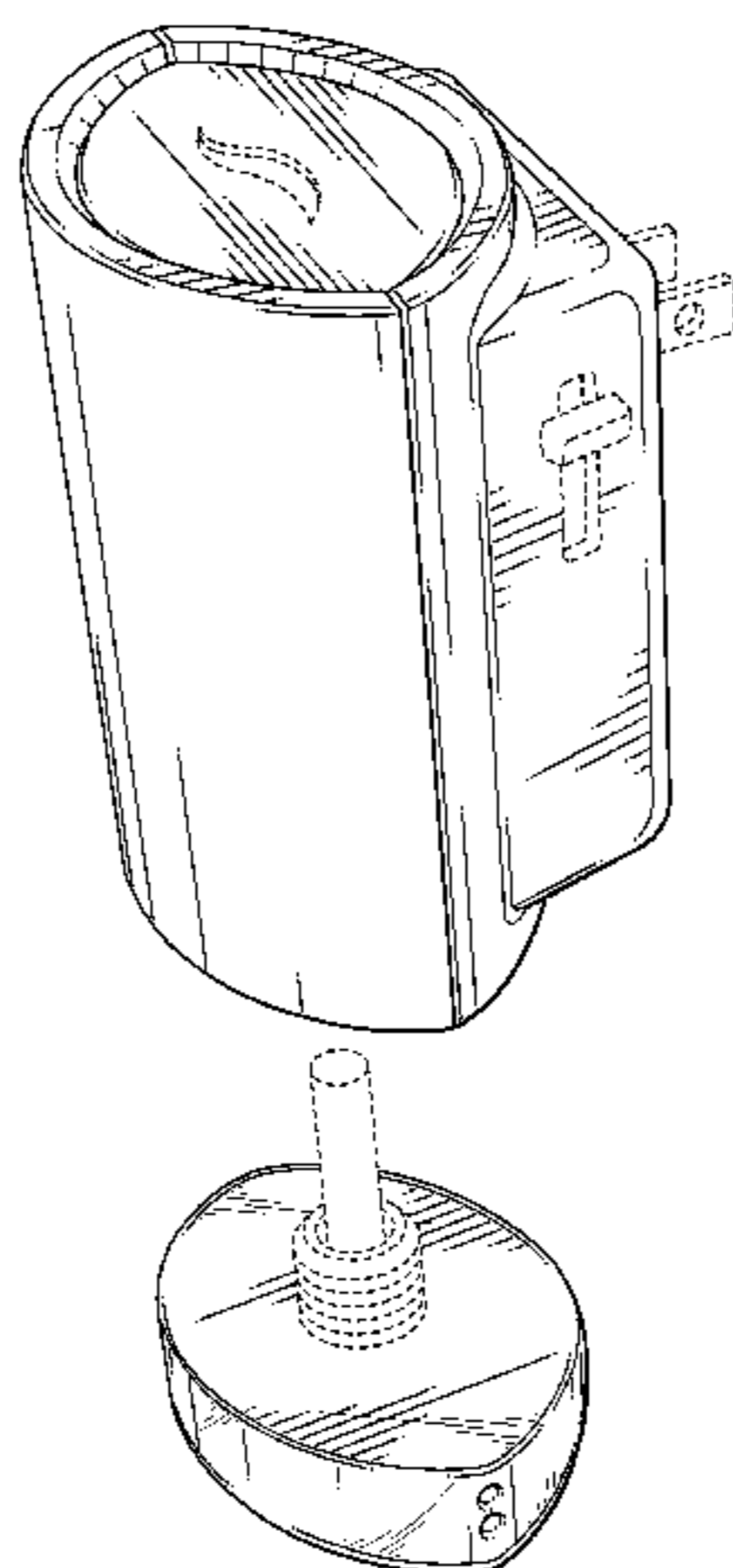
FIG. 13 is a right side view of the air freshener according to the present invention;

FIG. 14 is a top view of the air freshener according to the present invention; and,

FIG. 15 is a bottom view of the air freshener according to the present invention.

The broken lines shown in the drawings are for illustrative purposes only and form no part of the claimed design.

1 Claim, 15 Drawing Sheets



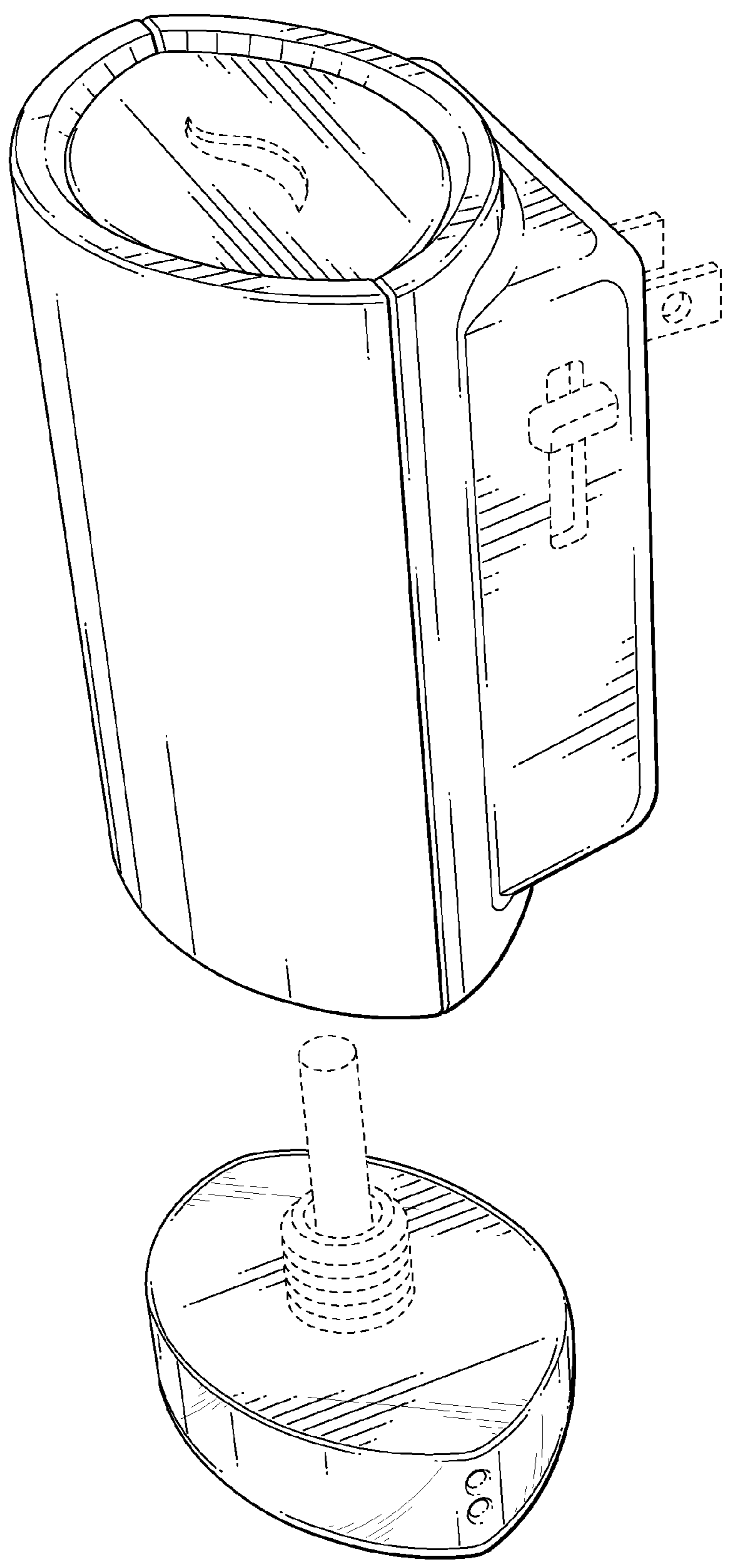


FIG. 1

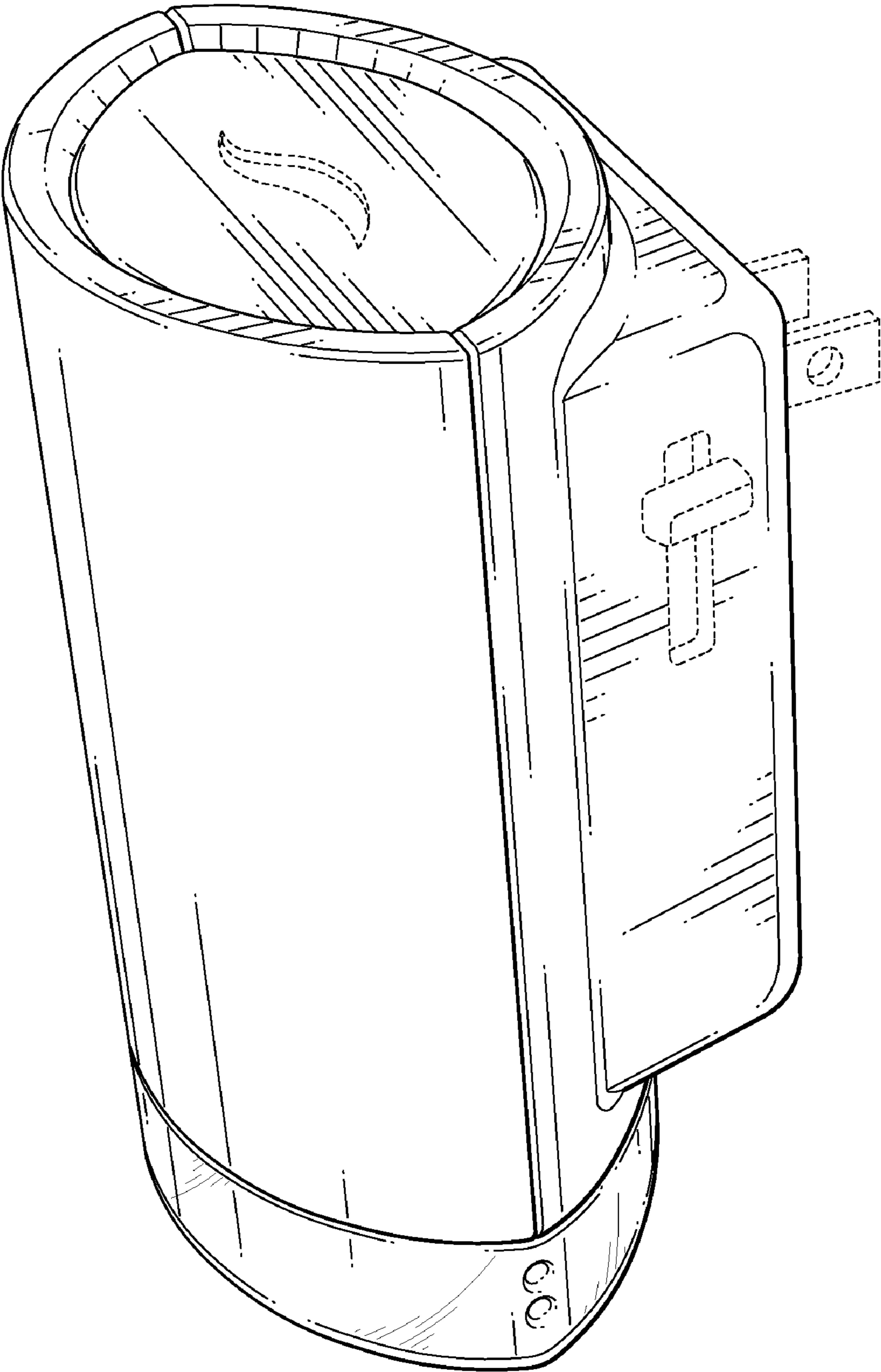


FIG. 2

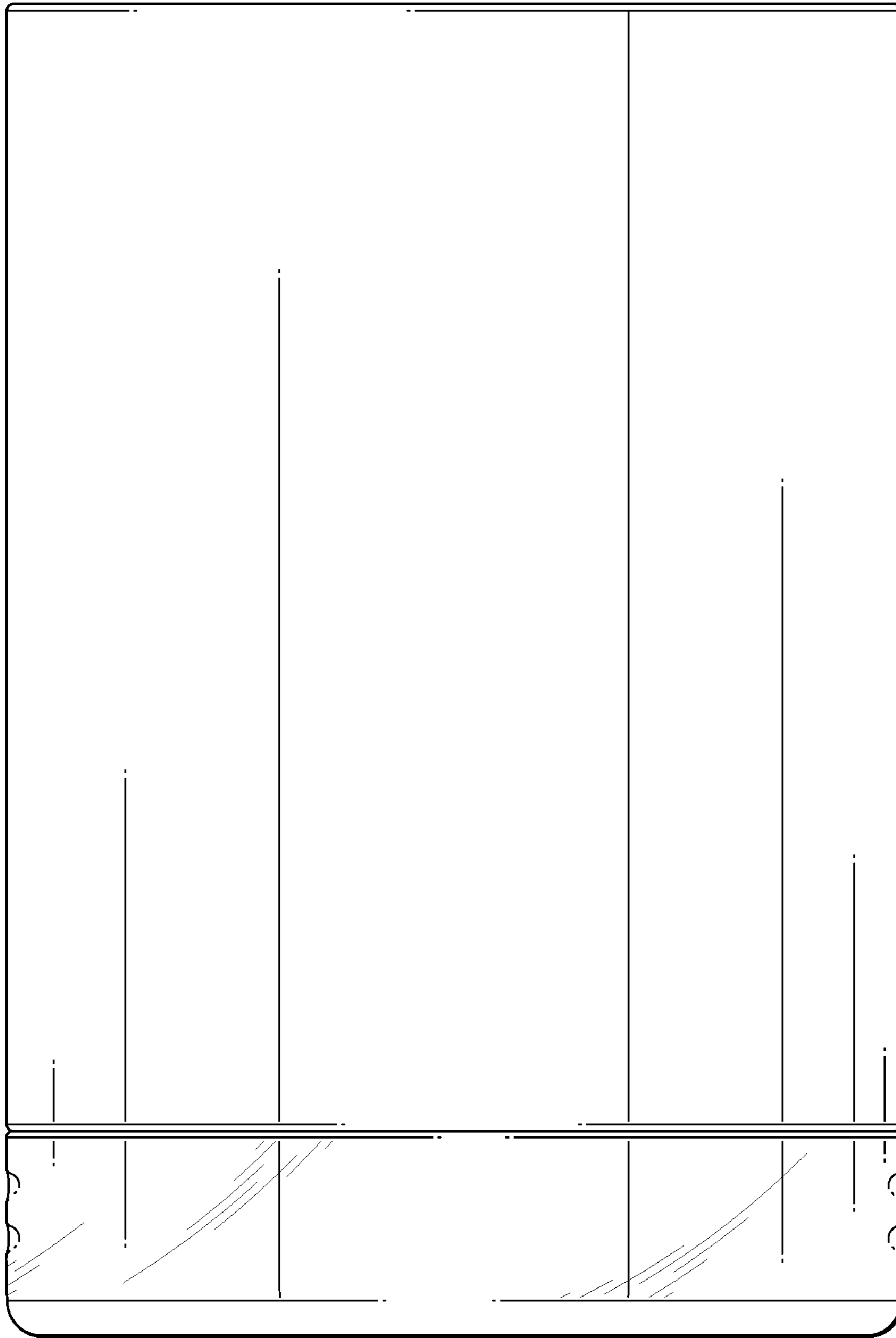


FIG. 3

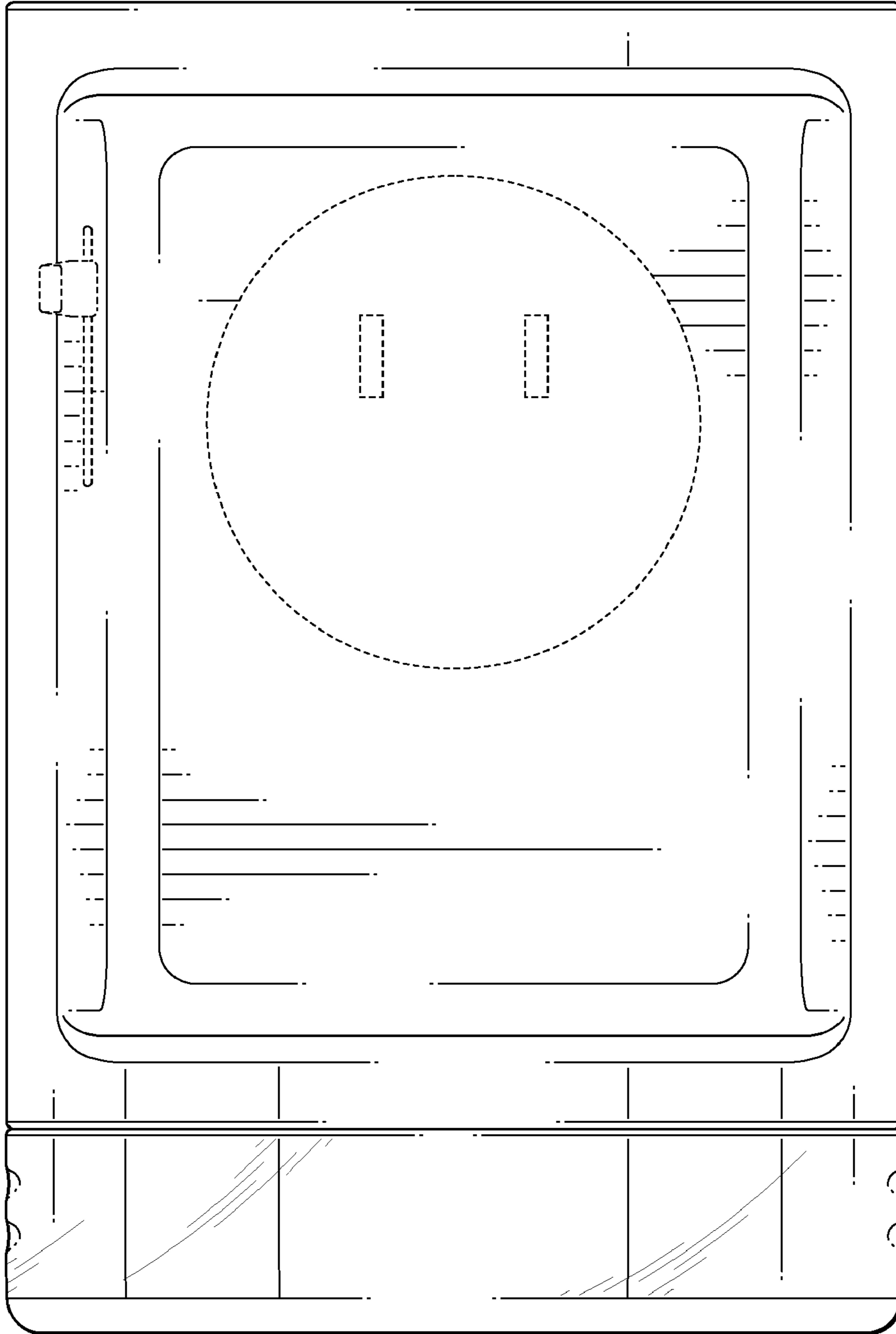


FIG. 4

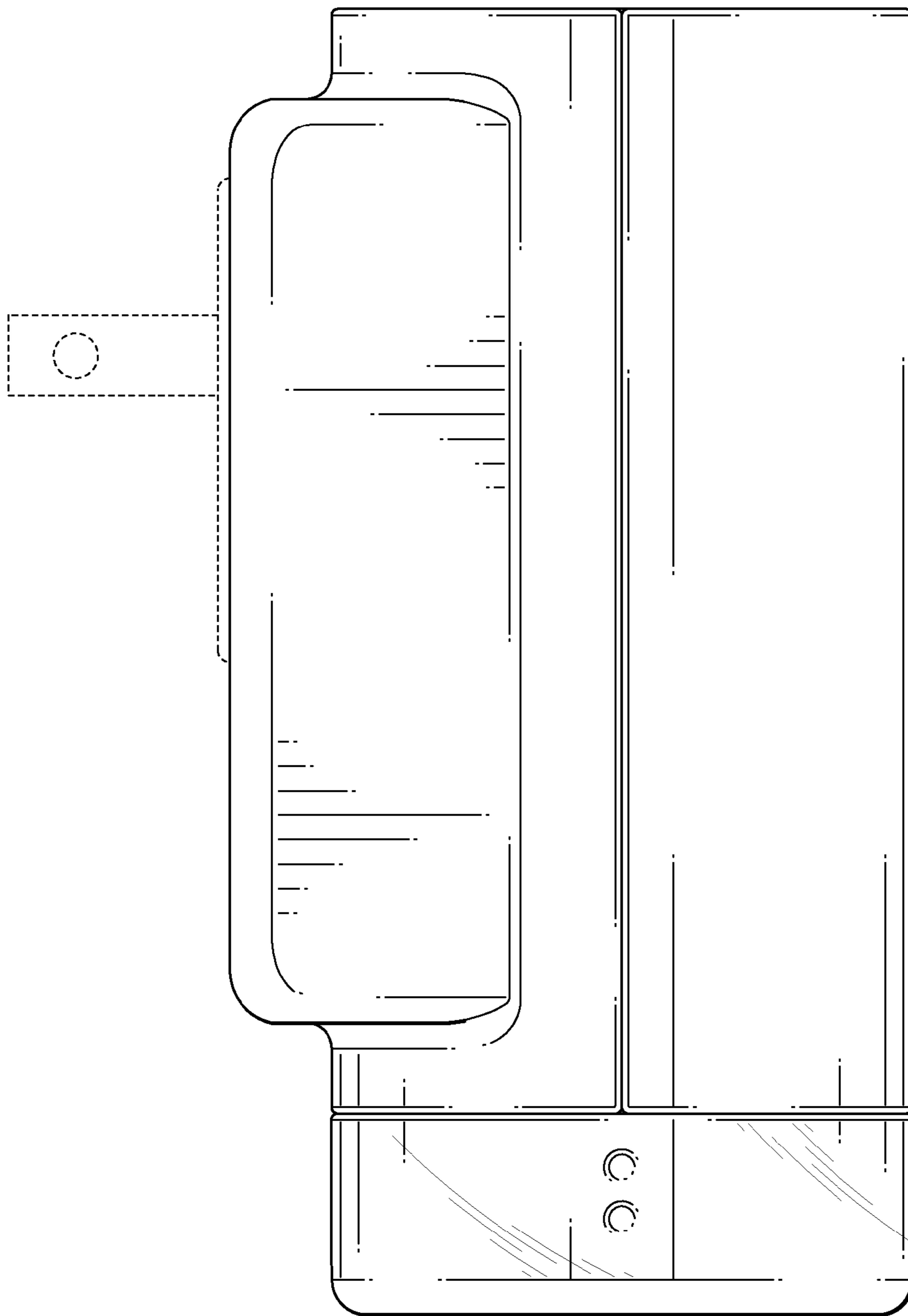


FIG. 5

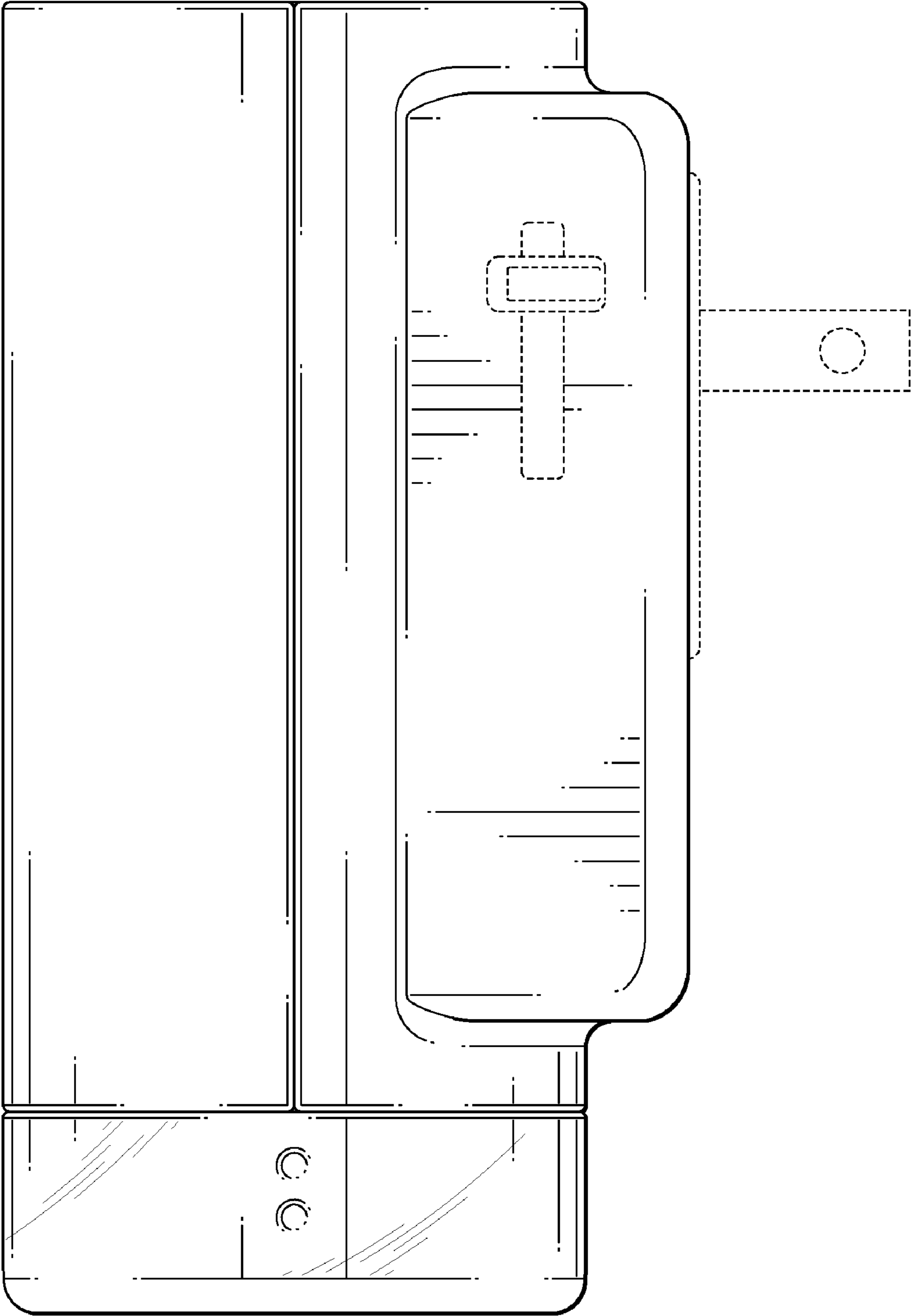


FIG. 6

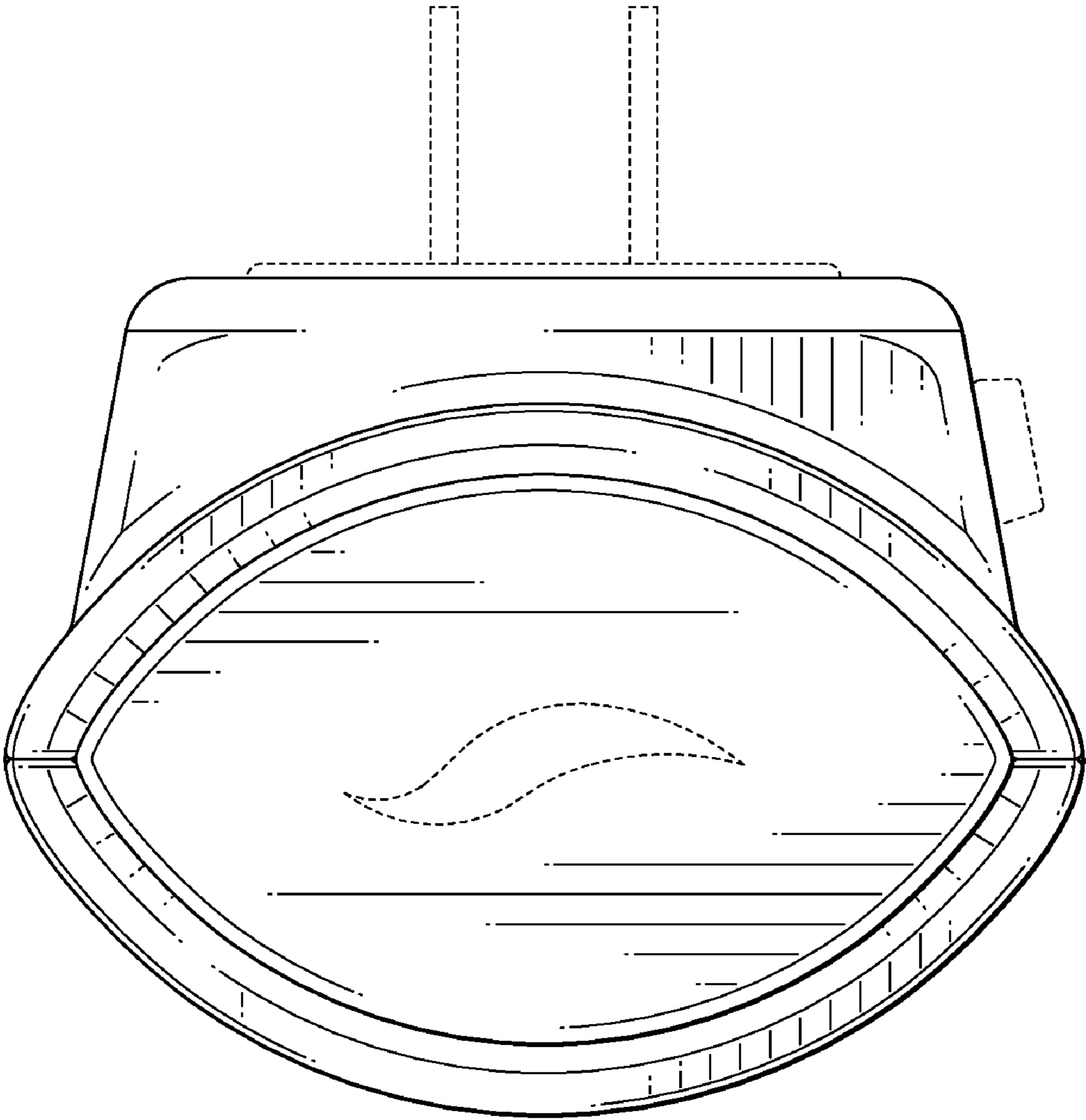


FIG. 7

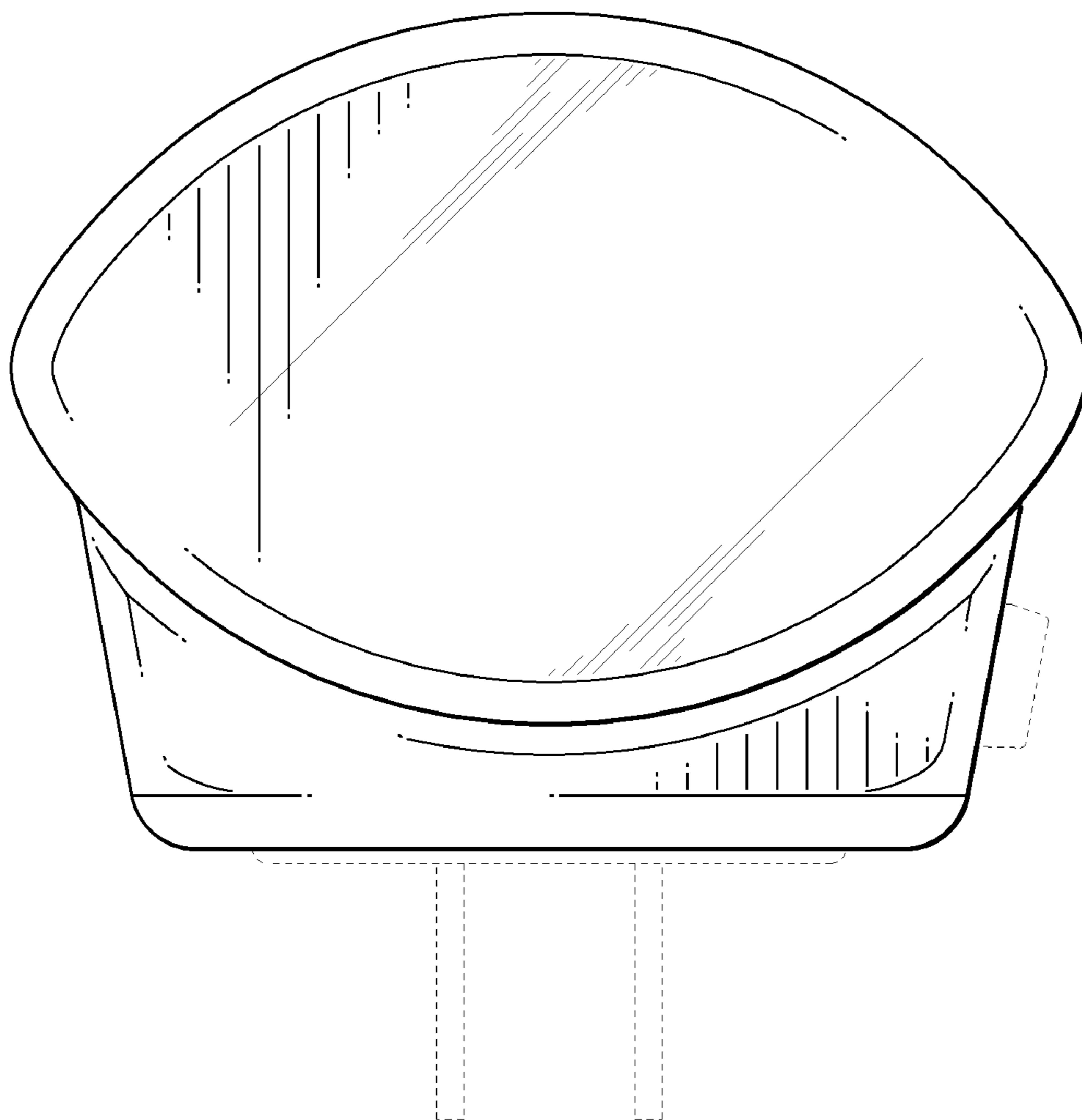


FIG. 8

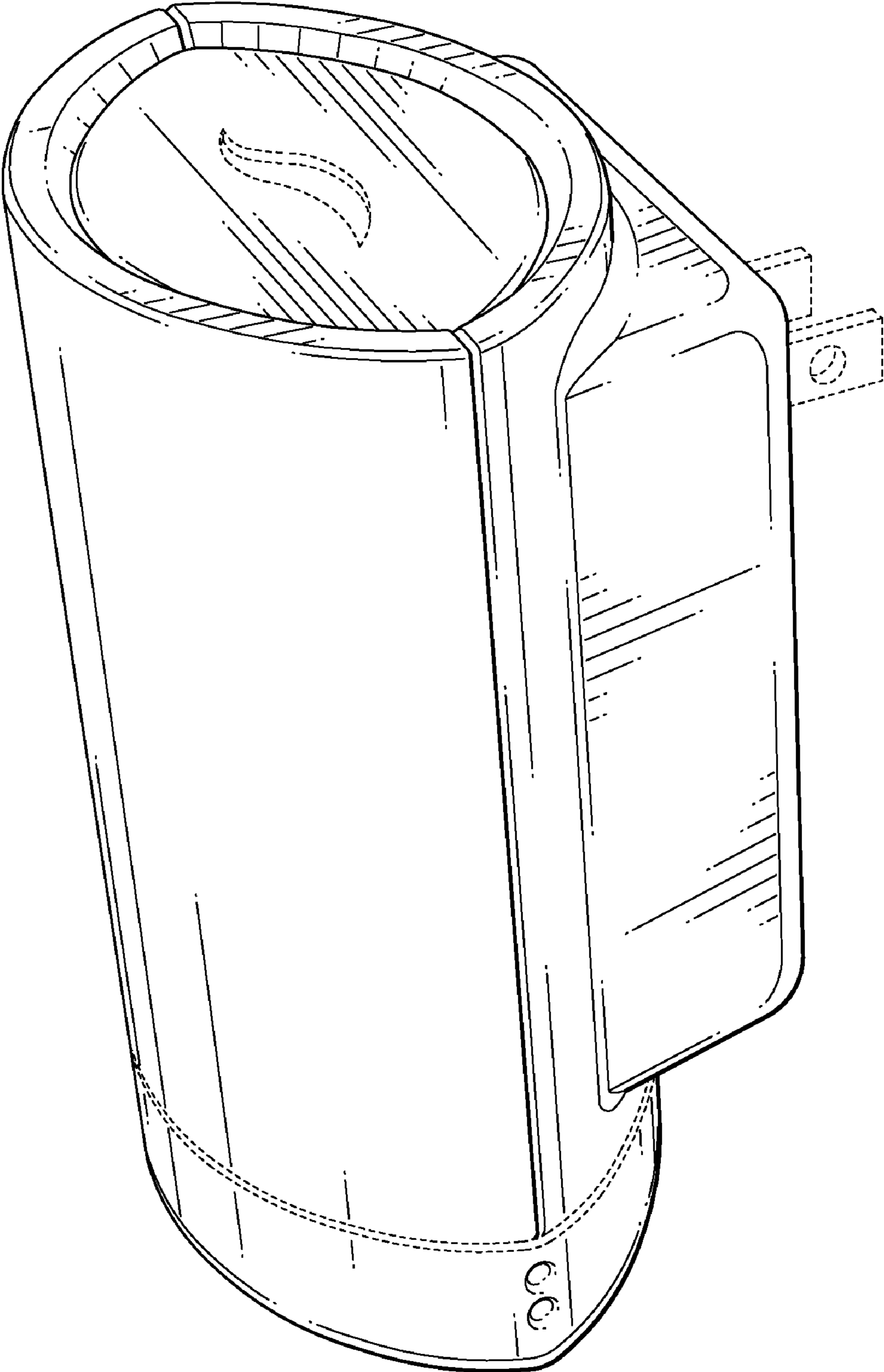


FIG. 9

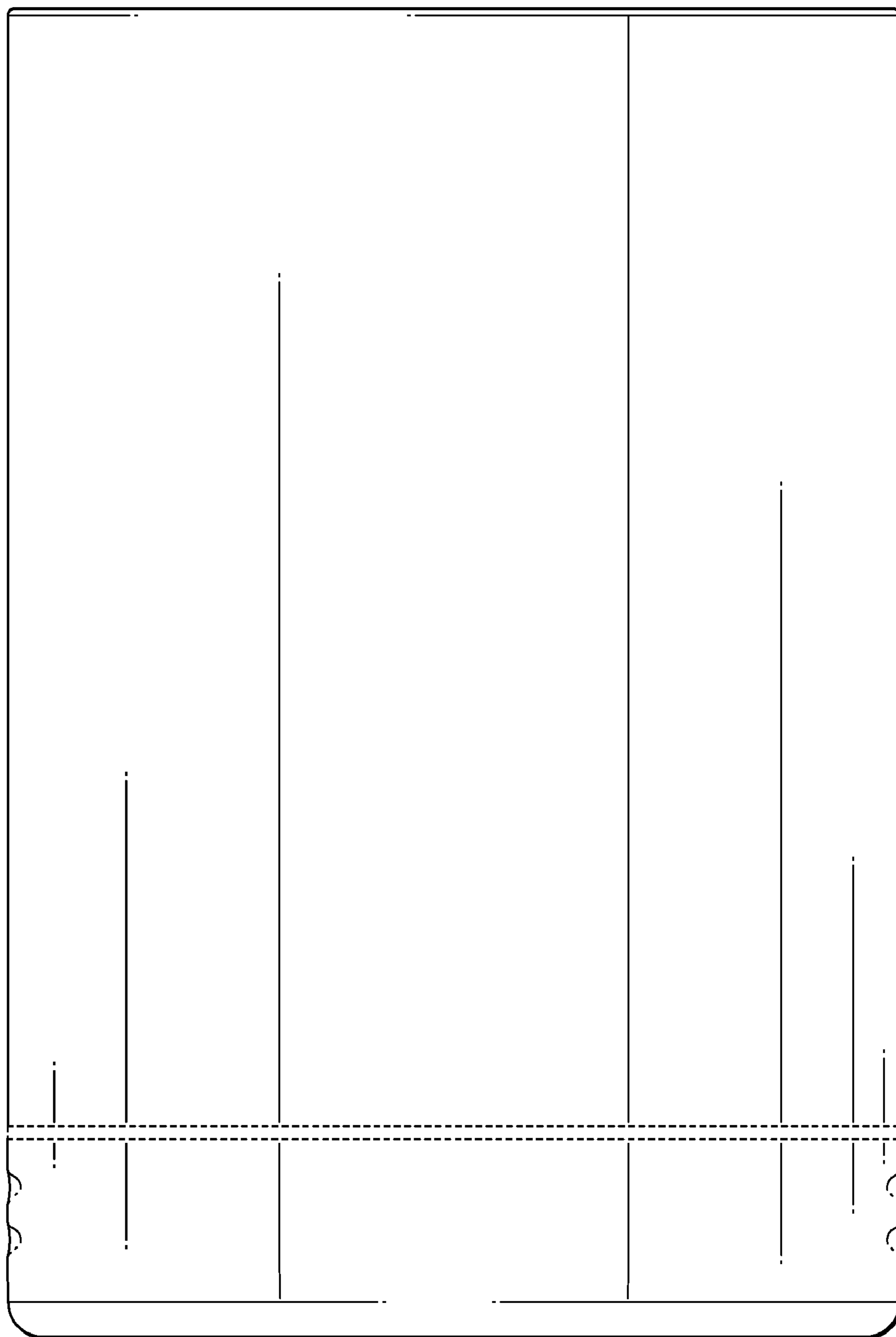


FIG. 10

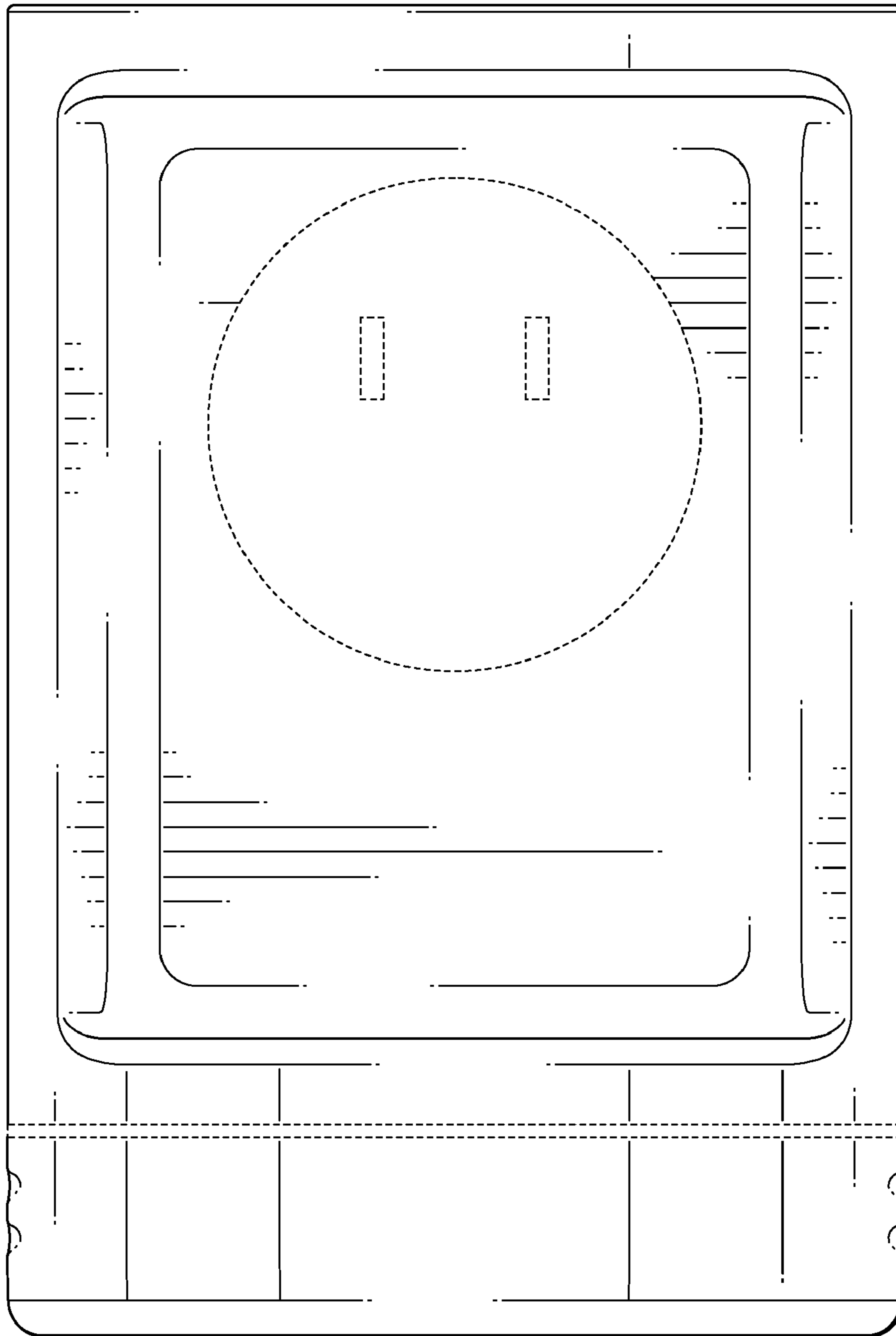


FIG. 11

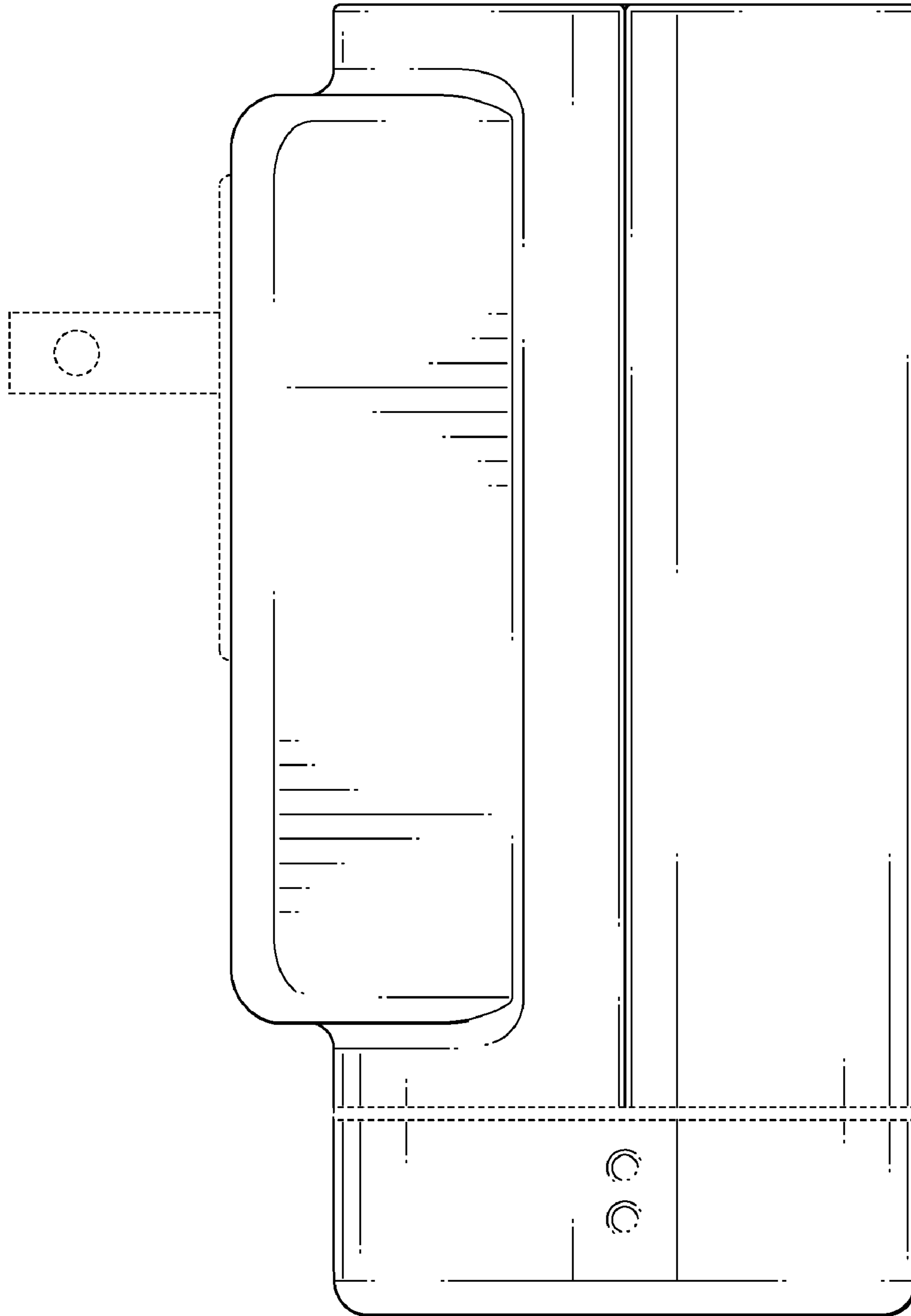


FIG. 12

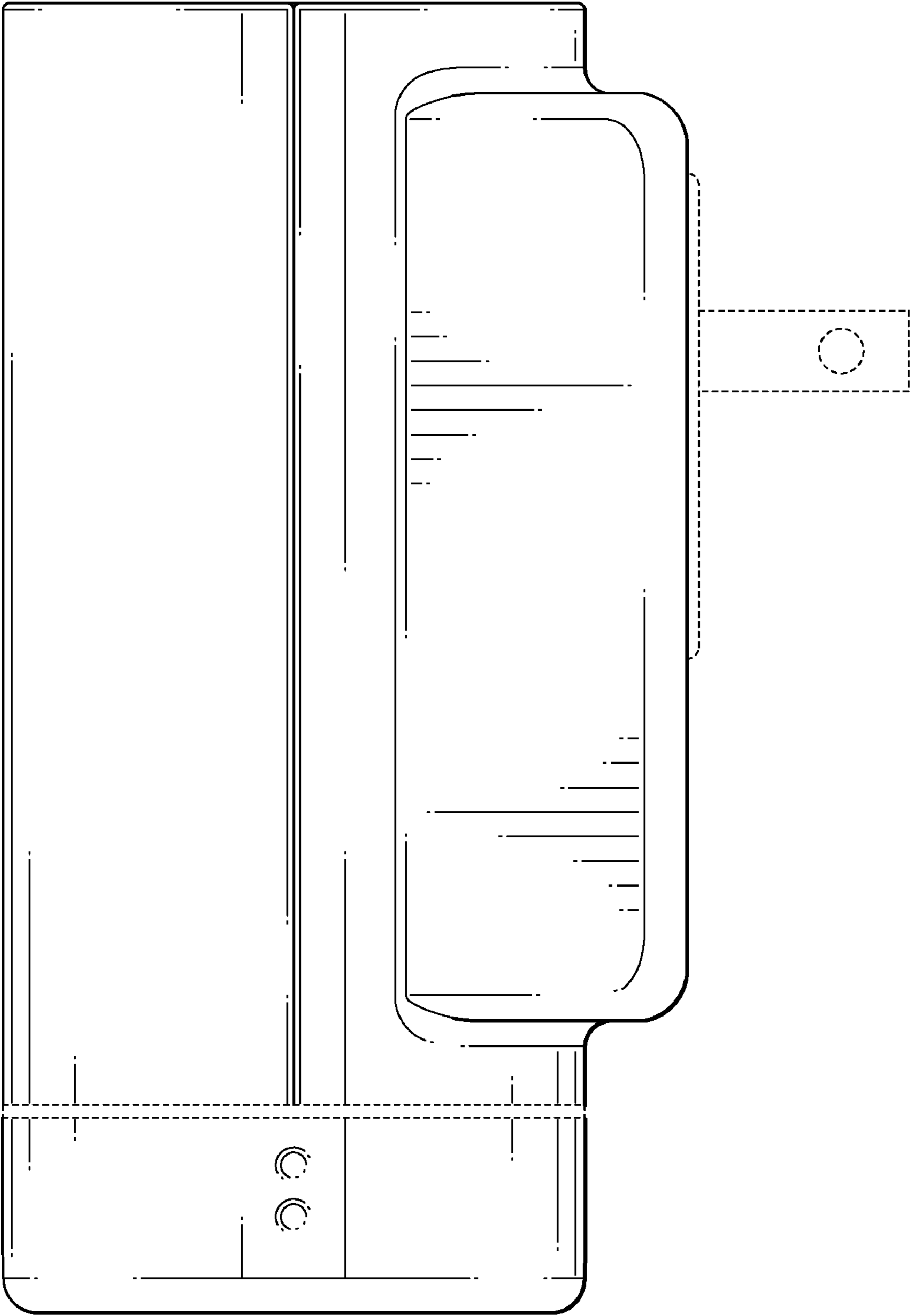


FIG. 13

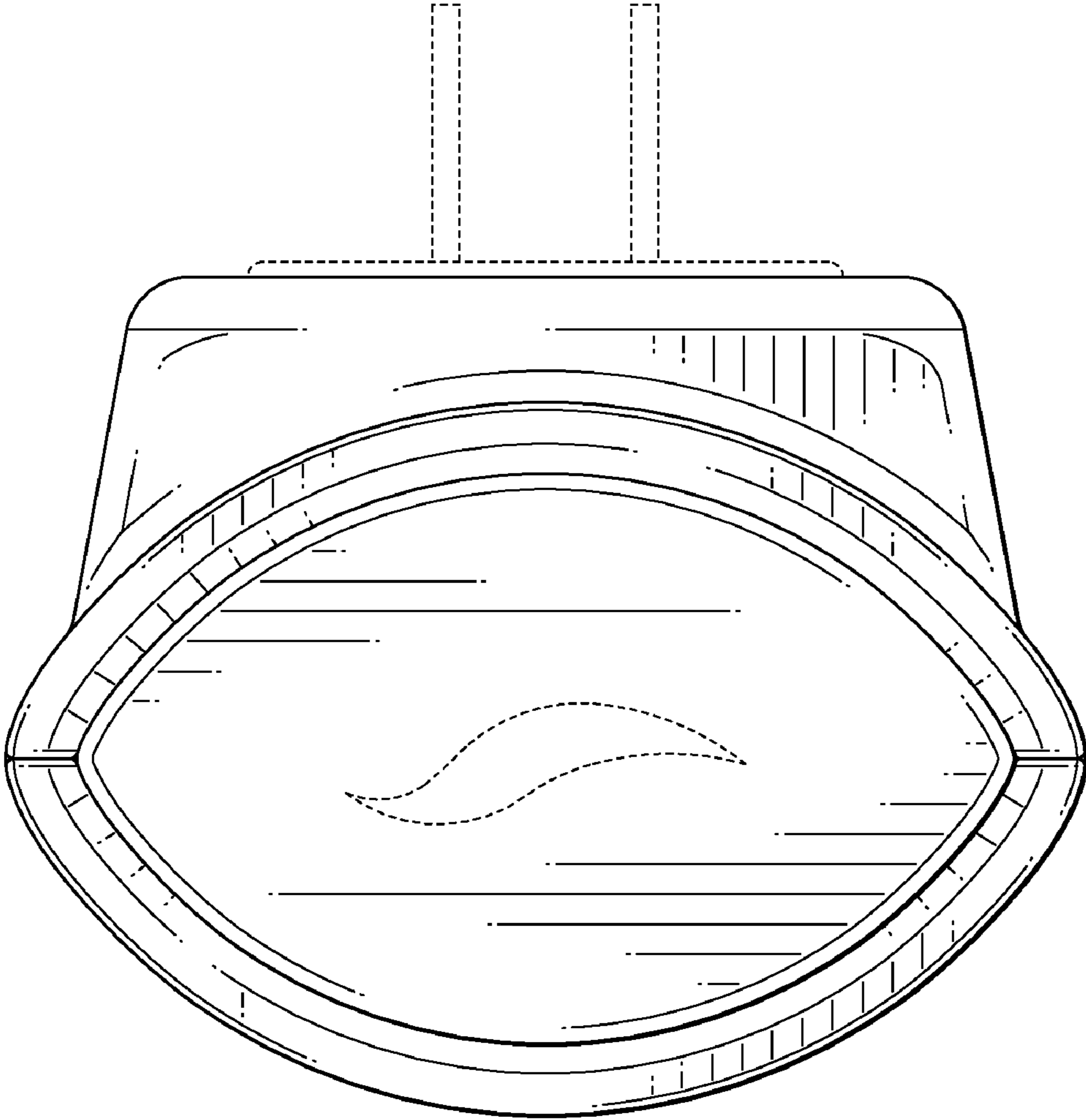


FIG. 14

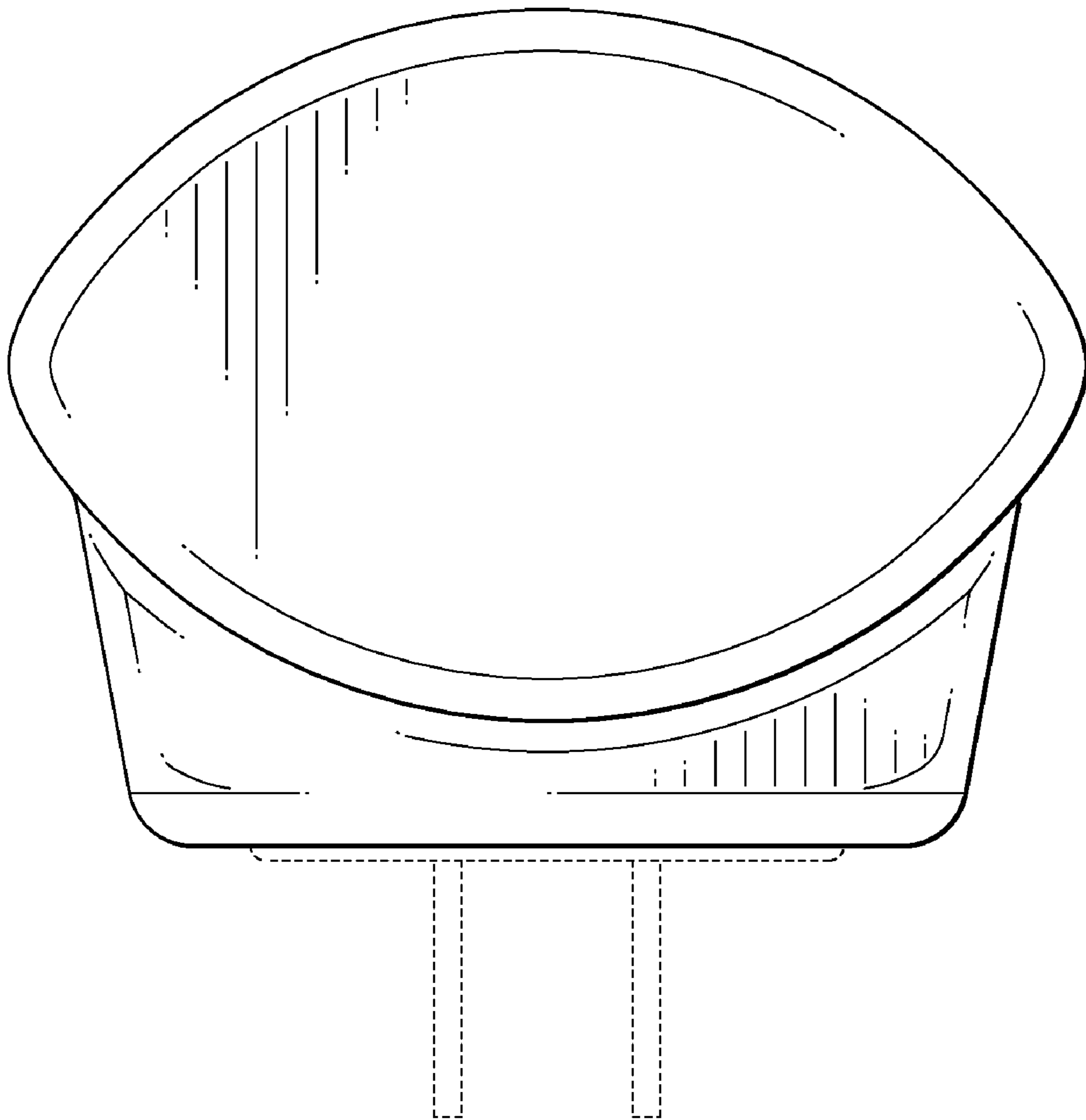


FIG. 15

UNITED STATES PATENT AND TRADEMARK OFFICE
CERTIFICATE OF CORRECTION

PATENT NO. : Des. 604,823 S
APPLICATION NO. : 29/330650
DATED : November 24, 2009
INVENTOR(S) : Keara Elyse Schwartz et al.

Page 1 of 1

It is certified that error appears in the above-identified patent and that said Letters Patent is hereby corrected as shown below:

Title page, item [75] Inventors: Shujan Sung should read --Shujan Sung Bertrand--

Signed and Sealed this

Twenty-third Day of March, 2010

A handwritten signature in black ink that reads "David J. Kappos". The signature is written in a cursive, flowing style.

David J. Kappos
Director of the United States Patent and Trademark Office