



US00D604822S

(12) **United States Design Patent**
Lee

(10) **Patent No.:** **US D604,822 S**

(45) **Date of Patent:** **** Nov. 24, 2009**

(54) **TURBO COMPRESSOR PACKAGE**

(75) Inventor: **Heon Seok Lee**, Daejeon (KR)

(73) Assignee: **Kturbo, Inc.**, Chungbuk (KR)

(**) Term: **14 Years**

(21) Appl. No.: **29/295,738**

(22) Filed: **Oct. 4, 2007**

(51) **LOC (9) Cl.** **23-04**

(52) **U.S. Cl.** **D23/351**

(58) **Field of Classification Search** D23/351-354;
312/236; 62/259.1, 259.4, 262-263, 304;
454/330-331, 349-350

See application file for complete search history.

(56) **References Cited**

U.S. PATENT DOCUMENTS

- D435,095 S * 12/2000 Nanjo D23/351
- D437,399 S * 2/2001 Nonaka D23/351
- D534,630 S * 1/2007 David et al. D23/351
- D534,632 S * 1/2007 David et al. D23/351
- D540,452 S * 4/2007 Narayanamurthy et al. D23/351
- D547,849 S * 7/2007 Francisquini D23/351
- D553,725 S * 10/2007 Shimizu et al. D23/351

- D557,782 S * 12/2007 Choi D23/351
- D562,954 S * 2/2008 Brenneke et al. D23/351
- D579,536 S * 10/2008 Oh et al. D23/351

* cited by examiner

Primary Examiner—Brian N Vinson

(74) *Attorney, Agent, or Firm*—Joseph H. Kim; JHK Law

(57) **CLAIM**

The ornamental design for a turbo compressor package, as shown and described.

DESCRIPTION

- FIG. 1 is a top, front and right side perspective view;
- FIG. 2 is a front elevational view thereof;
- FIG. 3 is a rear elevational view thereof;
- FIG. 4 is a left side elevational view thereof;
- FIG. 5 is a right side elevational view thereof;
- FIG. 6 is a top plan view thereof; and,
- FIG. 7 is a bottom plan view thereof.

The fan element visible beneath the grill element is shown in broken lines for illustrative purposes only and forms no part of the claimed design.

1 Claim, 7 Drawing Sheets

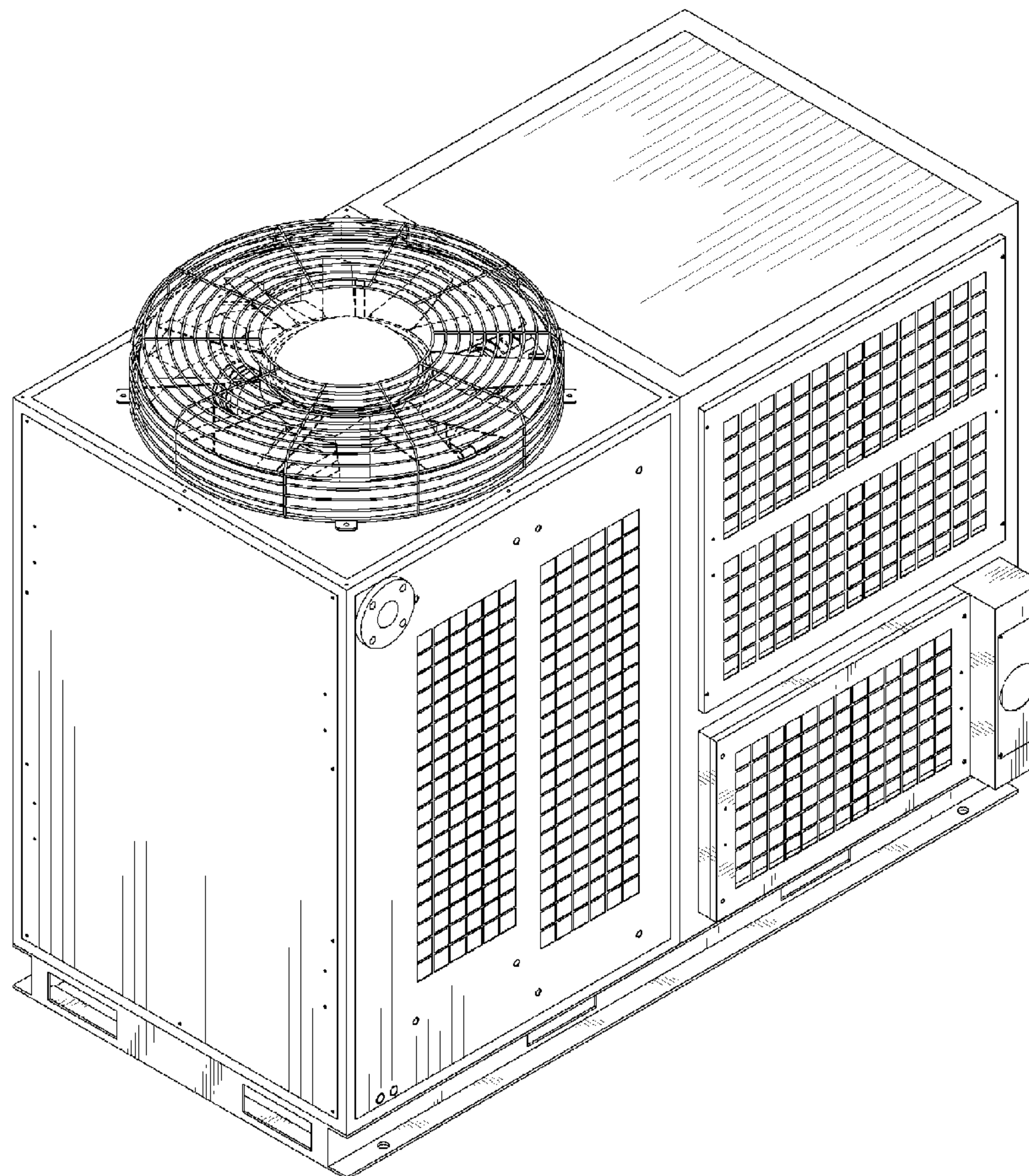


FIG. 1

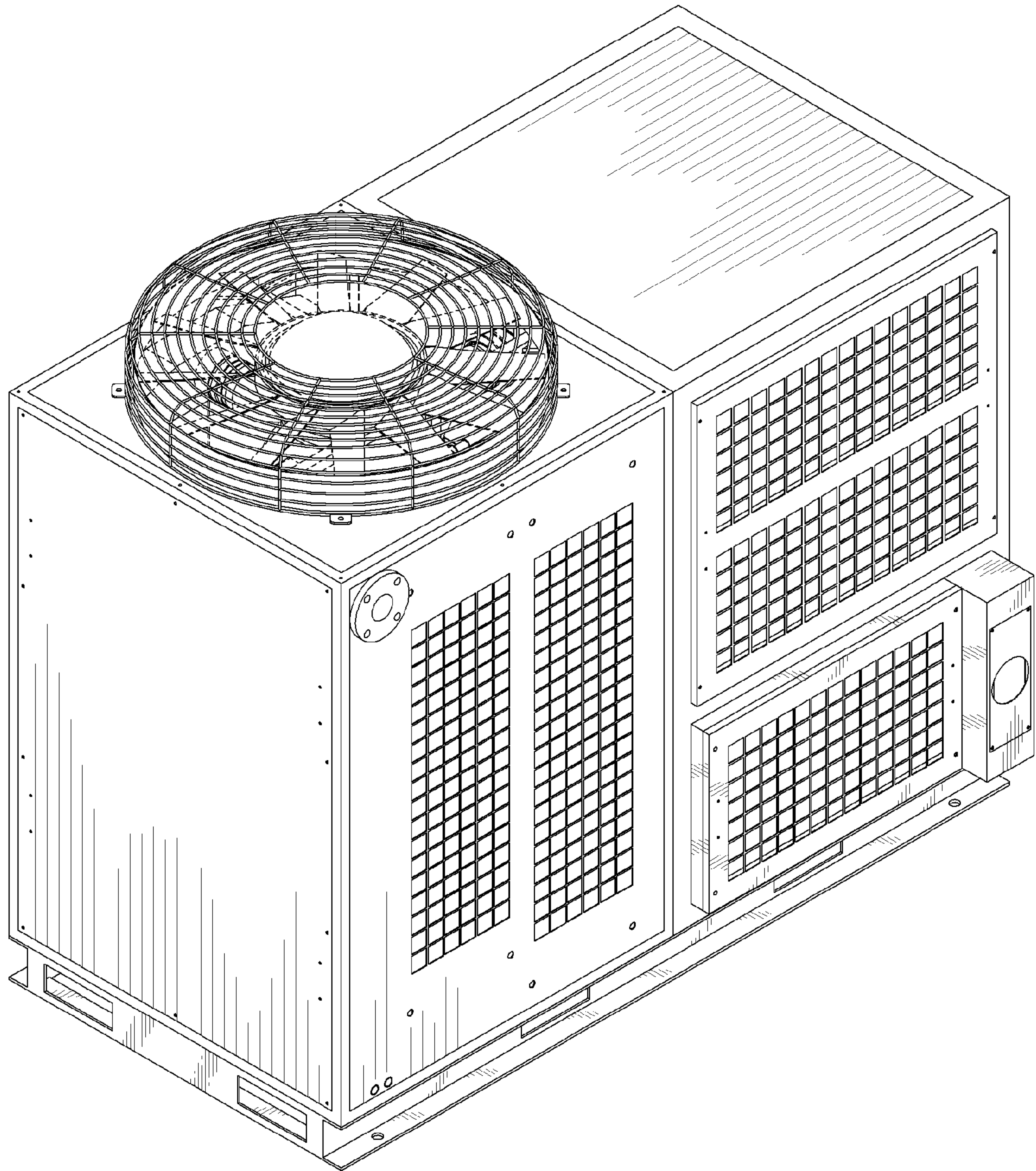


FIG. 2

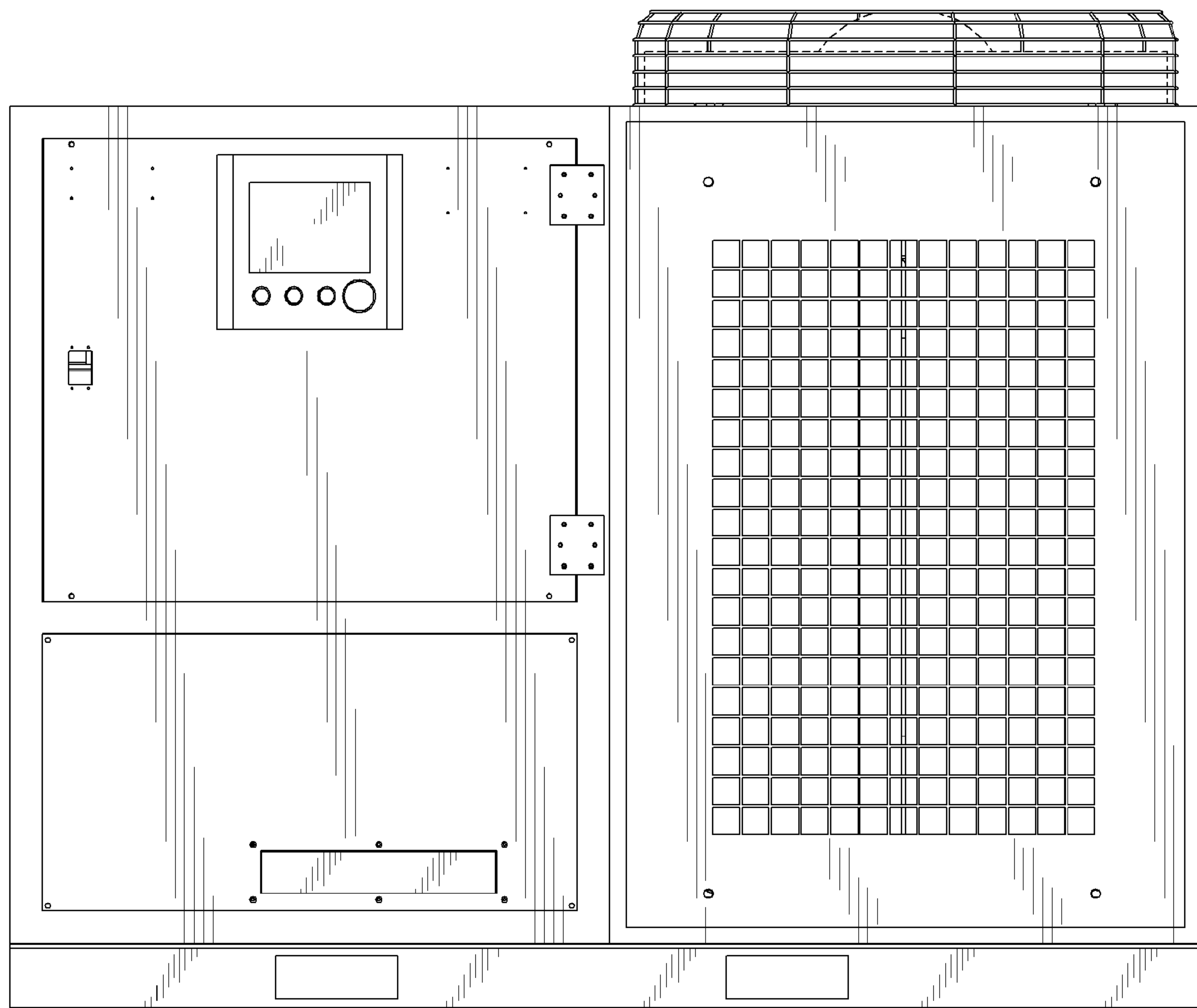


FIG. 3

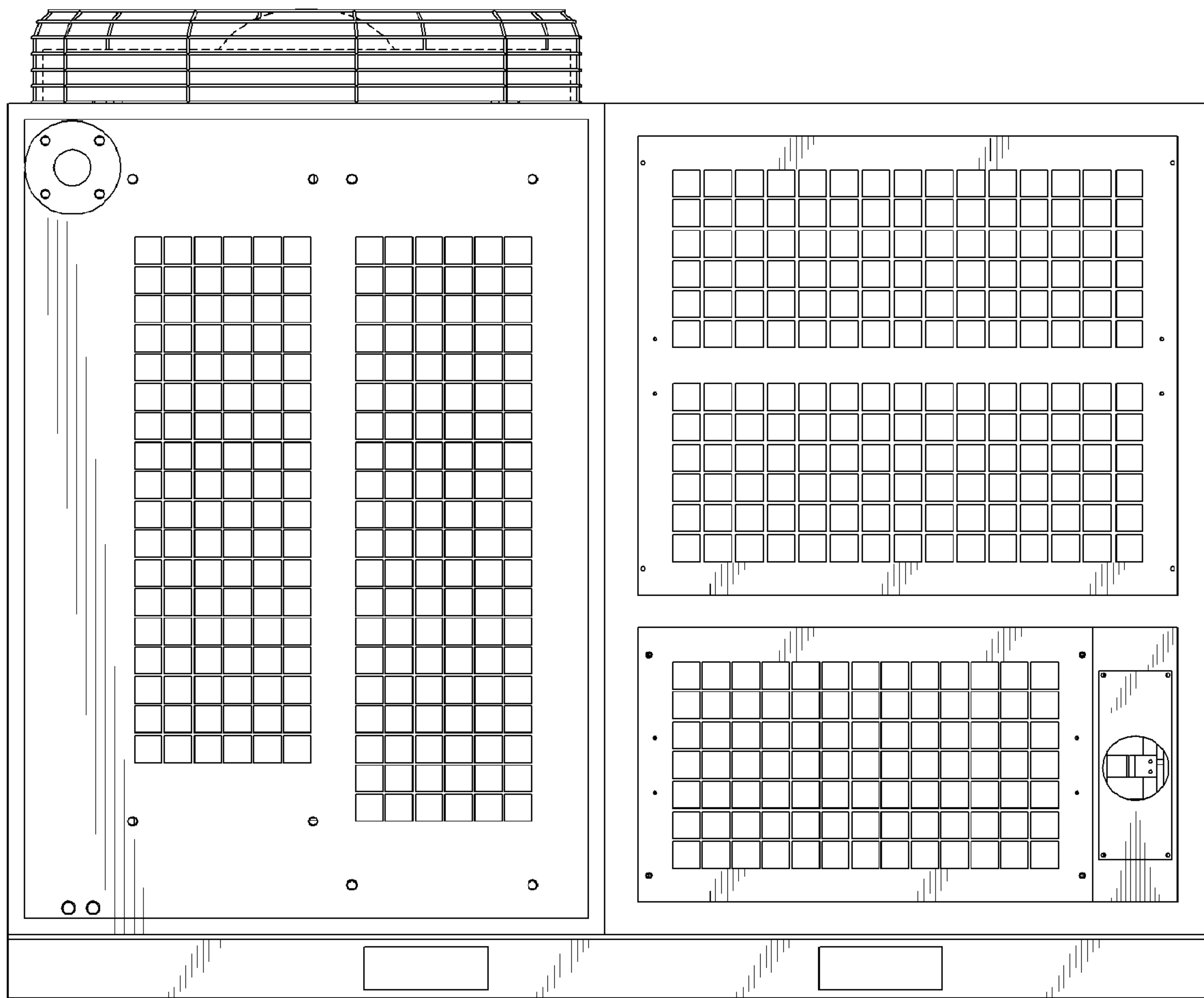


FIG. 4

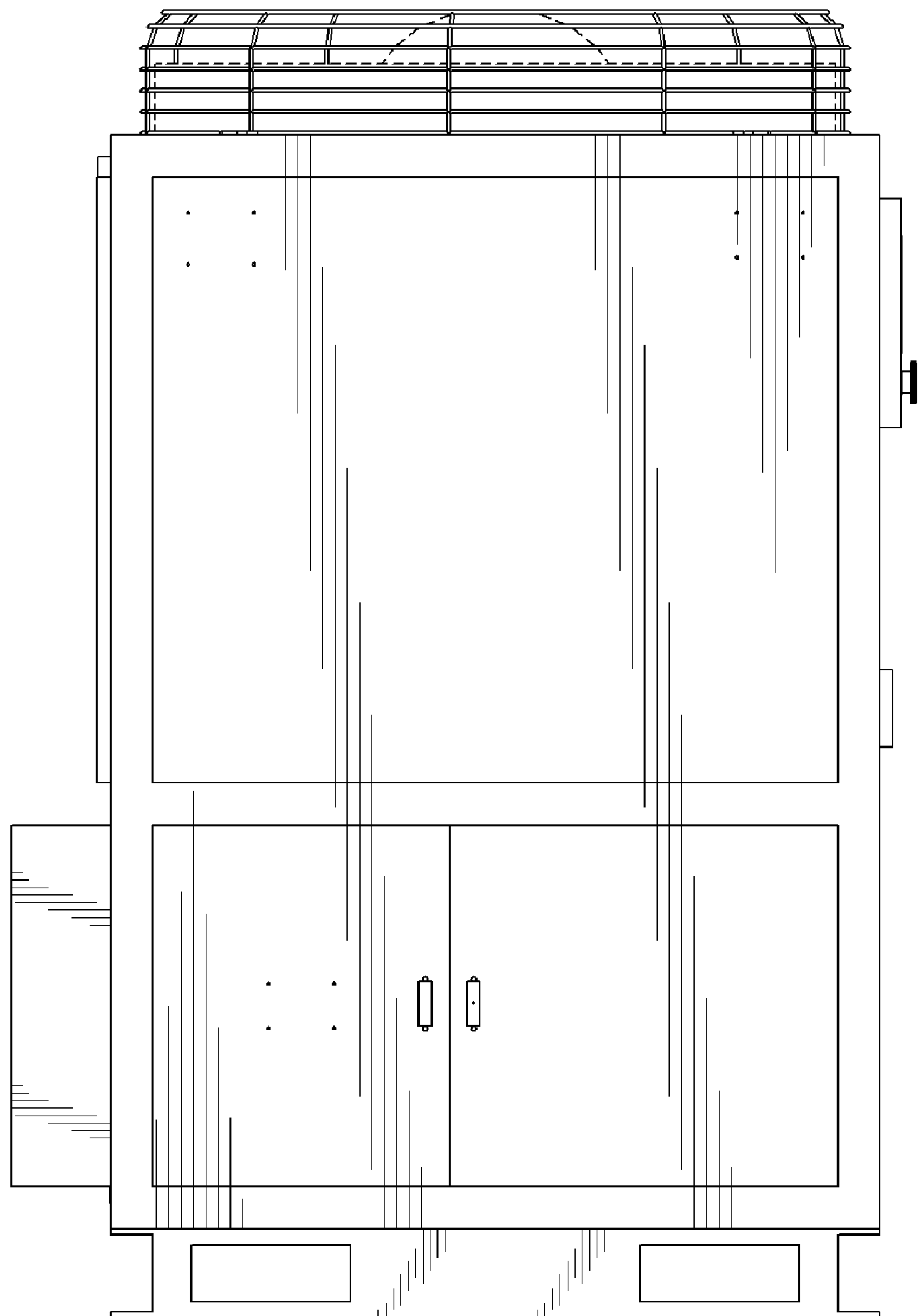


FIG. 5



FIG. 6

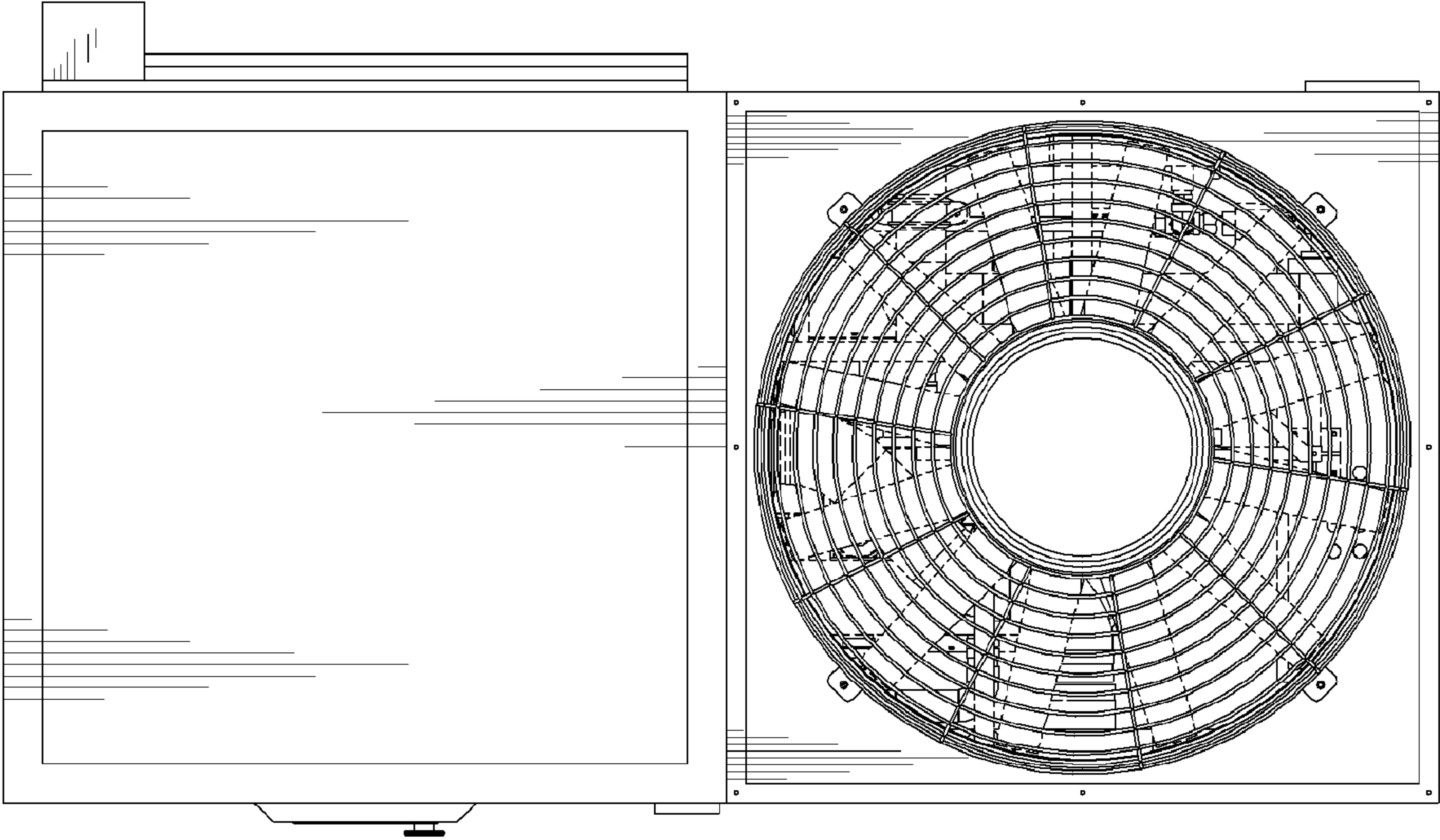


FIG. 7

