



US00D604821S

(12) **United States Design Patent**
Quinn et al.

(10) **Patent No.:** **US D604,821 S**

(45) **Date of Patent:** **** Nov. 24, 2009**

(54) **AIR DRYER**

(75) Inventors: **Leonard A. Quinn**, Lagrange, OH (US);
Gregory Ashley, Amherst, OH (US)

(73) Assignee: **Bendix Commercial Vehicle Systems LLC**, Elyria, OH (US)

(**) Term: **14 Years**

(21) Appl. No.: **29/257,655**

(22) Filed: **Apr. 7, 2006**

(51) **LOC (9) Cl.** **23-03**

(52) **U.S. Cl.** **D23/347**

(58) **Field of Classification Search** D23/332-350,
D23/355, 359, 365, 202, 205; 34/351, 80;
96/147; 55/385.3, DIG. 17; 285/62, 913;
95/118

See application file for complete search history.

(56) **References Cited**

U.S. PATENT DOCUMENTS

D297,256 S	8/1988	Schwarz	
D360,459 S *	7/1995	Tschaeppler	D23/359
5,622,544 A *	4/1997	Shamine et al.	96/134
5,853,024 A	12/1998	Life	
6,094,836 A *	8/2000	Mahoney et al.	34/80
D430,647 S	9/2000	Bergum et al.	
6,581,297 B1 *	6/2003	Ginder	34/79
6,585,806 B2 *	7/2003	Quinn et al.	95/121
D482,435 S *	11/2003	Kawakami et al.	D23/359
6,701,709 B2	3/2004	Isaac, Jr. et al.	
6,730,143 B1 *	5/2004	Nichols et al.	95/118
D499,172 S	11/2004	Tripp et al.	
6,824,594 B2 *	11/2004	Larsson	96/109
6,878,194 B2 *	4/2005	Hoffman et al.	96/147
D513,786 S	1/2006	Montano et al.	
D518,874 S	4/2006	Takeda et al.	
D519,188 S	4/2006	Hay	
7,100,305 B2 *	9/2006	Hoffman et al.	34/351
D546,920 S	7/2007	Fulkerson	
7,273,072 B2	9/2007	Muller	

D574,940 S *	8/2008	Quinn et al.	D23/359
2002/0017283 A1 *	2/2002	Furuya	123/573
2004/0083893 A1 *	5/2004	Larsson	96/108
2007/0084348 A1 *	4/2007	Hoffman et al.	96/108

FOREIGN PATENT DOCUMENTS

EP	214 373	3/1987
WO	WO 89/11054	11/1989

OTHER PUBLICATIONS

Bendix Service Data SD-03-824, Bendix TC-7 Trailer Control Brake Valve, 4 pgs., Mar. 2004, printed USA.
Bendix Service Data SD-03-821, Bendix TC-6 Trailer Control Brake Valve, 3 pgs., Mar. 2004, printed USA.
Bendix Air System Components 03, Brake Valves, 4 pgs., Mar. 2004, printed USA.

* cited by examiner

Primary Examiner—T. Chase Nelson
Assistant Examiner—Eric L Goodman

(74) *Attorney, Agent, or Firm*—Calfee, Halter & Griswold LLP

(57) **CLAIM**

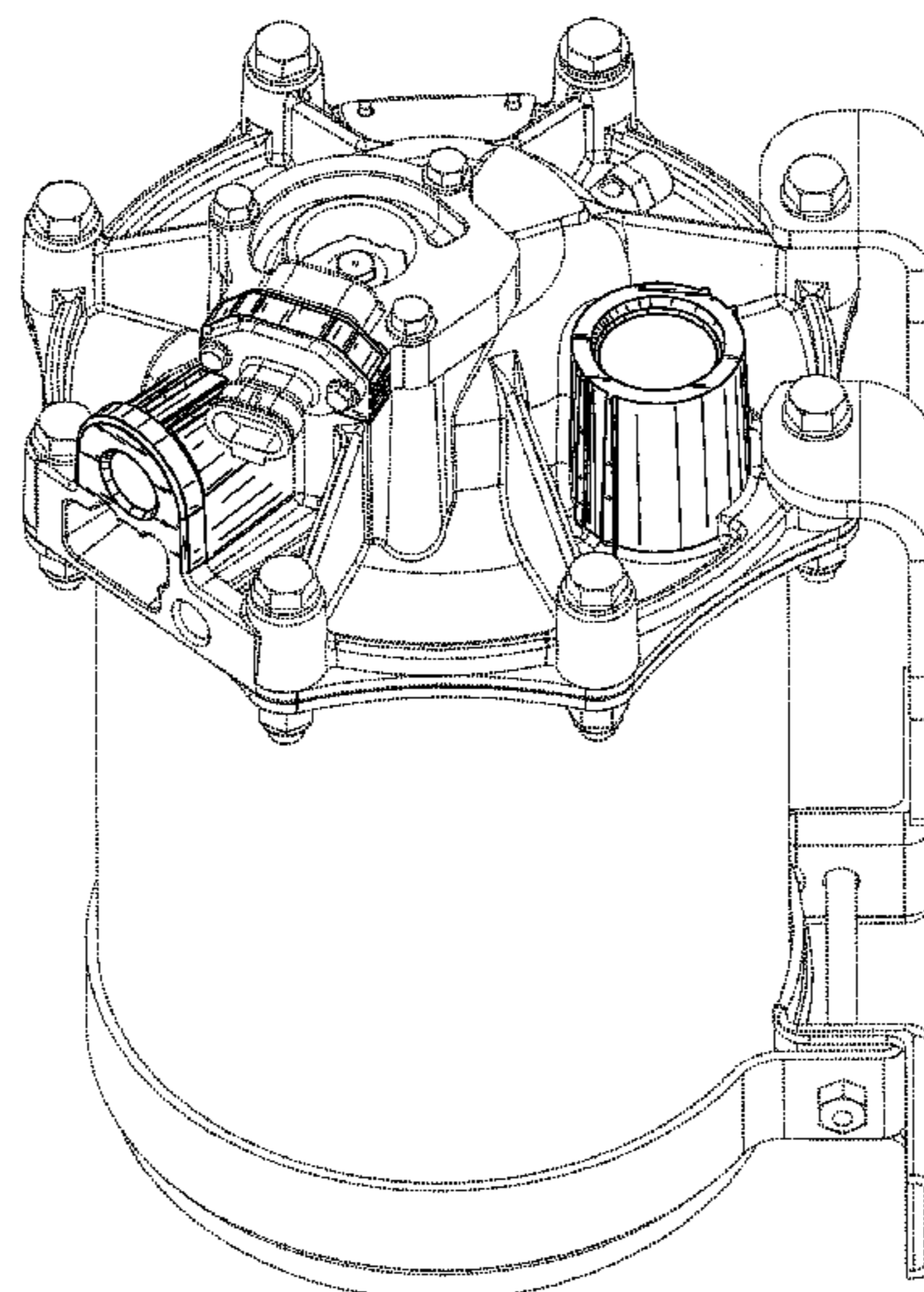
We claim the ornamental design for an air dryer, as shown and described.

DESCRIPTION

FIG. 1 is a perspective view of an air dry dryer of the new design;
FIG. 2 is a first side view of the air dryer of FIG. 1;
FIG. 3 is a second side view of the air dryer of FIG. 1;
FIG. 4 is a third side view of the air dryer of FIG. 1;
FIG. 5 is a fourth view of the air dryer of FIG. 1;
FIG. 6 is a top view of the air dryer of FIG. 1; and,
FIG. 7 is a rear view of the air dryer of FIG. 1.

The portions of the Figures shown in phantom lines are not part of the claimed design and are for illustration only.

1 Claim, 7 Drawing Sheets



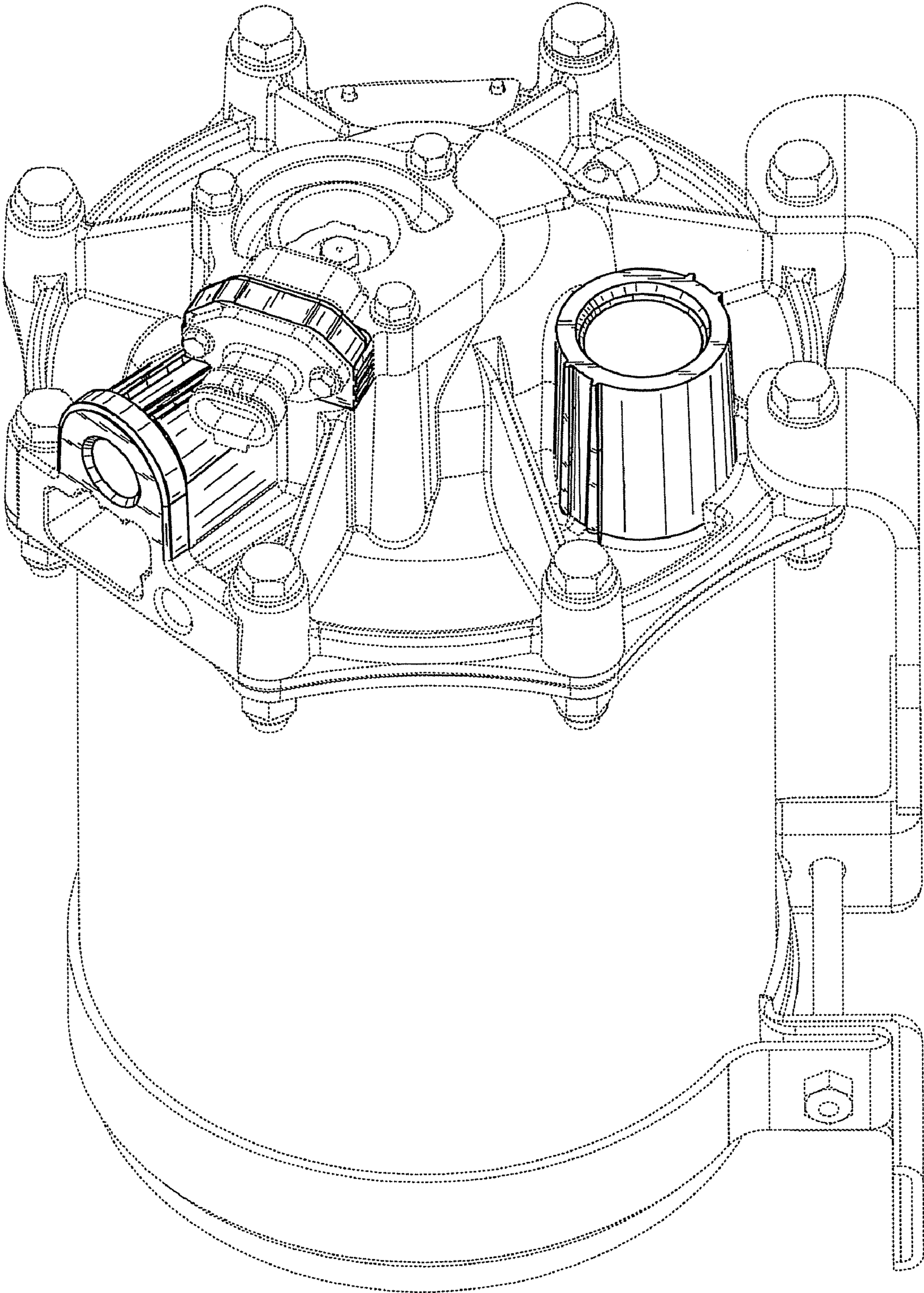


Fig.1

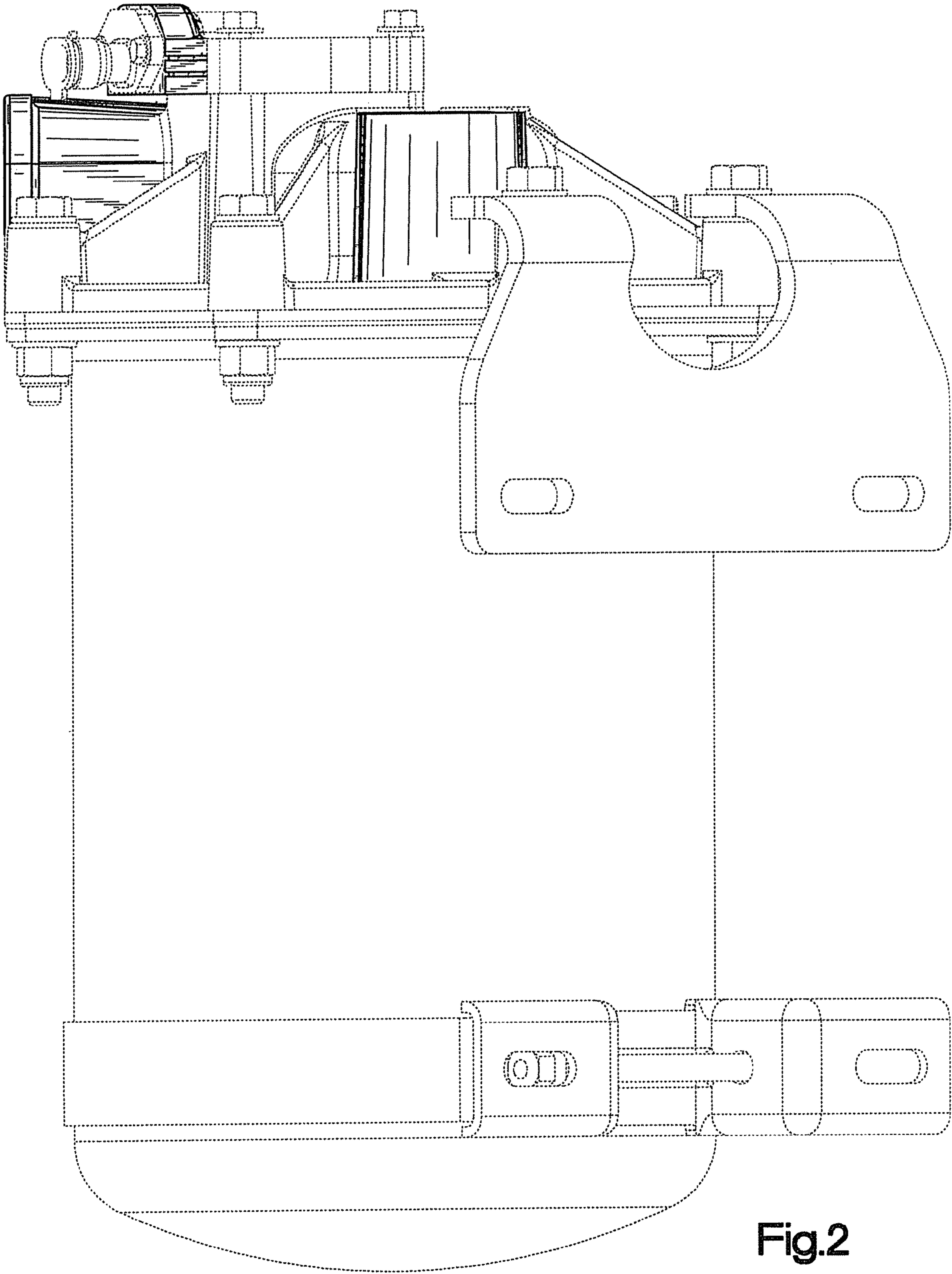


Fig.2

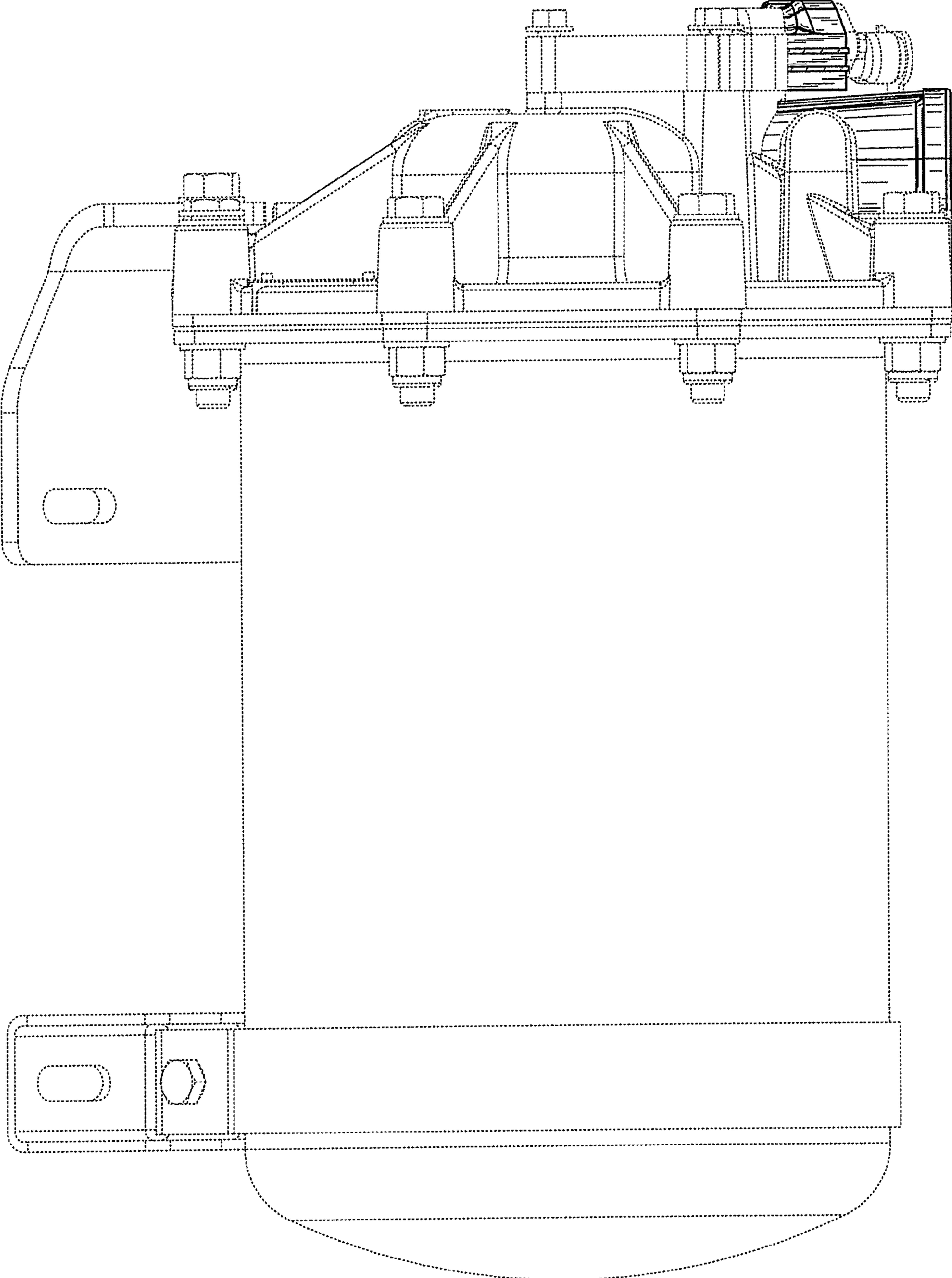


Fig.3

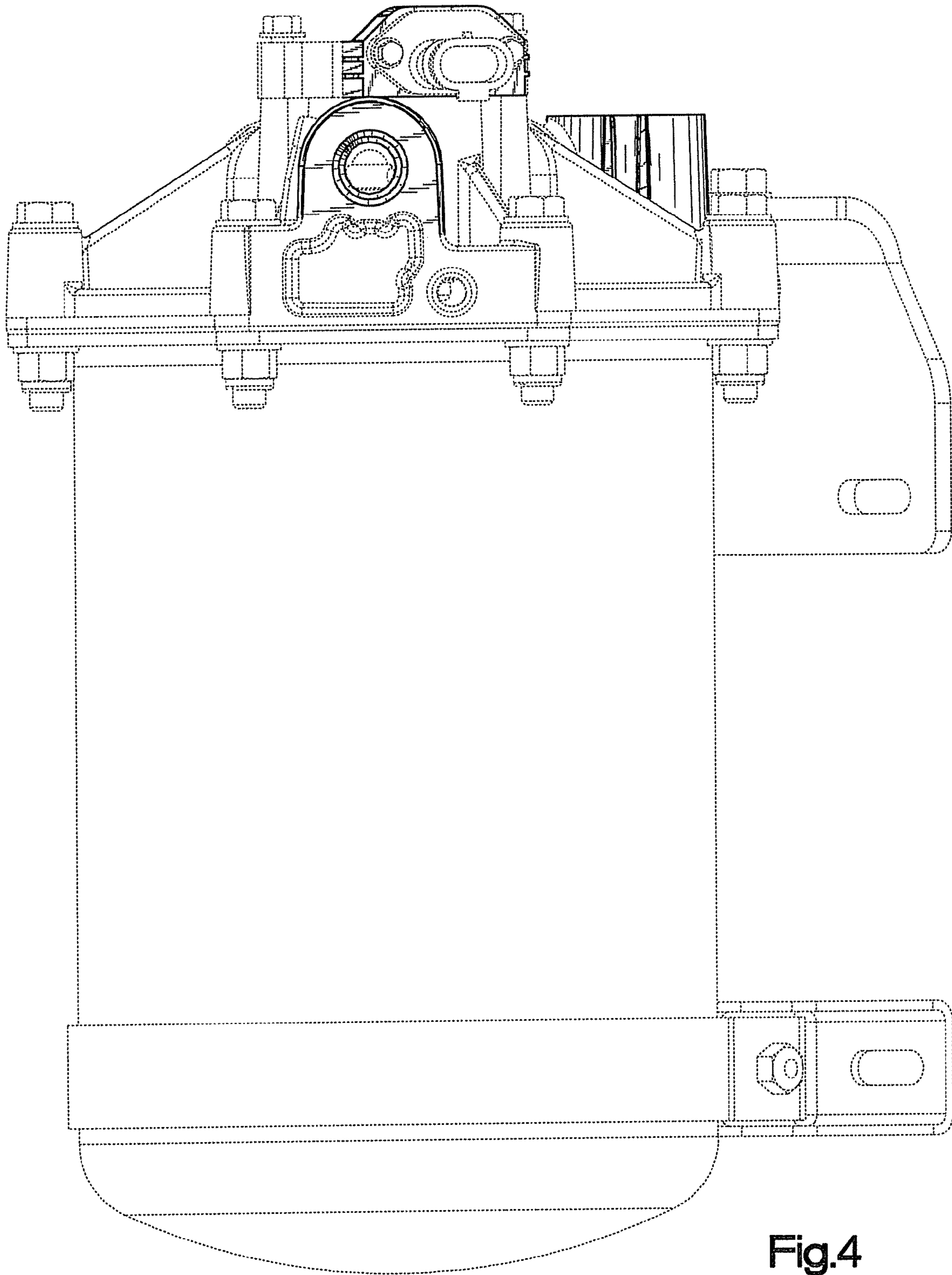


Fig.4

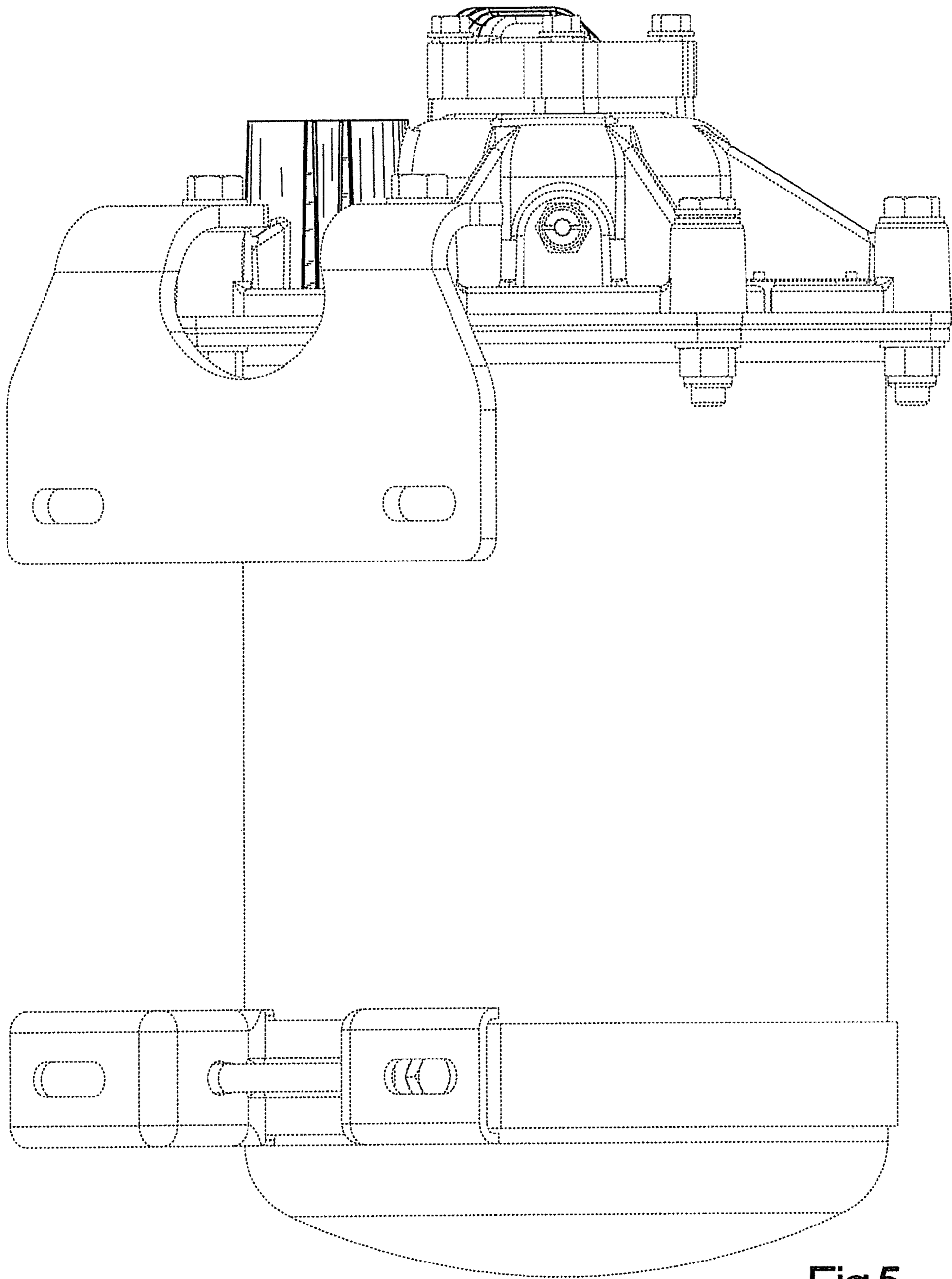


Fig.5

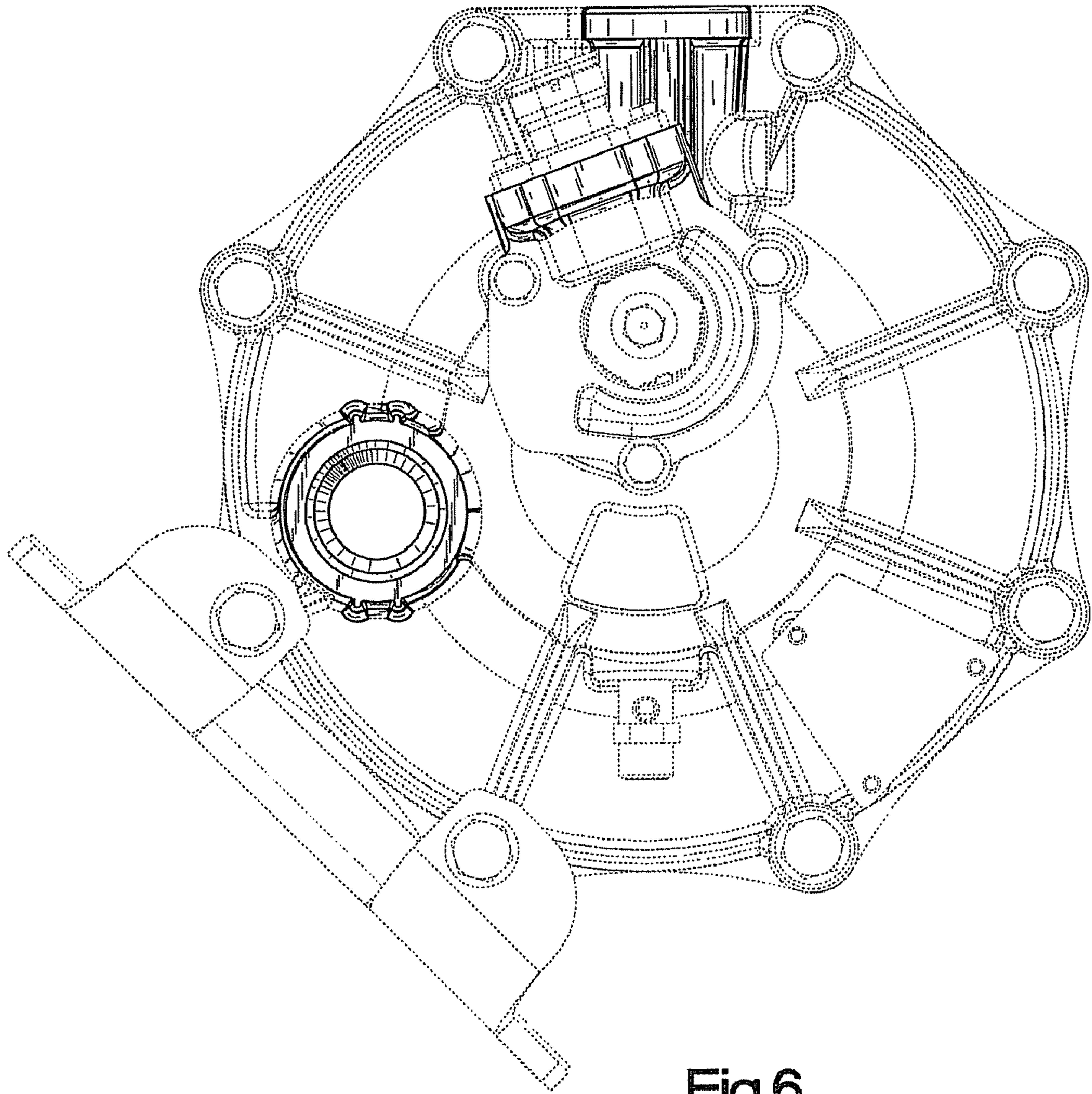


Fig.6

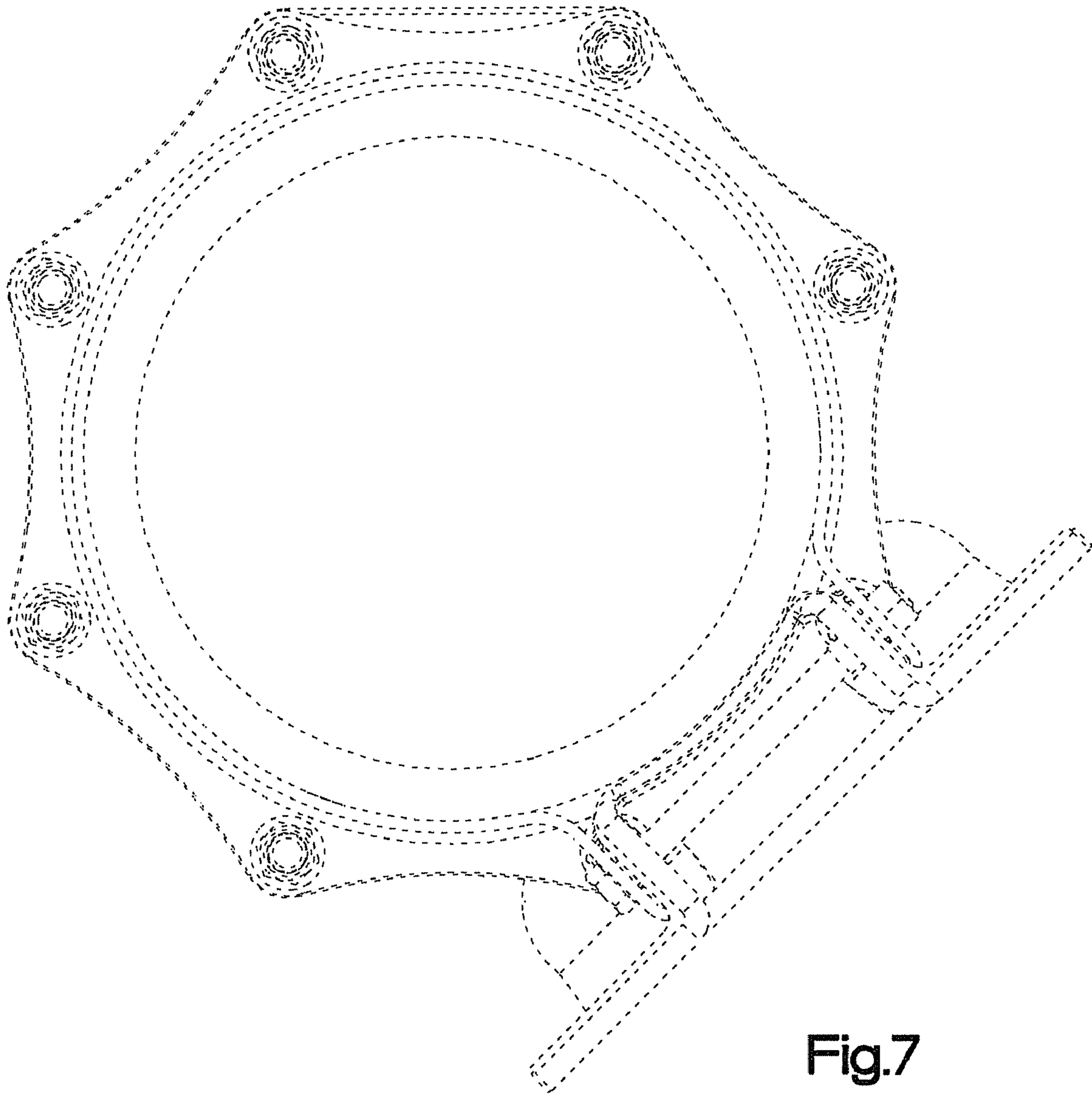


Fig.7