



US00D604820S

(12) **United States Design Patent**
Cepress

(10) **Patent No.:** **US D604,820 S**

(45) **Date of Patent:** **** Nov. 24, 2009**

(54) **FLAT PANEL HEATER**

(75) Inventor: **Carl Cepress**, Chicago, IL (US)

(73) Assignee: **Sunbeam Products, Inc.**, Boca Raton, FL (US)

(**) Term: **14 Years**

(21) Appl. No.: **29/340,718**

(22) Filed: **Jul. 23, 2009**

(51) **LOC (9) Cl.** **23-03**

(52) **U.S. Cl.** **D23/332**

(58) **Field of Classification Search** D23/317,
D23/314, 332, 333, 334, 335, 337, 342, 351,
D23/355, 378, 370, 381, 364, 336, 341; 416/244 R,
416/247 R, 53.1-53.3; 392/365, 367
See application file for complete search history.

(56) **References Cited**

U.S. PATENT DOCUMENTS

D546,429 S * 7/2007 Ching et al. D23/342

* cited by examiner

Primary Examiner—T. Chase Nelson

Assistant Examiner—Ania K Dworzecka

(74) *Attorney, Agent, or Firm*—Lawrence J. Shurupoff

(57) **CLAIM**

The ornamental design for a flat panel heater, as shown and described.

DESCRIPTION

FIG. 1 is a front right perspective view of the flat panel heater showing the new design;

FIG. 2 is a front elevation view thereof;

FIG. 3 is a back elevation view thereof;

FIG. 4 is a left side elevation thereof;

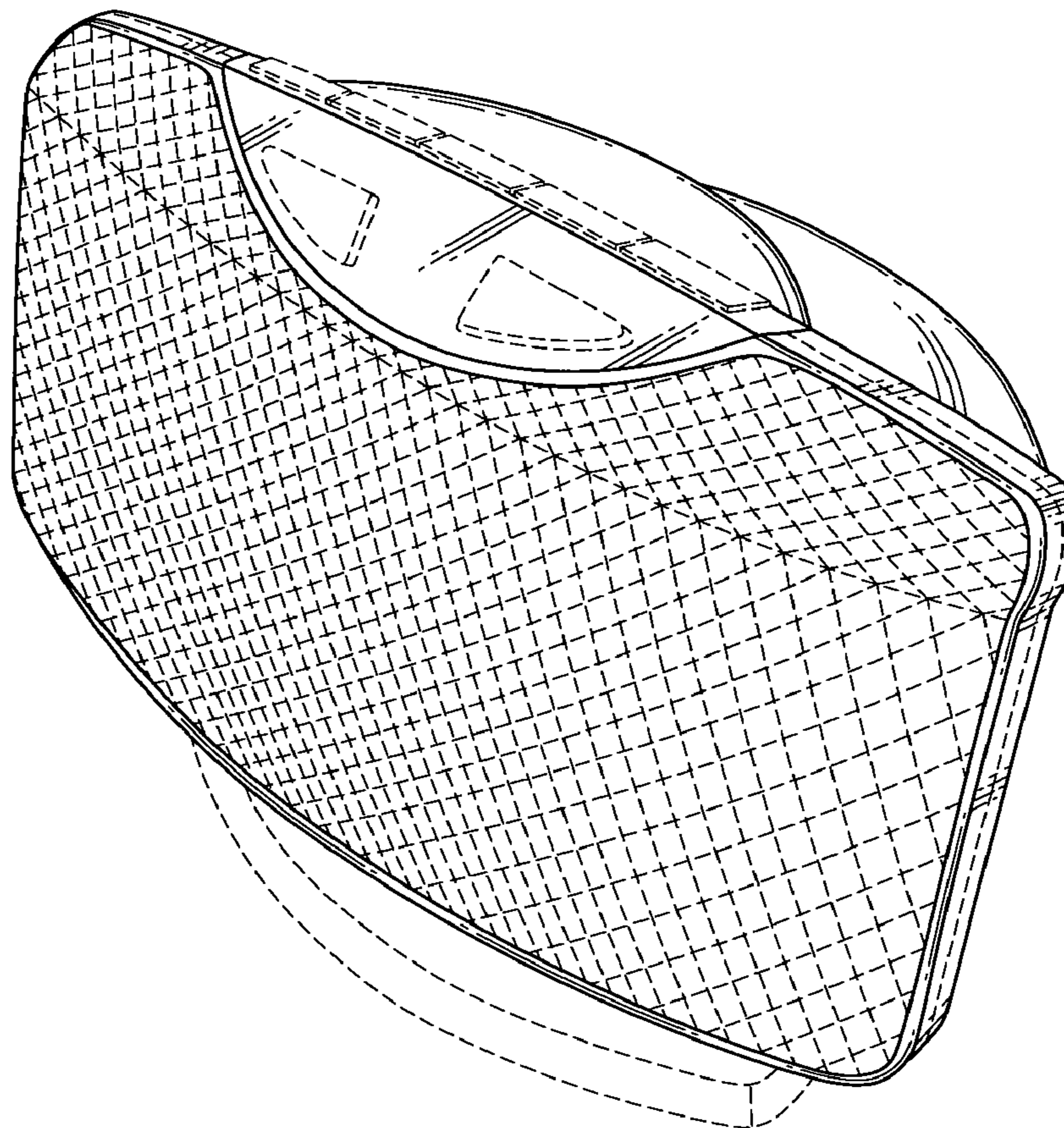
FIG. 5 is a right side elevation thereof;

FIG. 6 is a top plan view thereof; and,

FIG. 7 is a bottom plan view thereof.

The broken lines in the drawings are for illustrative purposes only and form no part of the claimed design.

1 Claim, 4 Drawing Sheets



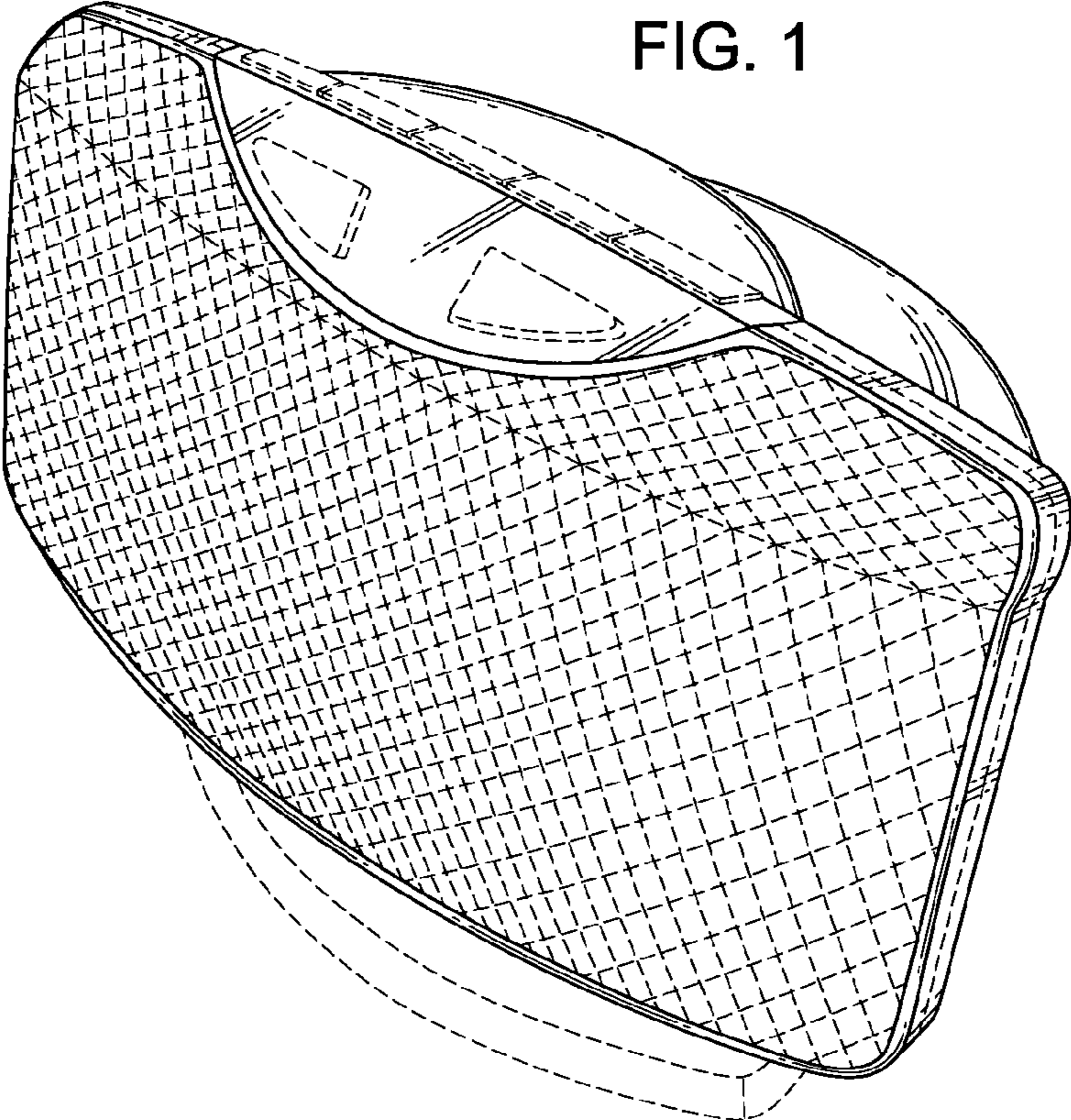


FIG. 1

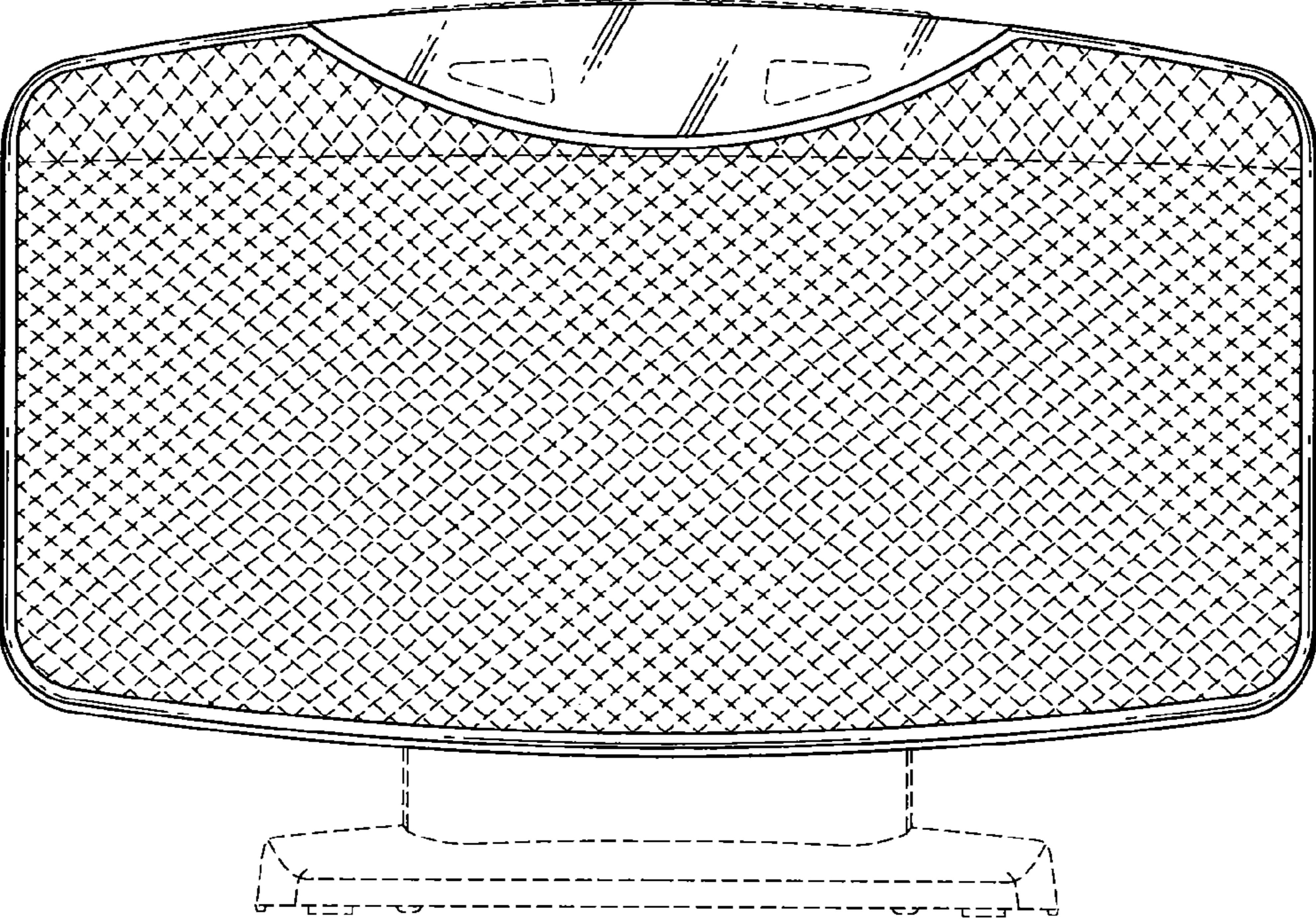


FIG. 2

FIG. 3

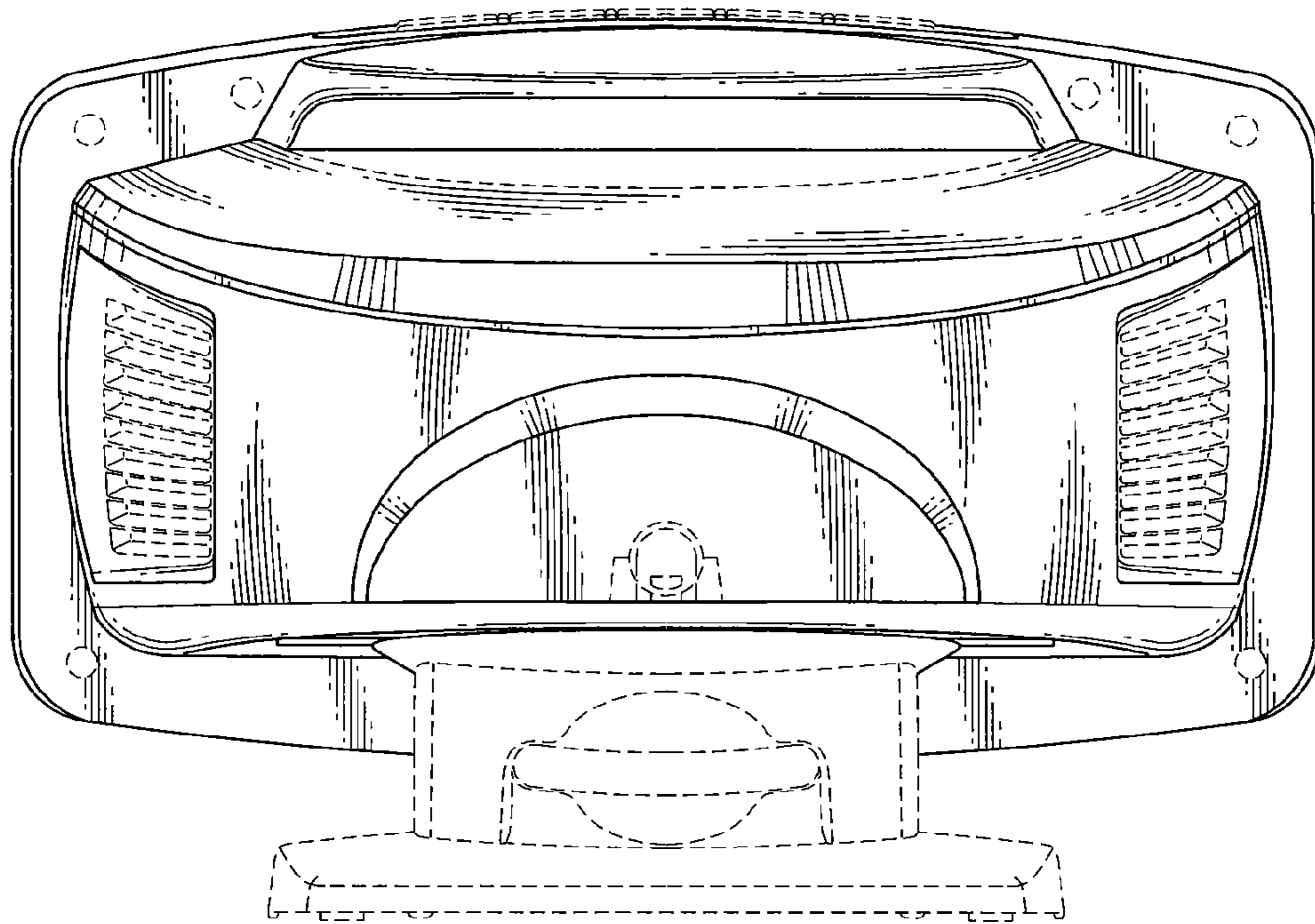
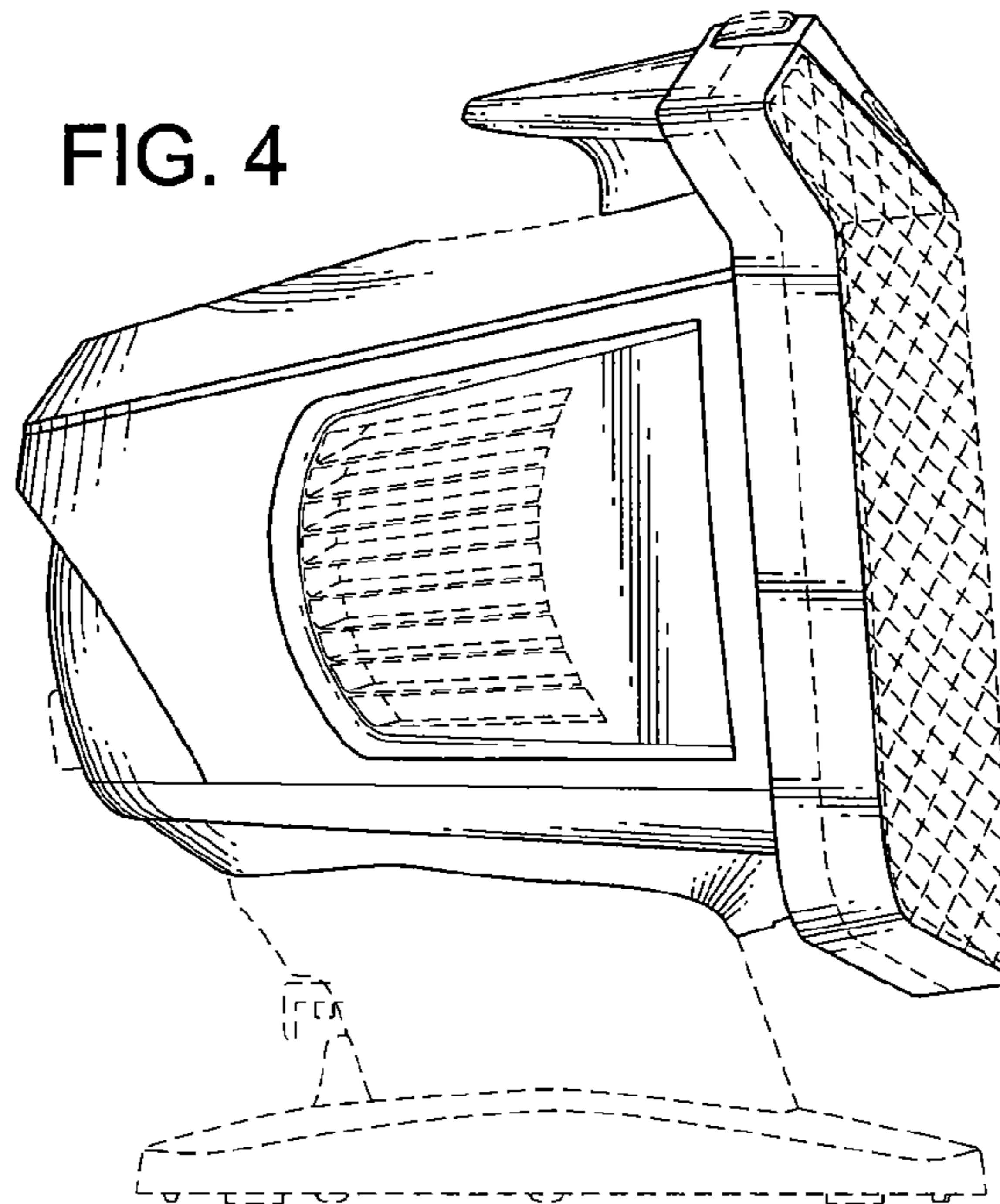


FIG. 4



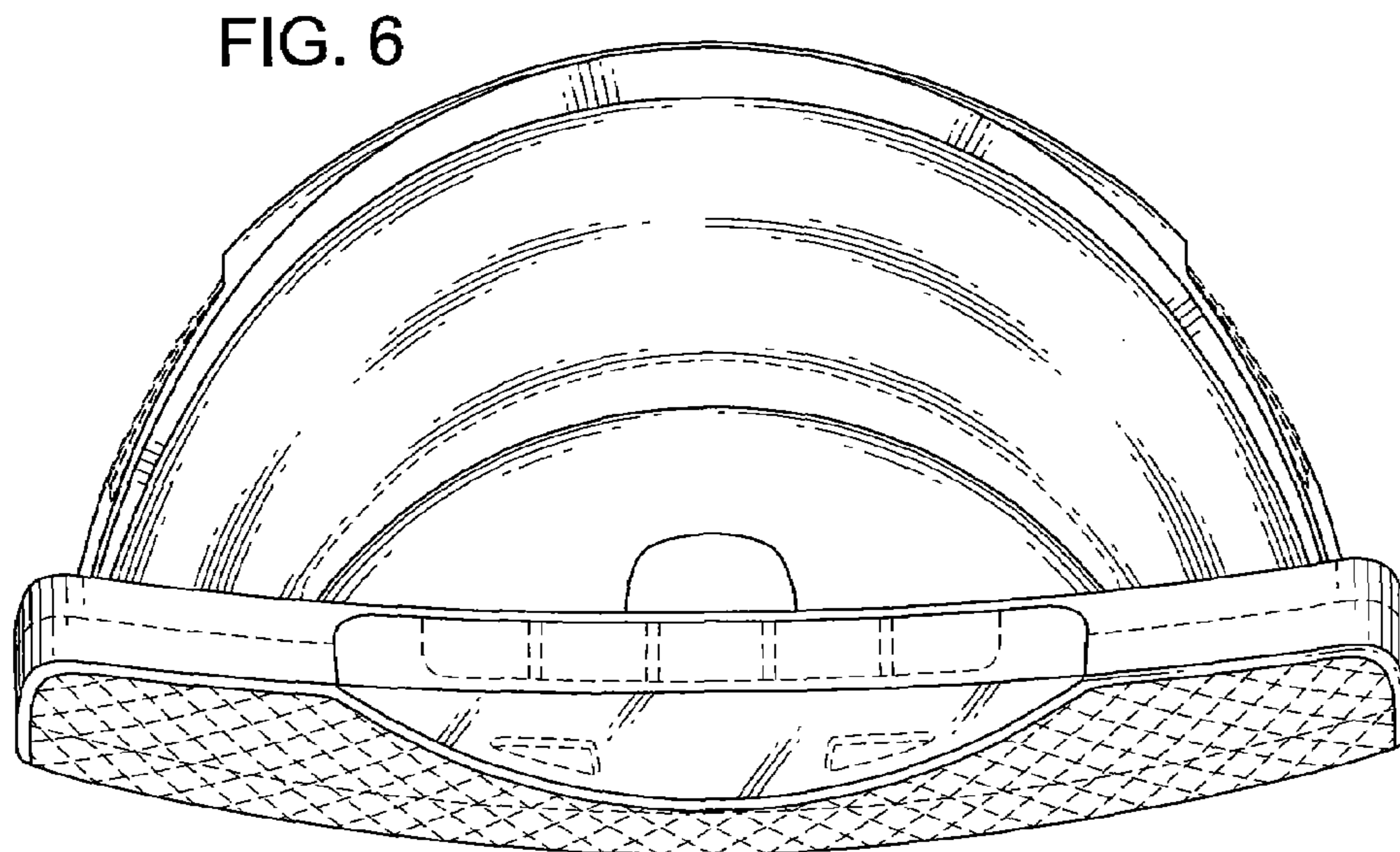
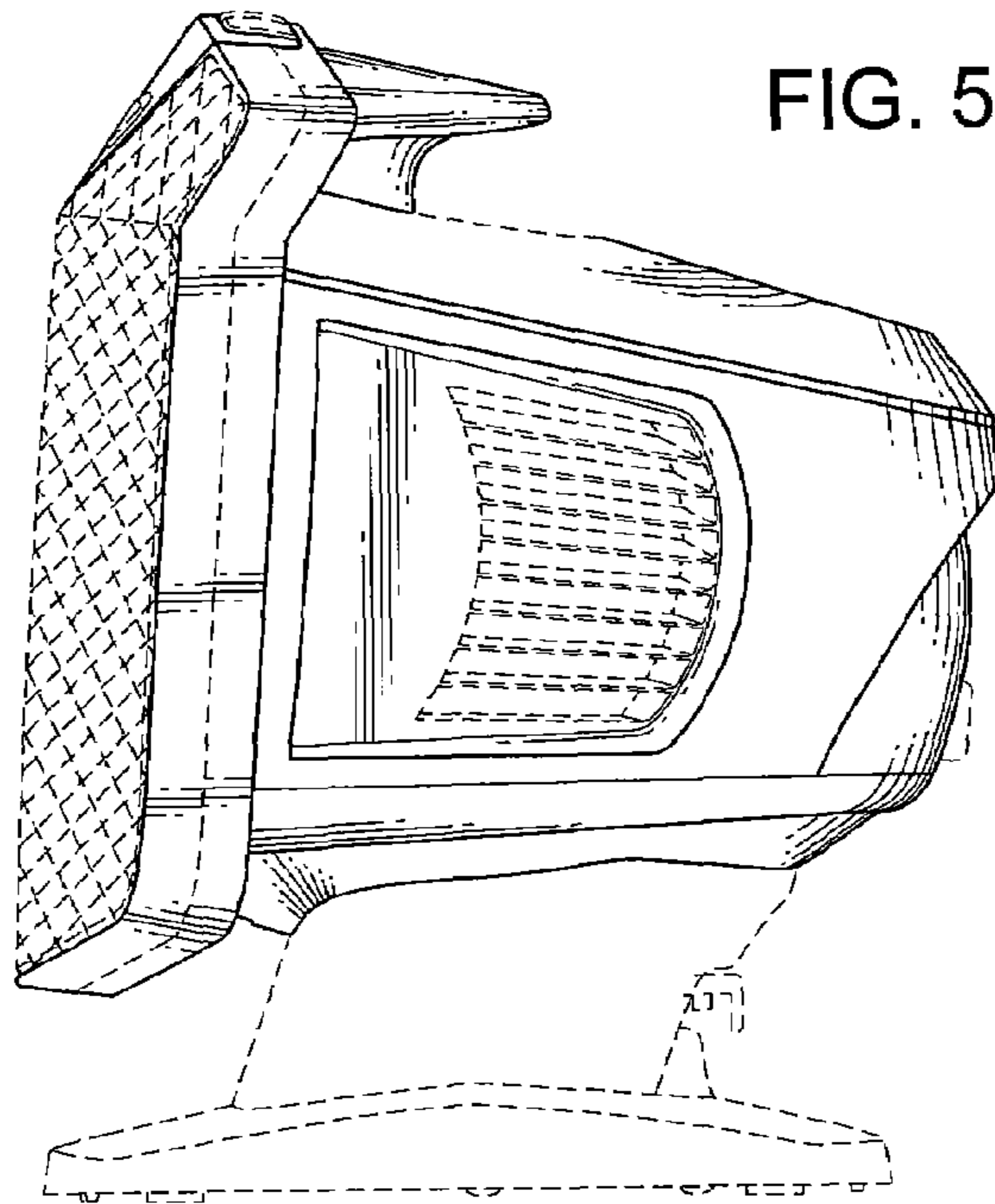


FIG. 7

