



US00D604817S

(12) **United States Design Patent**
Lee

(10) **Patent No.:** **US D604,817 S**
(45) **Date of Patent:** **** Nov. 24, 2009**

(54) **TWIN TOWER HEATER**

D595,395 S * 6/2009 Lewis D23/314

(75) Inventor: **Hyung Seok Lee**, Chicago, IL (US)

* cited by examiner

(73) Assignee: **Sunbeam Products, Inc.**, Boca Raton, FL (US)

Primary Examiner—T. Chase Nelson

Assistant Examiner—Ania K Dworzecka

(74) *Attorney, Agent, or Firm*—Lawrence J. Shurupoff

(**) Term: **14 Years**

(57) **CLAIM**

(21) Appl. No.: **29/334,196**

The ornamental design for a twin tower heater, as shown and described.

(22) Filed: **Mar. 23, 2009**

(51) **LOC (9) Cl.** **23-03**

(52) **U.S. Cl.** **D23/332**

(58) **Field of Classification Search** D23/317,
D23/314, 332, 333, 334, 335, 337, 342, 351,
D23/355, 378, 370, 381, 364, 336, 341; 416/244 R,
416/247 R, 53.1–53.3; 392/365, 367
See application file for complete search history.

DESCRIPTION

FIG. 1 is a front right perspective view of the twin tower heater showing the new design;

FIG. 2 is a front elevation view thereof;

FIG. 3 is a back elevation view thereof;

FIG. 4 is a left side elevation thereof;

FIG. 5 is a right side elevation thereof; and,

FIG. 6 is a top plan view thereof.

The broken lines in the drawings are for illustrative purposes only and form no part of the claimed design.

(56) **References Cited**

U.S. PATENT DOCUMENTS

D487,139 S *	2/2004	Shapiro	D23/335
6,830,433 B2 *	12/2004	Birdsell et al.	416/110
D507,340 S *	7/2005	Shapiro	D23/335
D526,396 S *	8/2006	Blateri	D23/335

1 Claim, 3 Drawing Sheets

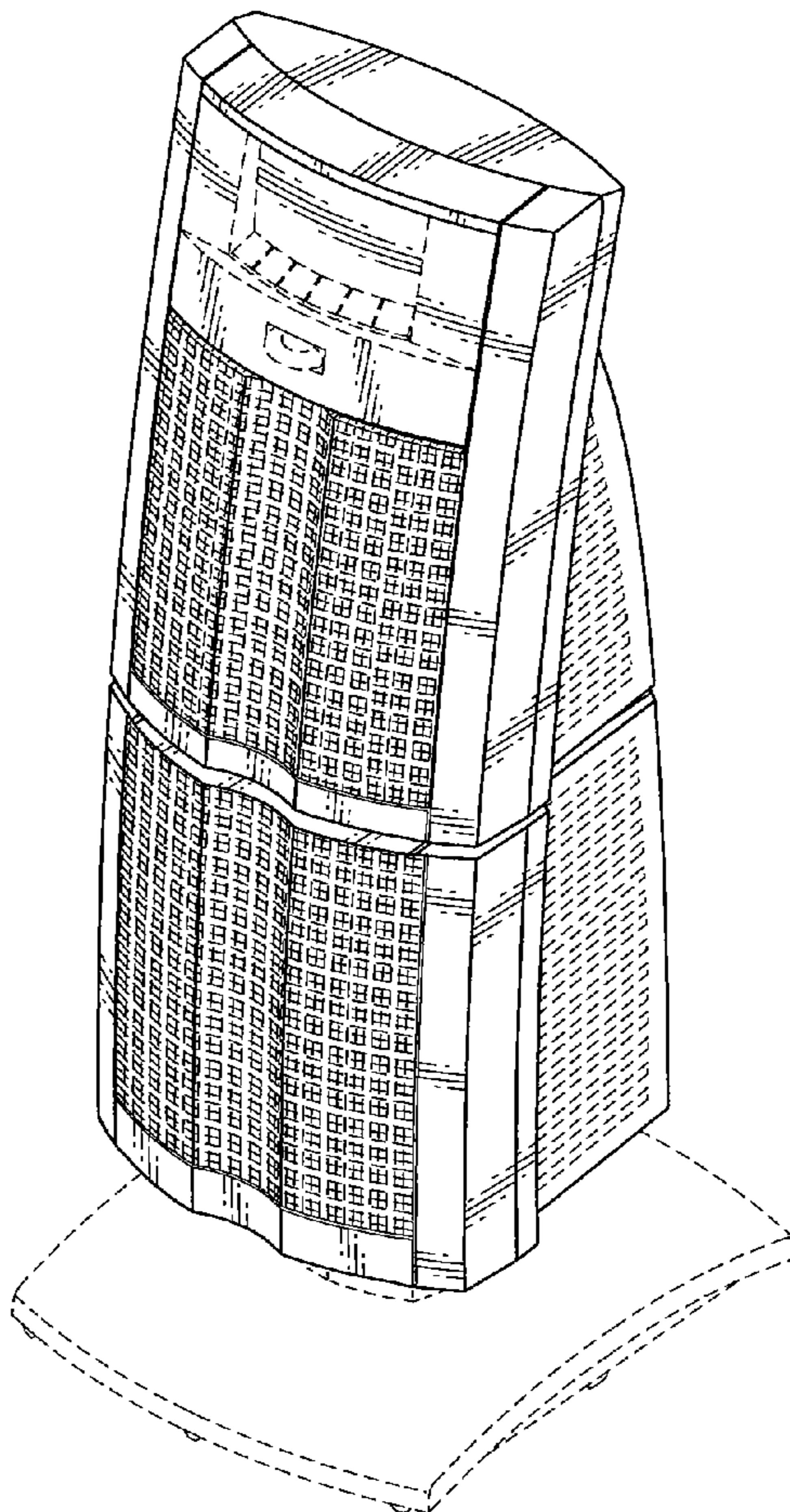


FIG. 1

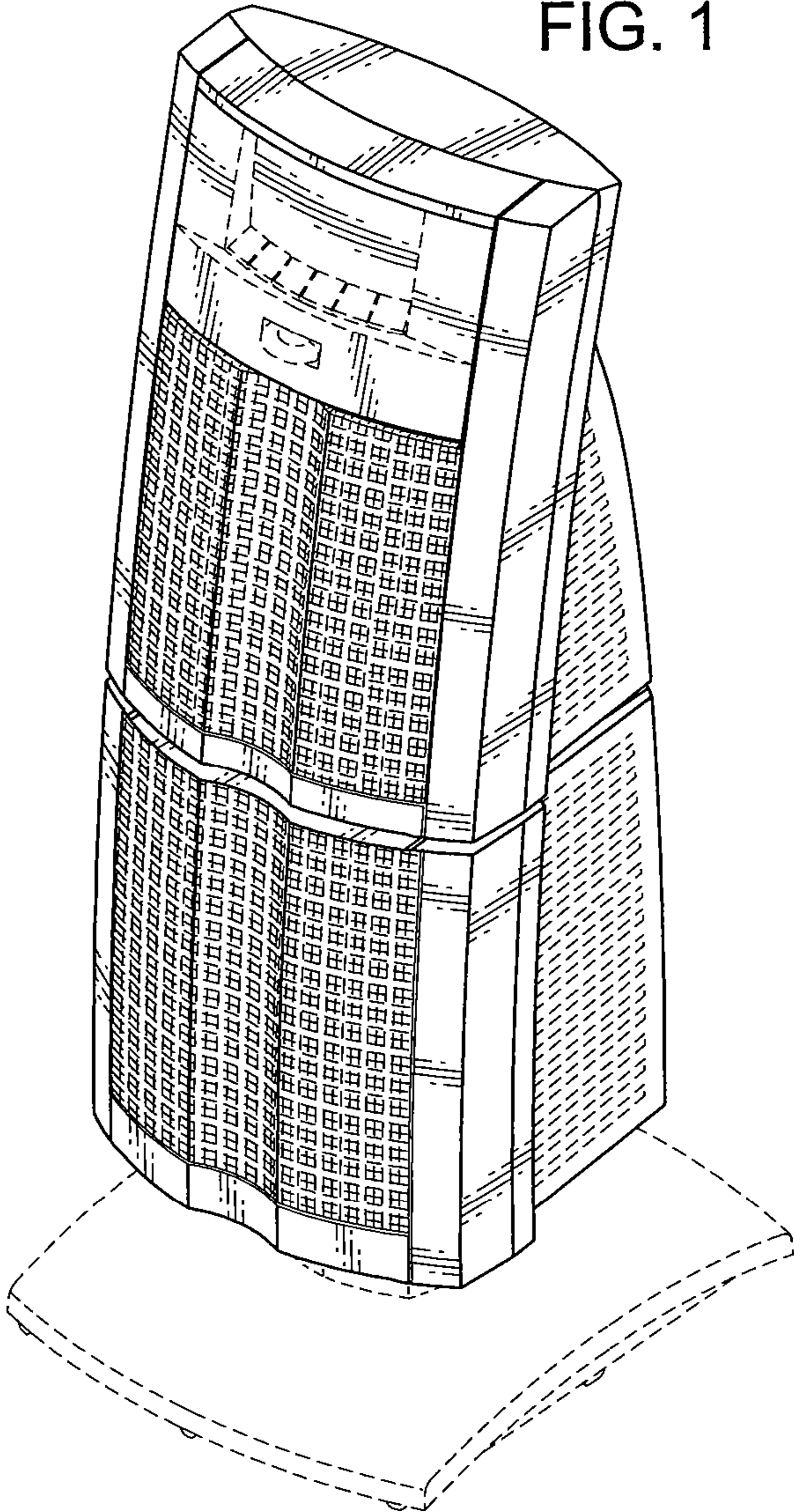


FIG. 6

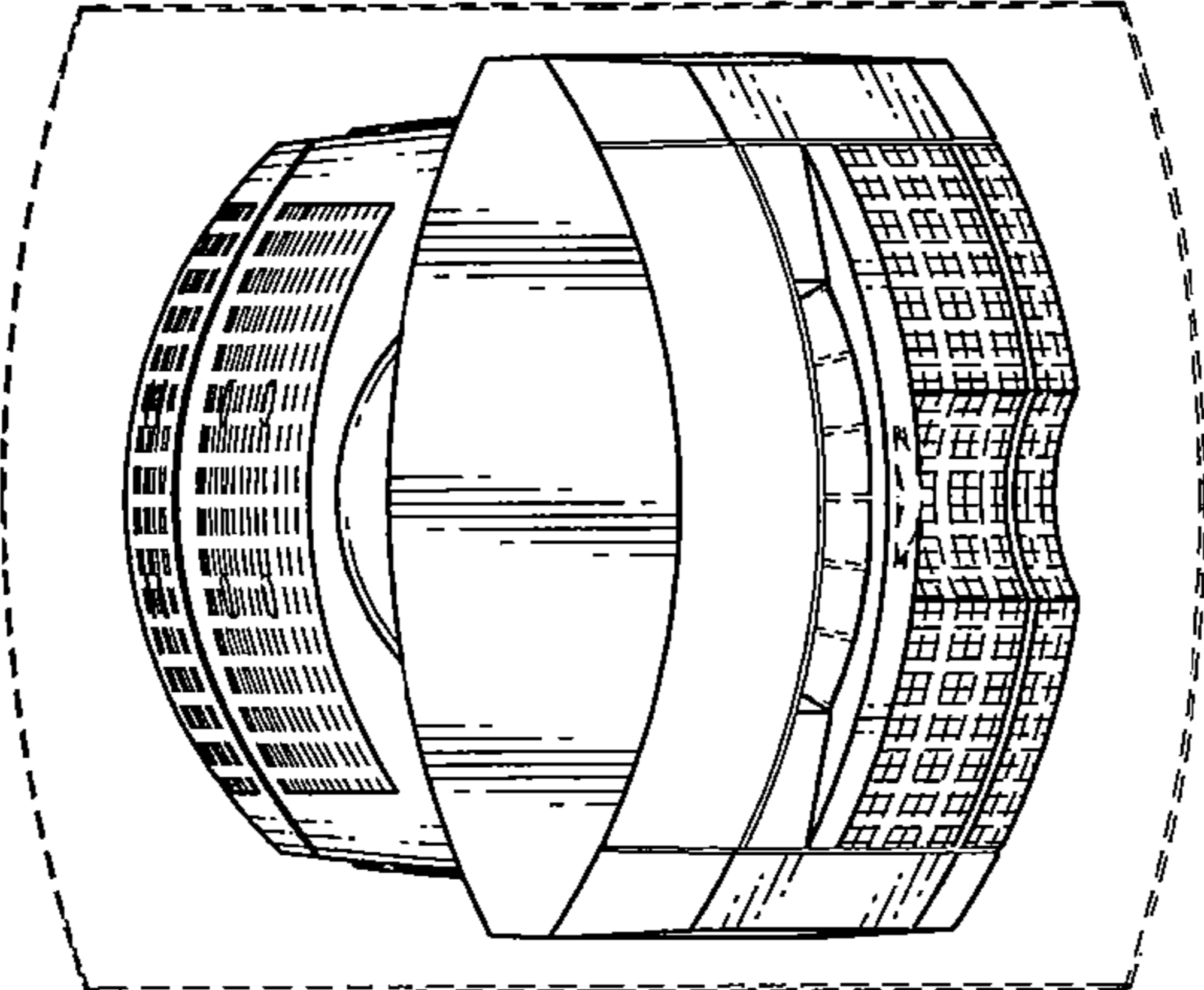


FIG. 2

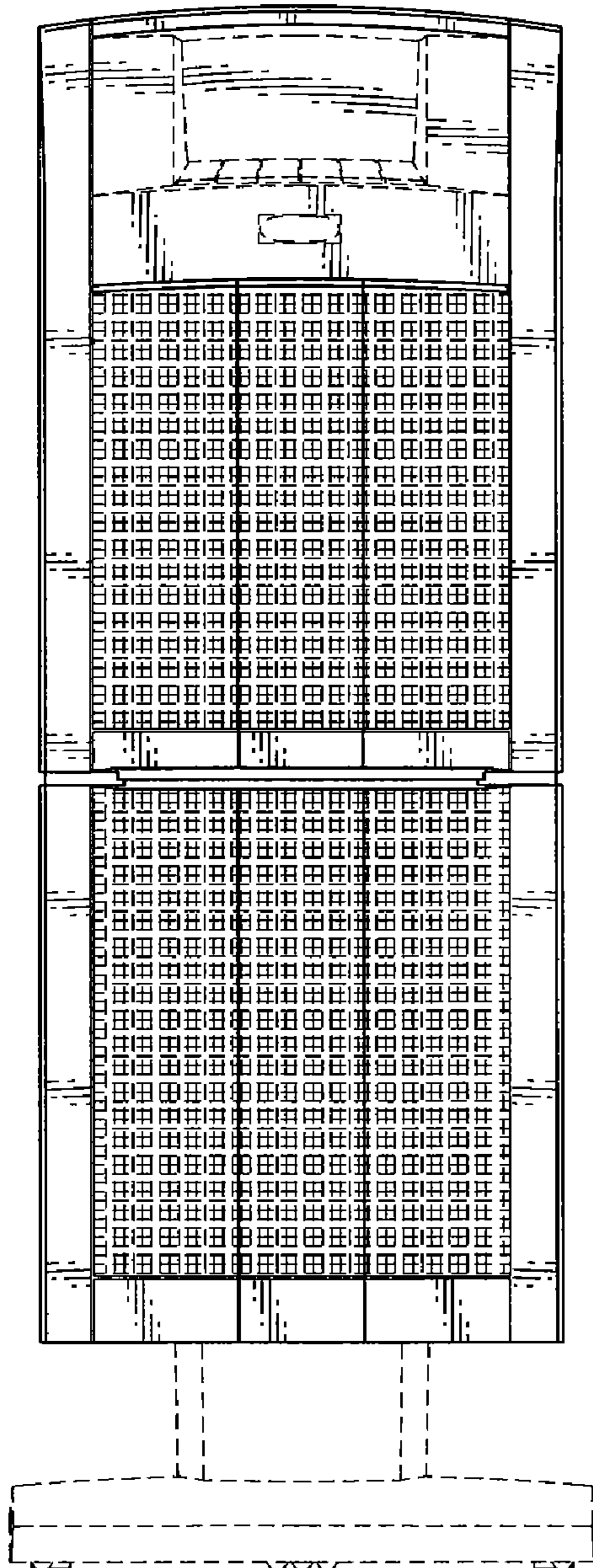


FIG. 3

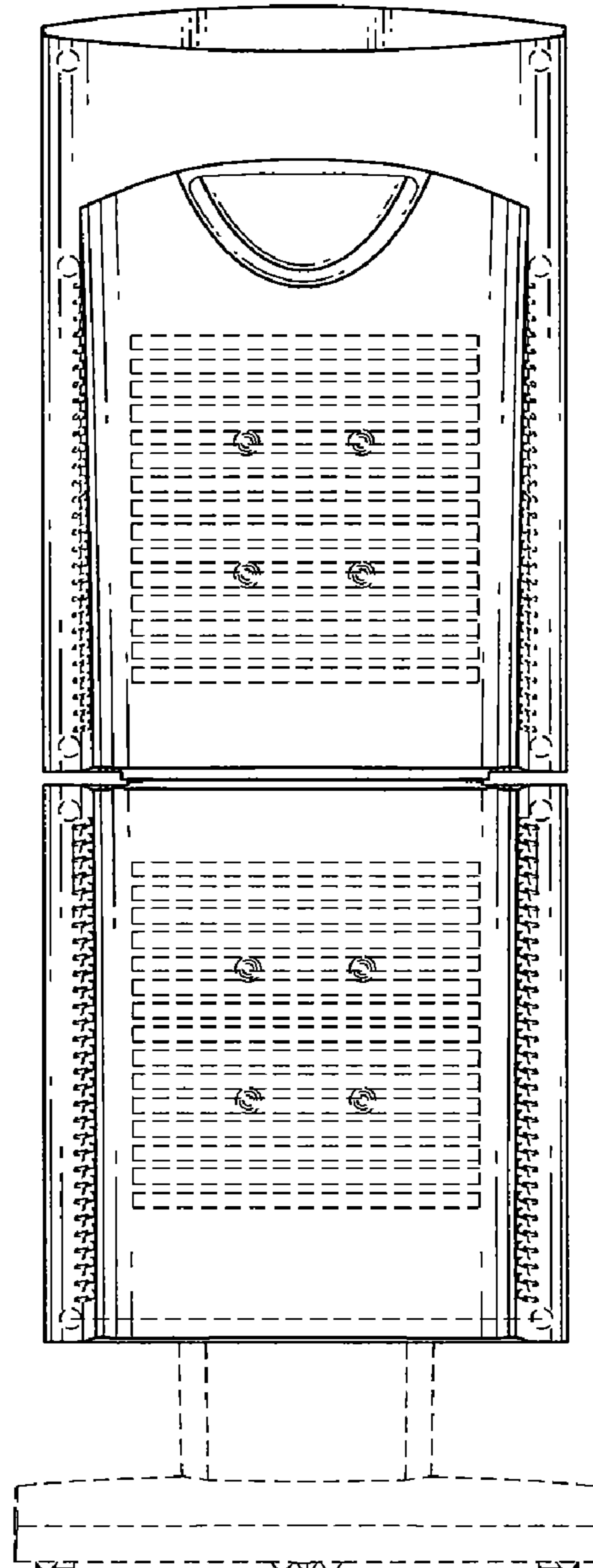


FIG. 4

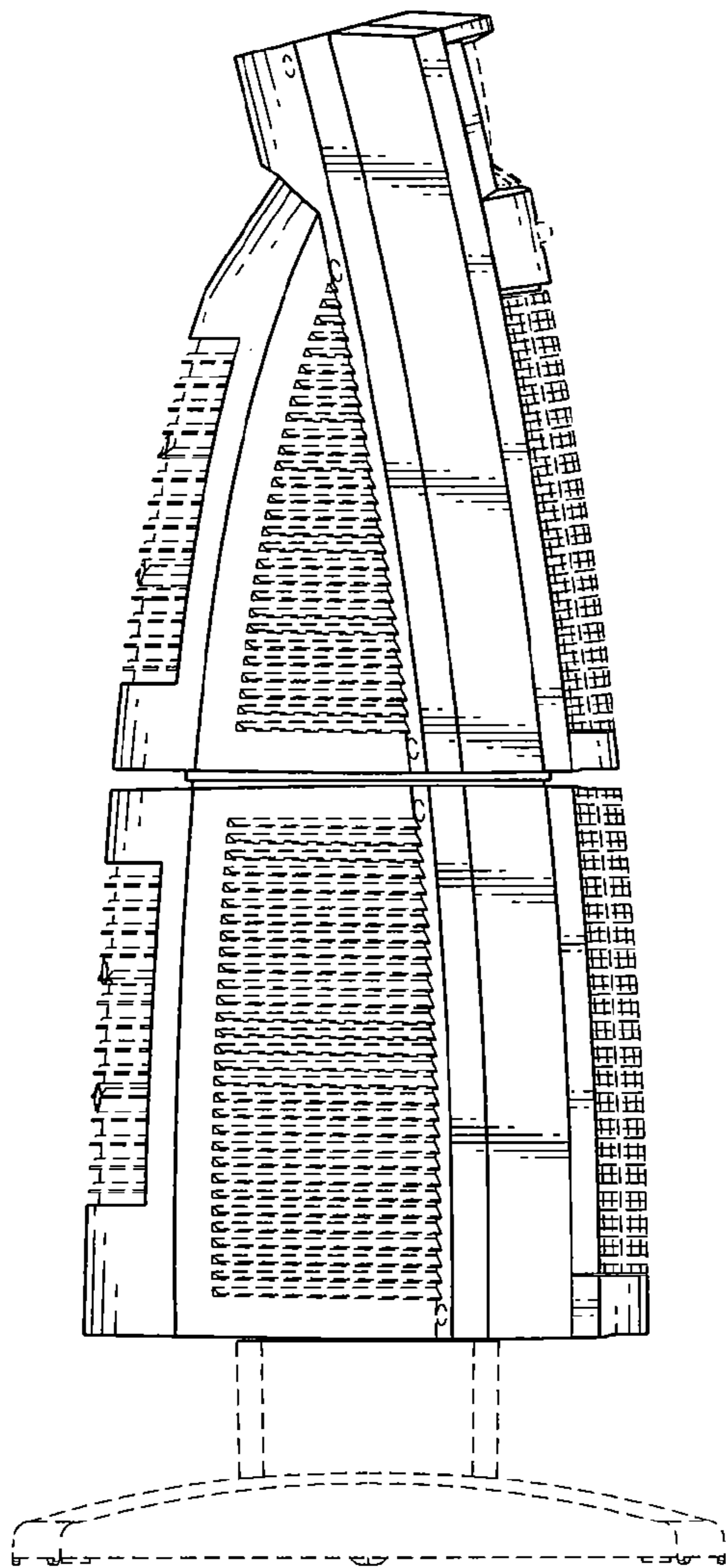


FIG. 5

