



US00D604815S

(12) **United States Design Patent**
Sim

(10) **Patent No.:** **US D604,815 S**

(45) **Date of Patent:** **** Nov. 24, 2009**

(54) **ELECTRIC TANK HEATER**

(75) Inventor: **Robert A. Sim**, Burnaby (CA)

(73) Assignee: **Petrostar Petroleum Corporation** (CA)

(**) Term: **14 Years**

(21) Appl. No.: **29/334,368**

(22) Filed: **Mar. 25, 2009**

(30) **Foreign Application Priority Data**

Sep. 25, 2008 (CA) 128039

(51) **LOC (9) Cl.** **23-03**

(52) **U.S. Cl.** **D23/322; D23/316; D23/318**

(58) **Field of Classification Search** D23/314,
D23/316, 319, 322, 323; 237/62; 122/18.1;
392/457, 394, 398

See application file for complete search history.

(56) **References Cited**

U.S. PATENT DOCUMENTS

1,875,306	A *	8/1932	Williams	392/455
D123,420	S *	11/1940	Rush	D23/316
D130,349	S *	11/1941	Gardner	D23/316
D142,505	S *	10/1945	Warner	D23/316
2,403,670	A *	7/1946	Martin	392/457
D204,721	S *	5/1966	Arak	D23/316
3,979,574	A *	9/1976	Rynard	219/208
D290,289	S *	6/1987	Pressel et al.	D23/316
4,687,905	A *	8/1987	Cunningham et al.	392/498
4,848,616	A *	7/1989	Nozaki	204/196.11
5,293,446	A *	3/1994	Owens et al.	392/449
D346,650	S *	5/1994	Bremer	D23/322

5,335,311	A *	8/1994	Groothuizen	204/196.11
D381,409	S *	7/1997	Fleischer et al.	D23/316
5,835,679	A *	11/1998	Eckman et al.	392/503
5,844,211	A *	12/1998	Henry et al.	219/523
6,124,579	A *	9/2000	Steinhauser et al.	219/544

* cited by examiner

Primary Examiner—T. Chase Nelson

Assistant Examiner—Ania K Dworzecka

(74) *Attorney, Agent, or Firm*—St. Onge Steward Johnston & Reens LLC

(57) **CLAIM**

The ornamental design for an electric tank heater, as shown and described.

DESCRIPTION

FIG. 1 is a perspective view of an electric tank heater illustrating the present design;

FIG. 2 is a top plan view of the electric tank heater shown in FIG. 1;

FIG. 3 is a bottom plan view of the electric tank heater shown in FIG. 1;

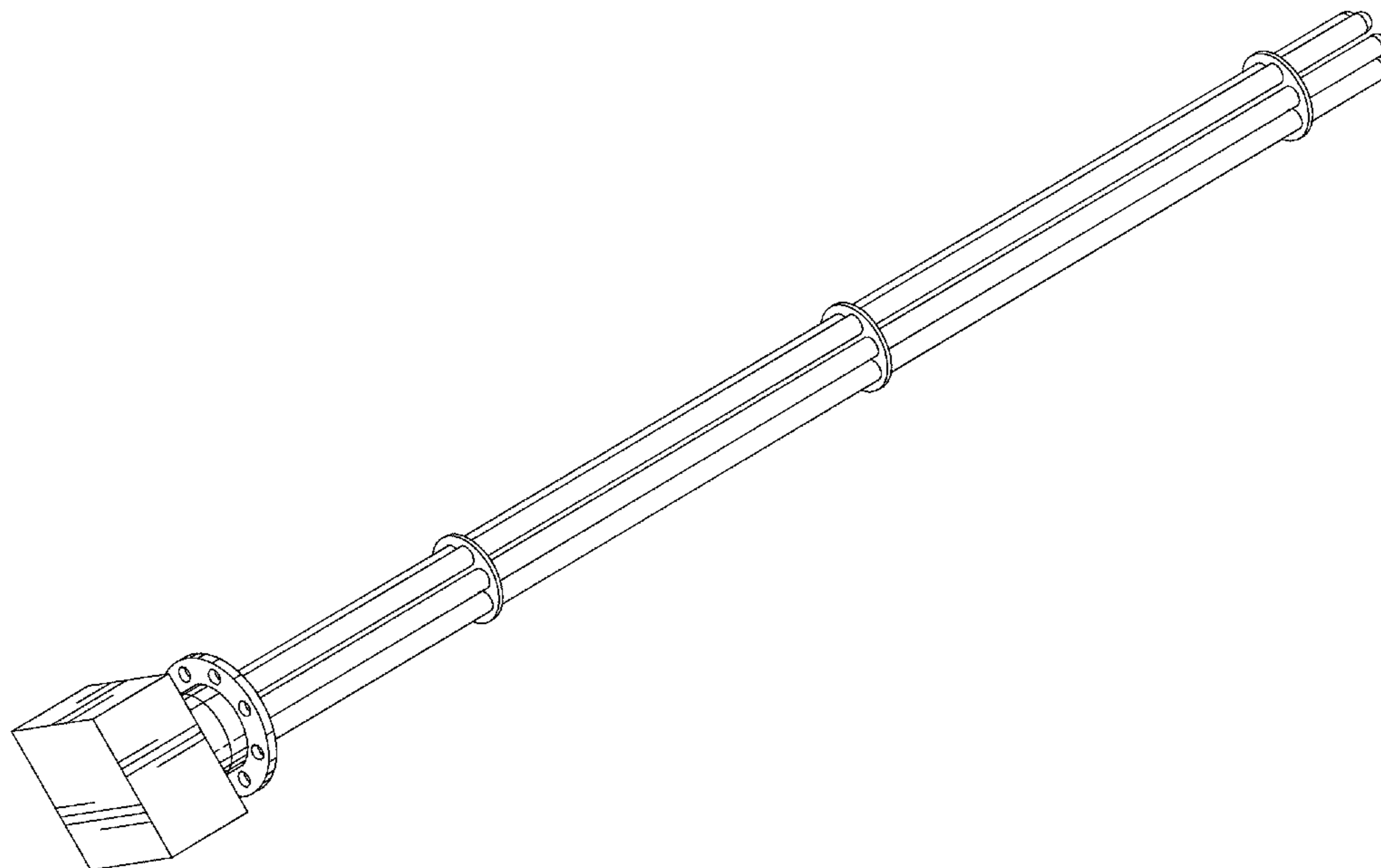
FIG. 4 is a front elevational view of the electric tank heater shown in FIG. 1;

FIG. 5 is a rear elevational view of the electric tank heater shown in FIG. 1;

FIG. 6 is a left side elevational view of the electric tank heater shown in FIG. 1; and,

FIG. 7 is a right side elevational view of the electric tank heater shown in FIG. 1.

1 Claim, 3 Drawing Sheets



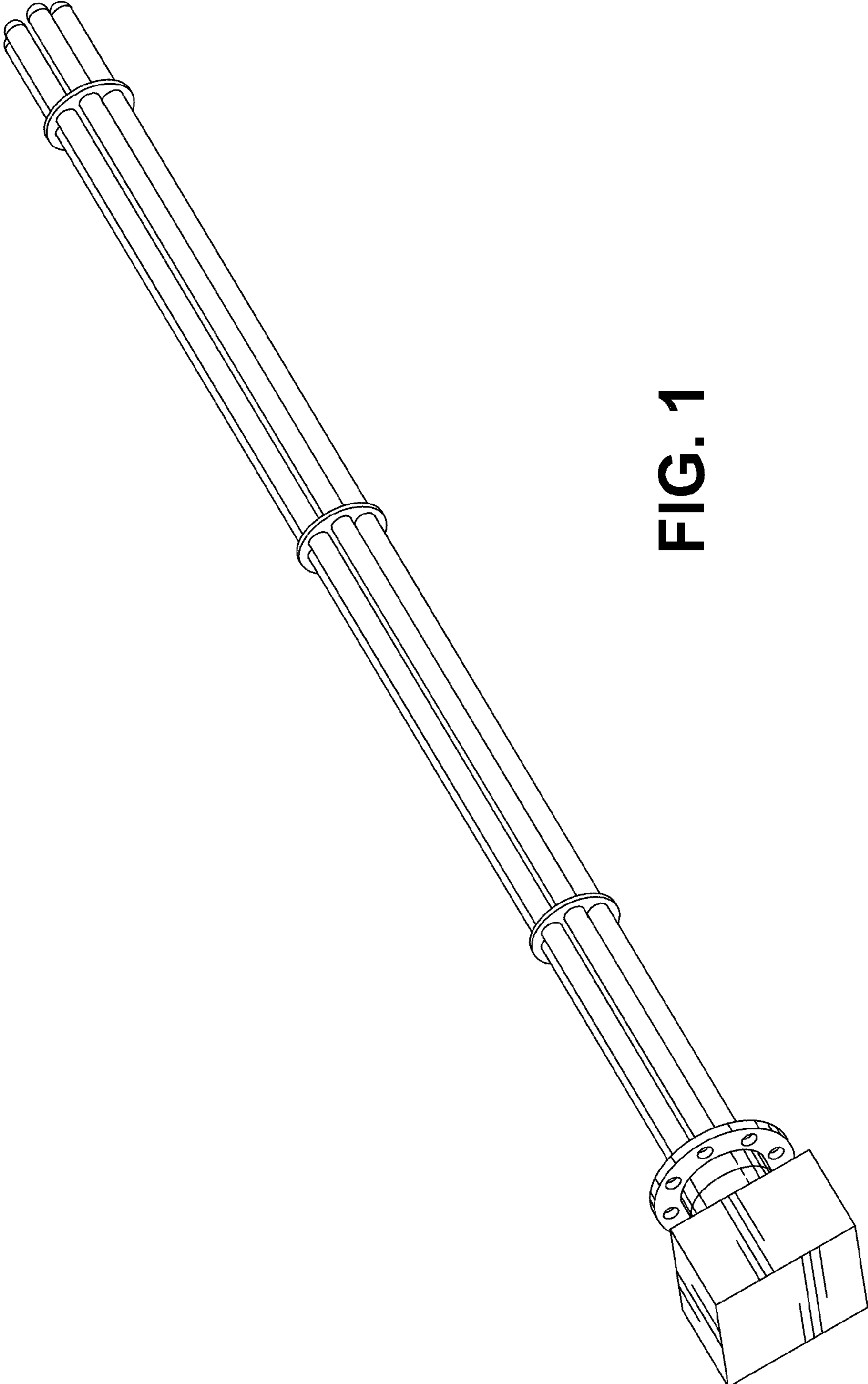


FIG. 1

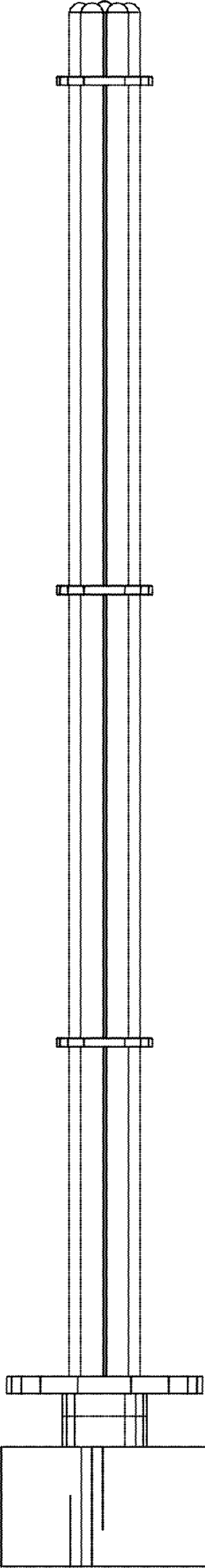


FIG. 2

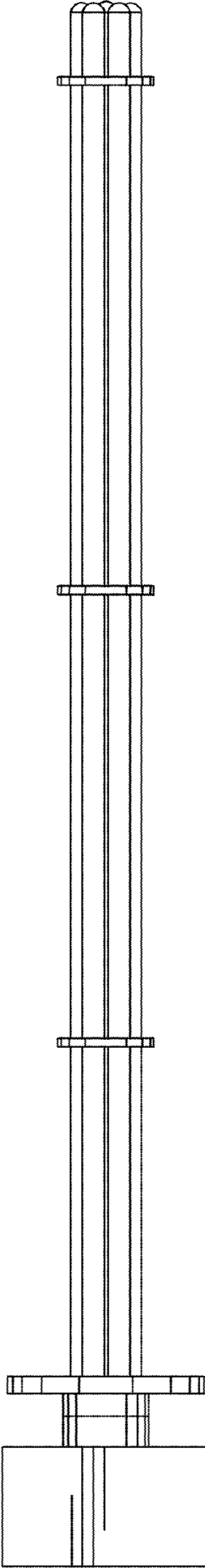


FIG. 3

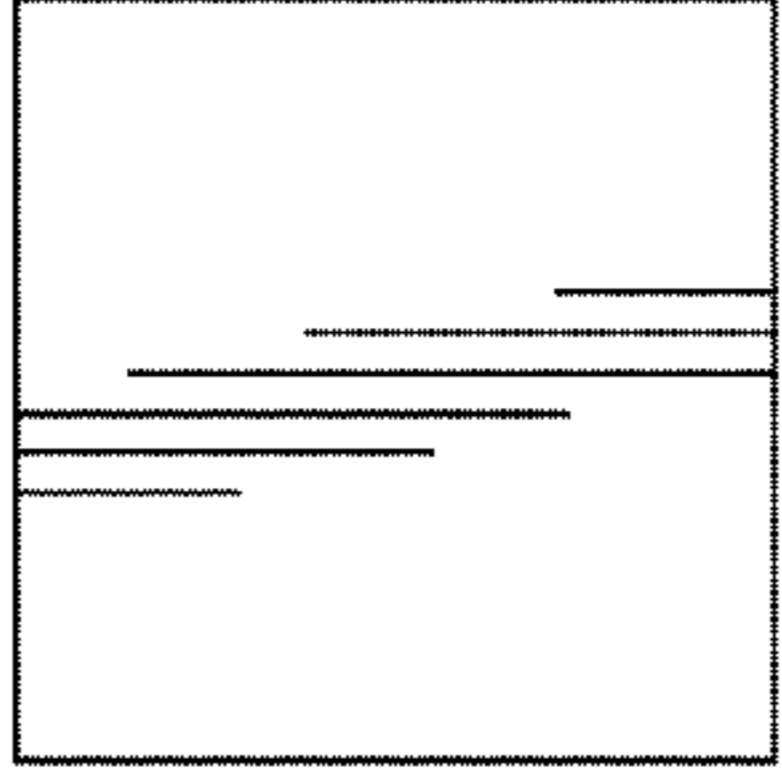


FIG. 4

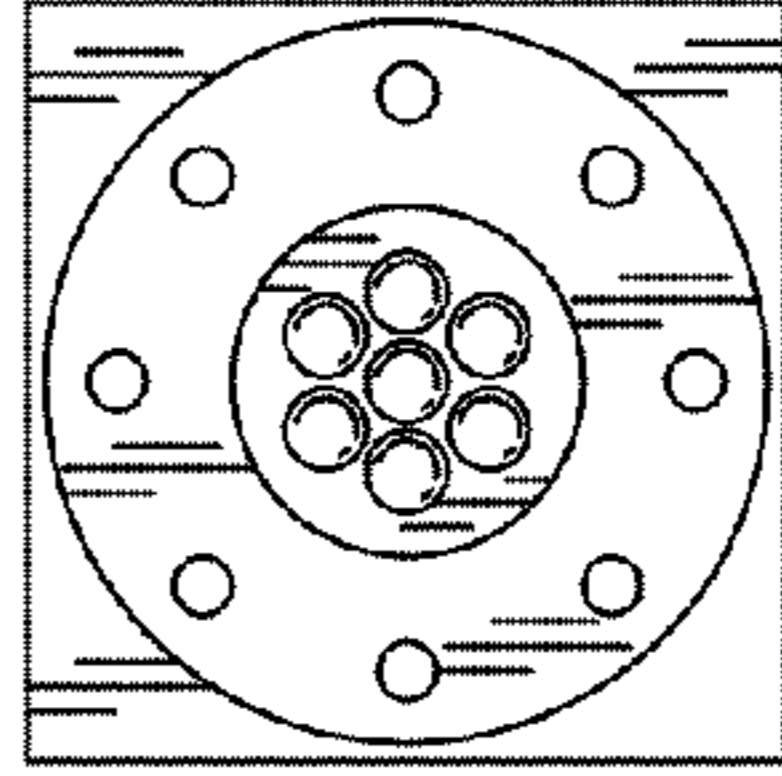


FIG. 5

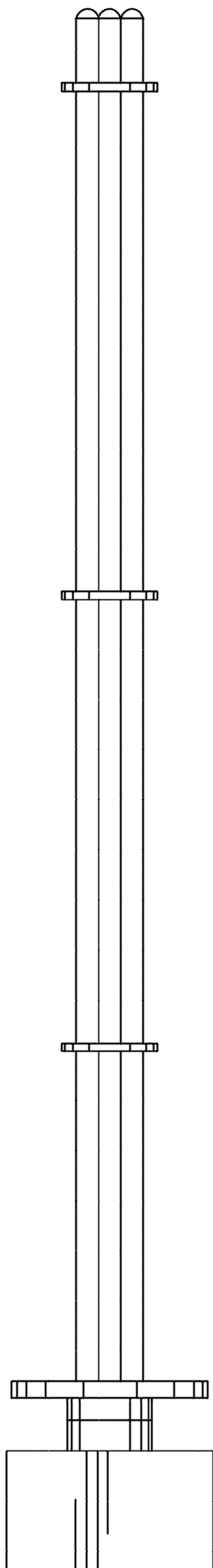


FIG. 6

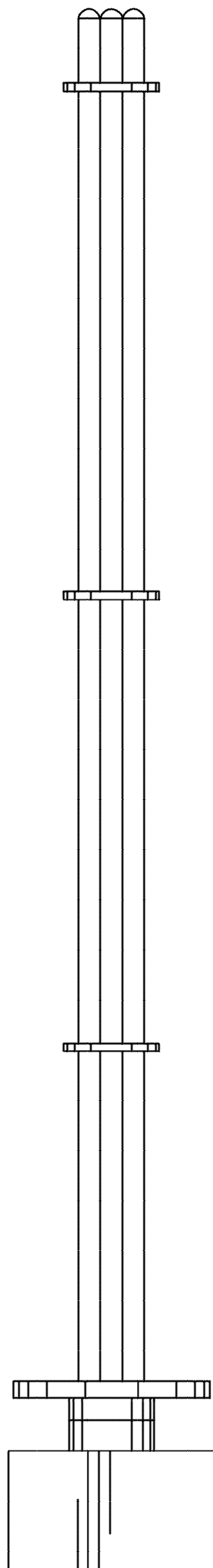


FIG. 7