



US00D604812S

(12) **United States Design Patent**  
**Kuang**

(10) **Patent No.:** **US D604,812 S**

(45) **Date of Patent:** **\*\* Nov. 24, 2009**

(54) **TOILET**

(75) Inventor: **Chunhui Kuang**, Xiamen (CN)

(73) Assignee: **Feiyu Li**, Xiamen (CN)

(\*\*) Term: **14 Years**

(21) Appl. No.: **29/328,282**

(22) Filed: **Nov. 21, 2008**

(30) **Foreign Application Priority Data**

May 20, 2008 (CN) ..... 2008 3 0126552

(51) **LOC (9) Cl.** ..... **23-02**

(52) **U.S. Cl.** ..... **D23/295**

(58) **Field of Classification Search** ..... D23/273-274,  
D23/295-301, 309; 4/663-664, 300, 329,  
4/353, 420, 443, 449, 902

See application file for complete search history.

(56) **References Cited**

**U.S. PATENT DOCUMENTS**

D271,690 S \* 12/1983 Strobel ..... D23/301

D489,437 S \* 5/2004 Song ..... D23/301  
D501,917 S \* 2/2005 Garza ..... D23/301  
D586,896 S \* 2/2009 Toyohara ..... D23/301

\* cited by examiner

*Primary Examiner*—Robert A Delehanty

(74) *Attorney, Agent, or Firm*—Lucas & Mercanti, LLP

(57) **CLAIM**

The ornamental design for a toilet, substantially as shown and described.

**DESCRIPTION**

FIG. 1 is a right side elevational view of a toilet showing the new design.

FIG. 2 is a right-back side perspective view thereof.

FIG. 3 is a front side plan view thereof.

FIG. 4 is a back side plan view thereof.

FIG. 5 is a right side plan view thereof; and,

FIG. 6 is a top plan view thereof.

**1 Claim, 6 Drawing Sheets**



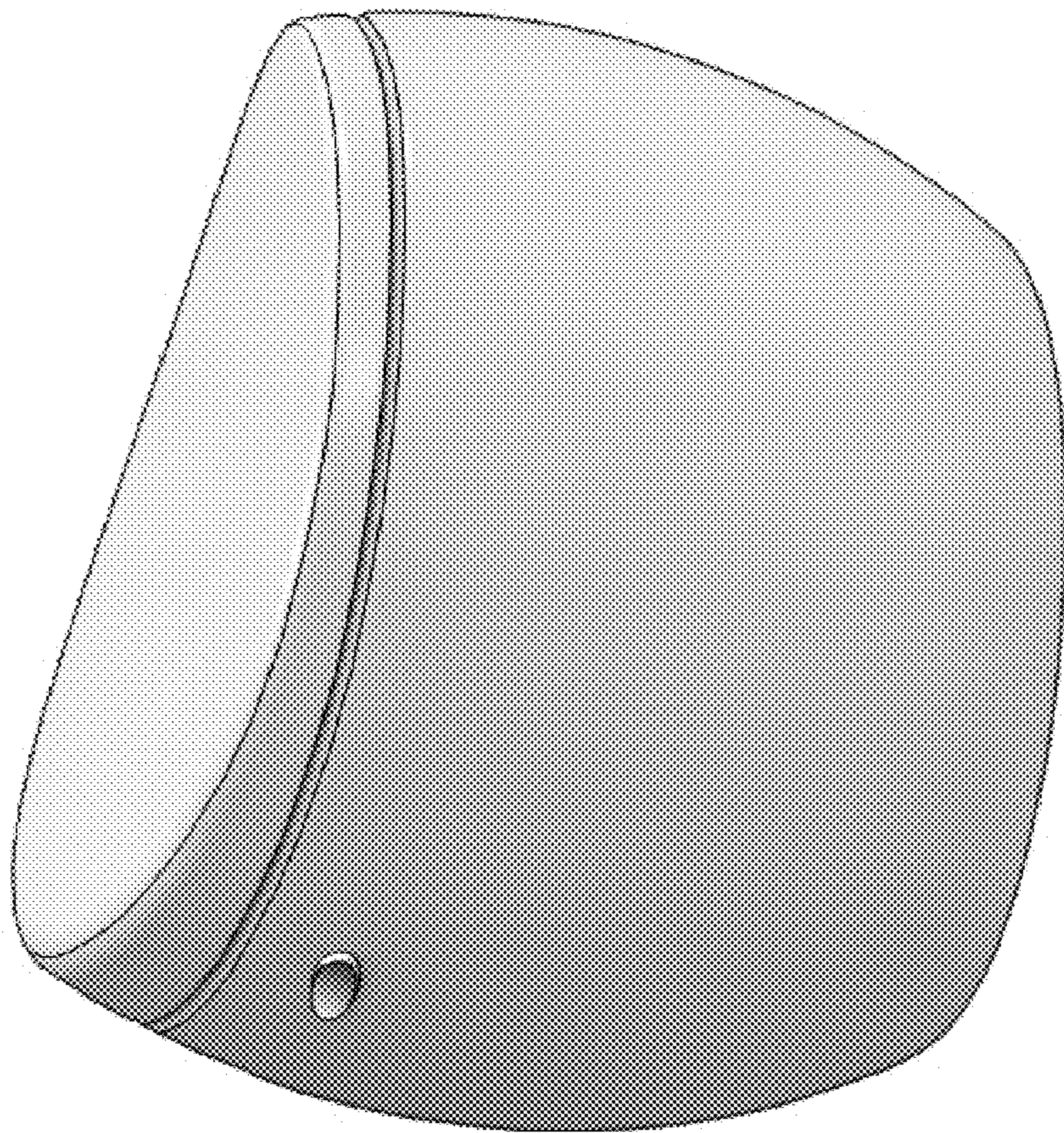


FIG.1

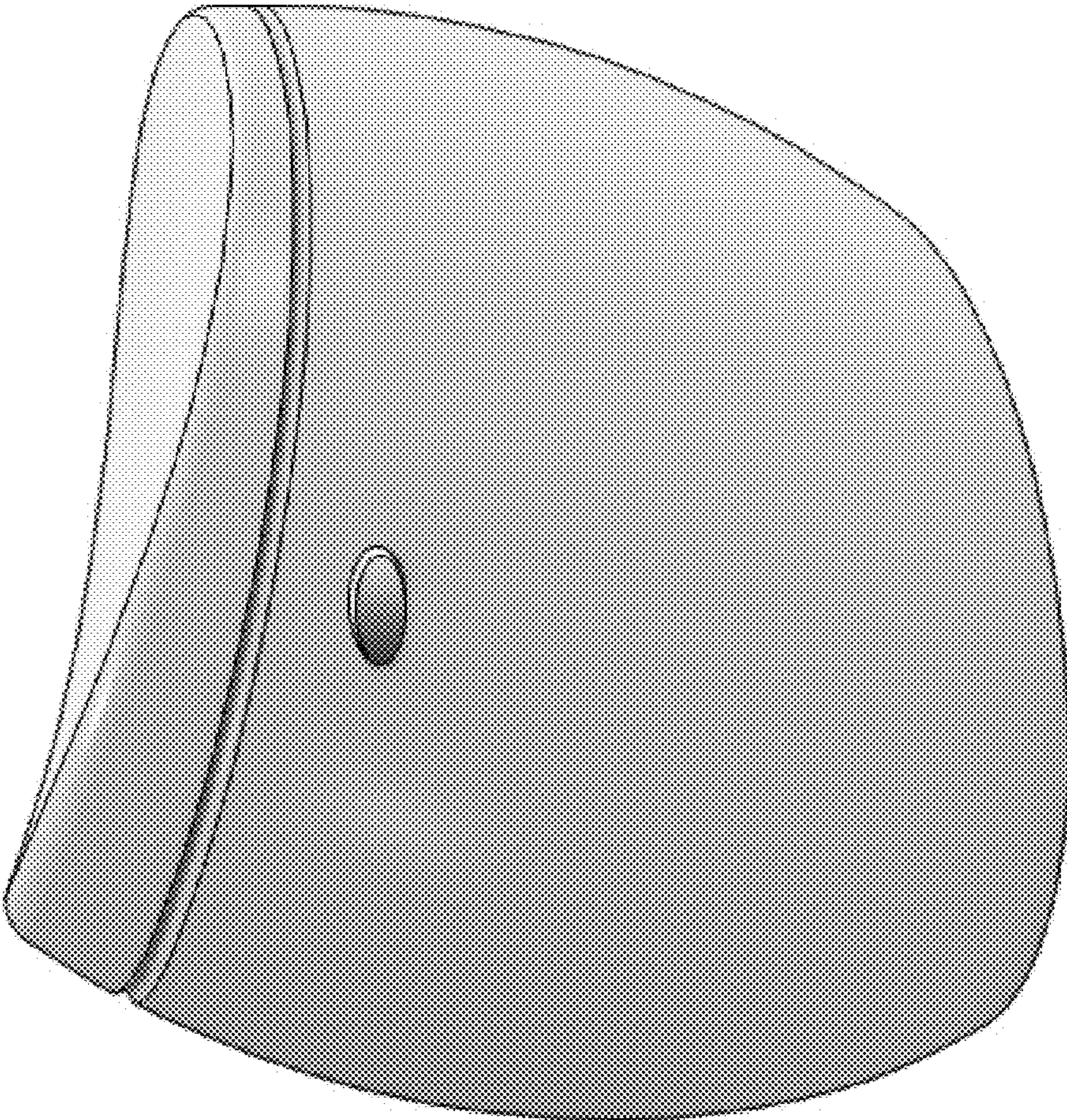


FIG.2

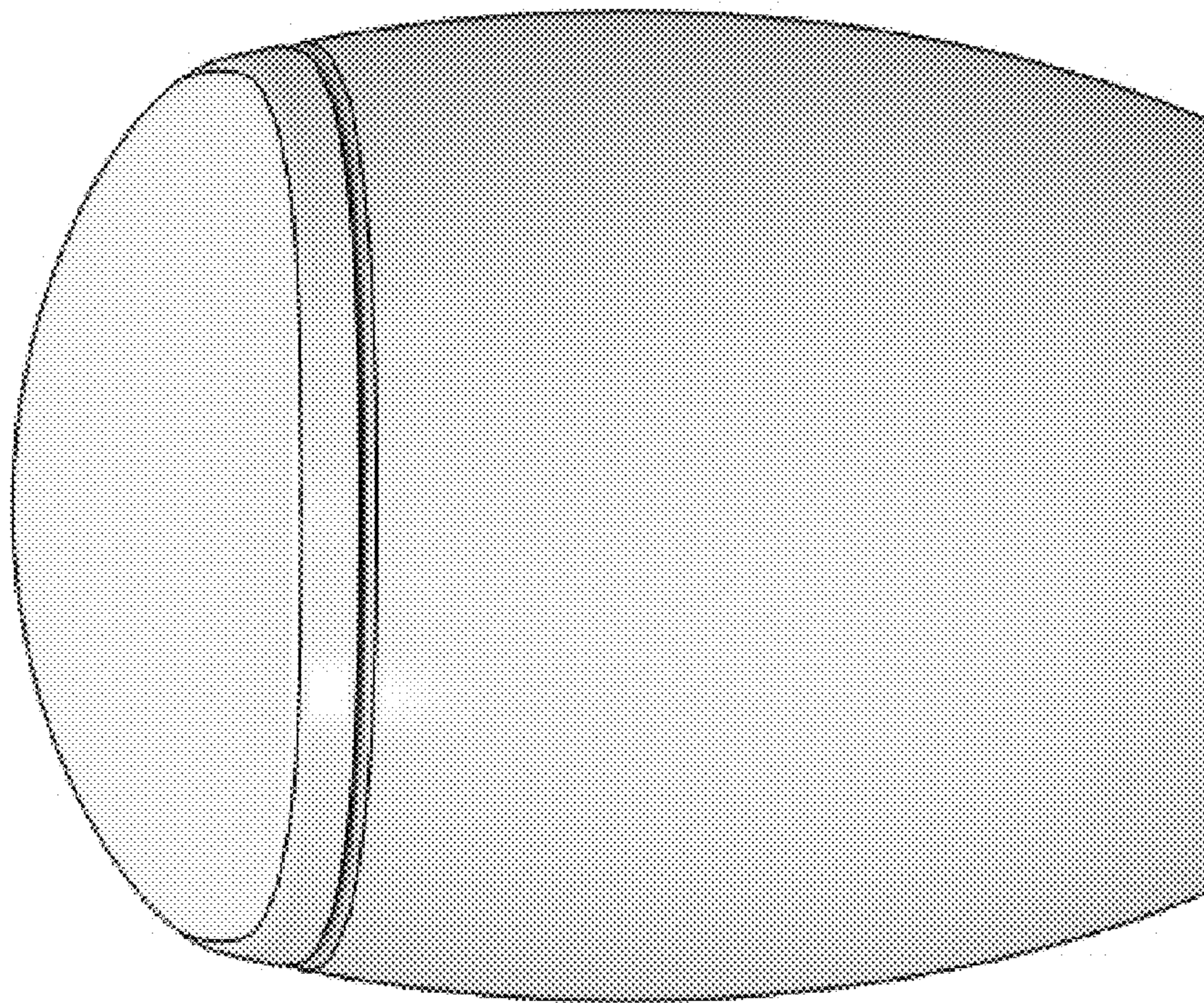


FIG. 3

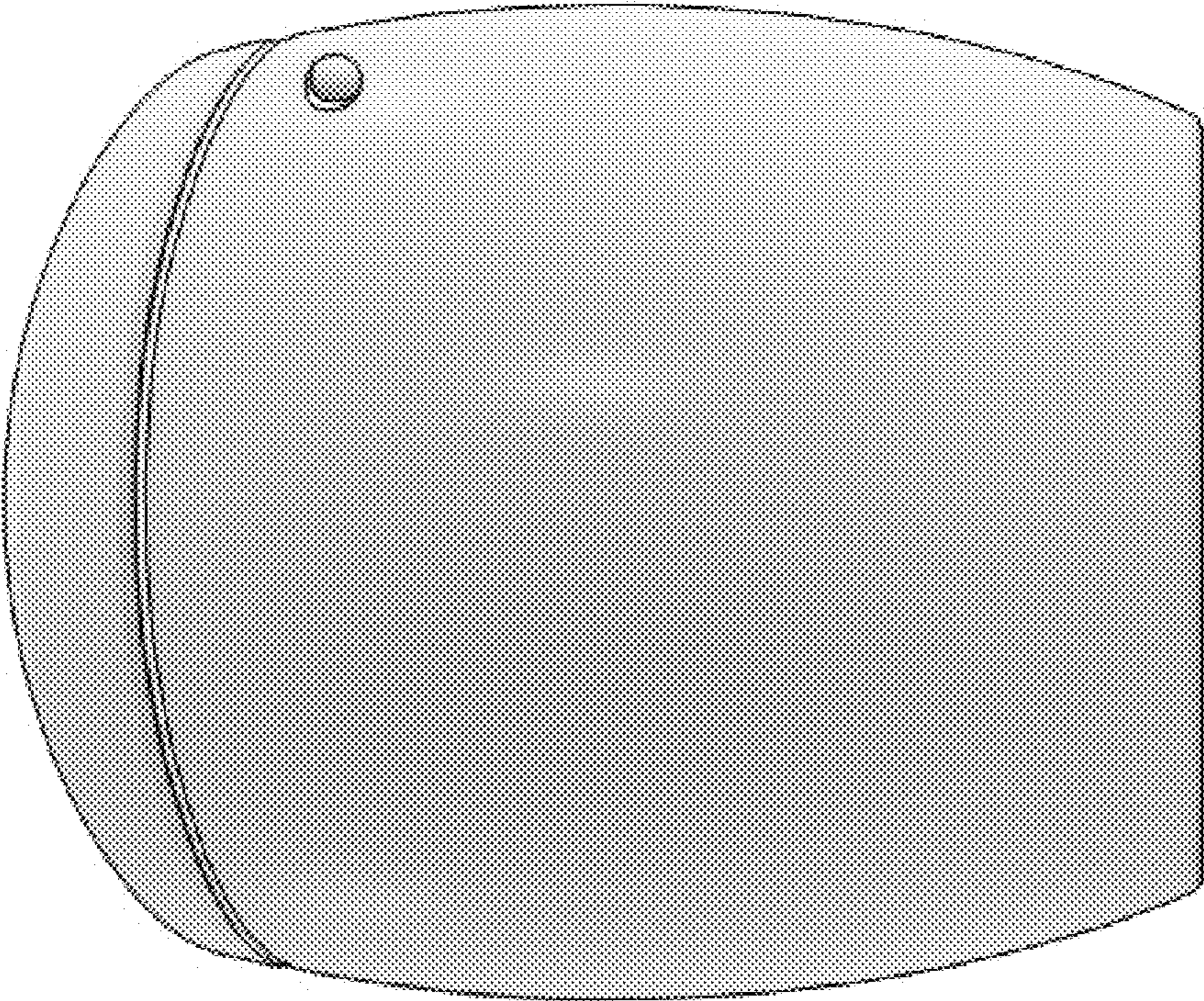


FIG.4

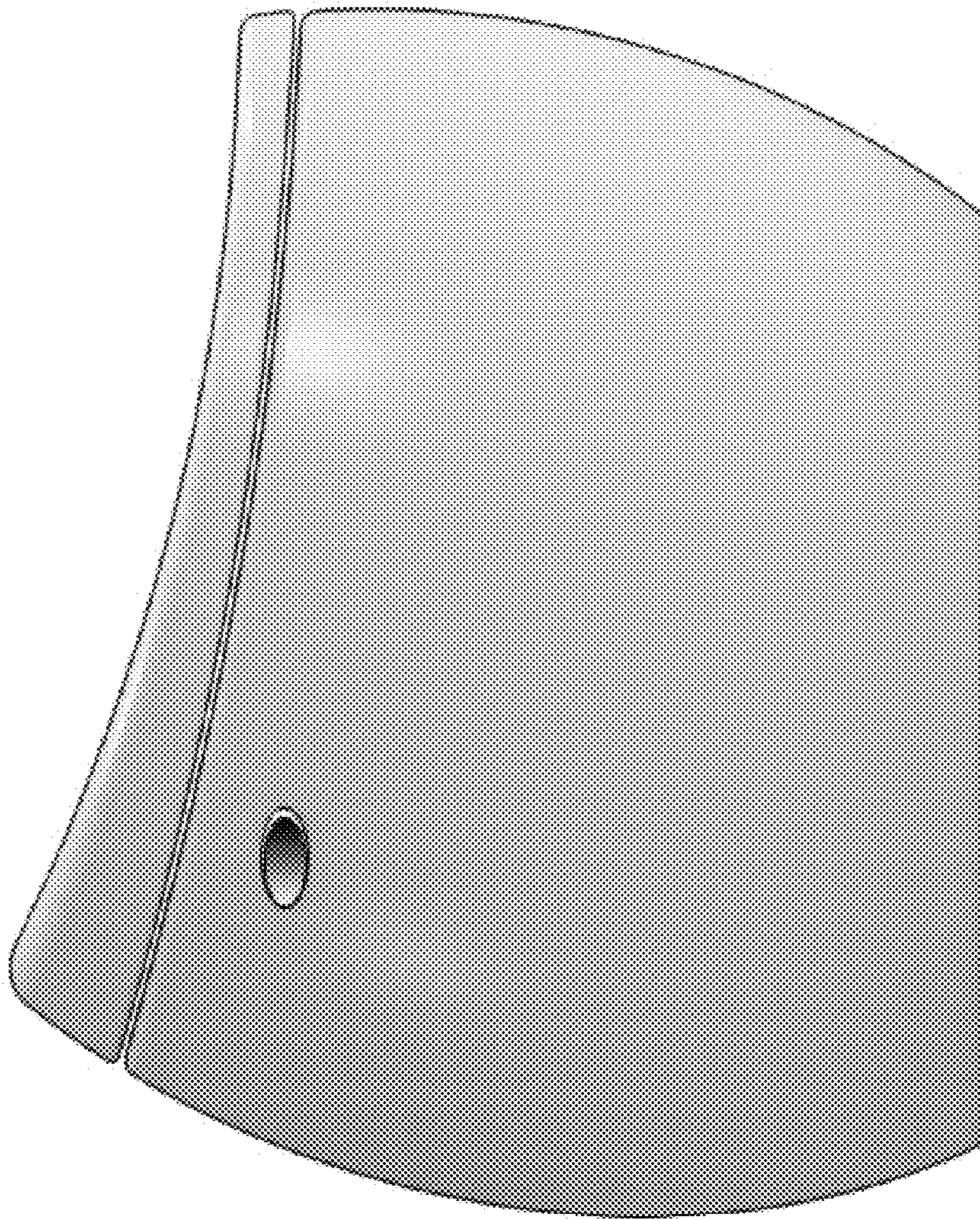


FIG. 5

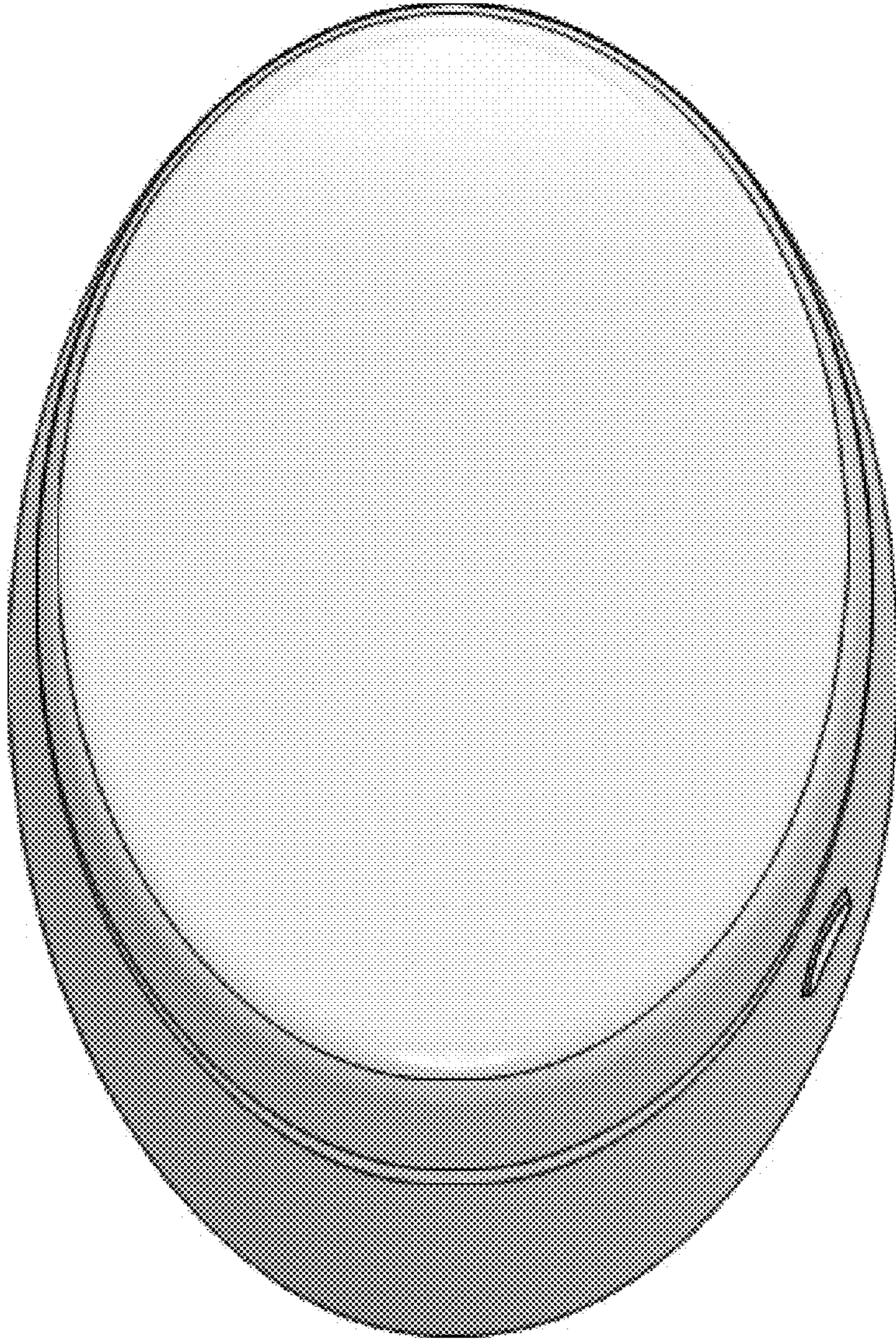


FIG. 6