



US00D604810S

(12) **United States Design Patent**  
**Lin**

(10) **Patent No.:** **US D604,810 S**

(45) **Date of Patent:** **\*\* Nov. 24, 2009**

(54) **HOSE**

2008/0072983 A1\* 3/2008 Wu ..... 138/118

(76) Inventor: **Ting-I Lin**, 5F, No. 92-1, Chong-Hsin Road, Chan-Hwa City (TW)

\* cited by examiner

*Primary Examiner*—T. Chase Nelson  
*Assistant Examiner*—Eric L Goodman

(\*\*) Term: **14 Years**

(21) Appl. No.: **29/317,579**

(57) **CLAIM**

(22) Filed: **May 2, 2008**

The ornamental design for a hose, as shown and described.

(51) **LOC (9) Cl.** ..... **23-01**

**DESCRIPTION**

(52) **U.S. Cl.** ..... **D23/266**

FIG. 1 is a perspective view of a Hose showing my new design;

(58) **Field of Classification Search** ..... D23/259–269;

FIG. 2 is a front elevational view thereof;

138/118–118.1, 126, 128, 157; 285/124.1–124.5

FIG. 3 is a rear elevational view thereof;

See application file for complete search history.

FIG. 4 is a left elevational view thereof;

(56) **References Cited**

FIG. 5 is a right elevational view thereof;

U.S. PATENT DOCUMENTS

FIG. 6 is a top view thereof; and,

5,105,854 A \* 4/1992 Cole et al. .... 138/109

FIG. 7 is a bottom view.

D373,410 S \* 9/1996 Diaz ..... D23/266

The portion of the hose shown broken away is to indicate that no specific length of hose is claimed. The broken line showing is included for the purpose of illustrating portions of the article that form no part of the claimed design.

5,682,925 A \* 11/1997 Seckel ..... 138/118

D475,439 S \* 6/2003 Lin ..... D23/266

6,692,037 B1 \* 2/2004 Lin ..... 285/124.1

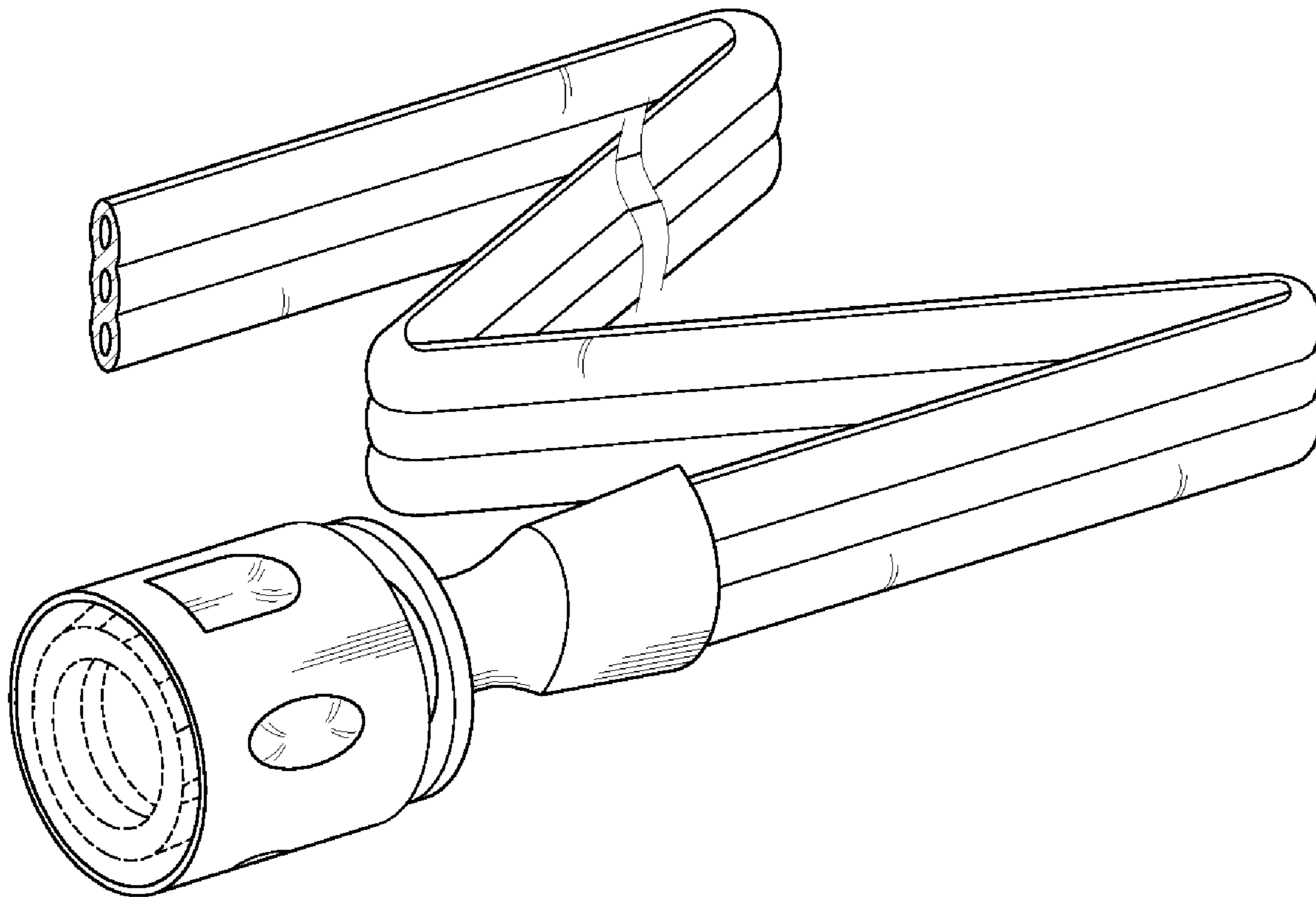
D498,825 S \* 11/2004 Fu ..... D23/266

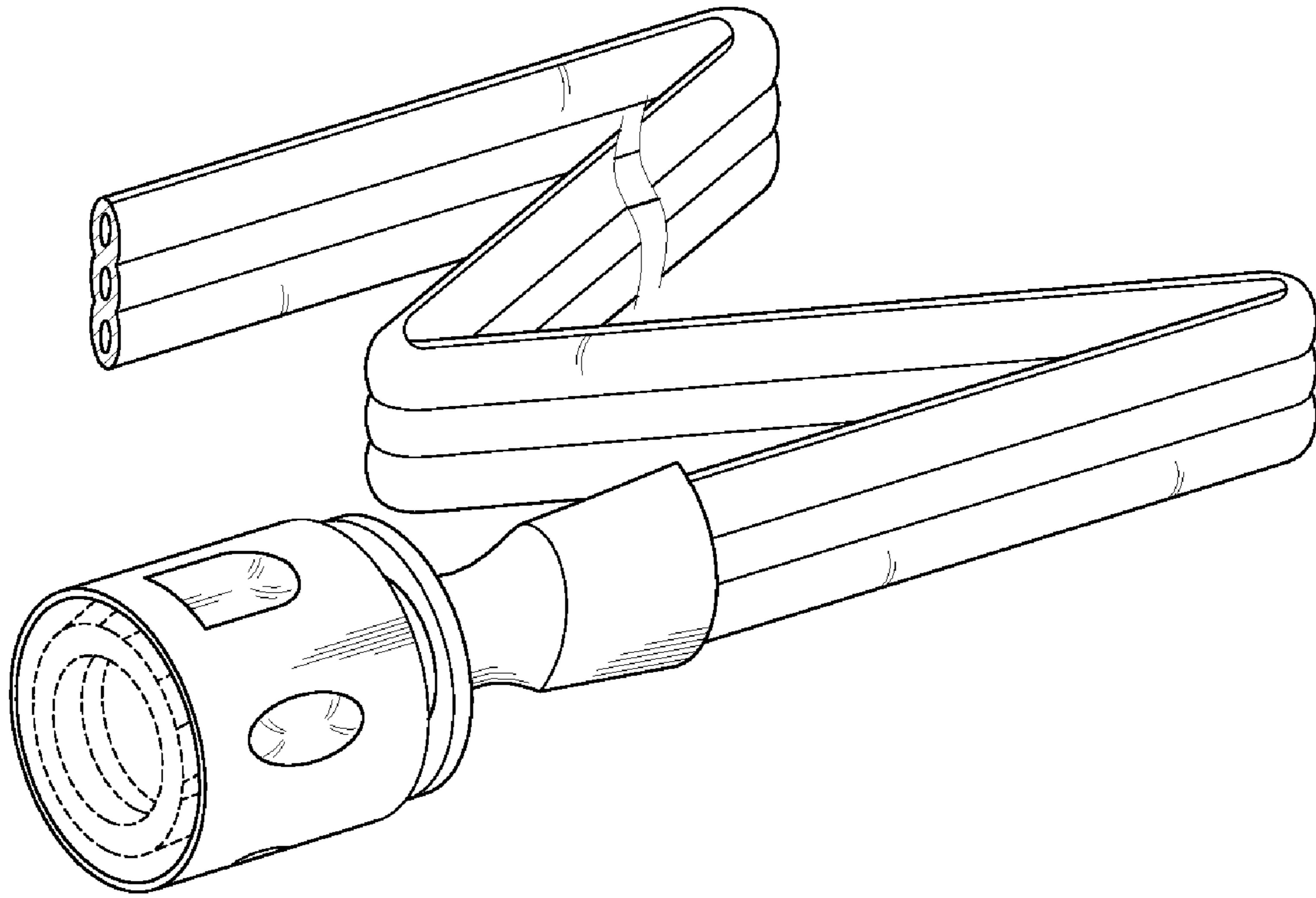
6,910,505 B2 \* 6/2005 Weck et al. .... 138/109

7,367,101 B2 \* 5/2008 Takahashi et al. .... 29/460

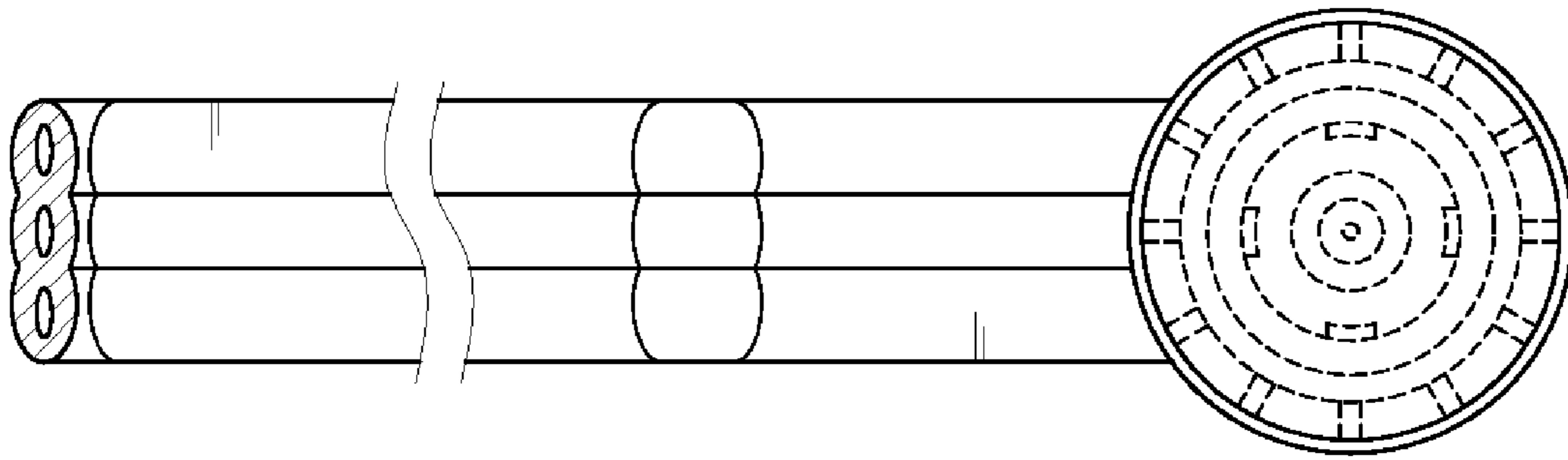
7,422,035 B2 \* 9/2008 Wu ..... 138/118

**1 Claim, 7 Drawing Sheets**

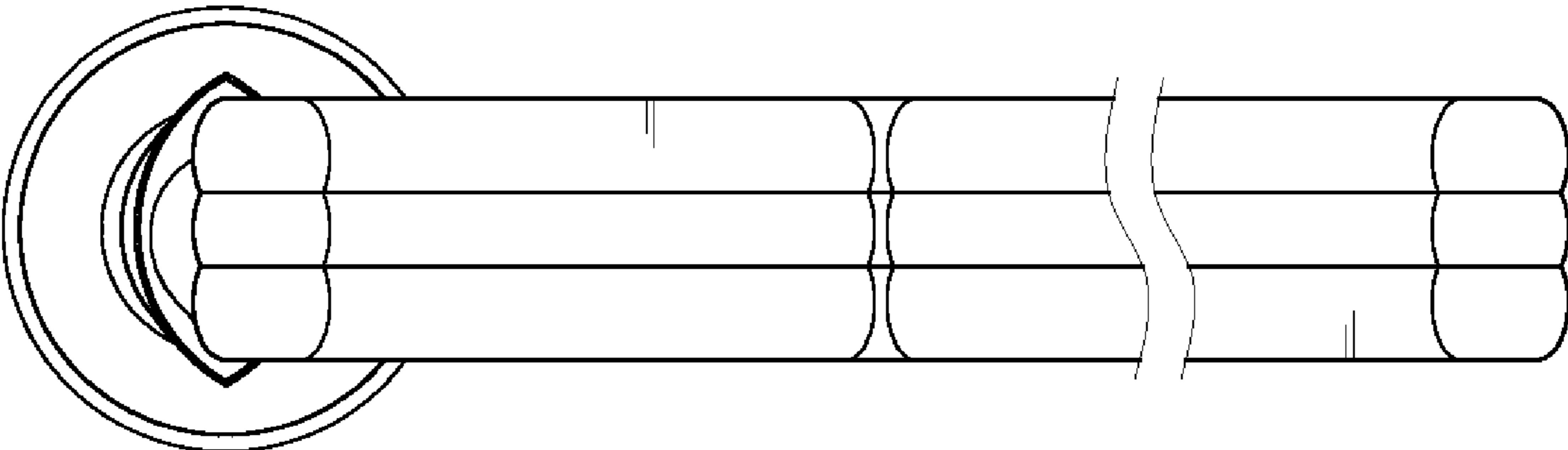




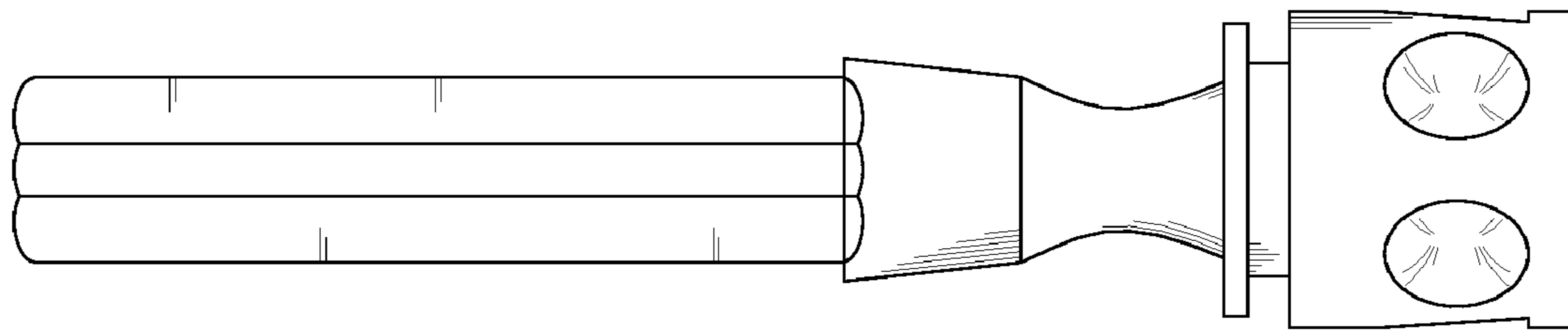
**FIG. 1**



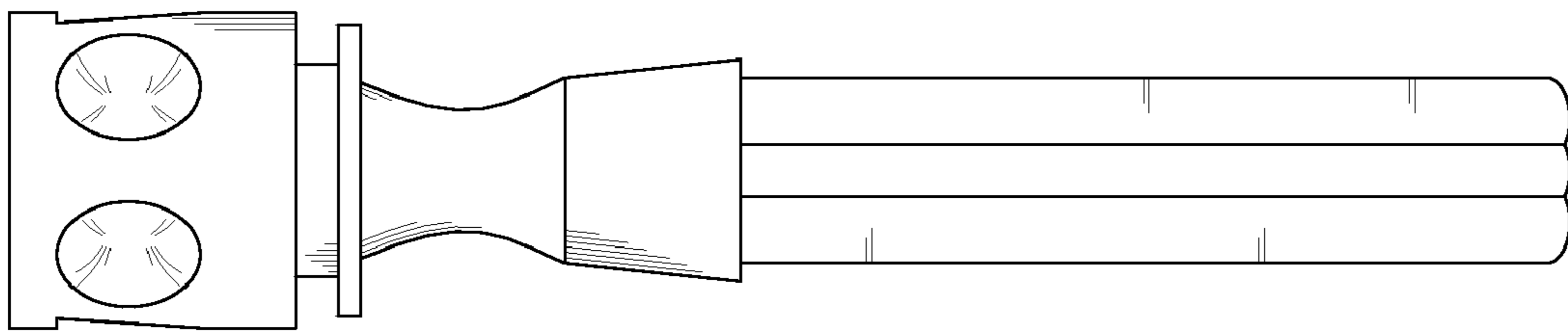
**FIG. 2**



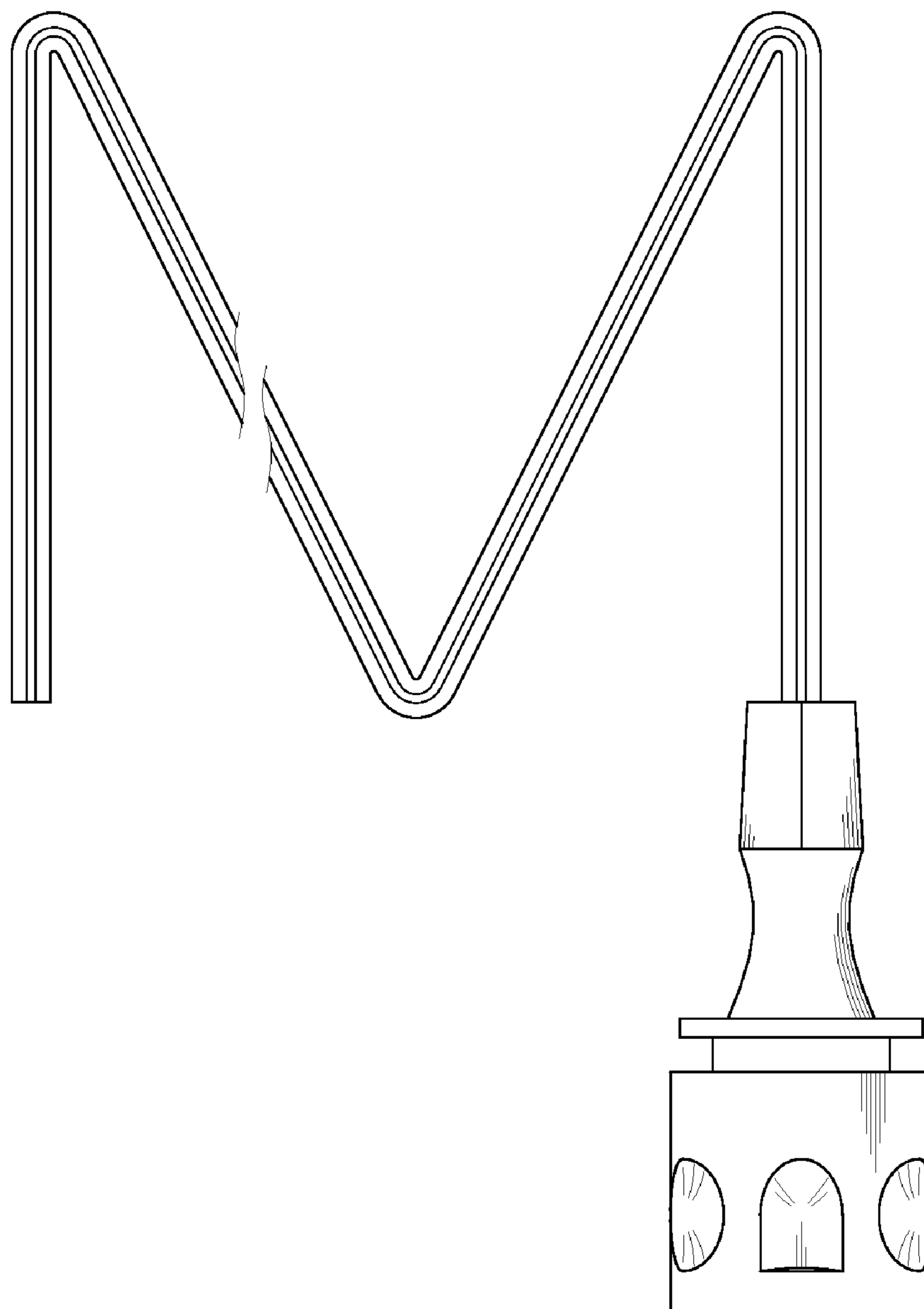
**FIG. 3**



**FIG. 4**



**FIG. 5**



**FIG. 6**

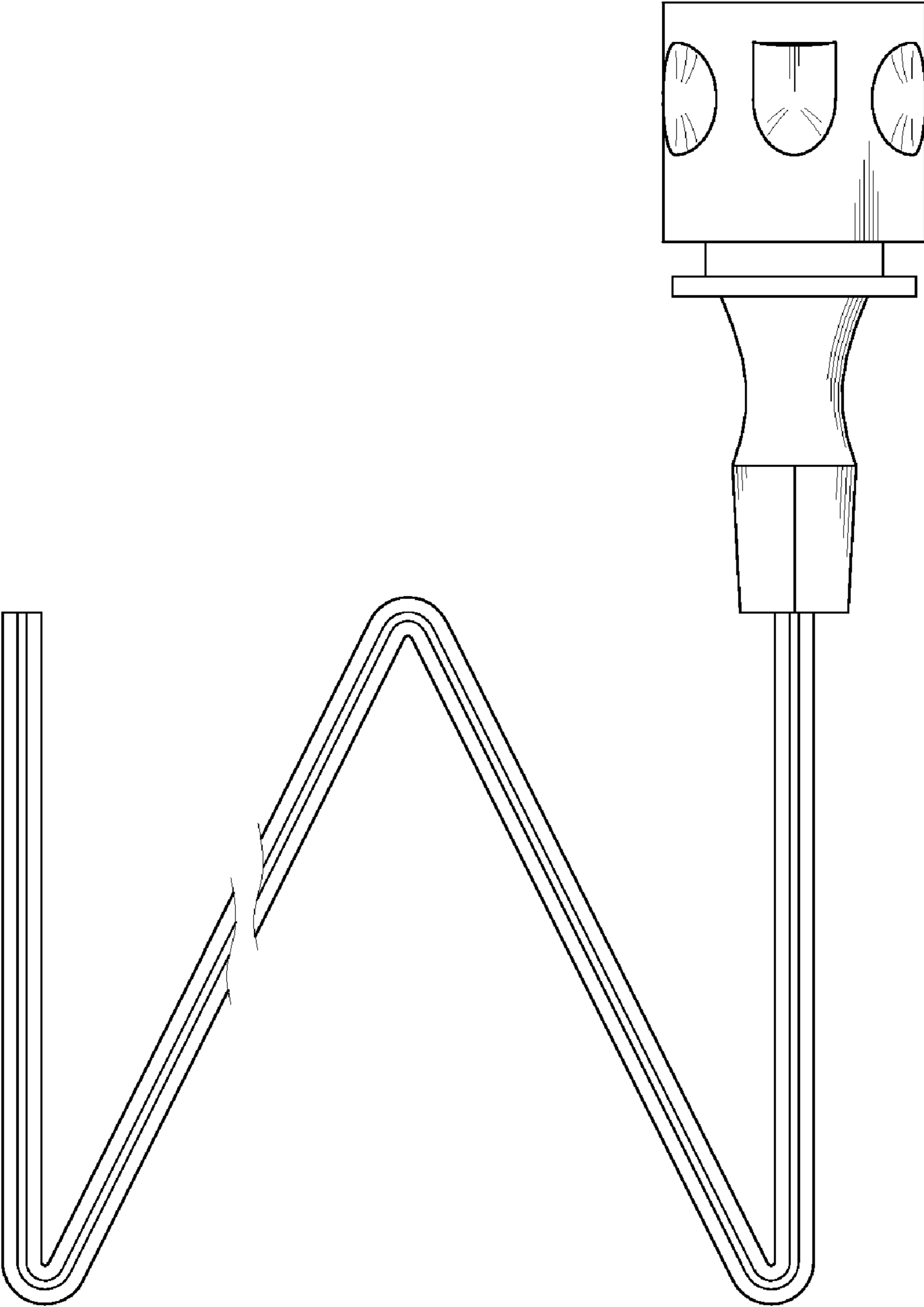


FIG. 7