



US00D604809S

(12) **United States Design Patent**
Mannella

(10) **Patent No.:** **US D604,809 S**

(45) **Date of Patent:** **** Nov. 24, 2009**

(54) **DRAIN STOPPER WITH ELEVATED DRAINAGE OPENINGS**

Primary Examiner—T. Chase Nelson
Assistant Examiner—Eric L Goodman

(76) Inventor: **Dominic Mannella**, 2421 Forest Meadow Cir., Minnetonka, MN (US) 55305

(57) **CLAIM**

The ornamental design of “drain stopper with elevated drainage openings,” is substantially as shown and described.

(**) Term: **14 Years**

(21) Appl. No.: **29/307,200**

DESCRIPTION

(22) Filed: **Apr. 4, 2008**

FIG. 1 is a view from the upper and left perspective of “drain stopper with elevated drainage openings” showing my new design.

(51) **LOC (9) Cl.** **23-01**

(52) **U.S. Cl.** **D23/260**

FIG. 2 is a top view thereof.

(58) **Field of Classification Search** D23/259–269;
4/286–295, 679–694, 596–614

FIG. 3 is a bottom view thereof.

See application file for complete search history.

FIG. 4 is a front side view thereof.

FIG. 5 is a back side view thereof.

(56) **References Cited**

U.S. PATENT DOCUMENTS

D167,285 S * 7/1952 Schmid D23/261

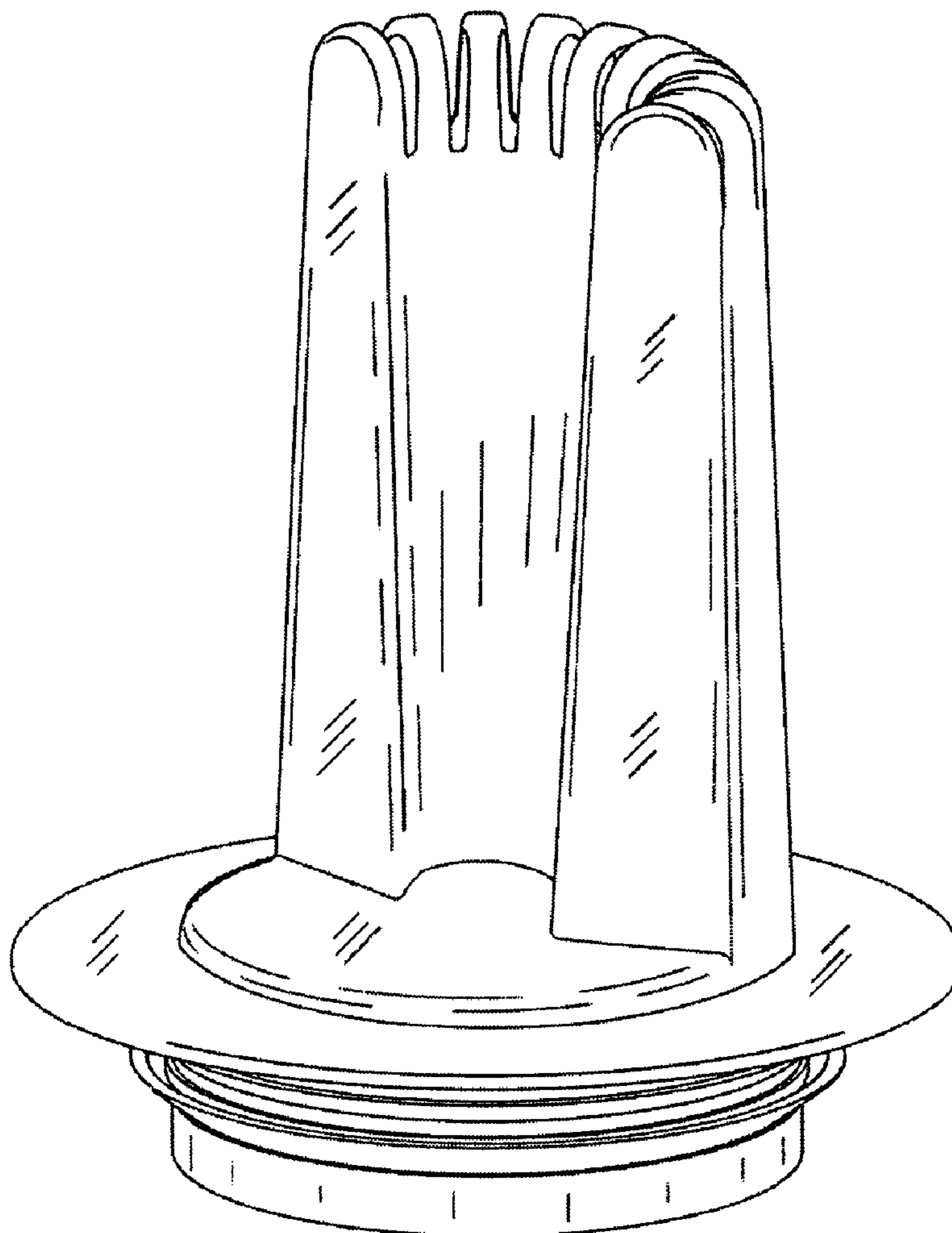
D307,046 S * 4/1990 Burgess et al. D23/259

FIG. 6 is a left side view, thereof, the right side being the mirror image; and,

FIG. 7 is a cross-sectional view as shown along line 7—7 in FIG. 5.

* cited by examiner

1 Claim, 3 Drawing Sheets



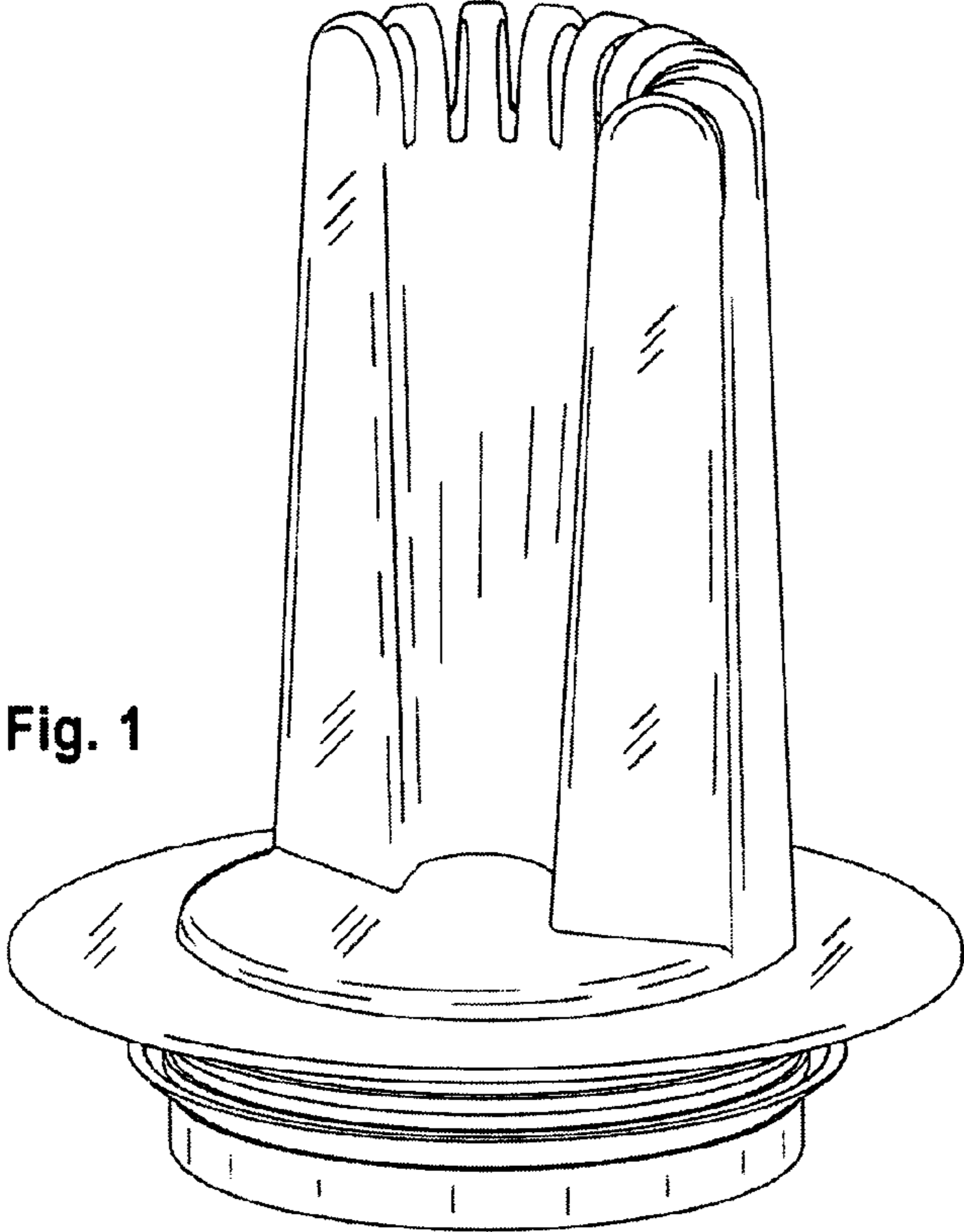


Fig. 1

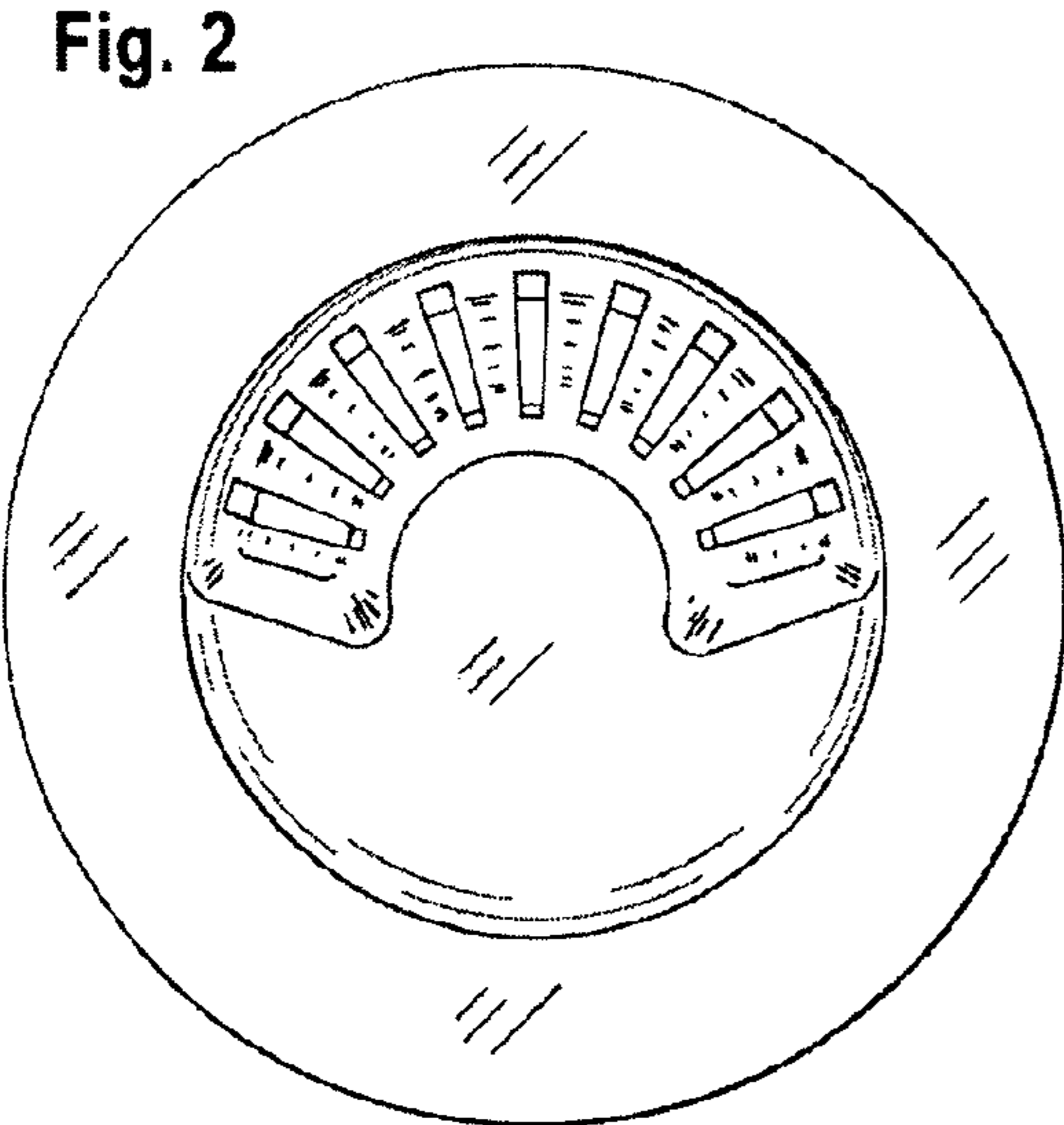


Fig. 2

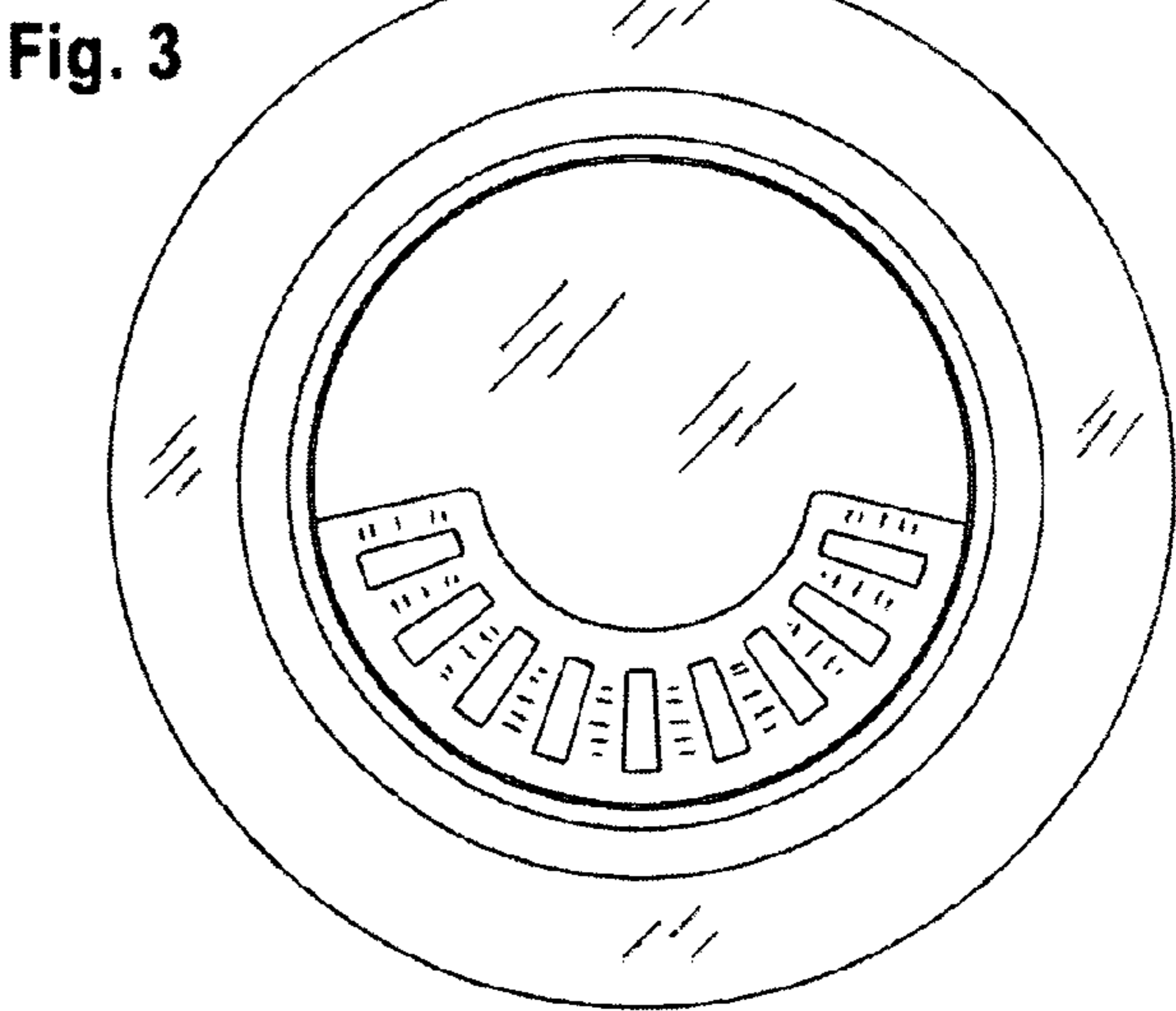


Fig. 3

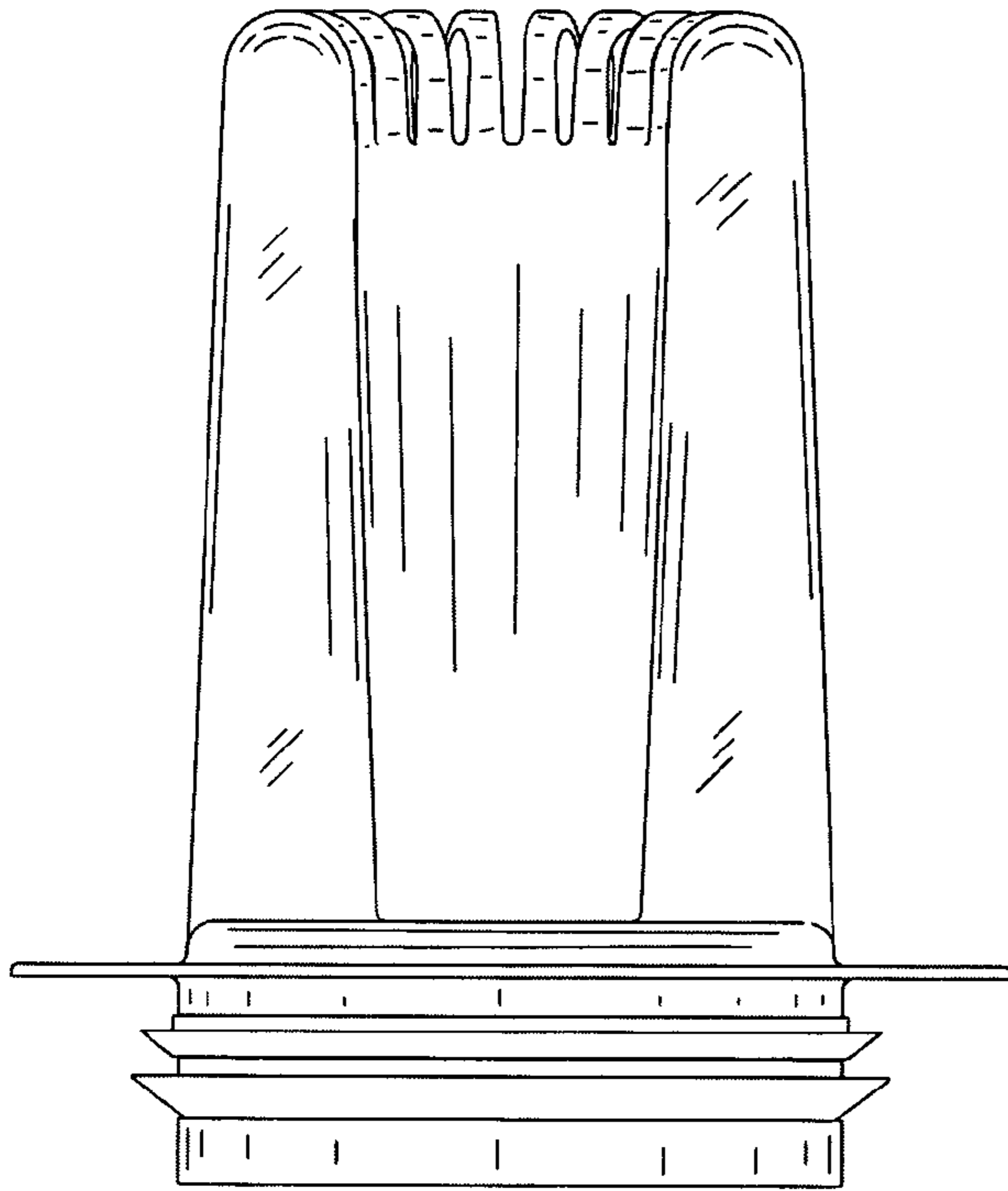


Fig. 4

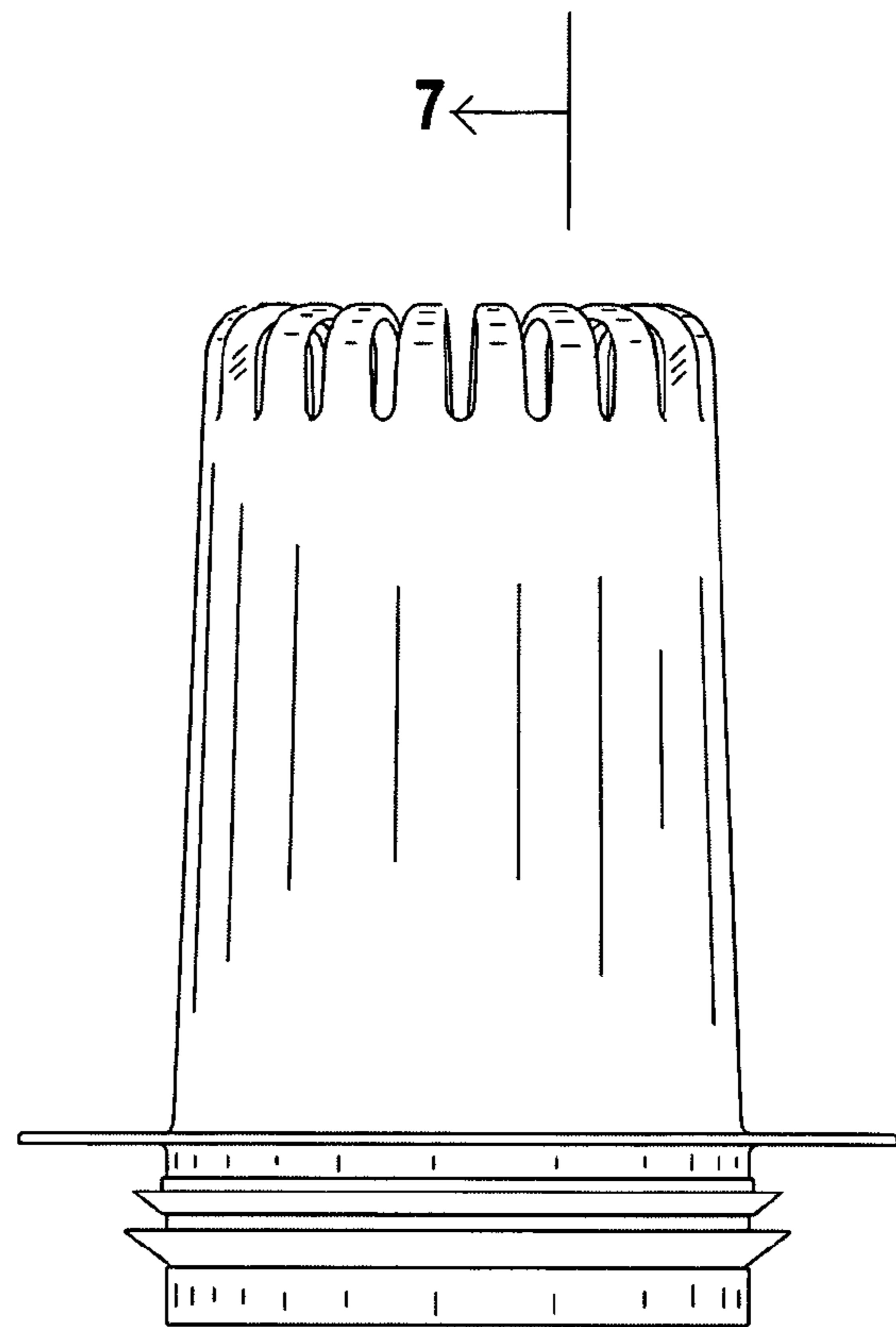


Fig. 5

