



US00D604806S

(12) **United States Design Patent**
Blum

(10) **Patent No.:** **US D604,806 S**

(45) **Date of Patent:** **** Nov. 24, 2009**

(54) **FLOW REGULATOR**

(75) Inventor: **Gerhard Blum**, Gutach (DE)

(73) Assignee: **Neoperl GmbH**, Mullheim (DE)

(**) Term: **14 Years**

(21) Appl. No.: **29/335,404**

(22) Filed: **Apr. 15, 2009**

(30) **Foreign Application Priority Data**

Nov. 7, 2008 (EM) 001035604

(51) **LOC (9) Cl.** **23-01**

(52) **U.S. Cl.** **D23/233; D23/235**

(58) **Field of Classification Search** D23/213,
D23/233-237, 244-249, 257, 260; 138/37,
138/40-42; 239/3, 428.5, 552, 553, 553.5;
261/DIG. 22

See application file for complete search history.

(56) **References Cited**

U.S. PATENT DOCUMENTS

D526,701 S * 8/2006 Grether D23/249
D533,923 S * 12/2006 Grether D23/249
D536,066 S * 1/2007 Grether D23/249
D536,067 S * 1/2007 Grether D23/249
D536,069 S * 1/2007 Grether D23/249

D536,424 S * 2/2007 Grether D23/249
D539,390 S * 3/2007 Grether D23/249
D550,817 S * 9/2007 Grether D23/249
D570,961 S * 6/2008 Grether D23/249
D584,801 S * 1/2009 Grether D23/249
D591,403 S * 4/2009 Grether D23/249

* cited by examiner

Primary Examiner—Cathron C. Brooks

Assistant Examiner—Maurice Stevens

(74) *Attorney, Agent, or Firm*—Volpe and Koenig, P.C.

(57) **CLAIM**

The ornamental design for a flow regulator, as shown and described.

DESCRIPTION

FIG. 1 is a top, front perspective view of the flow regulator according to my design;

FIG. 2 is a bottom, rear perspective view thereof;

FIG. 3 is a front elevational view thereof;

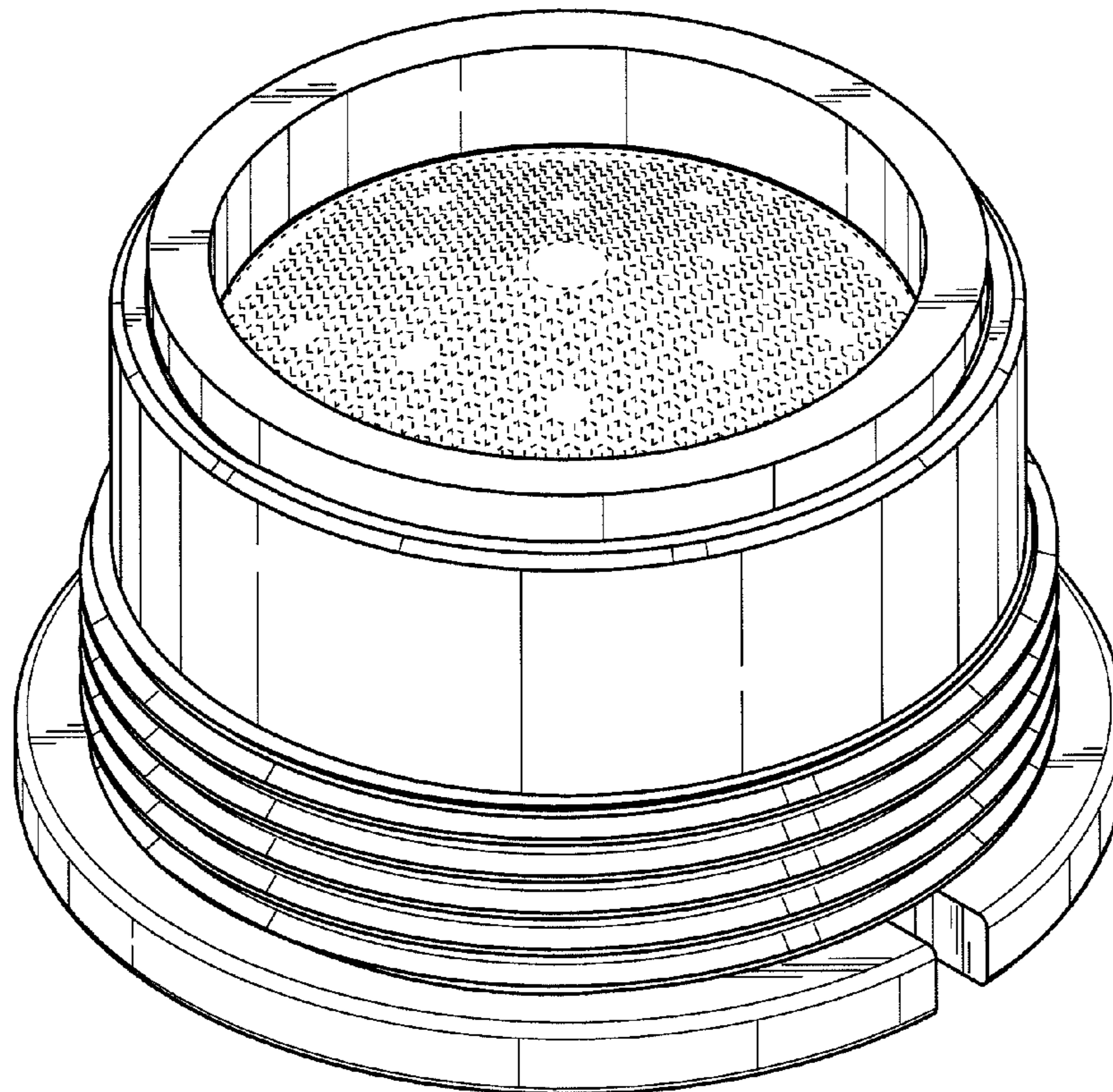
FIG. 4 is a side elevational view thereof;

FIG. 5 is a top plan view thereof; and,

FIG. 6 is a bottom plan view thereof.

The broken lines represent unclaimed portions of the flow regulator.

1 Claim, 6 Drawing Sheets



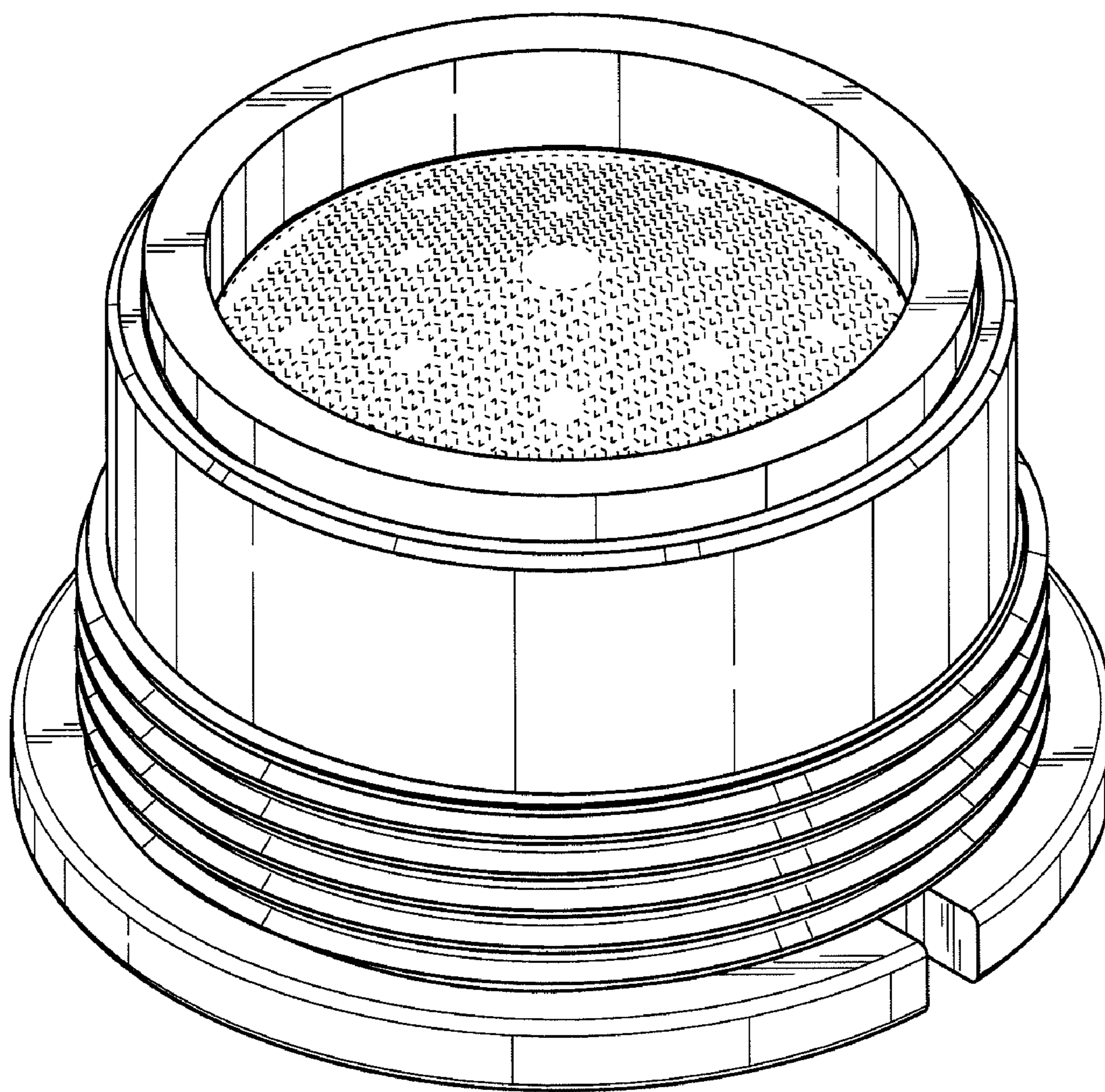


FIG. 1

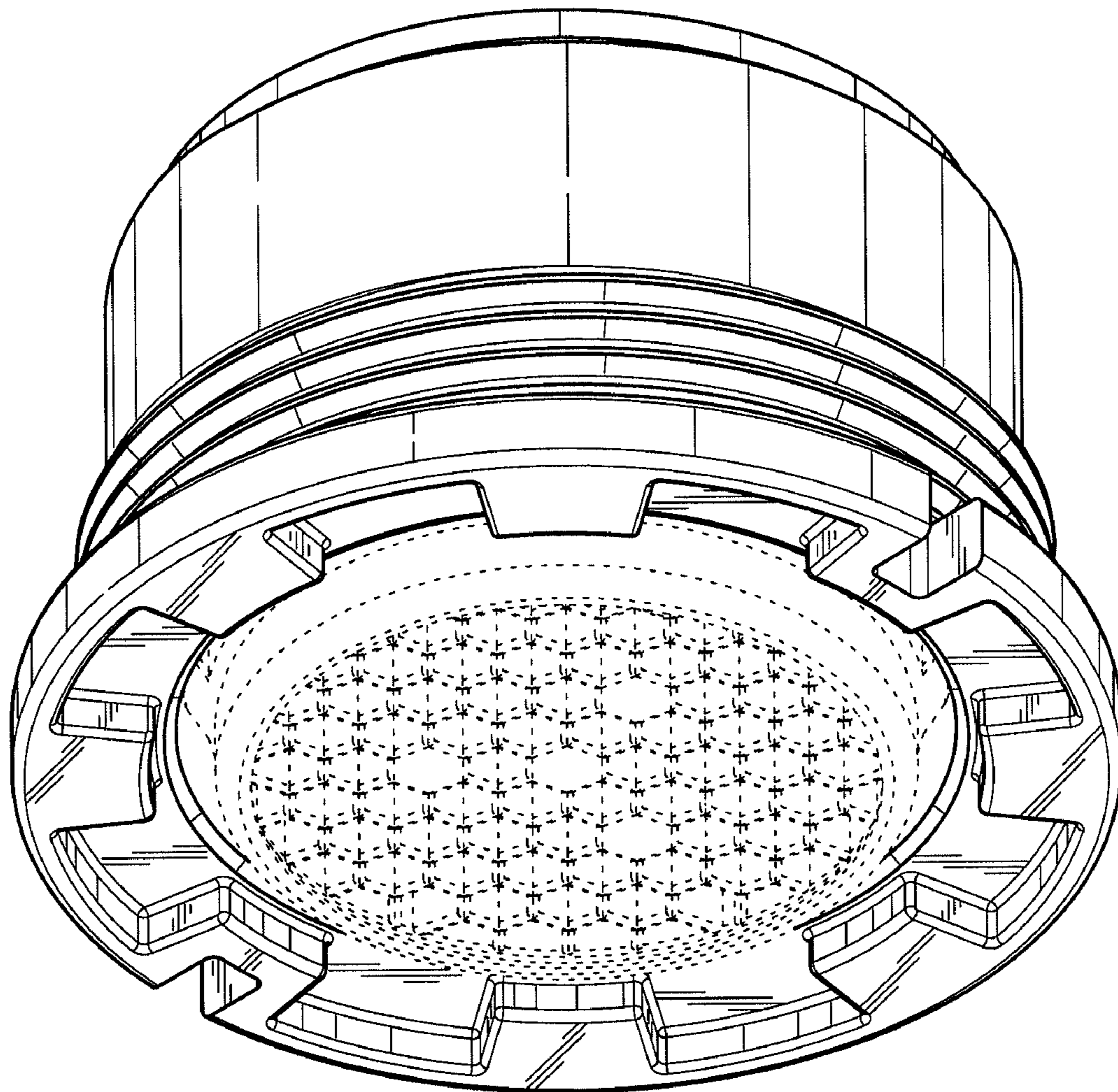


FIG. 2

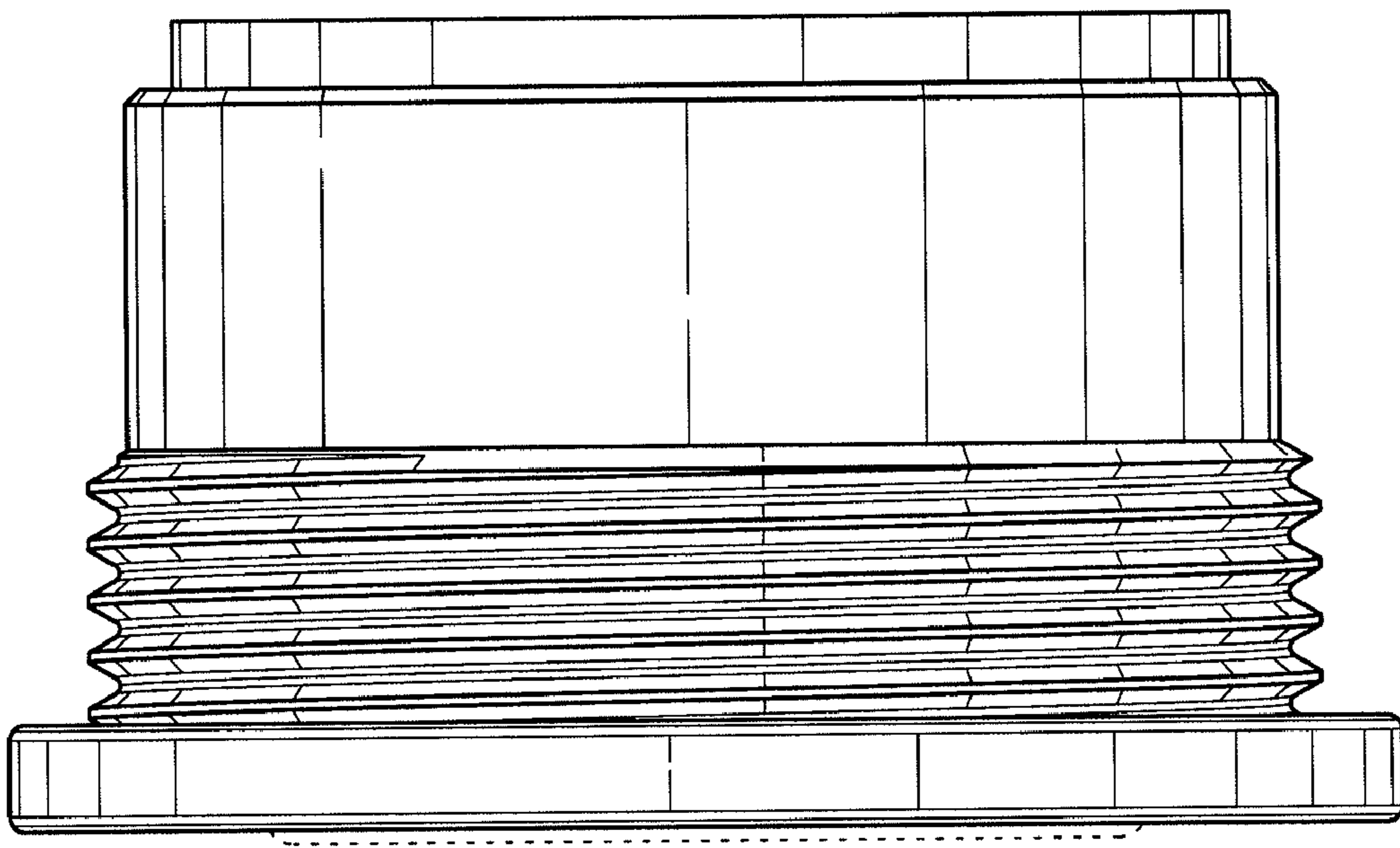


FIG. 3

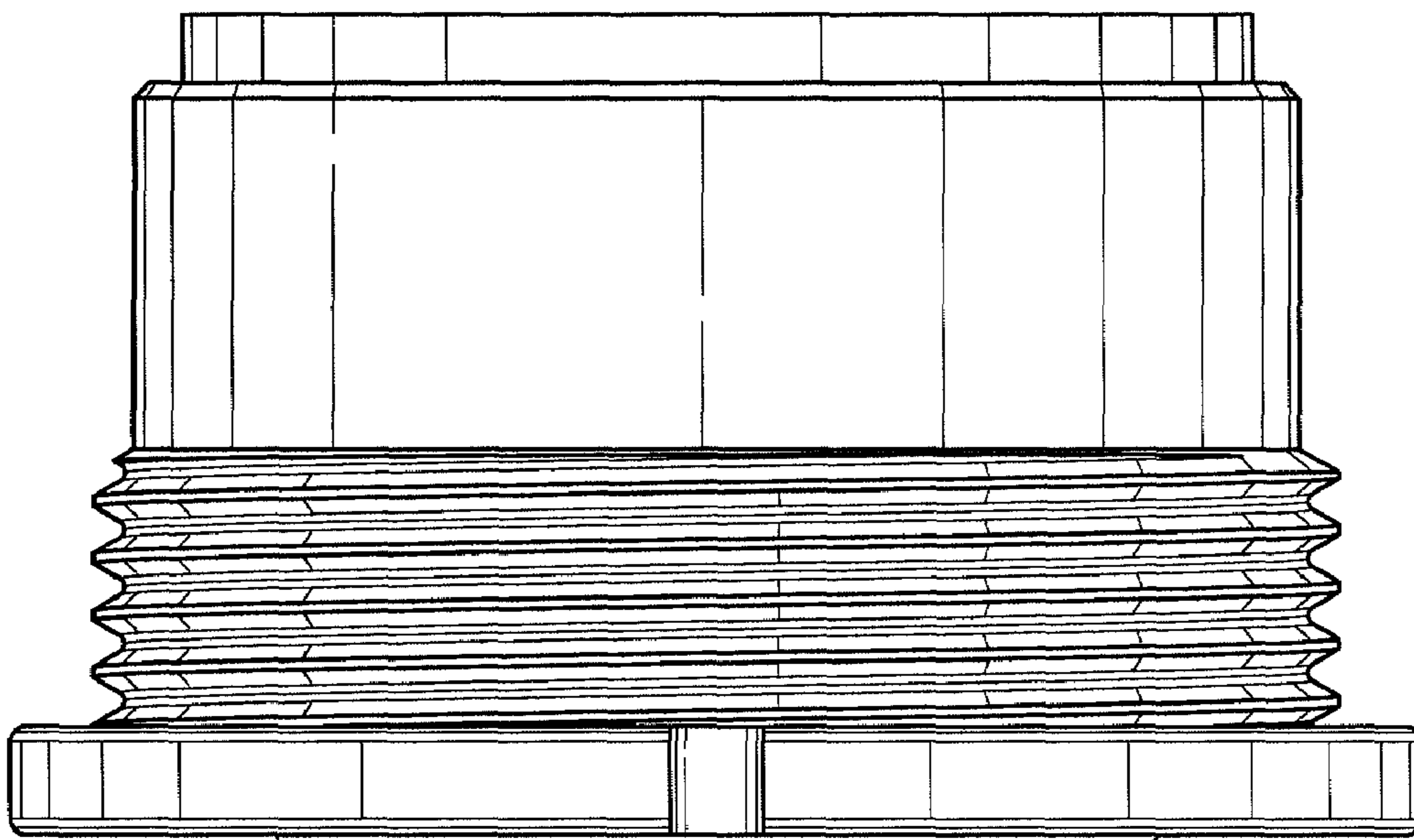


FIG. 4

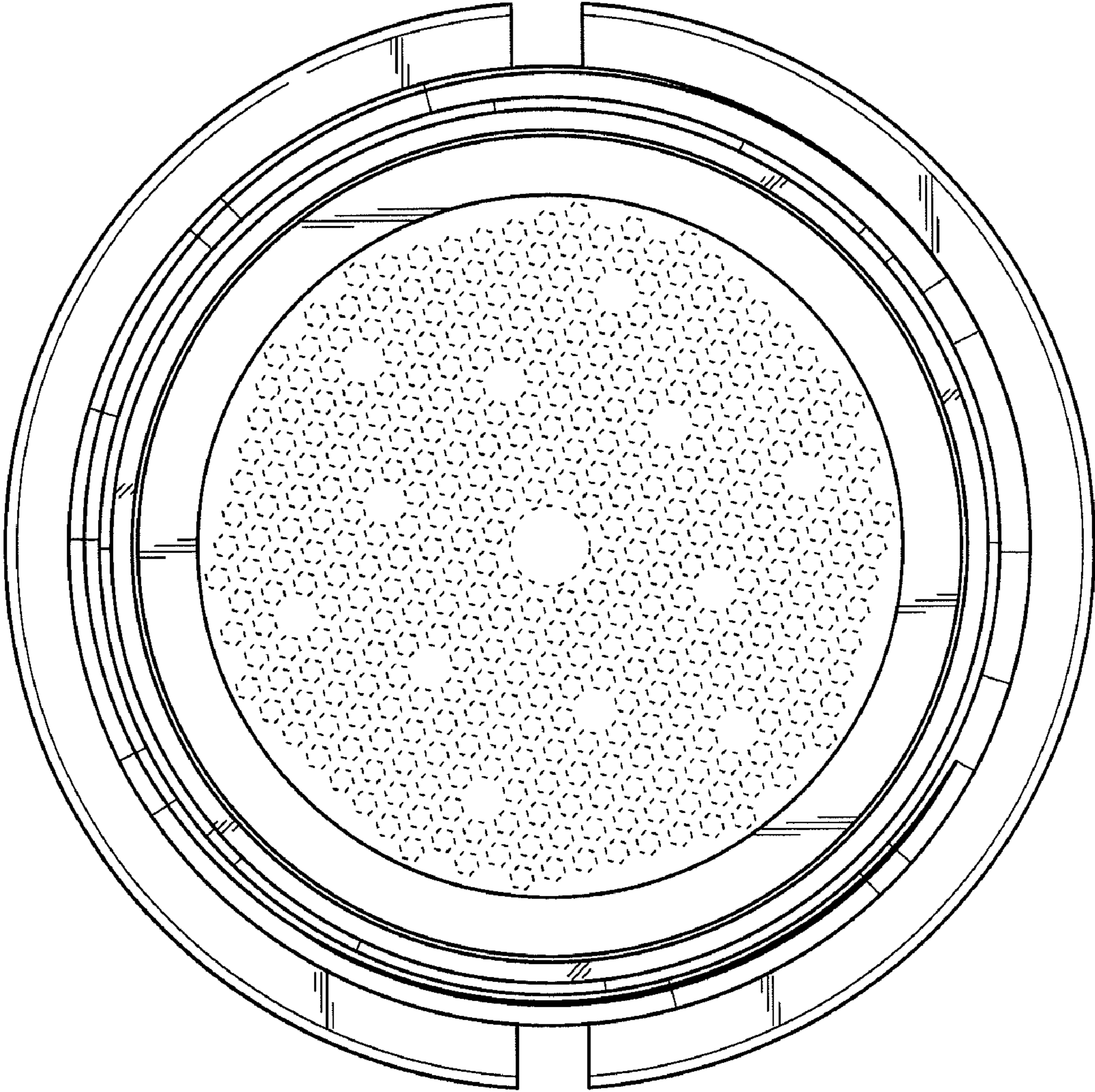


FIG. 5

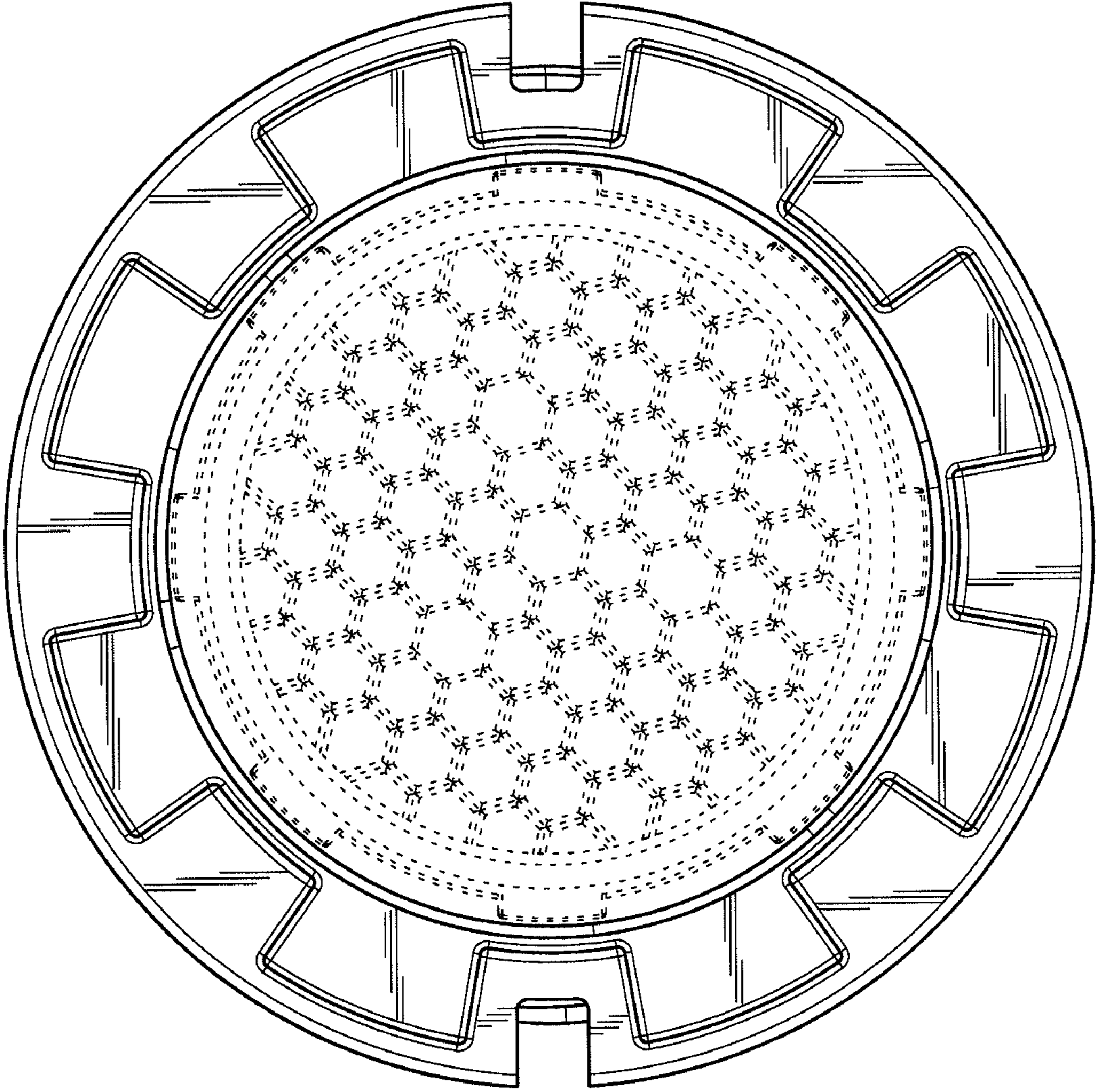


FIG. 6