



US00D604805S

(12) **United States Design Patent**
Samborn et al.

(10) **Patent No.:** **US D604,805 S**

(45) **Date of Patent:** **** Nov. 24, 2009**

(54) **FLOW SWITCH**

(75) Inventors: **Rob Samborn**, Santa Monica, CA (US);
Charles F. Lee, Venice, CA (US); **Jin H. Lee**, Los Angeles, CA (US); **Yun-Ho Son**, Seoul (KR)

(73) Assignee: **HM Digital, Inc.**, Culver City, CA (US)

(**) Term: **14 Years**

(21) Appl. No.: **29/334,655**

(22) Filed: **Mar. 30, 2009**

(51) **LOC (9) Cl.** **23-01**

(52) **U.S. Cl.** **D23/233; D23/235**

(58) **Field of Classification Search** D23/233-237,
D23/244-249, 264, 266; 91/1; 92/5 R; 340/606,
340/610, 611; 307/118; 335/205-207; 137/312.1,
137/522, 523, 551, 554; 73/861-44, 861.47,
73/861.62, 745; 200/81.9 R, 81.9 M, 81.4,
200/81.5, 82 E, 83 Q

See application file for complete search history.

(56) **References Cited**

U.S. PATENT DOCUMENTS

D295,972 S * 5/1988 Hughes D13/158
D297,929 S * 10/1988 Hughes D13/158

D441,060 S * 4/2001 Lefroy-Brooks D23/255
D443,041 S * 5/2001 Uhlenkott D23/266
D475,448 S * 6/2003 Stout, Jr. D23/393
D475,780 S * 6/2003 Stout, Jr. D23/393
6,635,836 B1 * 10/2003 Beauchamp 200/81.9 R

* cited by examiner

Primary Examiner—Cathron C. Brooks

Assistant Examiner—Maurice Stevens

(74) *Attorney, Agent, or Firm*—Patent Venture Group; Joe A. Brock, II

(57) **CLAIM**

We claim the ornamental design for a flow switch, as shown and described.

DESCRIPTION

FIG. 1 is a top view of the flow switch showing my design;

FIG. 2 is a bottom view thereof;

FIG. 3 is a front view thereof;

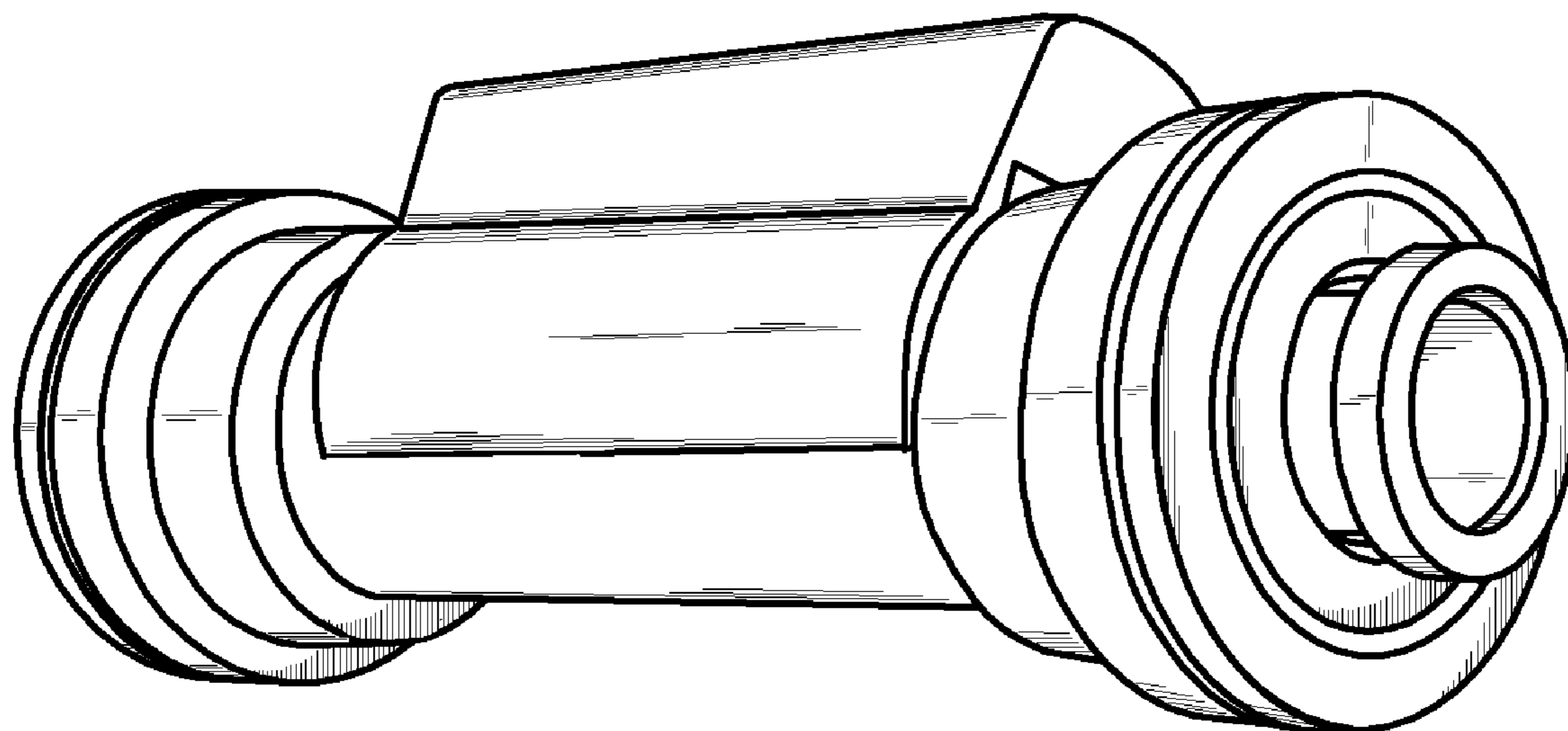
FIG. 4 is a back view thereof;

FIG. 5 is a right side view thereof;

FIG. 6 is a left side view thereof; and,

FIG. 7 is right side perspective view thereof.

1 Claim, 4 Drawing Sheets



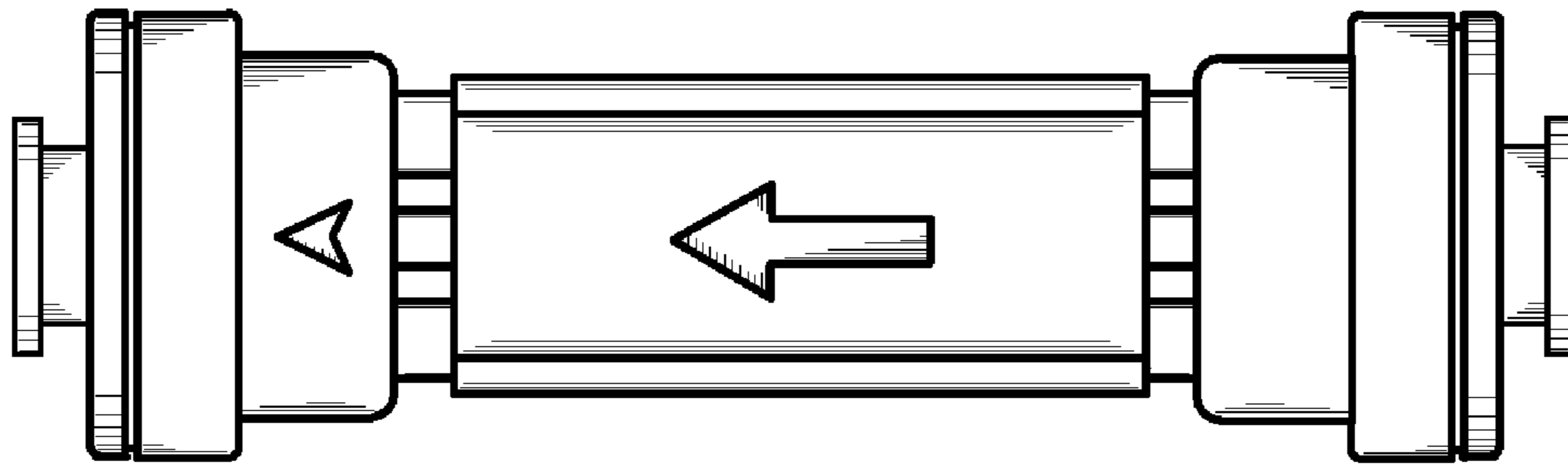


FIG. 1

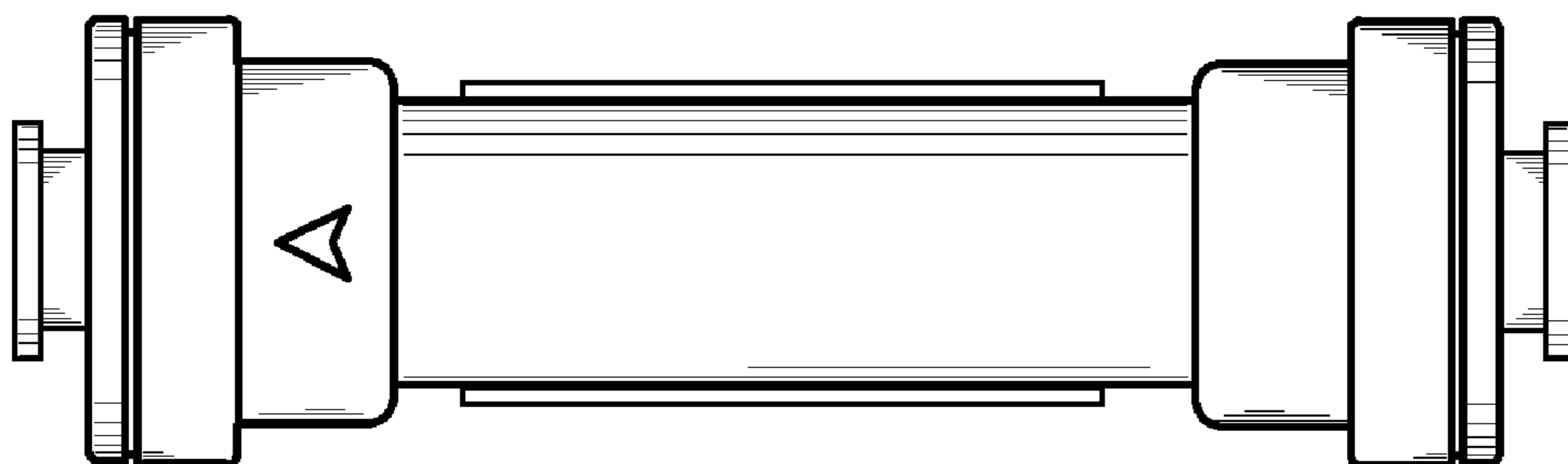


FIG. 2

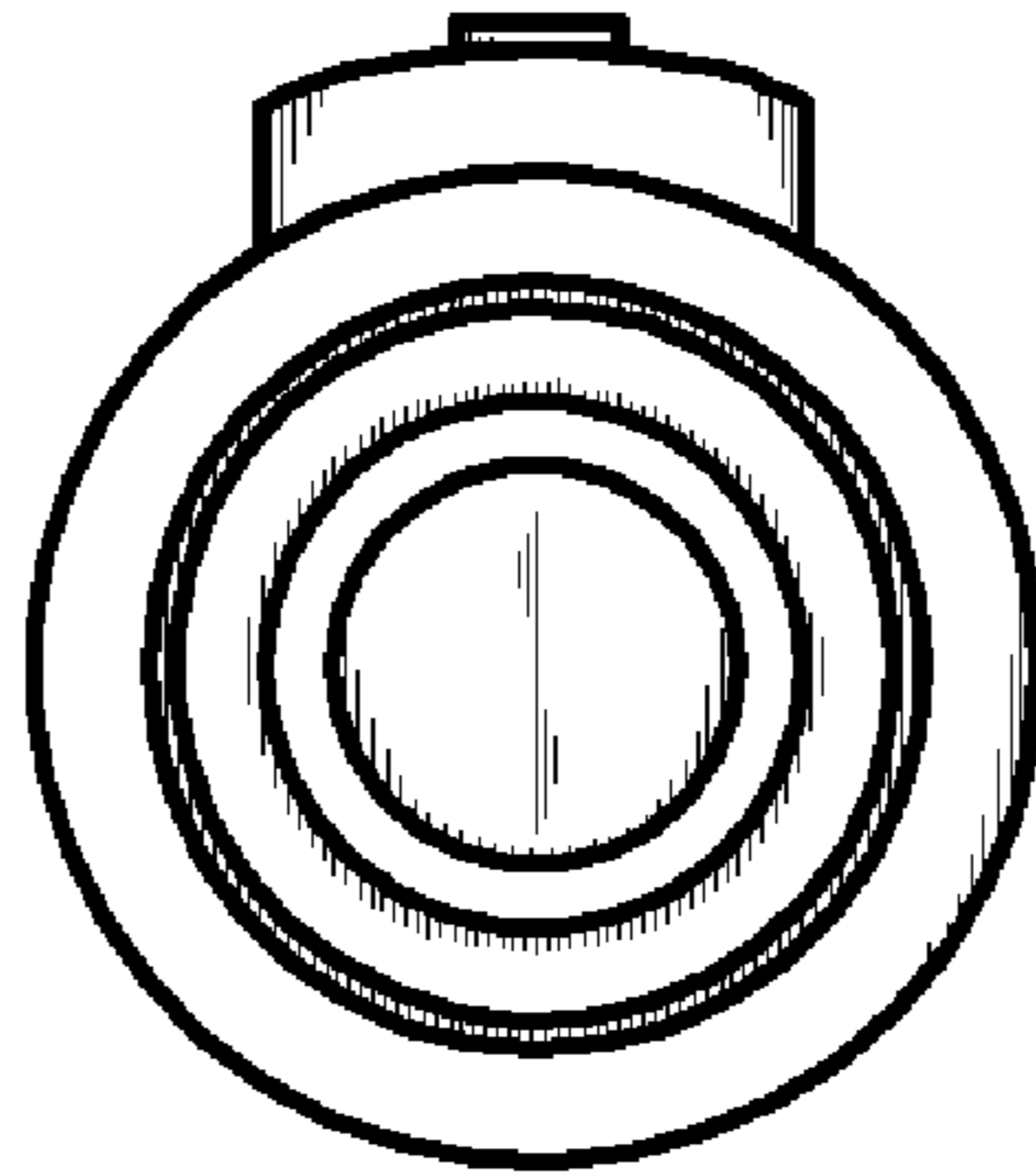


FIG. 3

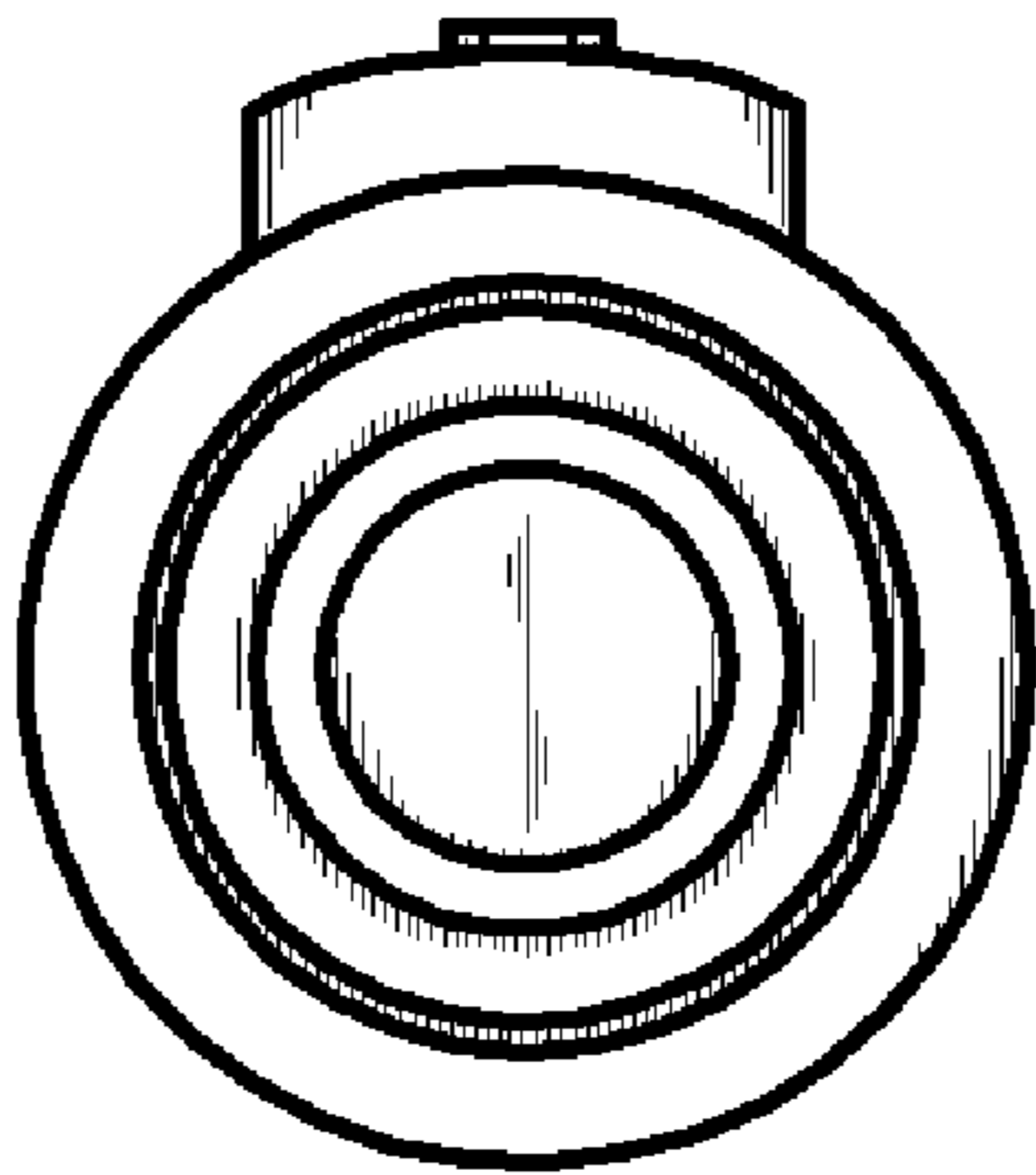


FIG. 4



FIG. 5

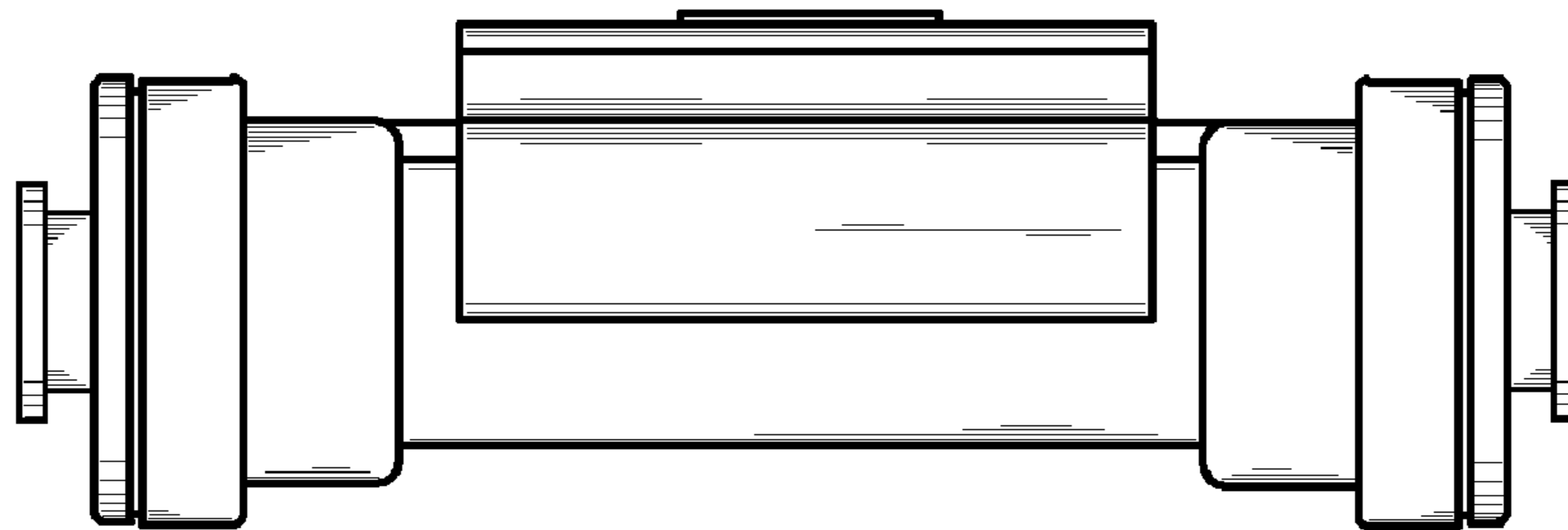


FIG. 6

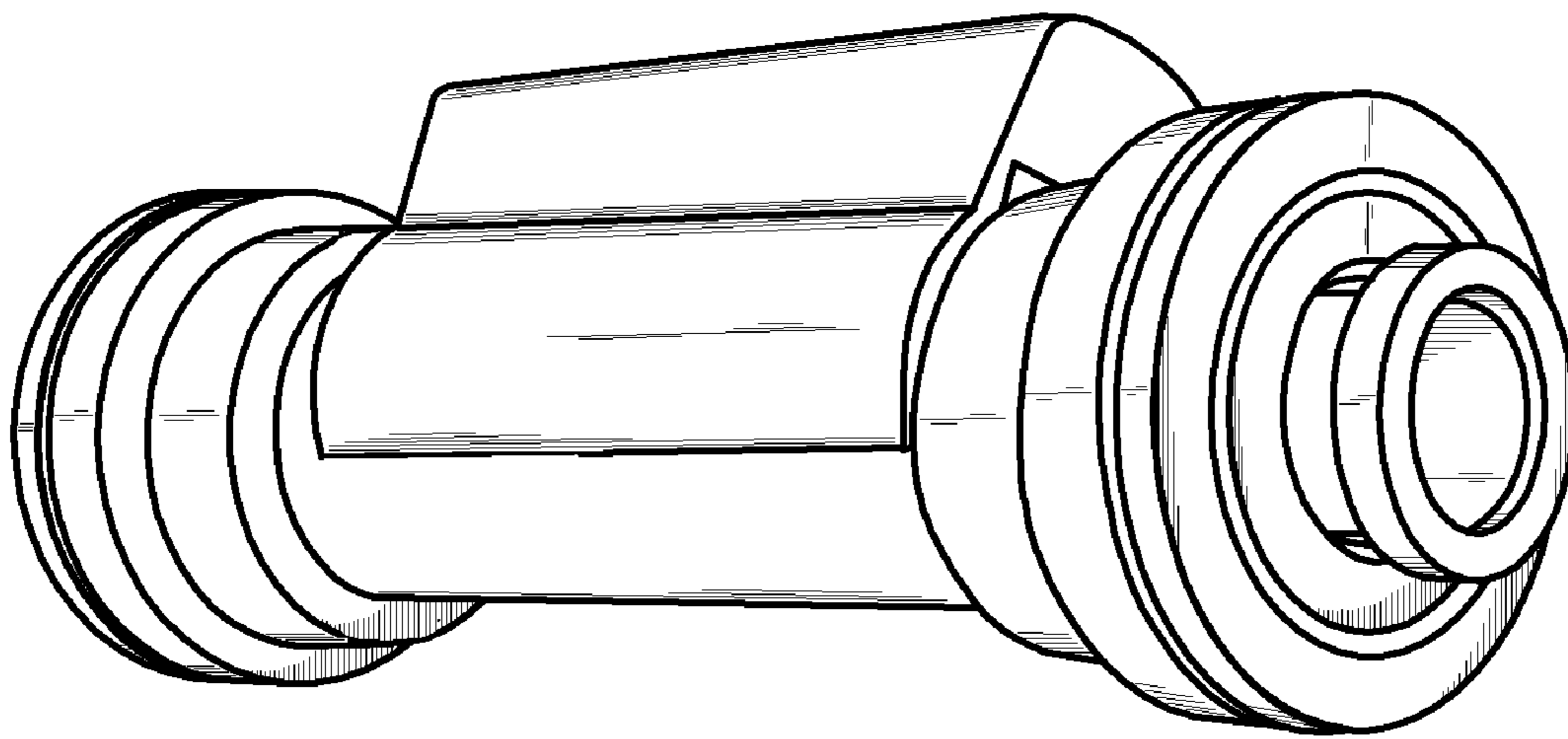


FIG.7