

US00D604804S

(12) **United States Design Patent**
VanEerden et al.

(10) **Patent No.:** **US D604,804 S**
(45) **Date of Patent:** **** Nov. 24, 2009**

(54) **FIRE PROTECTION SPRINKLER TRIGGER COVER**

4,660,648 A 4/1987 Zen
4,830,117 A 5/1989 Capasso
4,880,063 A 11/1989 Leininger et al.

(75) Inventors: **David VanEerden**, Middleville, MI (US); **Thomas E. Winebrenner**, Hastings, MI (US)

(Continued)

FOREIGN PATENT DOCUMENTS

(73) Assignee: **The Viking Corporation**, Hastings, MI (US)

WO 2008/067421 A2 6/2008

Primary Examiner—Robin V Webster

(**) Term: **14 Years**

(74) *Attorney, Agent, or Firm*—Harness, Dickey & Pierce, P.L.C.

(21) Appl. No.: **29/333,910**

(57) **CLAIM**

(22) Filed: **Mar. 17, 2009**

The ornamental design for a fire protection sprinkler trigger cover, as shown and described.

(51) **LOC (9) Cl.** **23-01**

(52) **U.S. Cl.** **D23/214**

(58) **Field of Classification Search** D23/213, D23/214; 169/37, 38, 39
See application file for complete search history.

DESCRIPTION

FIG. 1 is a top perspective view of the design for a fire protection sprinkler trigger cover according to the present invention;

(56) **References Cited**

U.S. PATENT DOCUMENTS

399,521 A	3/1889	Grinnell	
2,591,872 A	4/1952	Rider	
3,061,016 A	10/1962	Hodgman, Jr.	
3,195,647 A	7/1965	Campbell et al.	
3,459,266 A	8/1969	Ault	
3,638,734 A *	2/1972	Ault	428/608
3,714,989 A	2/1973	Gloeckler	
3,783,947 A	1/1974	Dix et al.	
3,880,239 A	4/1975	Vorkapich	
3,904,126 A	9/1975	Allard	
4,014,388 A	3/1977	Anderson	
4,066,129 A	1/1978	Anderson	
D251,128 S *	2/1979	Groos et al.	D23/214
4,214,631 A	7/1980	Hattori	
4,217,960 A	8/1980	Miyazaki	
4,296,815 A	10/1981	Mears	
4,296,816 A	10/1981	Fischer	
4,596,289 A	6/1986	Johnson	
4,651,832 A	3/1987	Kubo	

FIG. 2 is a bottom perspective view of the fire protection sprinkler trigger cover shown in FIG. 1;

FIG. 3 is a top plan view of the fire protection sprinkler trigger cover shown in FIG. 1;

FIG. 4 is an elevation view of the fire protection sprinkler trigger cover shown in FIG. 1;

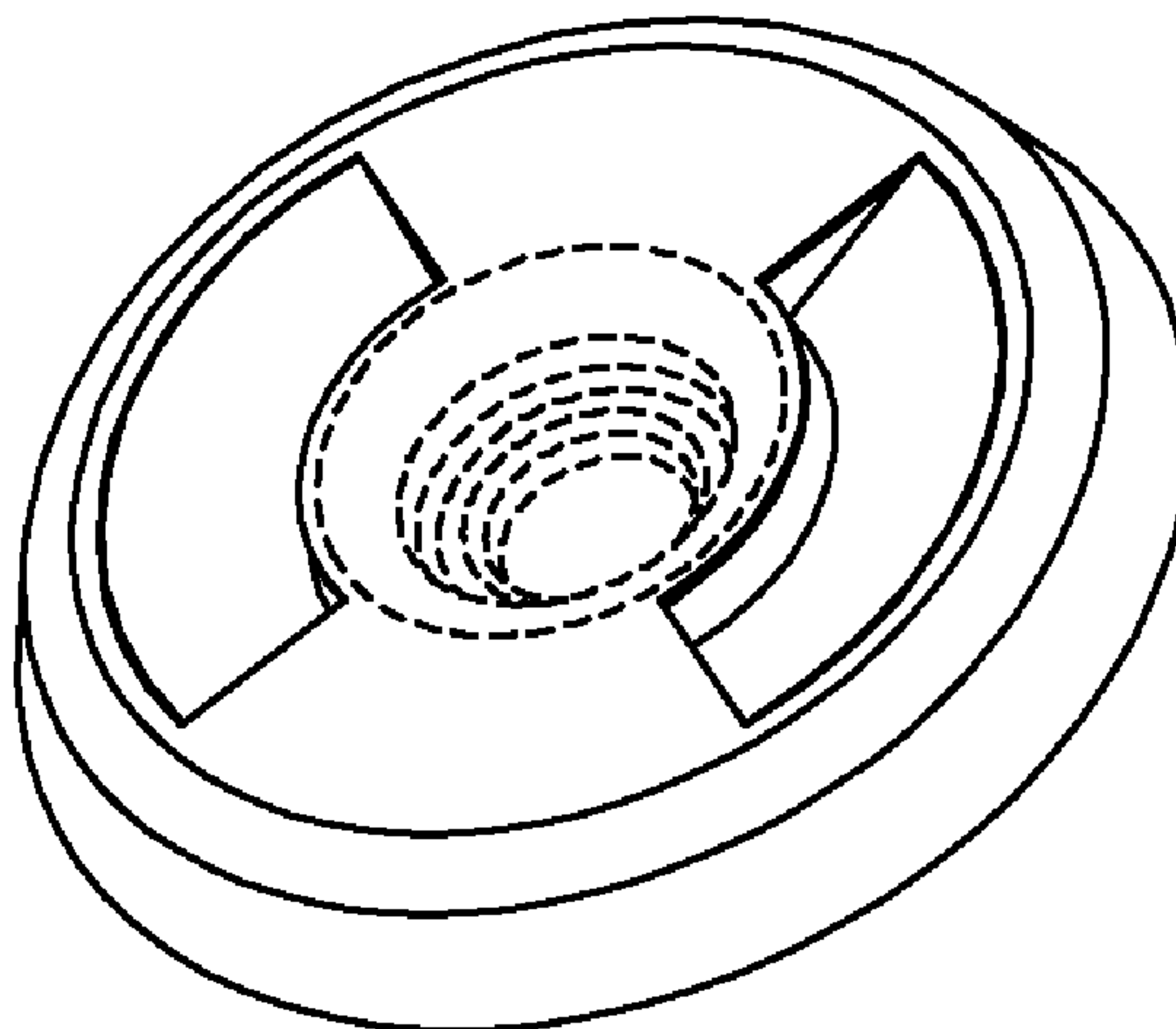
FIG. 5 is a bottom plan view of the fire protection sprinkler trigger cover shown in FIG. 1;

FIG. 6 is an elevation view of the fire protection sprinkler trigger cover shown in FIG. 1 attached to a fire protection sprinkler along with an escutcheon; and,

FIG. 7 is a top plan view of the fire protection sprinkler trigger cover of FIG. 6.

The broken lines showing the central opening, the fire protection sprinkler and the escutcheon, and other features are for illustrative purposes only and form no part of the claimed design.

1 Claim, 2 Drawing Sheets



US D604,804 S

Page 2

U.S. PATENT DOCUMENTS

4,977,963	A	12/1990	Simons	6,098,718	A	8/2000	Sato	
4,987,957	A	1/1991	Galaszewski	6,129,153	A	10/2000	Joung	
5,020,601	A	6/1991	Retzloff et al.	6,152,236	A	11/2000	Retzloff et al.	
5,117,916	A	6/1992	Ohta et al.	6,164,025	A *	12/2000	Lindgren	52/200
5,447,338	A	9/1995	Kikuchi	6,520,265	B2	2/2003	Winebrenner	
5,497,834	A	3/1996	Onuki	6,805,203	B2 *	10/2004	Retzloff et al.	169/37
5,669,449	A	9/1997	Polan et al.	6,962,208	B2 *	11/2005	Franson et al.	169/37
5,722,599	A	3/1998	Fries	6,976,543	B1 *	12/2005	Fischer	169/37
5,727,737	A	3/1998	Bosio et al.					

* cited by examiner

FIG 1

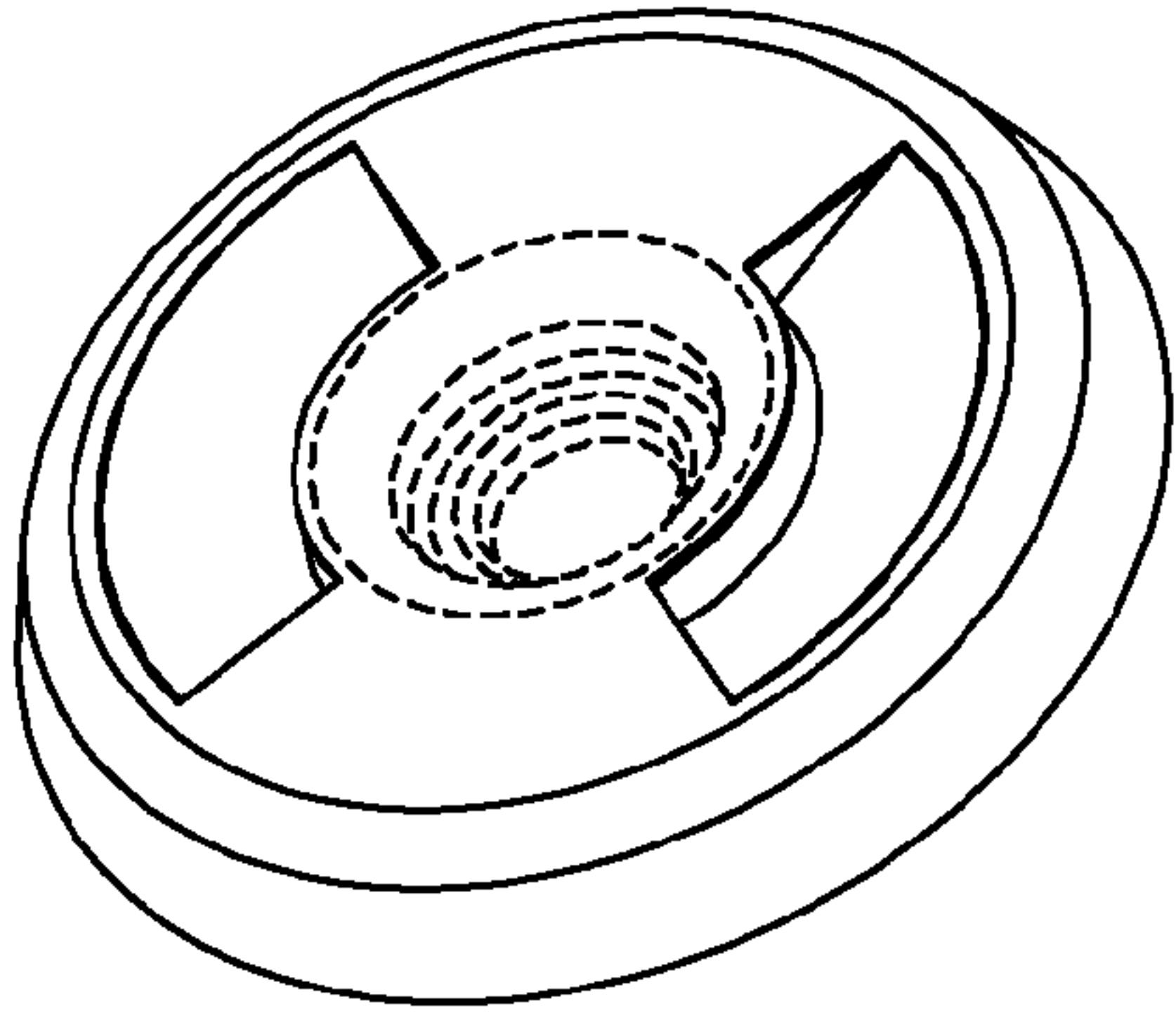


FIG 2

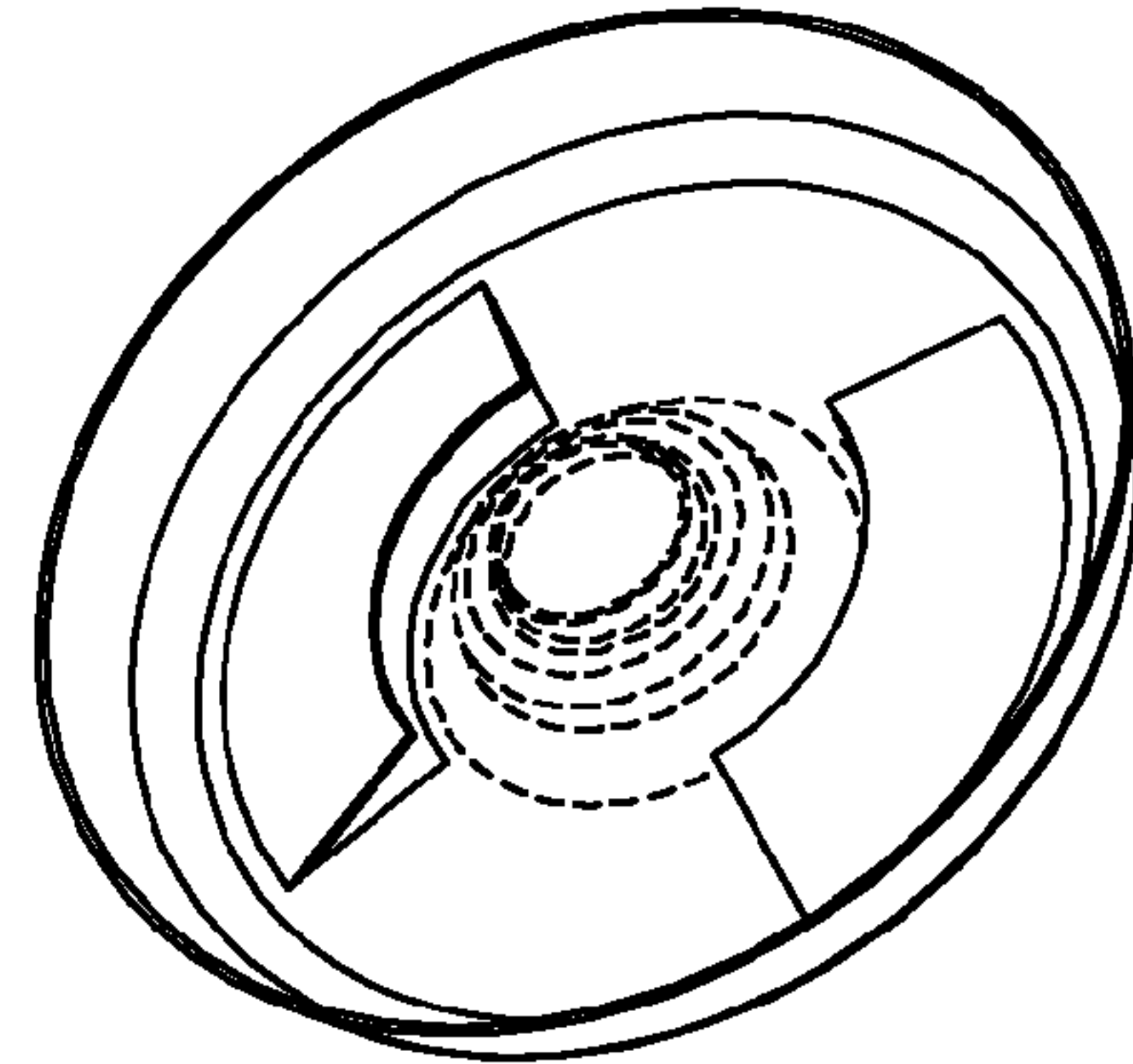


FIG 3

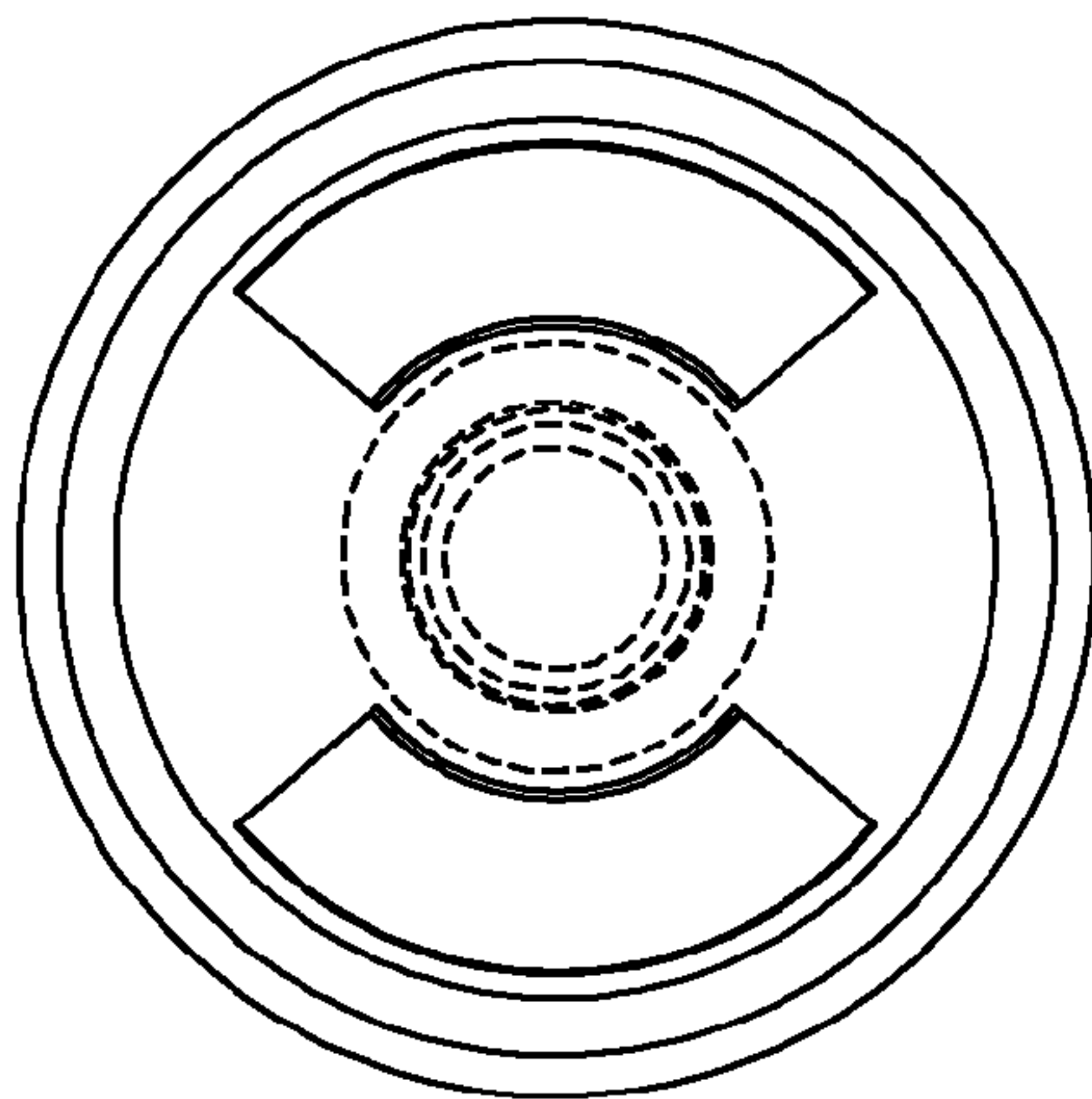


FIG 4

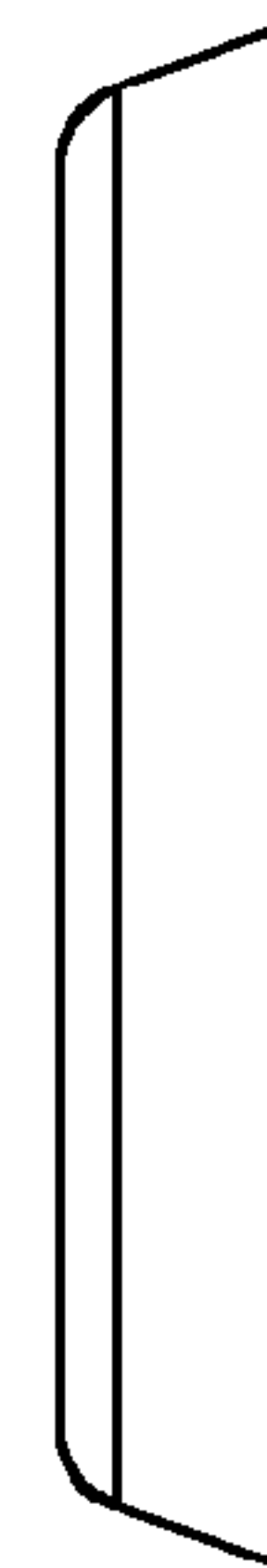


FIG 5

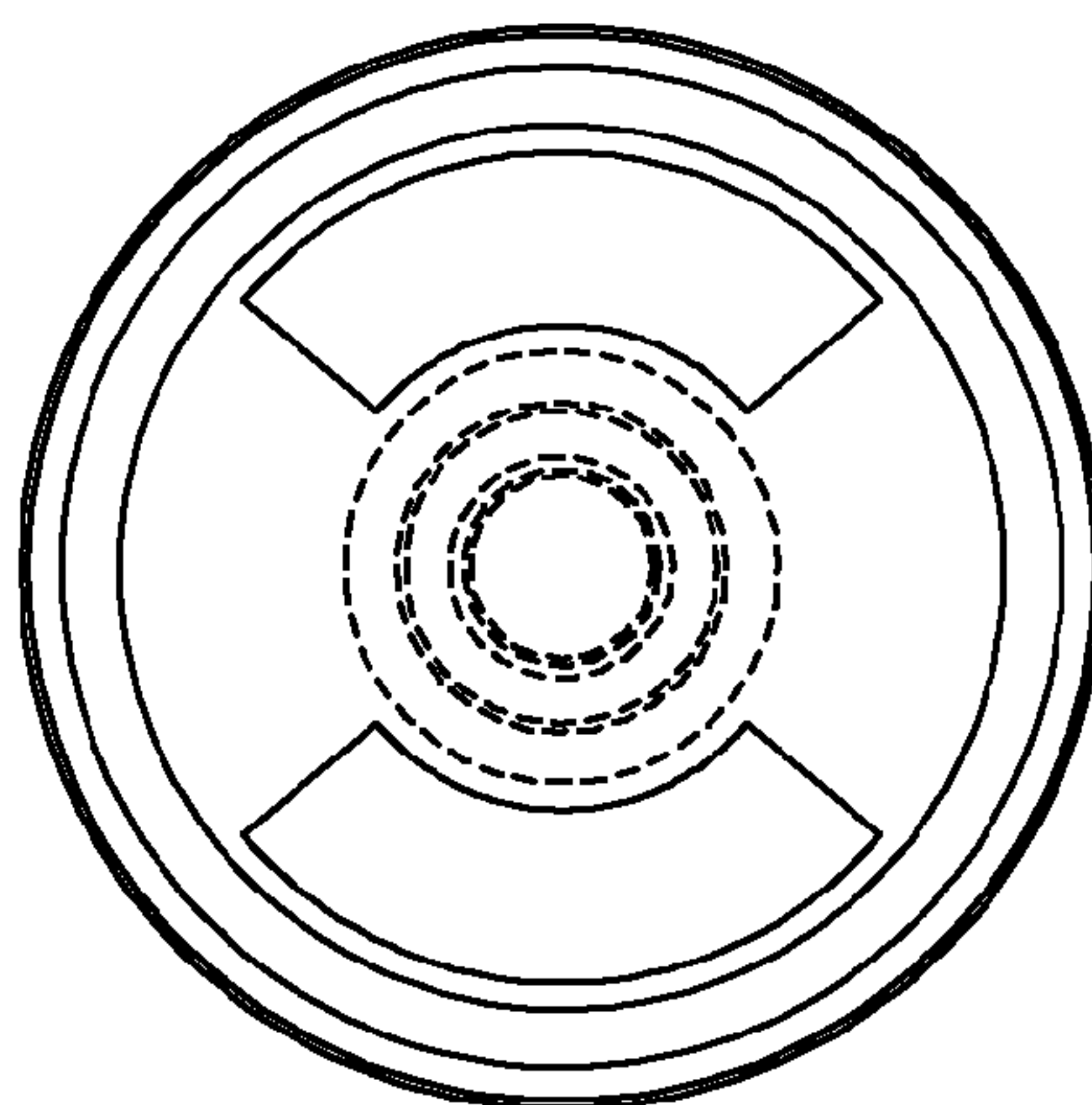


FIG 6

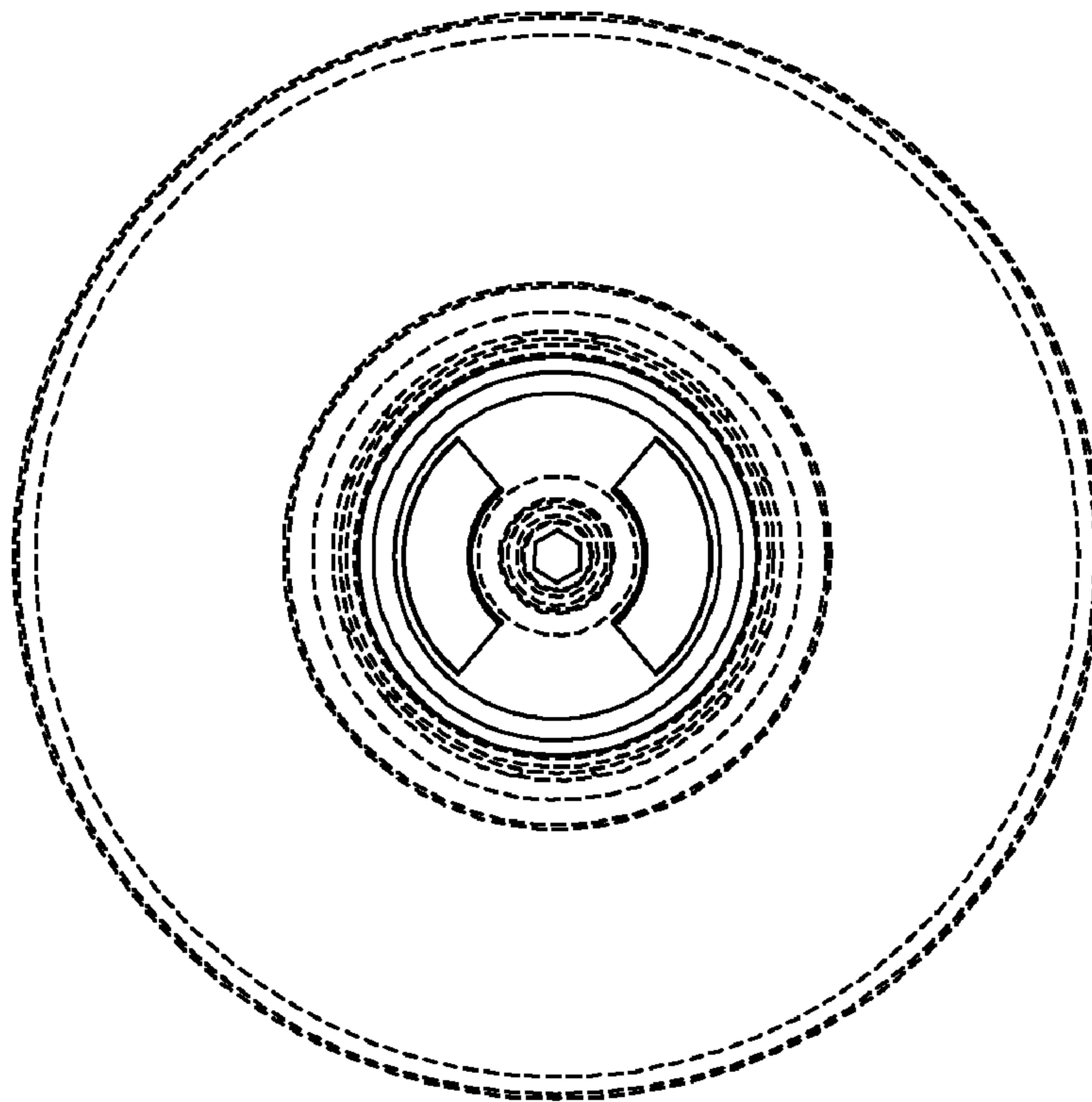
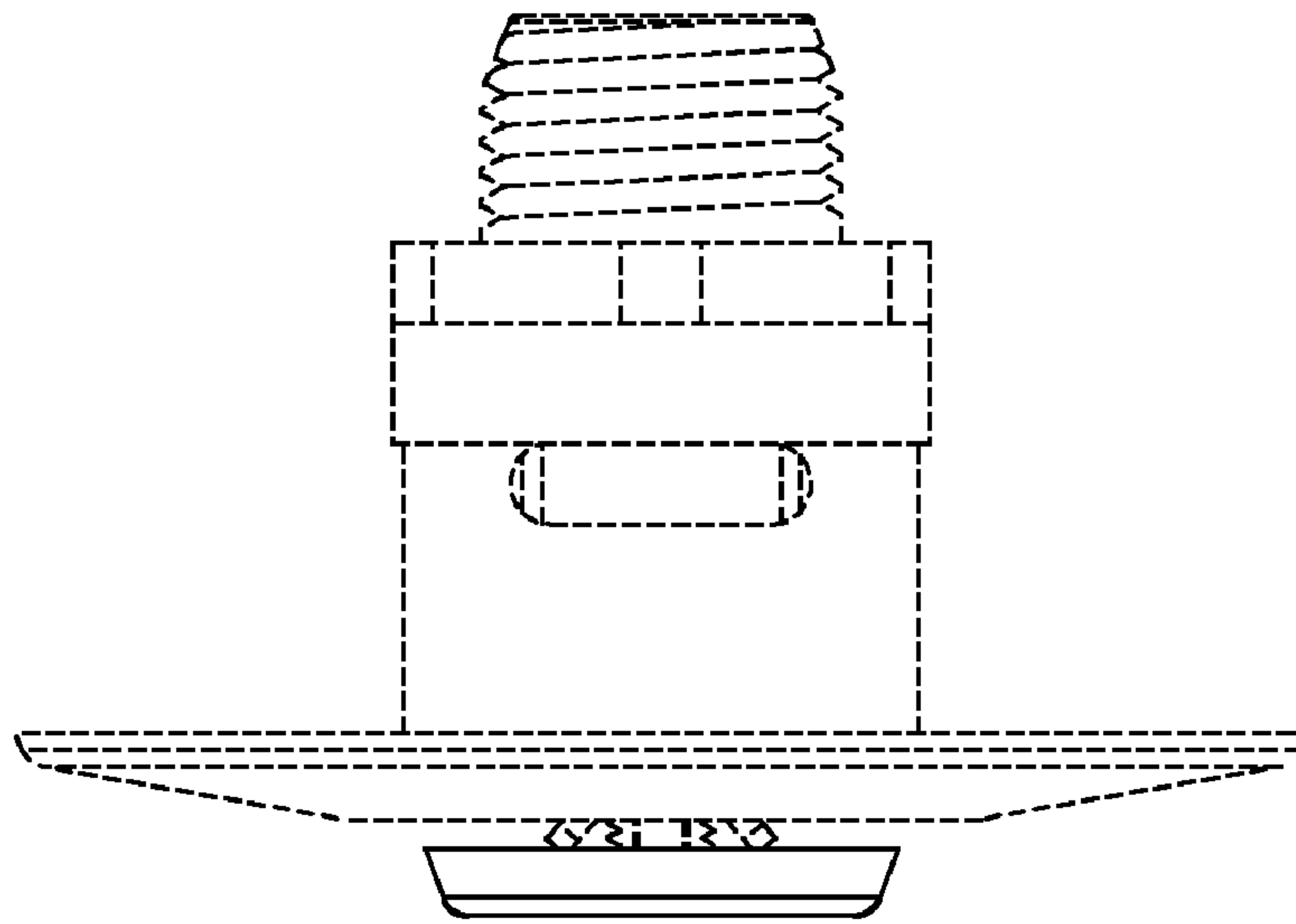


FIG 7