



US00D604802S

(12) **United States Design Patent**  
**Schoenherr et al.**

(10) **Patent No.:** **US D604,802 S**

(45) **Date of Patent:** **\*\* Nov. 24, 2009**

(54) **BODY SPRAY**

D590,477 S \* 4/2009 Schoenherr et al. .... D23/213  
D593,640 S \* 6/2009 Schoenherr et al. .... D23/213  
D598,520 S \* 8/2009 Flowers et al. .... D23/213

(75) Inventors: **Tom Schoenherr**, Stuttgart (DE); **Sven Feustel**, Stuttgart (DE)

\* cited by examiner

(73) Assignee: **Hansgrohe AG**, Schiltach (DE)

*Primary Examiner*—Robin V Webster

(\*\*) Term: **14 Years**

(74) *Attorney, Agent, or Firm*—Nirav D. Parikh; Edgar A. Zarins

(21) Appl. No.: **29/333,846**

(57) **CLAIM**

(22) Filed: **Mar. 16, 2009**

The ornamental design for a body spray, as shown and described.

(30) **Foreign Application Priority Data**

Sep. 26, 2008 (EP) ..... 001011415-0016

**DESCRIPTION**

(51) **LOC (9) Cl.** ..... **23-01**

FIG. 1 is a perspective view of a body spray showing our design;

(52) **U.S. Cl.** ..... **D23/213**

FIG. 2 is a front elevational view thereof;

(58) **Field of Classification Search** ..... D23/213,  
D23/229–230, 223; 239/282–283, 394; 4/615  
See application file for complete search history.

FIG. 3 is a left side elevational view thereof; the right side elevational view being a mirror image thereof;

(56) **References Cited**

FIG. 4 is a top plan view thereof; and,

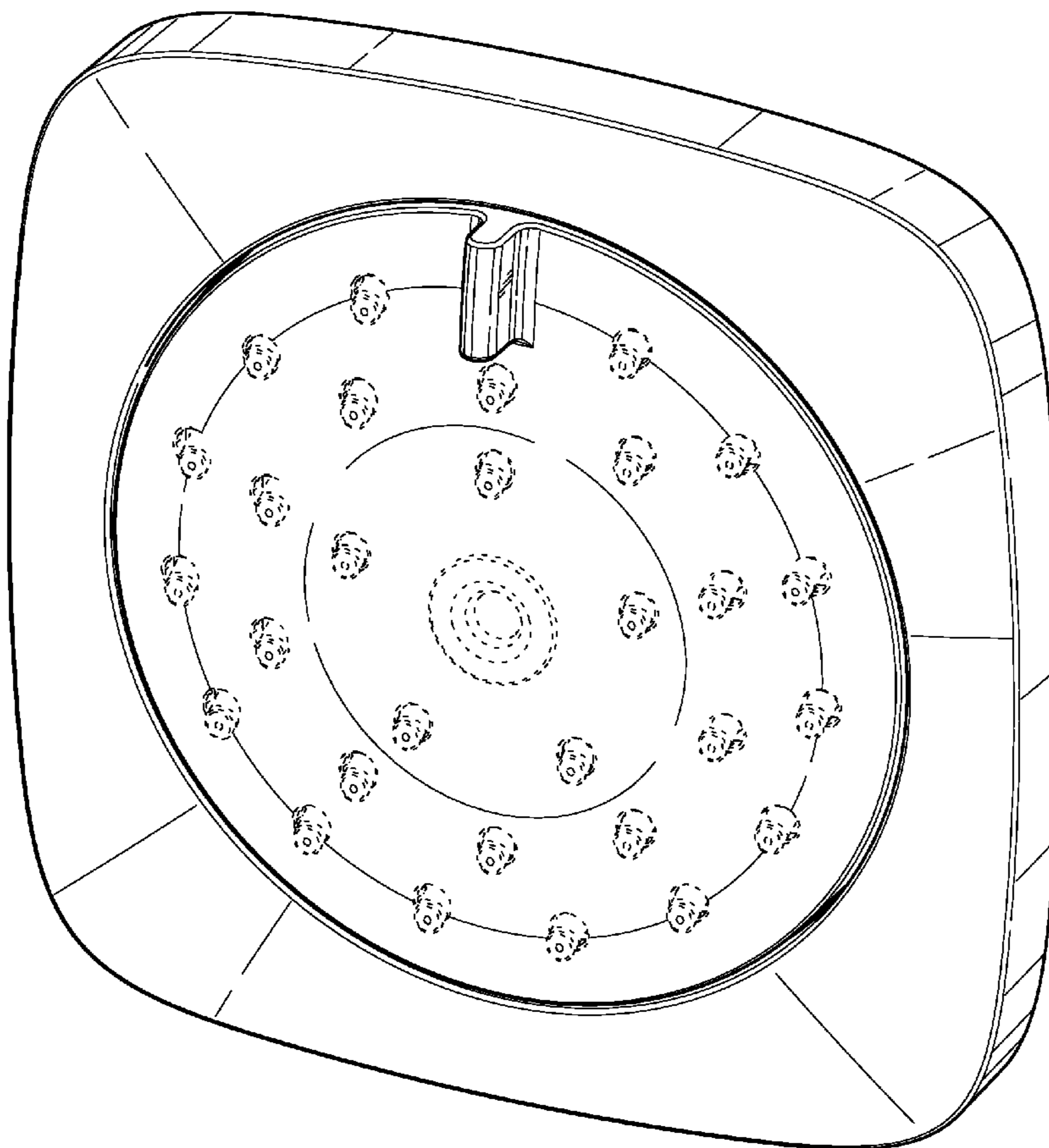
**U.S. PATENT DOCUMENTS**

FIG. 5 is a bottom plan view thereof.

D526,937 S \* 8/2006 Colano ..... D12/125  
D557,765 S \* 12/2007 Schonherr et al. .... D23/213  
D564,070 S \* 3/2008 Tsai ..... D23/229  
D576,251 S \* 9/2008 Schonherr et al. .... D23/213

The broken lines in the drawings represent unclaimed portions of the design and form no part thereof.

**1 Claim, 5 Drawing Sheets**



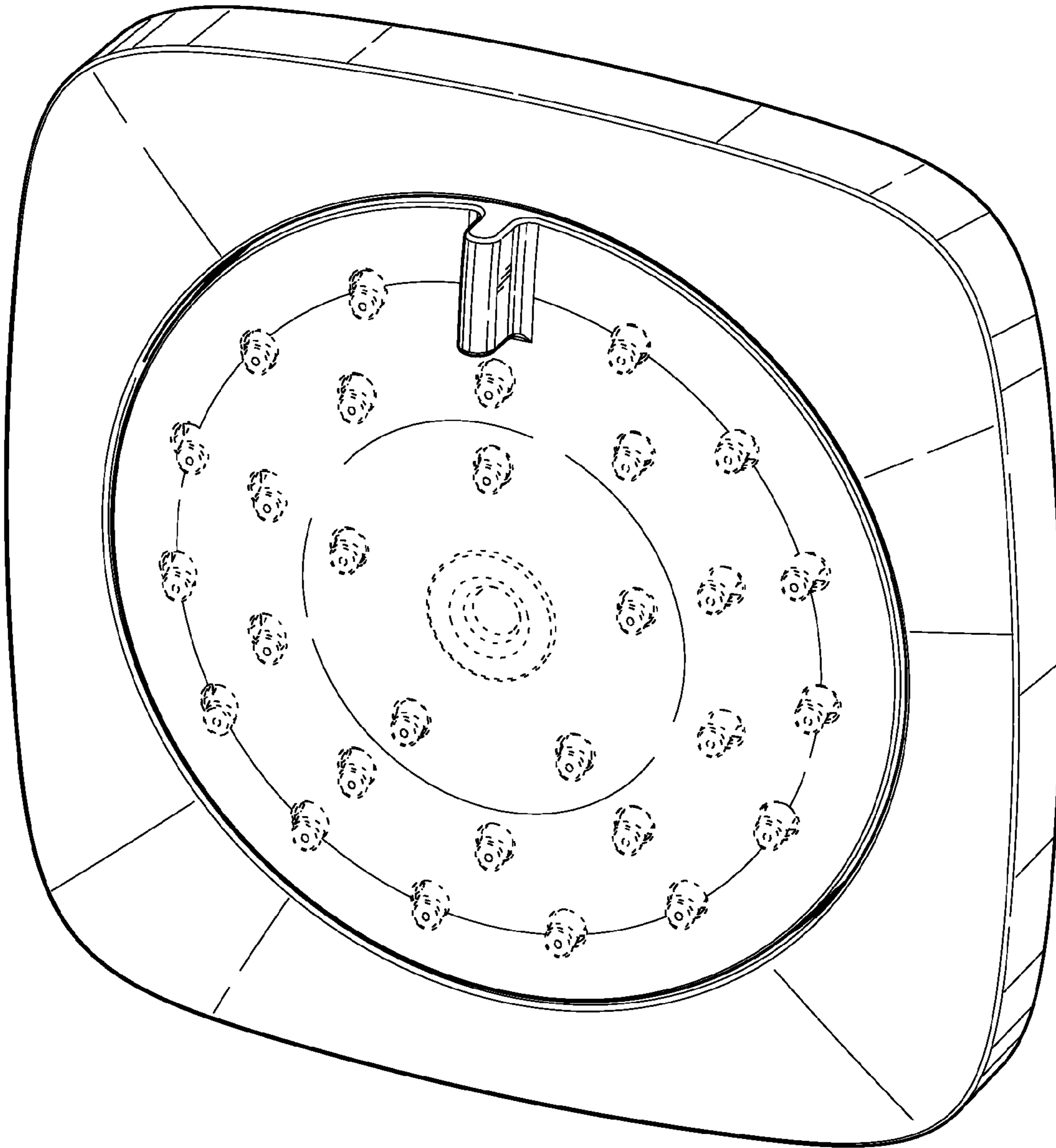


FIG. 1

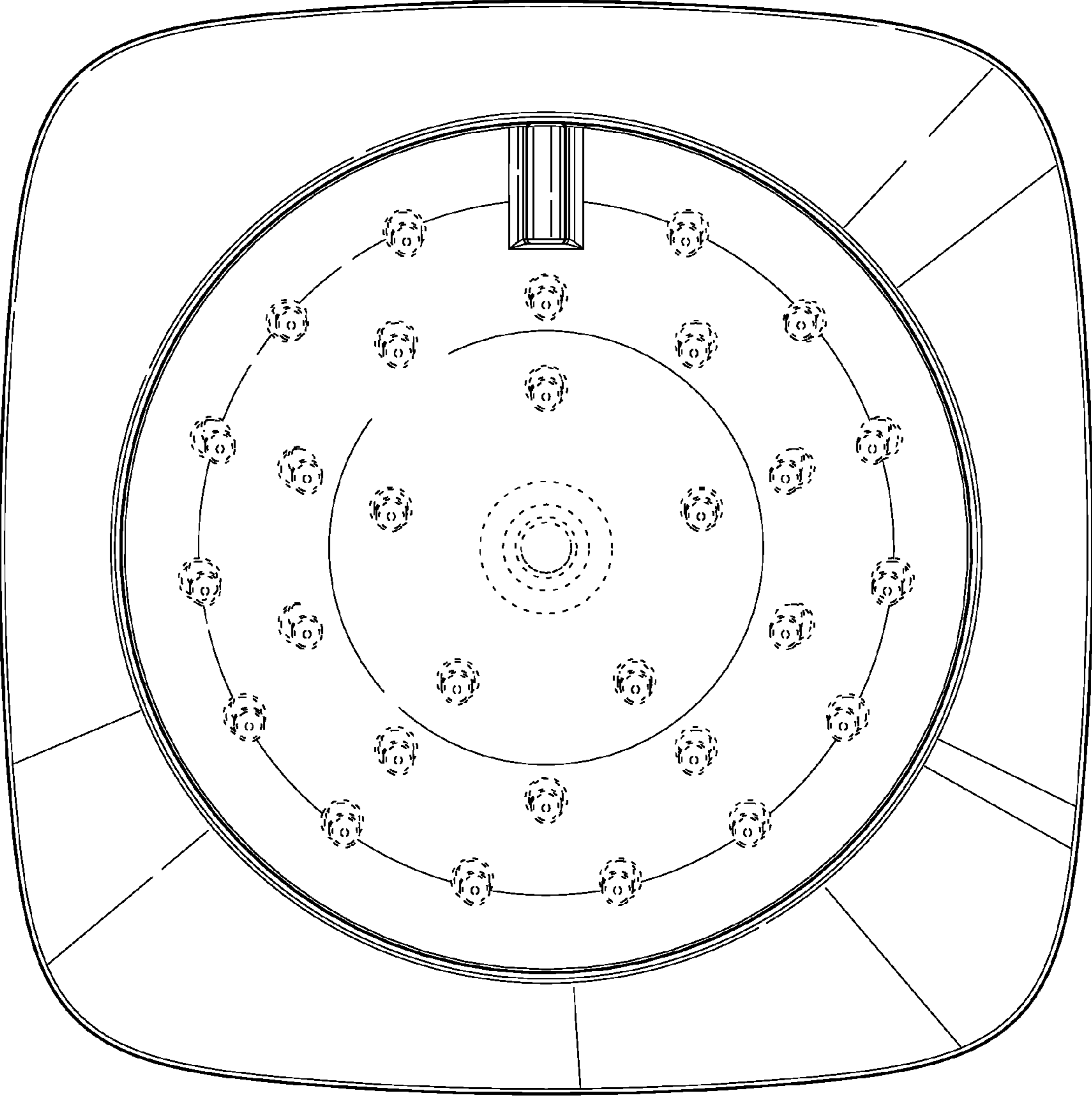


FIG. 2

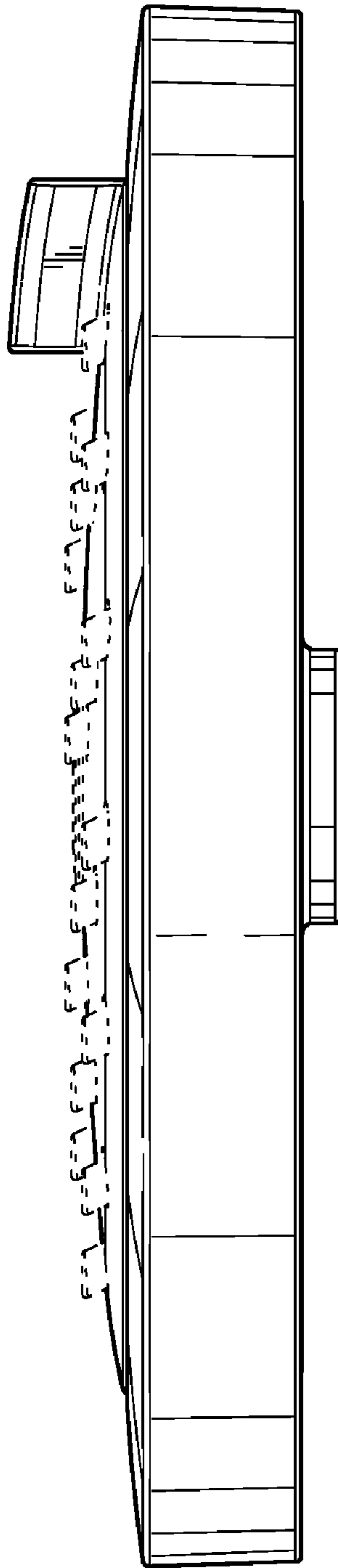


FIG. 3

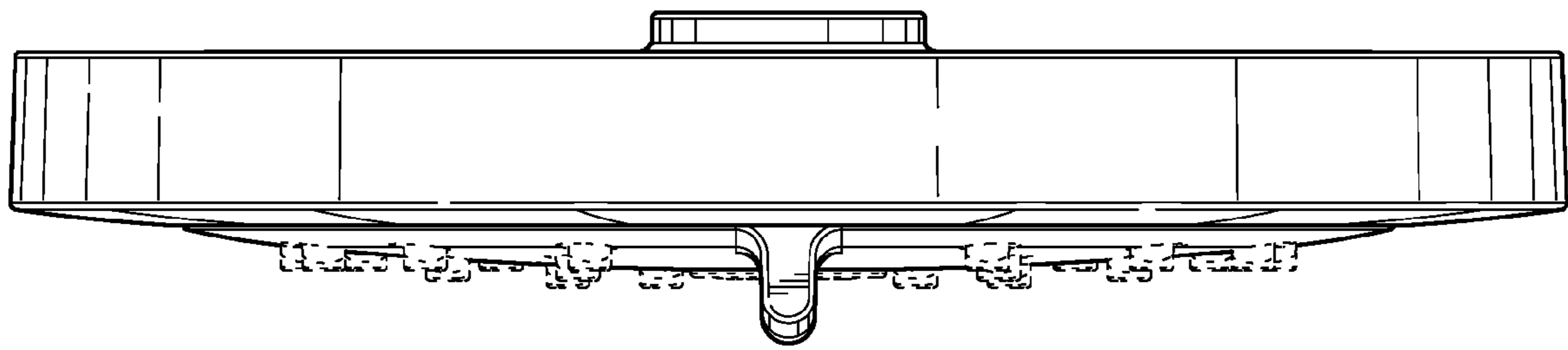


FIG. 4

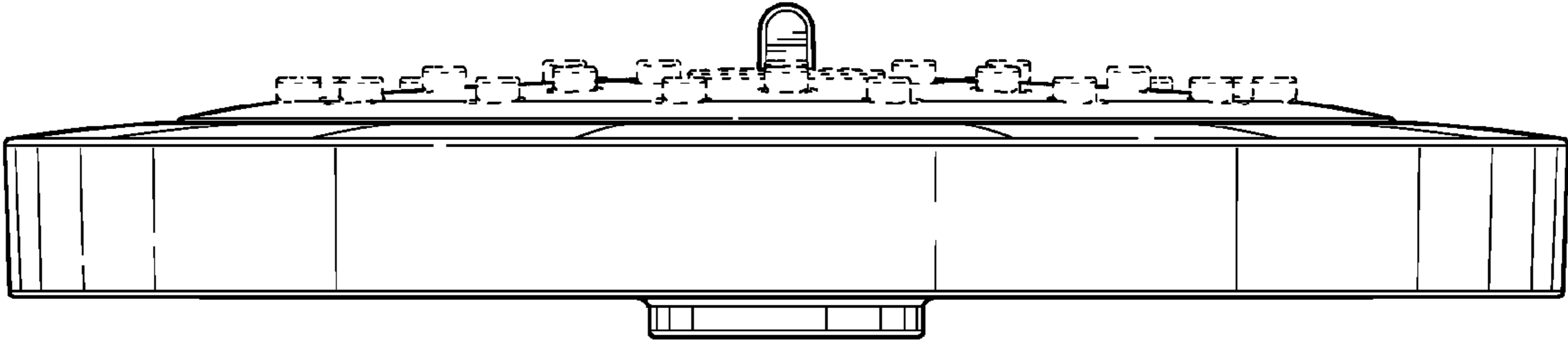


FIG. 5