



US00D604800S

(12) **United States Design Patent**  
**Vreeland**

(10) **Patent No.:** **US D604,800 S**  
(45) **Date of Patent:** **\*\* Nov. 24, 2009**

(54) **OPEN TOP WIRE BASKET LINED WITH A FABRIC FILTER MATERIAL FOR SUSPENDING WITHIN A STORM SEWER UNDER A GRATE TO COLLECT SEDIMENT DEPOSITION**

(76) Inventor: **Gregory M. Vreeland**, 1217 Lyons Rd., Centerville, OH (US) 45458

(\*\*) Term: **14 Years**

(21) Appl. No.: **29/310,523**

(22) Filed: **Aug. 25, 2008**

(51) **LOC (9) Cl.** ..... **23-01**

(52) **U.S. Cl.** ..... **D23/209; D3/304**

(58) **Field of Classification Search** ..... D3/304-315;  
D23/207, 209, 261; 210/489, 497.01, 497.3,  
210/499

See application file for complete search history.

(56) **References Cited**

**U.S. PATENT DOCUMENTS**

394,213	A *	12/1888	Scannell	.....	4/289
2,285,833	A *	6/1942	Platt	.....	210/238
3,742,524	A *	7/1973	Ballentine	.....	4/286
D246,109	S *	10/1977	Rosaen	.....	D23/209
4,473,470	A *	9/1984	Loutit	.....	210/409
6,149,803	A	11/2000	Diloreto, Jr. et al.		
D450,106	S *	11/2001	Herr	.....	D23/261
D473,029	S *	4/2003	Shilling et al.	.....	D34/6
6,554,997	B1	4/2003	Schilling et al.		
D550,805	S *	9/2007	Hazlehurst	.....	D23/209

D555,759	S	11/2007	Vreeland		
D567,020	S *	4/2008	Bodum	.....	D7/400
2007/0101870	A1 *	5/2007	Liu et al.	.....	99/495

**FOREIGN PATENT DOCUMENTS**

WO WO 98/40572 9/1998

\* cited by examiner

*Primary Examiner*—T. Chase Nelson

*Assistant Examiner*—Kathleen M Sims

(74) *Attorney, Agent, or Firm*—Jacox, Meckstroth & Jenkins

(57) **CLAIM**

The ornamental design of an open top wire basket lined with a fabric filter material for suspending within a storm sewer under a grate to collect sediment deposition, as shown and described.

**DESCRIPTION**

FIG. 1 is a perspective view of an open top wire basket lined with a fabric filter material for suspending within a storm sewer under a grate to collect sediment deposition showing my new design;

FIG. 2 is a side view thereof, the opposite side view being a mirror image;

FIG. 3 is a top view thereof; and,

FIG. 4 is a bottom view thereof.

The cross-line pattern, which is partially shown for ease of illustration, represents a conventional fabric and is understood to repeat uniformly throughout the indicated area.

**1 Claim, 1 Drawing Sheet**

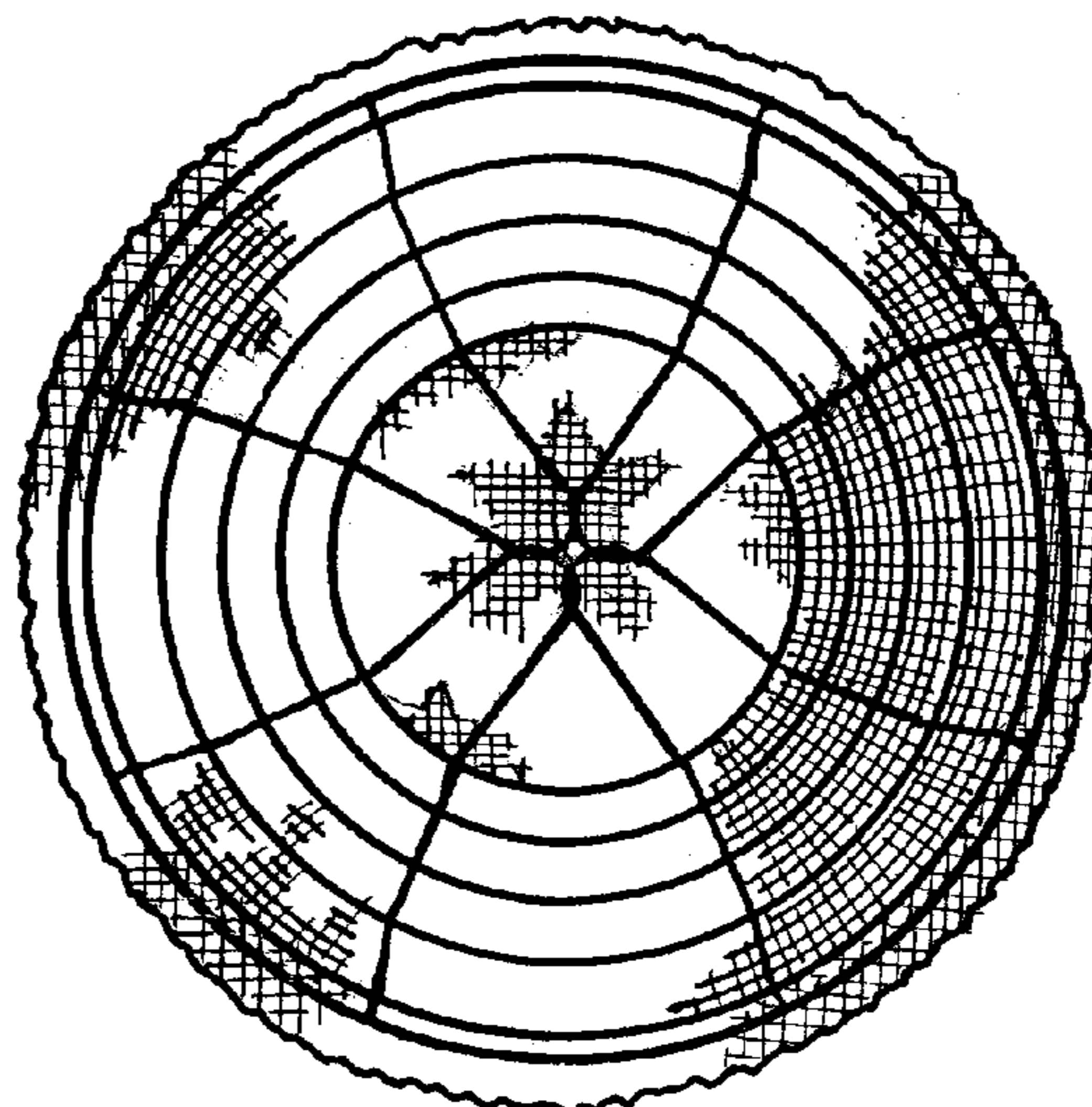
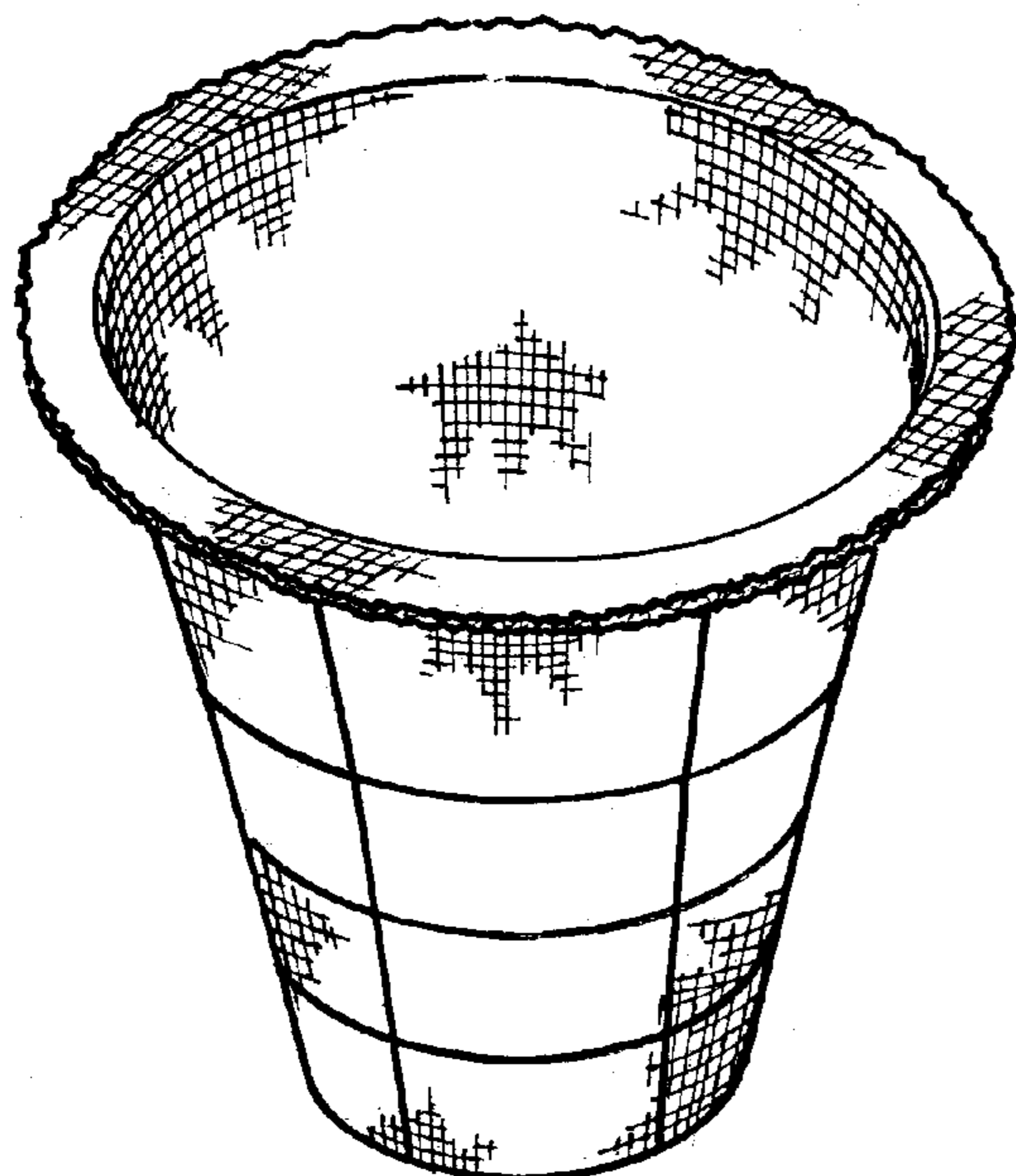


FIG-1

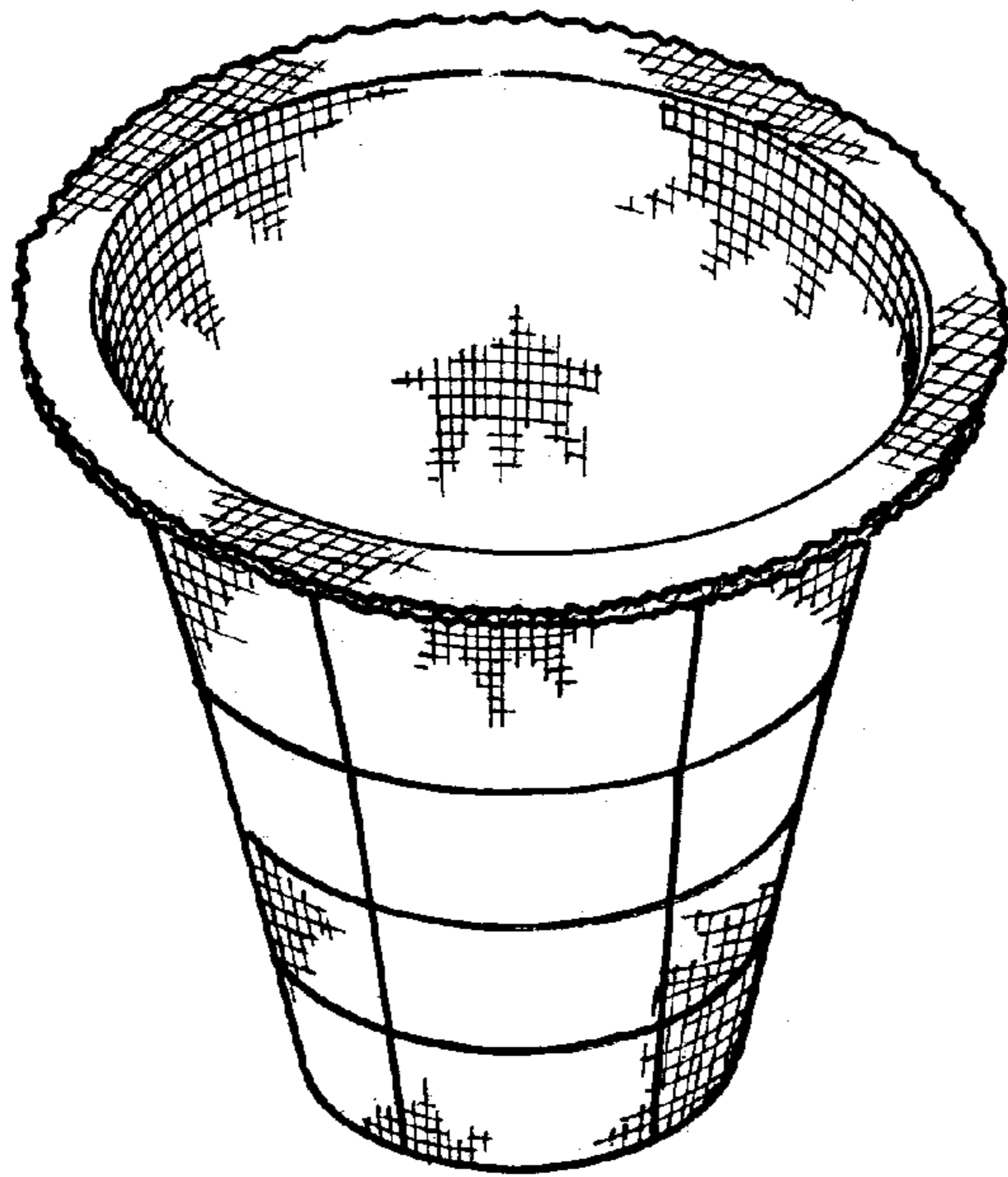


FIG-2

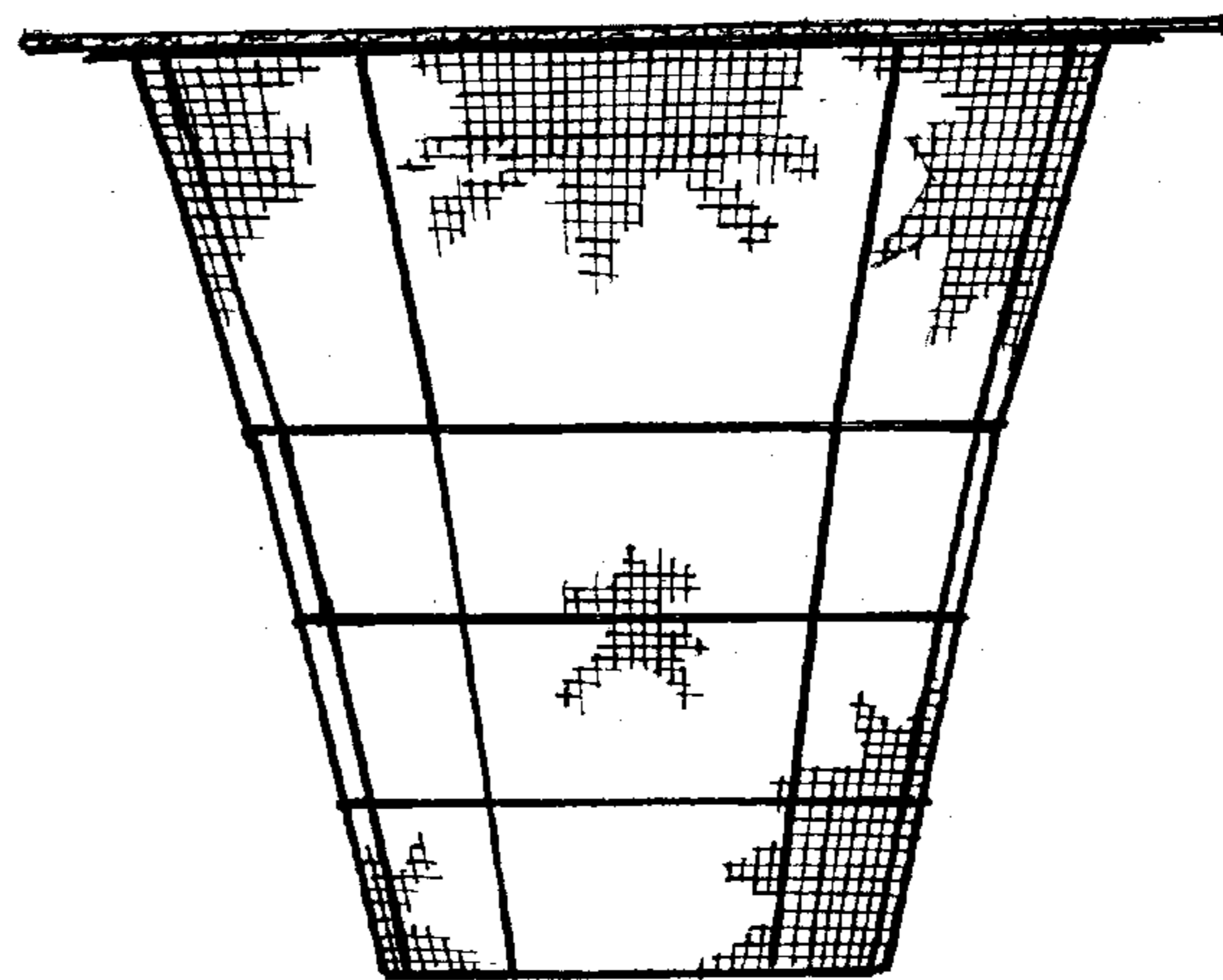


FIG-3

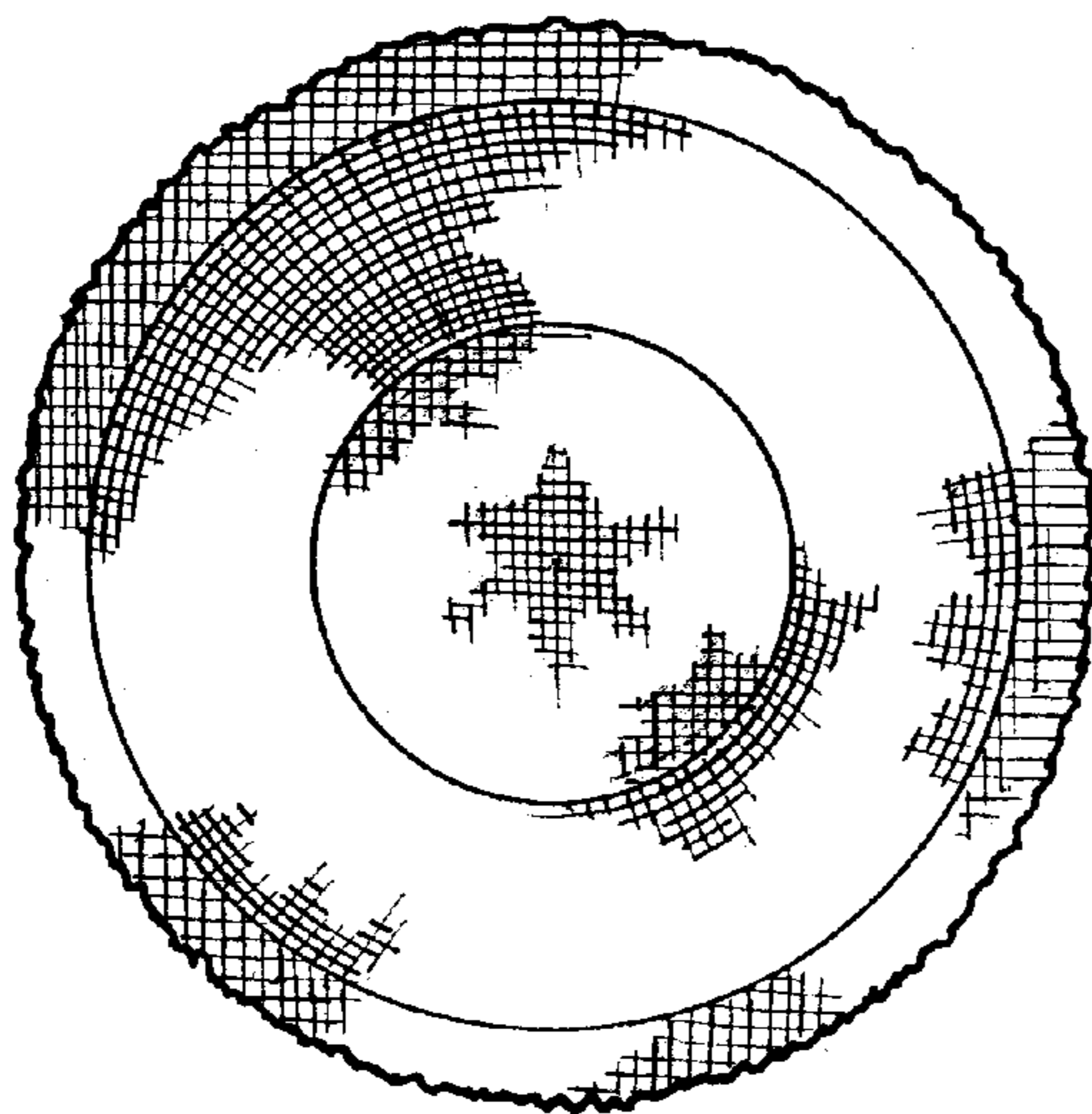


FIG-4

