



US00D604799S

(12) **United States Design Patent**  
**Sand et al.**

(10) **Patent No.:** **US D604,799 S**

(45) **Date of Patent:** **\*\* Nov. 24, 2009**

(54) **REFILLABLE CHEMICAL RESERVOIR**

(75) Inventors: **William F. Sand**, Cincinnati, OH (US);  
**Matthew S. Hayas**, Cincinnati, OH (US)

(73) Assignee: **Delaware Capital Formations**,  
Wilmington, DE (US)

(\*\*) Term: **14 Years**

(21) Appl. No.: **29/284,374**

(22) Filed: **Sep. 6, 2007**

(51) **LOC (9) Cl.** ..... **09-01**

(52) **U.S. Cl.** ..... **D23/207; D9/523; D9/524;**  
D9/548; D9/575

(58) **Field of Classification Search** ..... D9/516,  
D9/522-523, 526, 528, 530-531, 541-543,  
D9/548, 574-575; D23/202, 211.1, 225;  
215/382-384, 396, 398

See application file for complete search history.

(56) **References Cited**

**U.S. PATENT DOCUMENTS**

D203,883 S *	2/1966	Wood	.....	D9/543
D208,011 S *	6/1967	Swayze	.....	D9/523
D256,719 S *	9/1980	Rose	.....	D23/207
D265,795 S *	8/1982	Keith et al.	.....	D9/523 X
D282,244 S *	1/1986	Santoiemmo	.....	D9/543 X
D310,782 S *	9/1990	Durand	.....	D9/544 X
D313,935 S *	1/1991	Miller	.....	D9/523
D332,544 S *	1/1993	Steiner et al.	.....	D9/523 X
D342,176 S *	12/1993	Steiner et al.	.....	D9/523 X
D350,604 S *	9/1994	Weiss et al.	.....	D24/121 X
D352,545 S *	11/1994	Raffo	.....	D23/225
D356,542 S *	3/1995	Finkiewicz et al.	.....	D12/411
D400,795 S *	11/1998	de Baschmakoff	.....	D9/575 X
D407,826 S *	4/1999	Yamazaki et al.	.....	D24/224
D431,472 S *	10/2000	Cain et al.	.....	D9/524

D451,394 S *	12/2001	Studer	.....	D9/521
D472,155 S *	3/2003	DeKoning et al.	.....	D9/560
D539,653 S *	4/2007	James et al.	.....	D9/526
D540,174 S *	4/2007	Lux	.....	D9/523
D558,577 S *	1/2008	Pettigrew et al.	.....	D9/523
D582,000 S *	12/2008	Campbell	.....	D23/202

\* cited by examiner

*Primary Examiner*—Carol Rademaker

(74) *Attorney, Agent, or Firm*—Wood, Herron & Evans, LLP

(57) **CLAIM**

The ornamental design for a refillable chemical reservoir, as shown and described.

**DESCRIPTION**

FIG. 1 is a perspective view of a first embodiment of a refillable chemical reservoir according to the invention;

FIG. 2 is a front elevational view thereof;

FIG. 3 is a rear elevational view thereof; the rear elevational view of embodiment 2 being identical;

FIG. 4 is a left side elevational view thereof, the left side elevational view of embodiment 2 being identical;

FIG. 5 is a top plan view of embodiment 1, the top plan view of embodiment 2 being identical;

FIG. 6 is a bottom plan view thereof, the bottom plan view of embodiment 2 being identical;

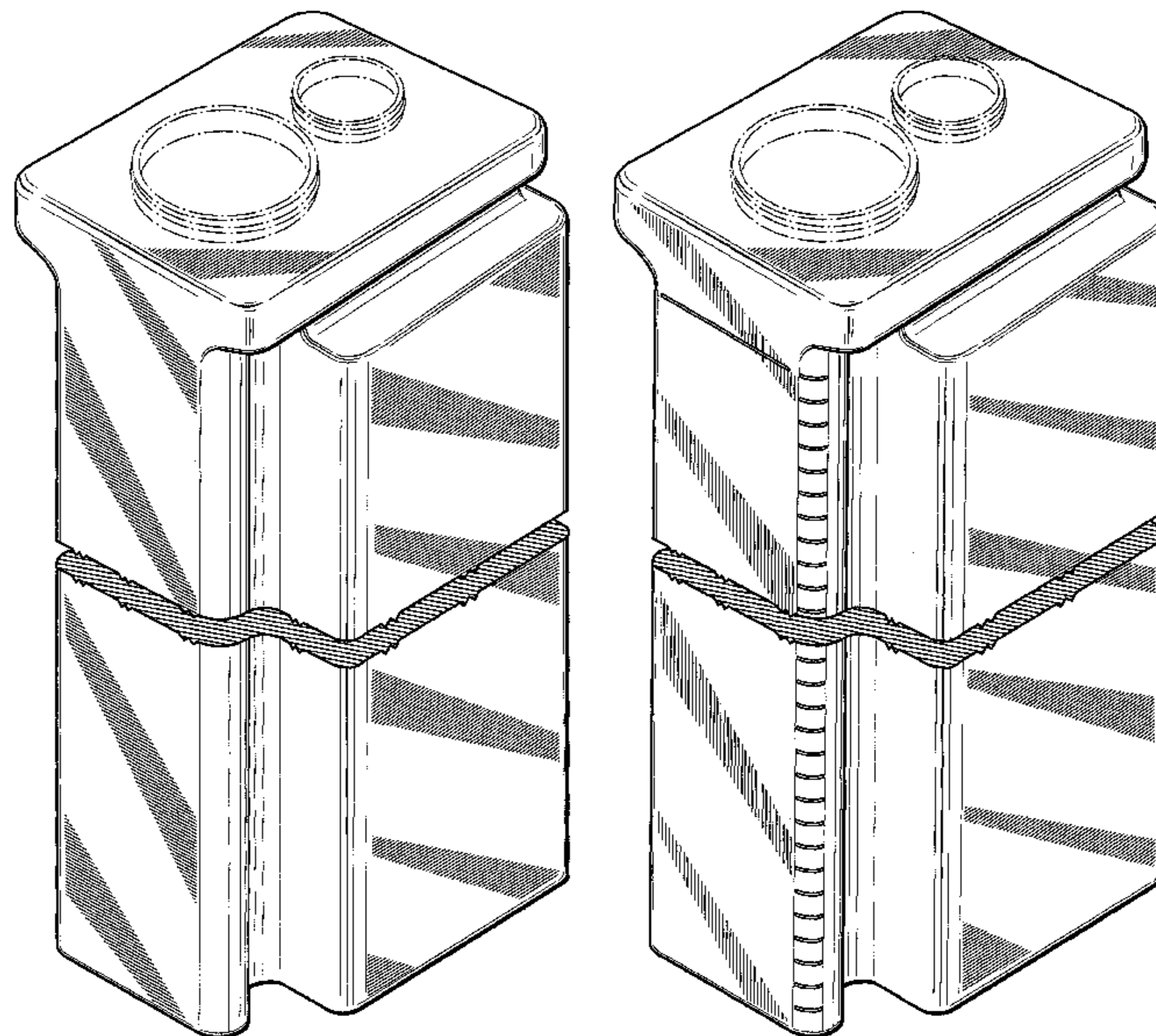
FIG. 7 is a perspective view of a second embodiment of a refillable chemical reservoir according to the invention;

FIG. 8 is a front elevational view thereof; and,

FIG. 9 is a right side elevational view thereof.

The broken lines shown in the drawings are included for the purpose of illustrating environmental structure that forms no part of the claimed design.

**1 Claim, 7 Drawing Sheets**



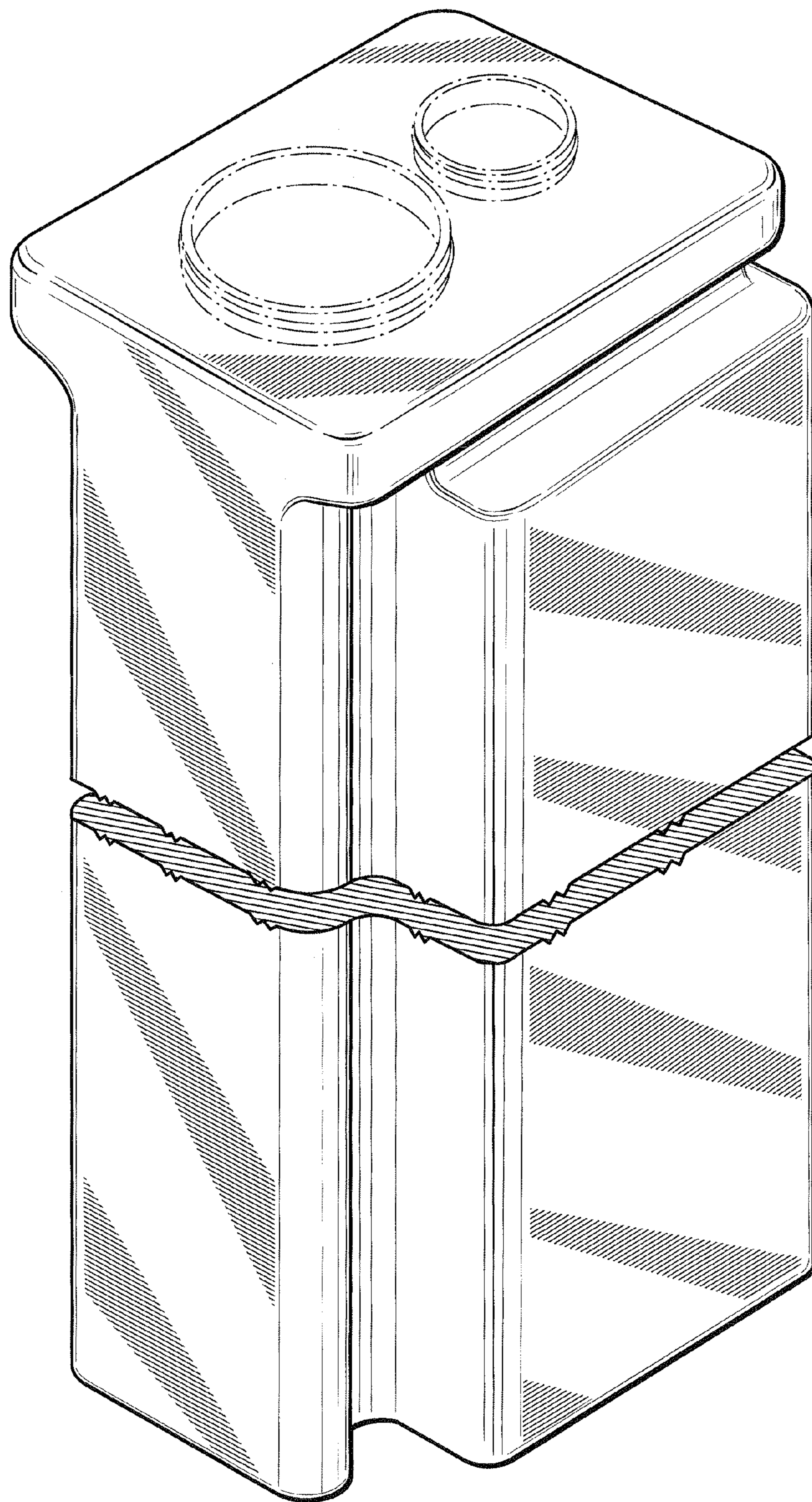


FIG. 1



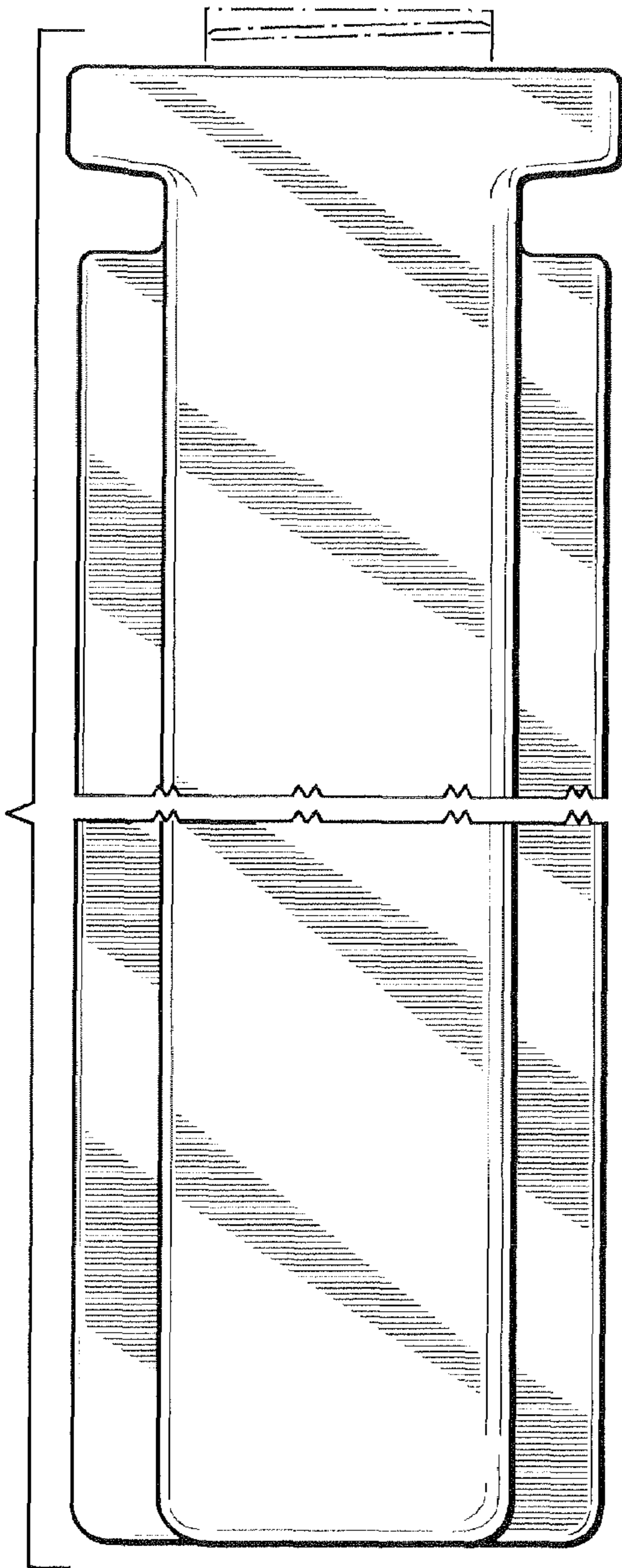


FIG. 2

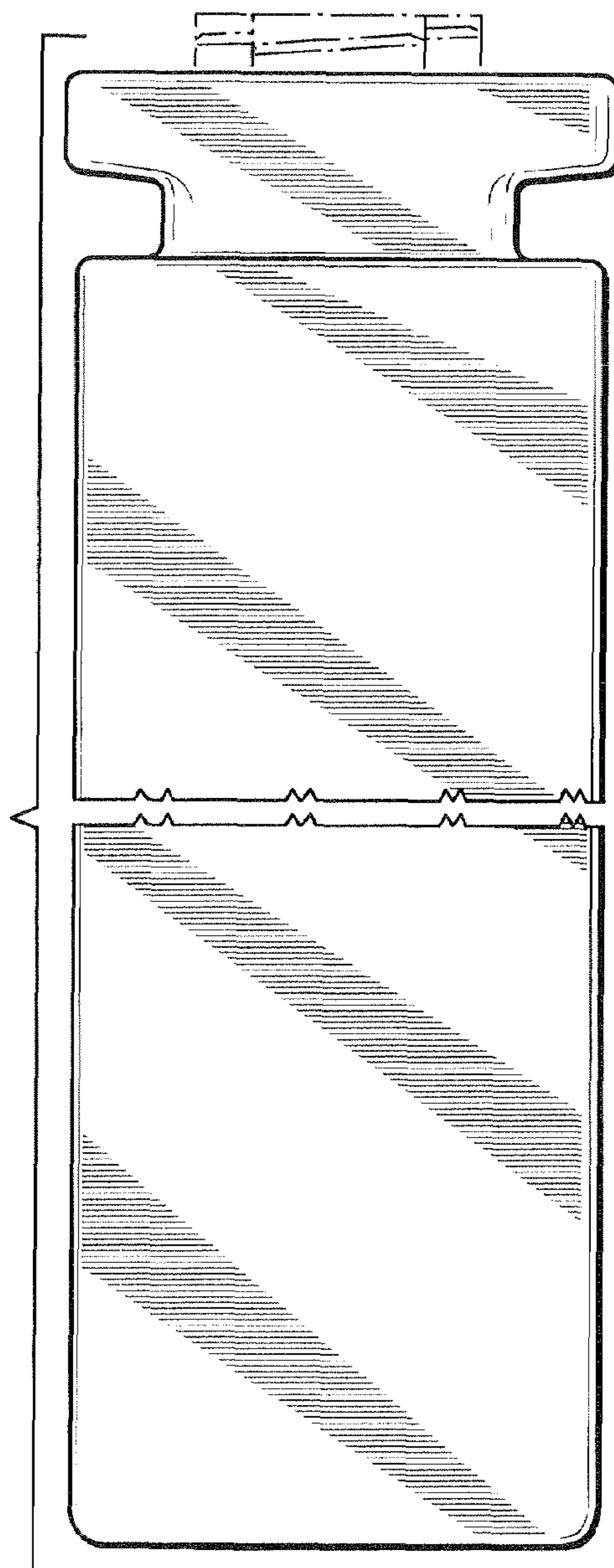


FIG. 3

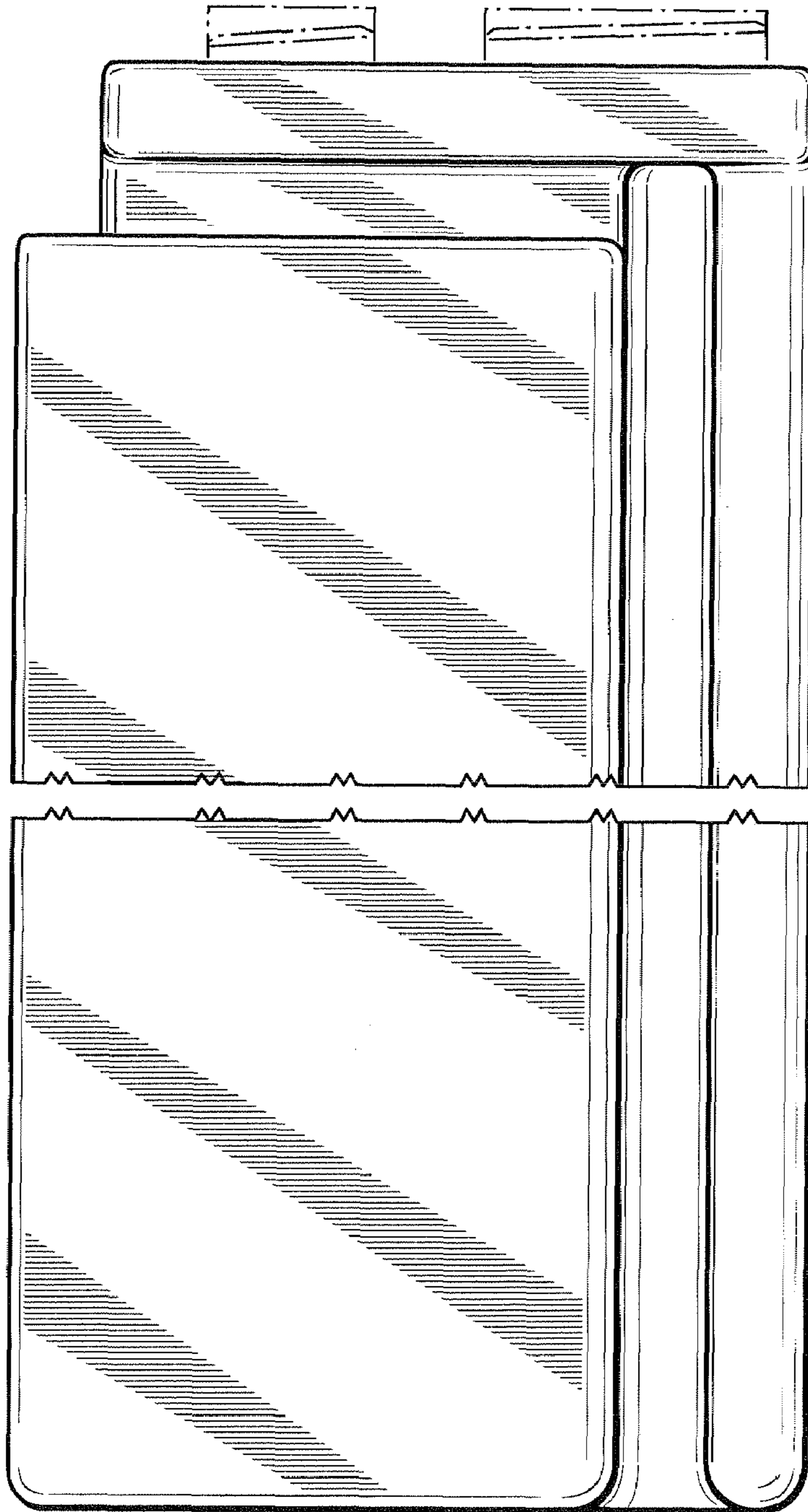


FIG. 4

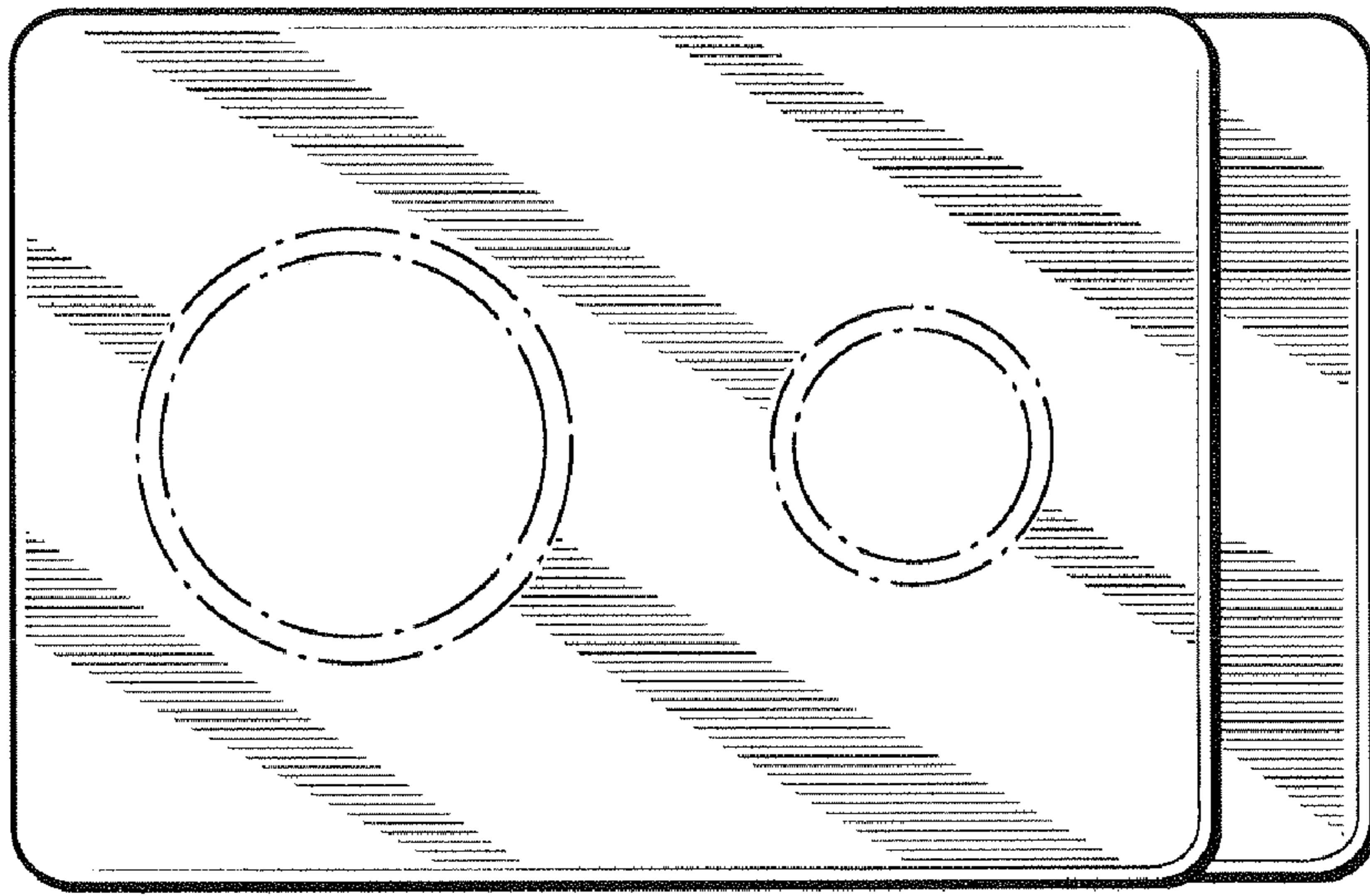


FIG. 5

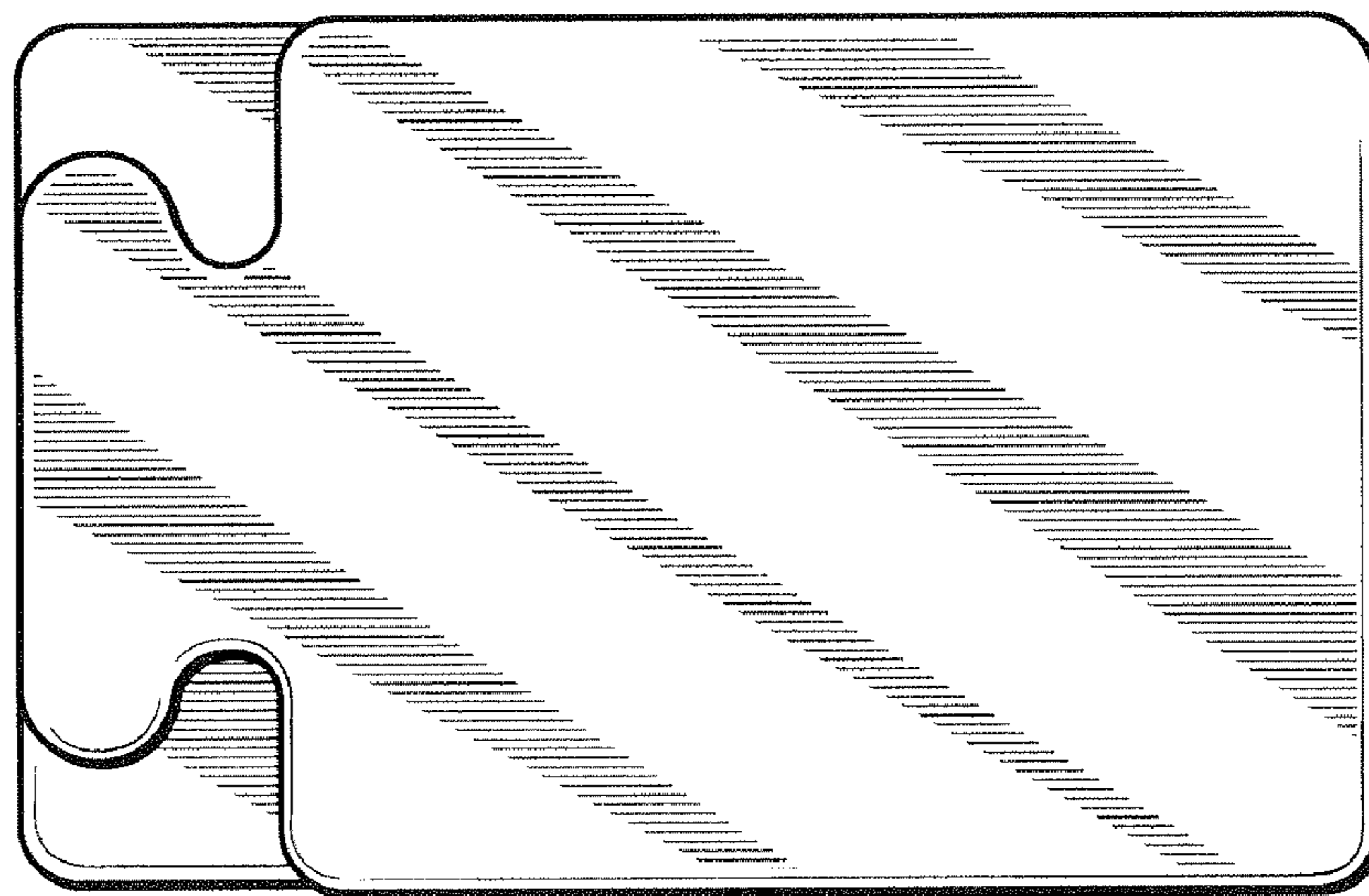


FIG. 6



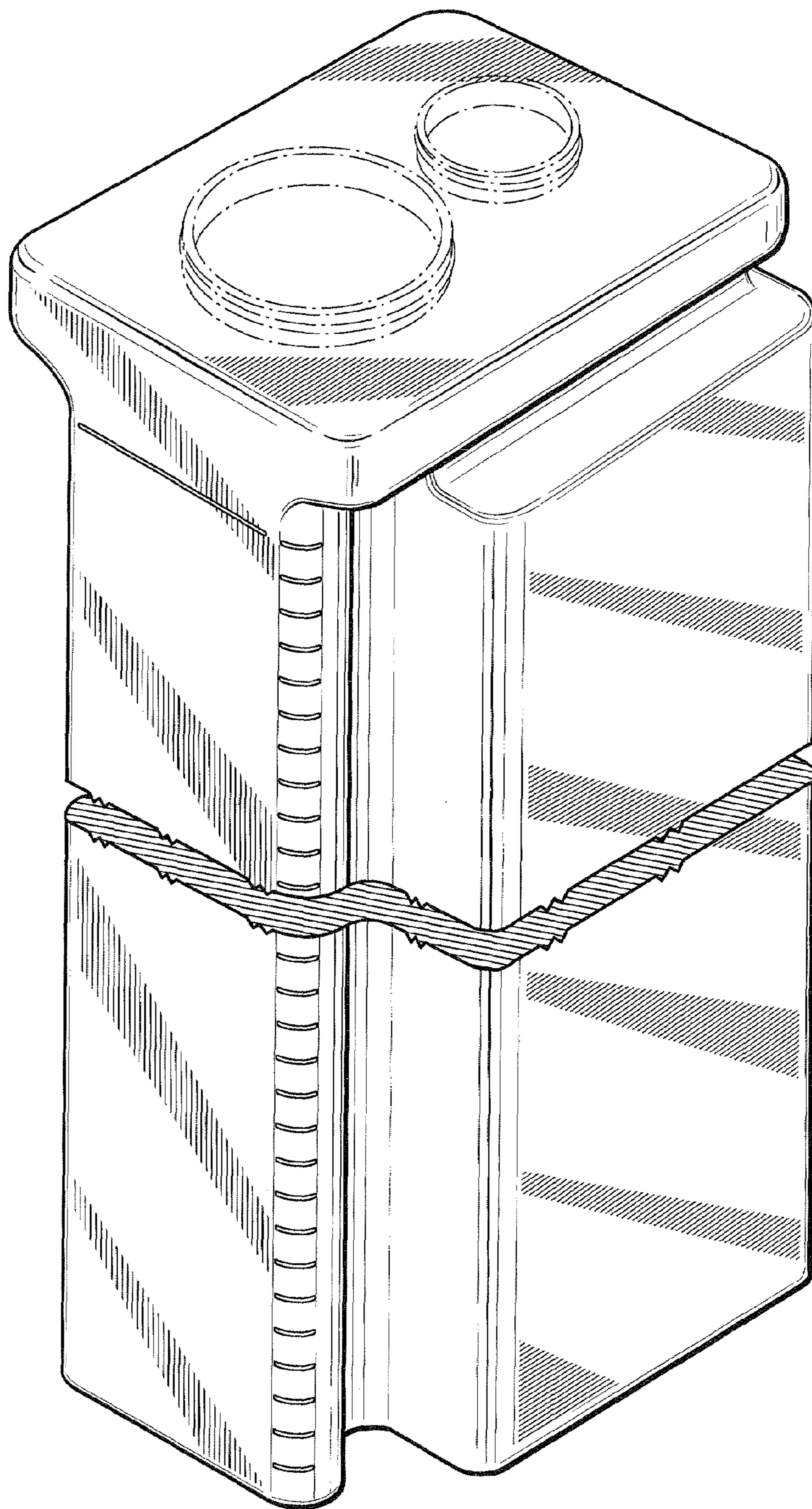


FIG. 7

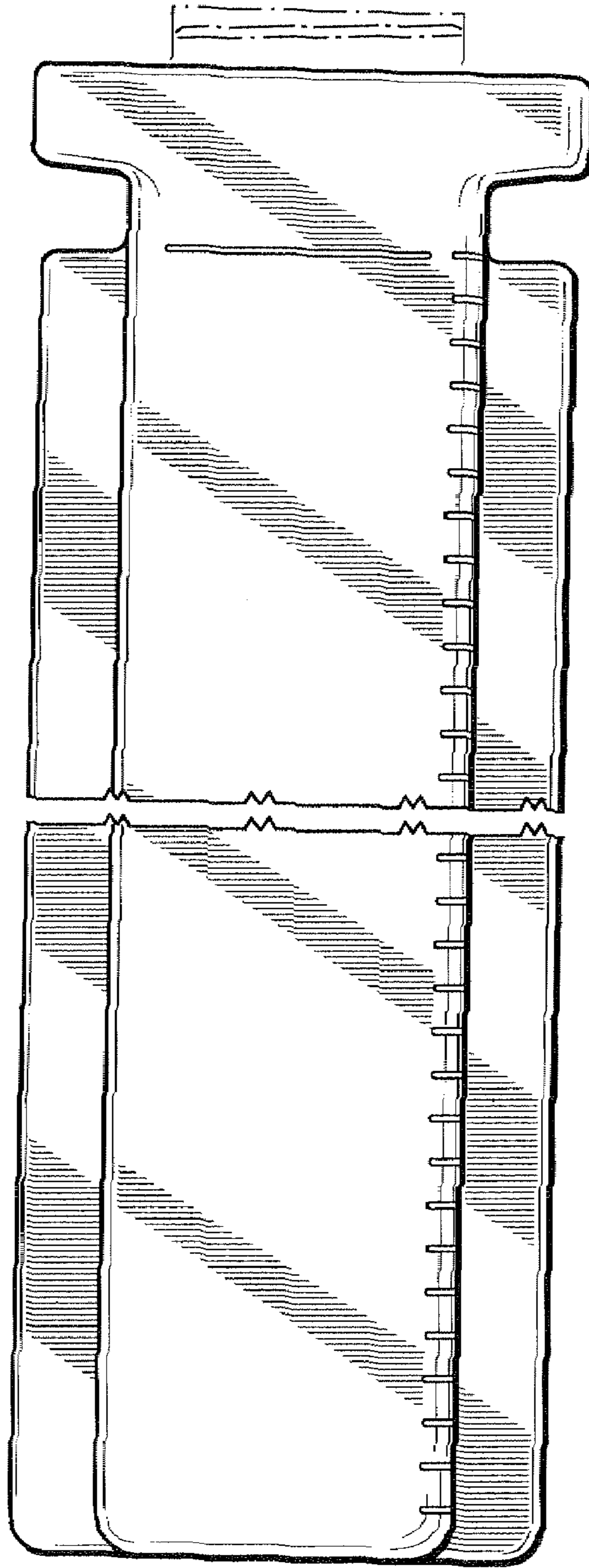


FIG. 8

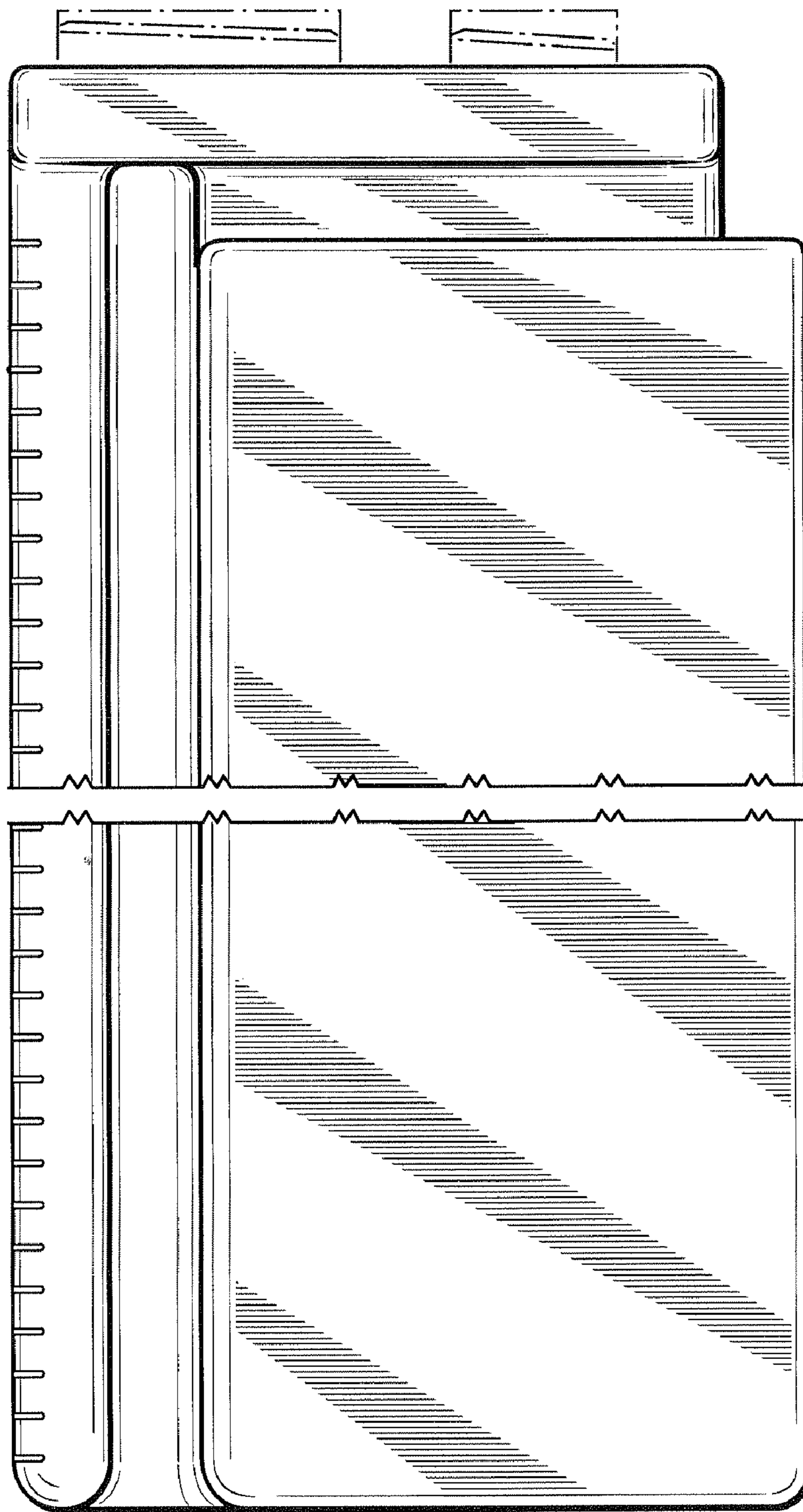


FIG. 9