

US00D604798S

(12) **United States Design Patent**  
**Scali et al.**

(10) **Patent No.:** **US D604,798 S**

(45) **Date of Patent:** **\*\* Nov. 24, 2009**

(54) **WATERFALL UNIT**

(75) Inventors: **Ian P. A. Scali**, Ontario, CA (US); **Erica A. Moir**, Santa Ana, CA (US); **Charles S. Bonzagni**, Ventura, CA (US); **Adrian Alfaro**, Menifee, CA (US)

(73) Assignee: **Sundance Spas, Inc.**, Chino, CA (US)

(\*\*) Term: **14 Years**

(21) Appl. No.: **29/331,335**

(22) Filed: **Jan. 23, 2009**

**Related U.S. Application Data**

(62) Division of application No. 29/296,552, filed on Oct. 23, 2007, now Pat. No. Des. 588,674.

(51) **LOC (9) Cl.** ..... **23-01**

(52) **U.S. Cl.** ..... **D23/201; D23/293.1**

(58) **Field of Classification Search** ..... D23/201, D23/284, 293.1; D7/304; 239/17-20  
See application file for complete search history.

(56) **References Cited**

**U.S. PATENT DOCUMENTS**

3,211,378 A \* 10/1965 Zysk ..... 239/20  
D340,970 S \* 11/1993 Kohler et al. .... D23/293.1  
D386,566 S \* 11/1997 Zankow ..... D23/201

D394,487 S \* 5/1998 Wilson ..... D23/201  
D498,292 S \* 11/2004 Piatt ..... D23/293.1  
D540,422 S \* 4/2007 Rusic ..... D23/201  
D541,390 S \* 4/2007 Bruce ..... D23/293.1  
D545,410 S \* 6/2007 Lin et al. .... D23/293.1

\* cited by examiner

*Primary Examiner*—Robin V Webster

(74) *Attorney, Agent, or Firm*—The Webb Law Firm

(57) **CLAIM**

The ornamental design for a waterfall unit, as shown and described.

**DESCRIPTION**

FIG. 1 is a perspective view of a waterfall unit showing our new design;

FIG. 2 is a front view thereof;

FIG. 3 is a rear view thereof;

FIG. 4 is a top plan view thereof;

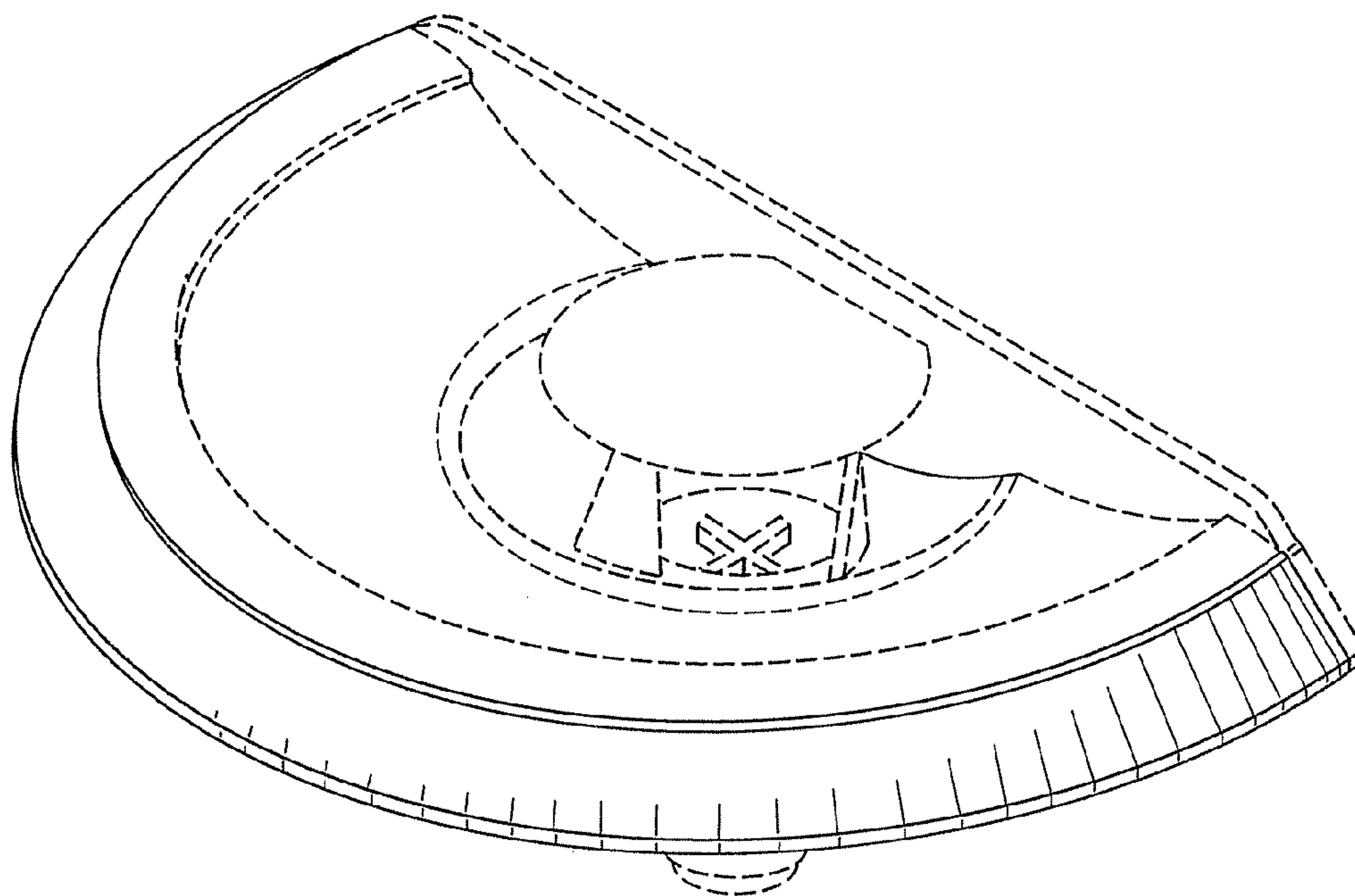
FIG. 5 is a bottom view thereof;

FIG. 6 is a side view thereof; and,

FIG. 7 is an opposing side view thereof.

The broken line portions of the disclosure are for illustrative purposes only and form no part of the claimed design.

**1 Claim, 4 Drawing Sheets**



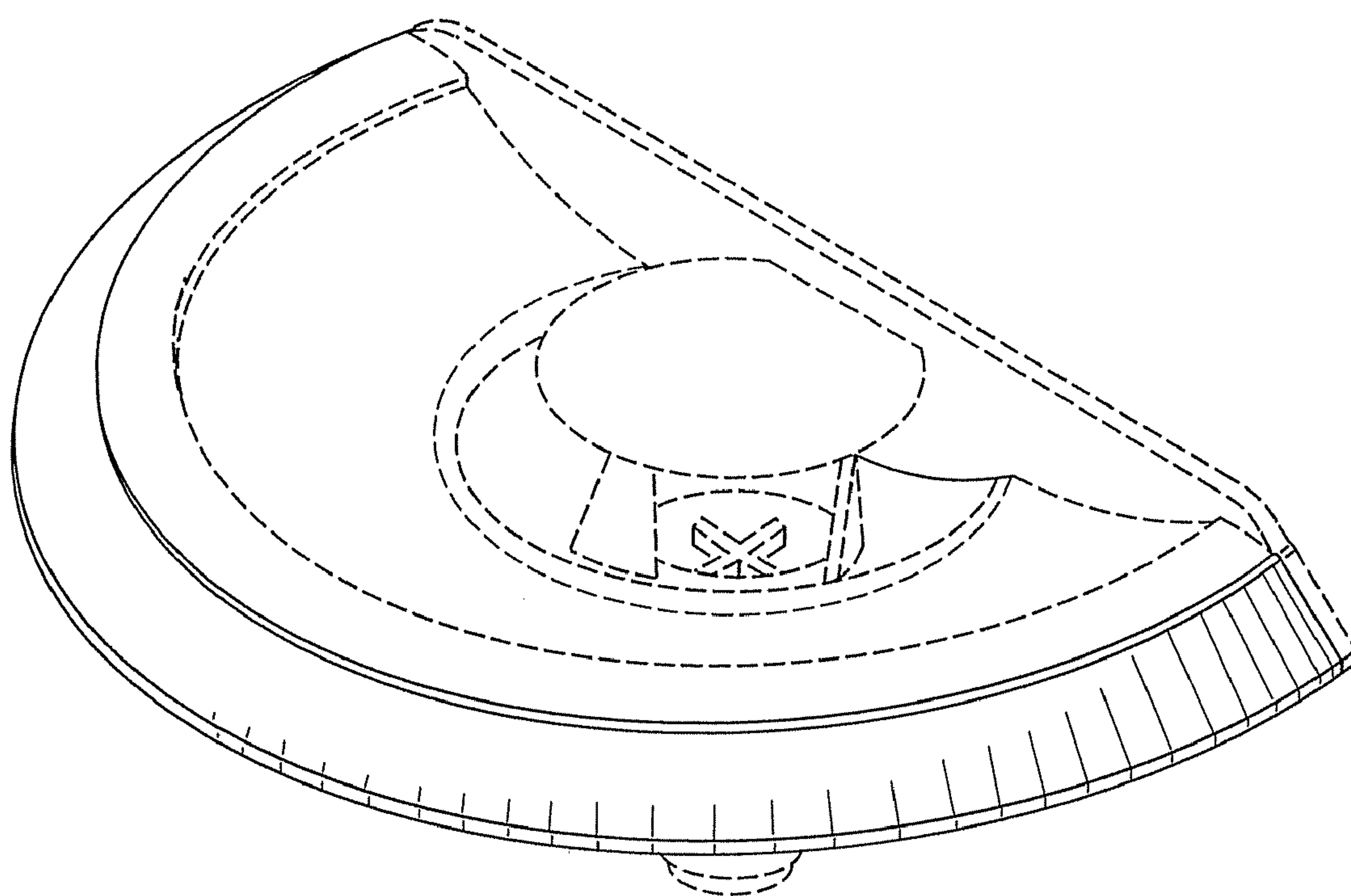


FIG. 1

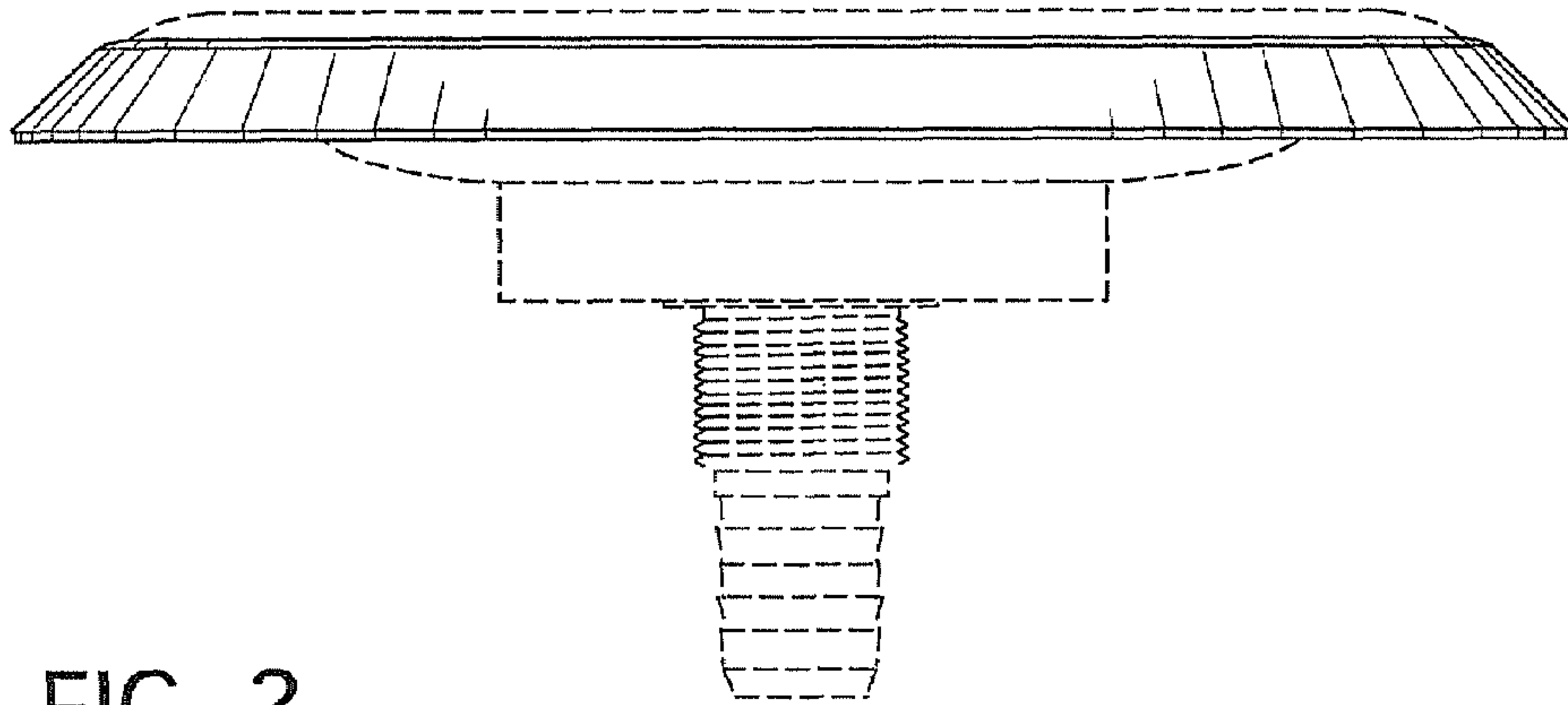


FIG. 2

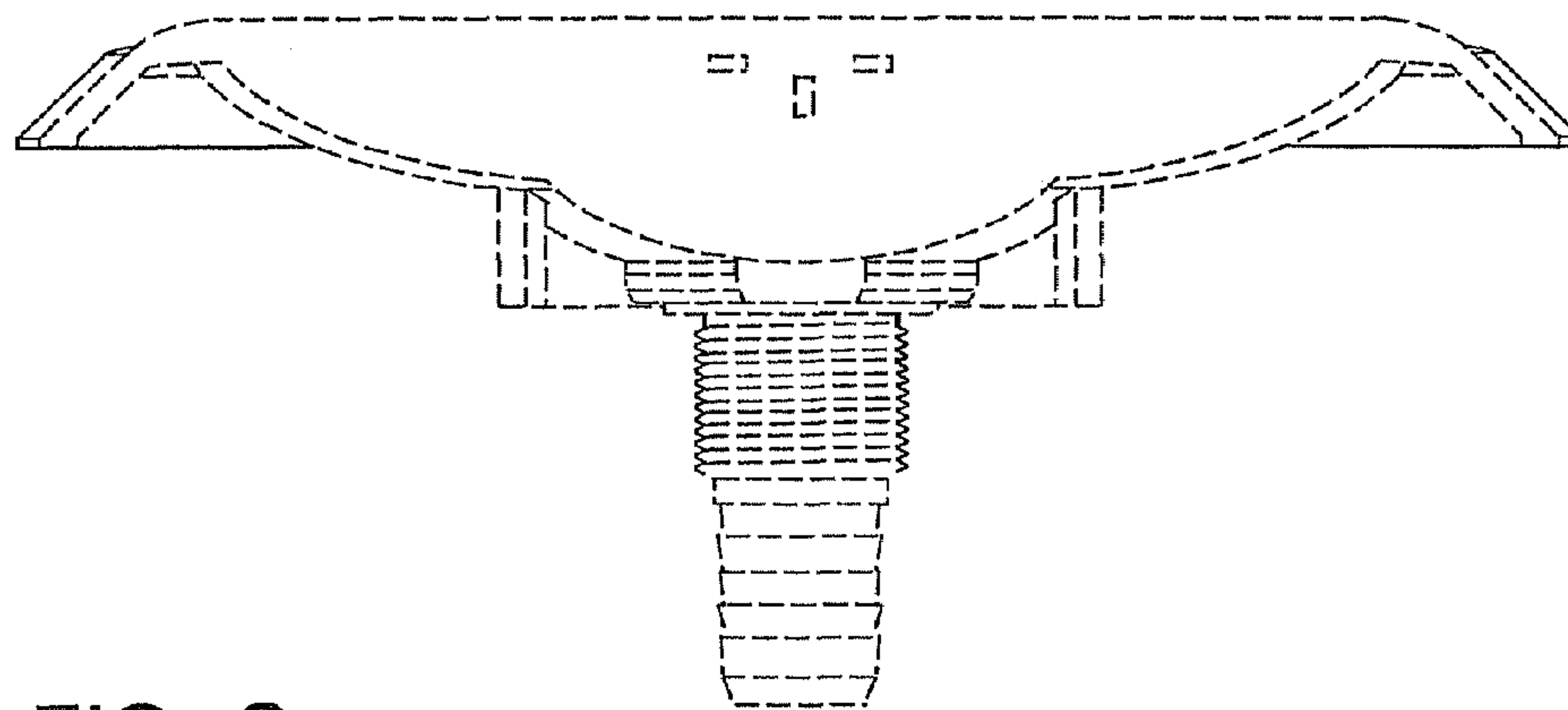


FIG. 3

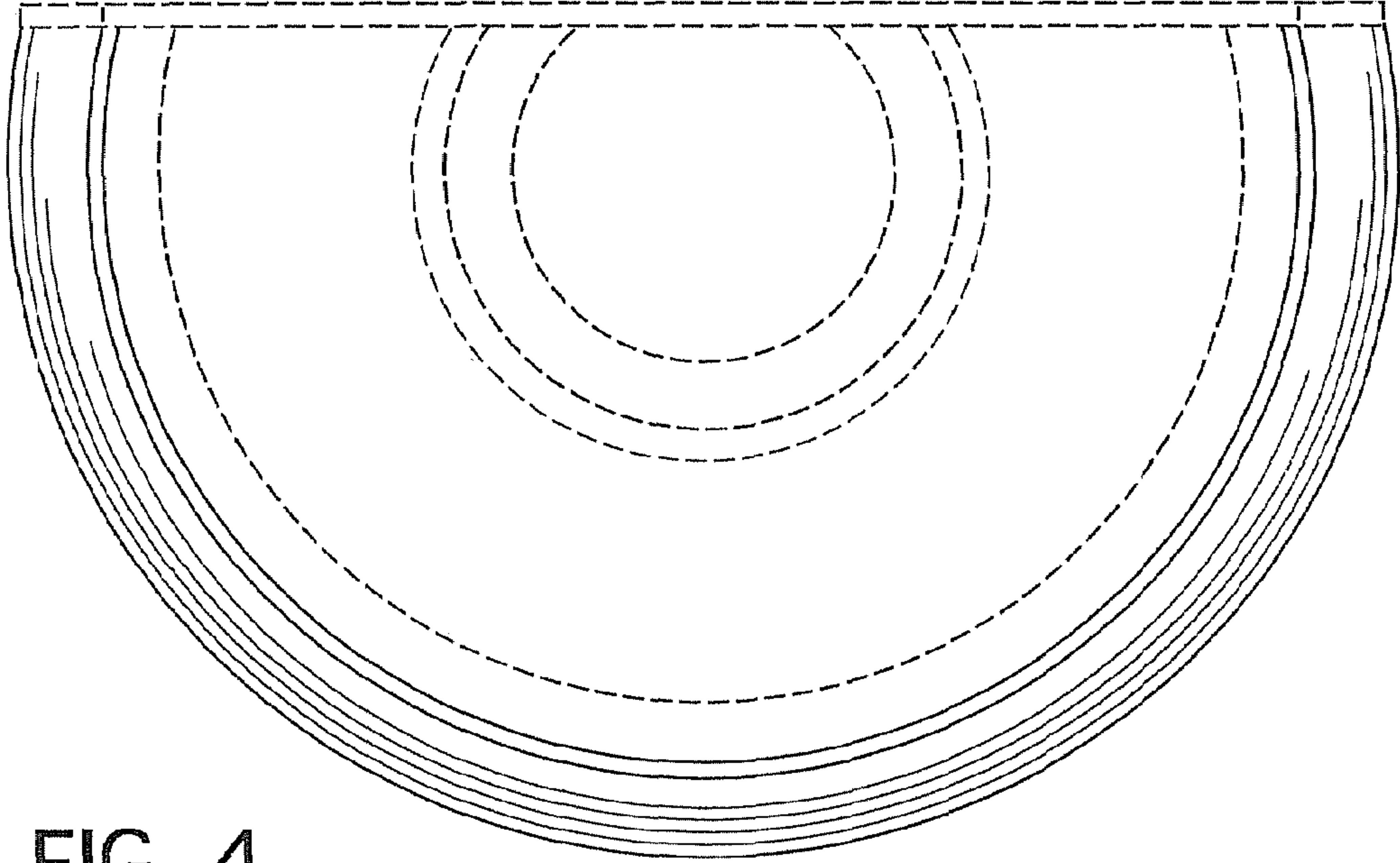


FIG. 4

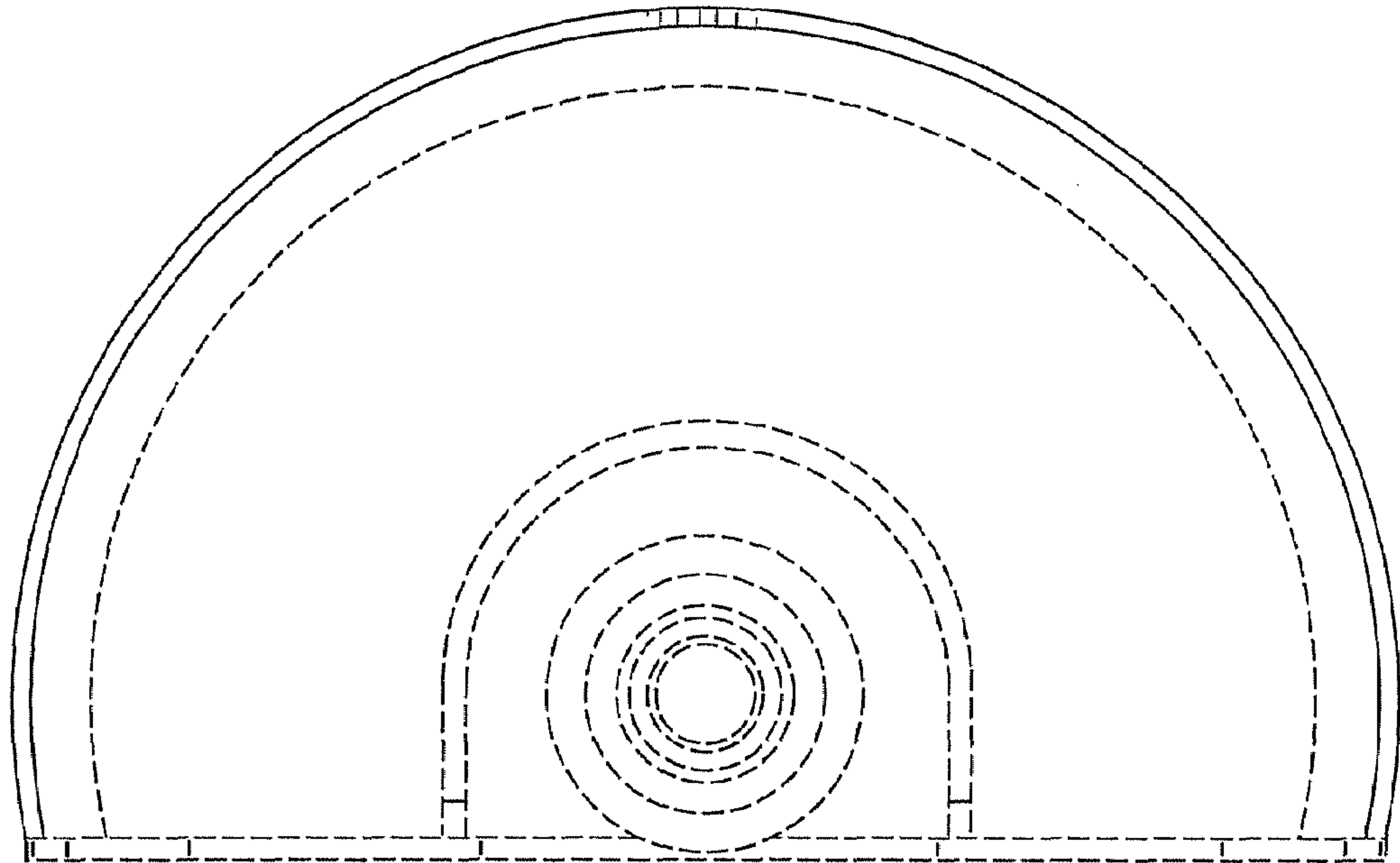


FIG. 5

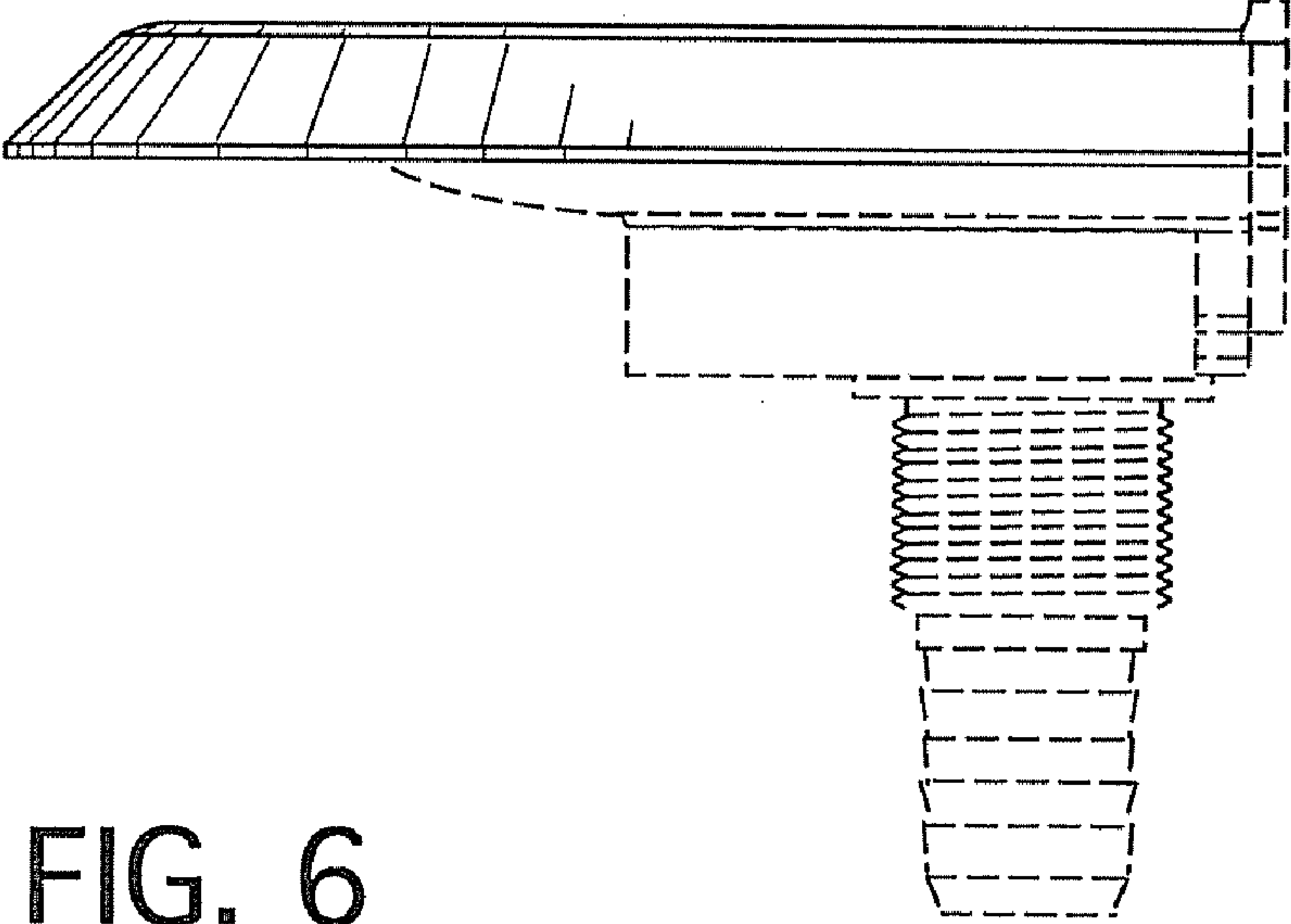


FIG. 6

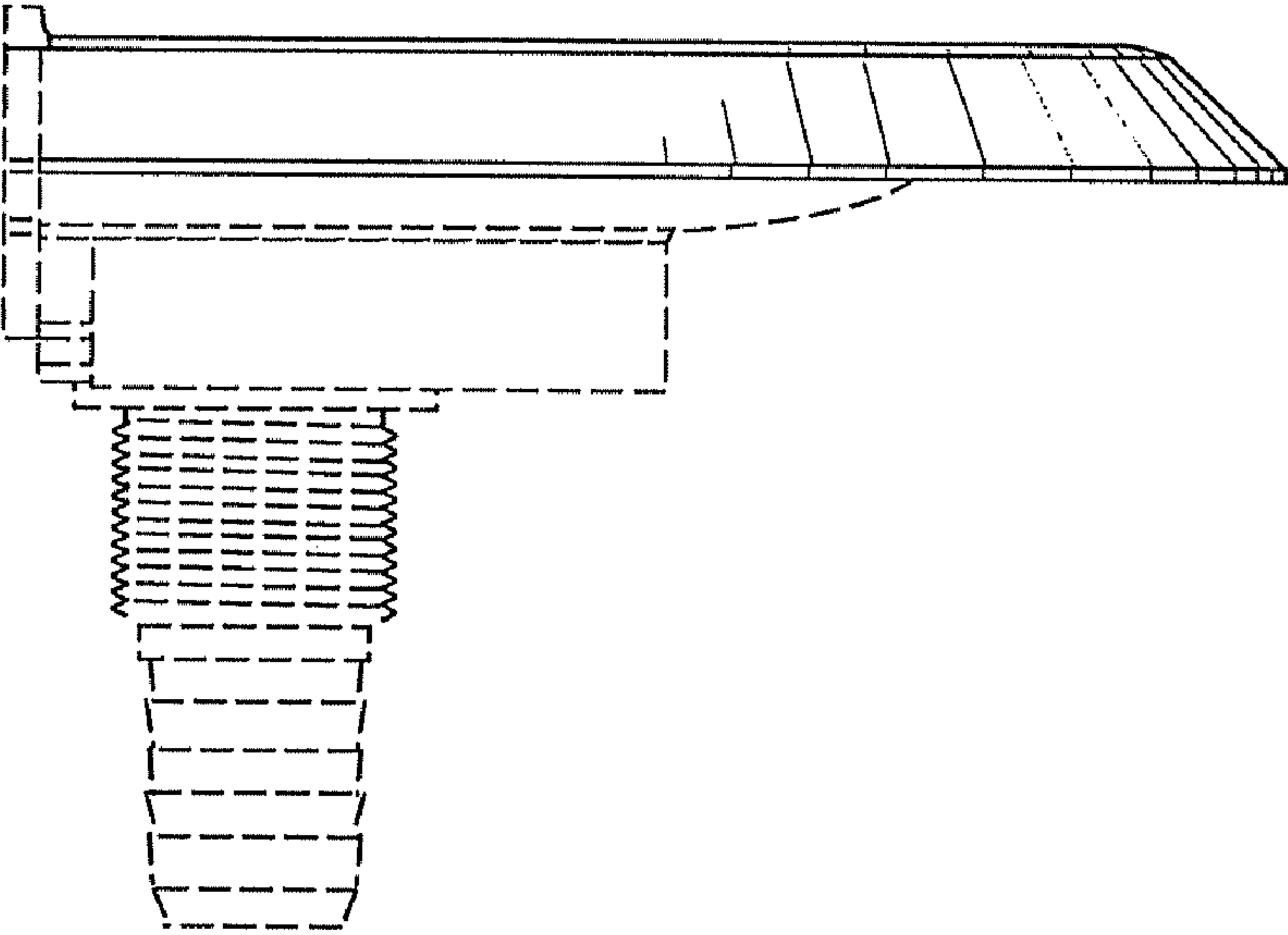


FIG. 7