

US00D604793S

(12) **United States Design Patent**  
**Fitzpatrick et al.**

(10) **Patent No.:** **US D604,793 S**  
(45) **Date of Patent:** **\*\* Nov. 24, 2009**

(54) **AUTOMATIC RIFLE**

(75) Inventors: **Richard Fitzpatrick**, Longmont, CO  
(US); **Michael T Mayberry**, Denver, CO  
(US); **Brian Nakayama**, Arvada, CO  
(US)

(73) Assignee: **Magpul Industries Corporation**,  
Boulder, CO (US)

(\*\*) Term: **14 Years**

(21) Appl. No.: **29/302,200**

(22) Filed: **Jan. 11, 2008**

(51) **LOC (9) Cl.** ..... **22-01**

(52) **U.S. Cl.** ..... **D22/108**

(58) **Field of Classification Search** ..... D22/100,  
D22/101, 103, 108; D21/572, 573; 42/51,  
42/71.01, 75.01, 75.02, 90, 7, 16; 362/110;  
124/66, 67, 74; 89/40.06, 37.04, 33.04  
See application file for complete search history.

(56) **References Cited**

**U.S. PATENT DOCUMENTS**

3,939,589	A	2/1976	Tellie	
5,343,650	A	9/1994	Swan	
5,900,577	A *	5/1999	Robinson et al. ....	89/191.01
D512,117	S *	11/2005	Murello et al. ....	D22/103
D516,660	S *	3/2006	Murello et al. ....	D22/100
D517,152	S *	3/2006	Murello et al. ....	D22/103
D517,637	S *	3/2006	Murello et al. ....	D22/100
D551,313	S *	9/2007	Saur et al. ....	D22/103
7,316,091	B1 *	1/2008	Desomma .....	42/16

D590,473	S	4/2009	Fitzpatrick	
2001/0042334	A1 *	11/2001	Weichert et al. ....	42/105
2004/0000083	A1	1/2004	Grant	
2004/0244258	A1 *	12/2004	O'Dwyer et al. ....	42/77
2008/0168695	A1	7/2008	Nakayama	
2008/0236016	A1	10/2008	Fitzpatrick	
2008/0236017	A1	10/2008	Fitzpatrick	

\* cited by examiner

*Primary Examiner*—Cathron C Brooks

*Assistant Examiner*—Melanie Levy

(74) *Attorney, Agent, or Firm*—Swanson & Bratschun,  
L.L.C.

(57) **CLAIM**

The ornamental design for an automatic rifle, as shown and described.

**DESCRIPTION**

FIG. 1 is a left side perspective view of an automatic rifle showing our new design;

FIG. 2 is a right side perspective view of the rifle of FIG. 1;

FIG. 3 is a left side elevation view of the rifle of FIG. 1;

FIG. 4 is a right side elevation view of the rifle of FIG. 1;

FIG. 5 is a top plan view of the rifle of FIG. 1;

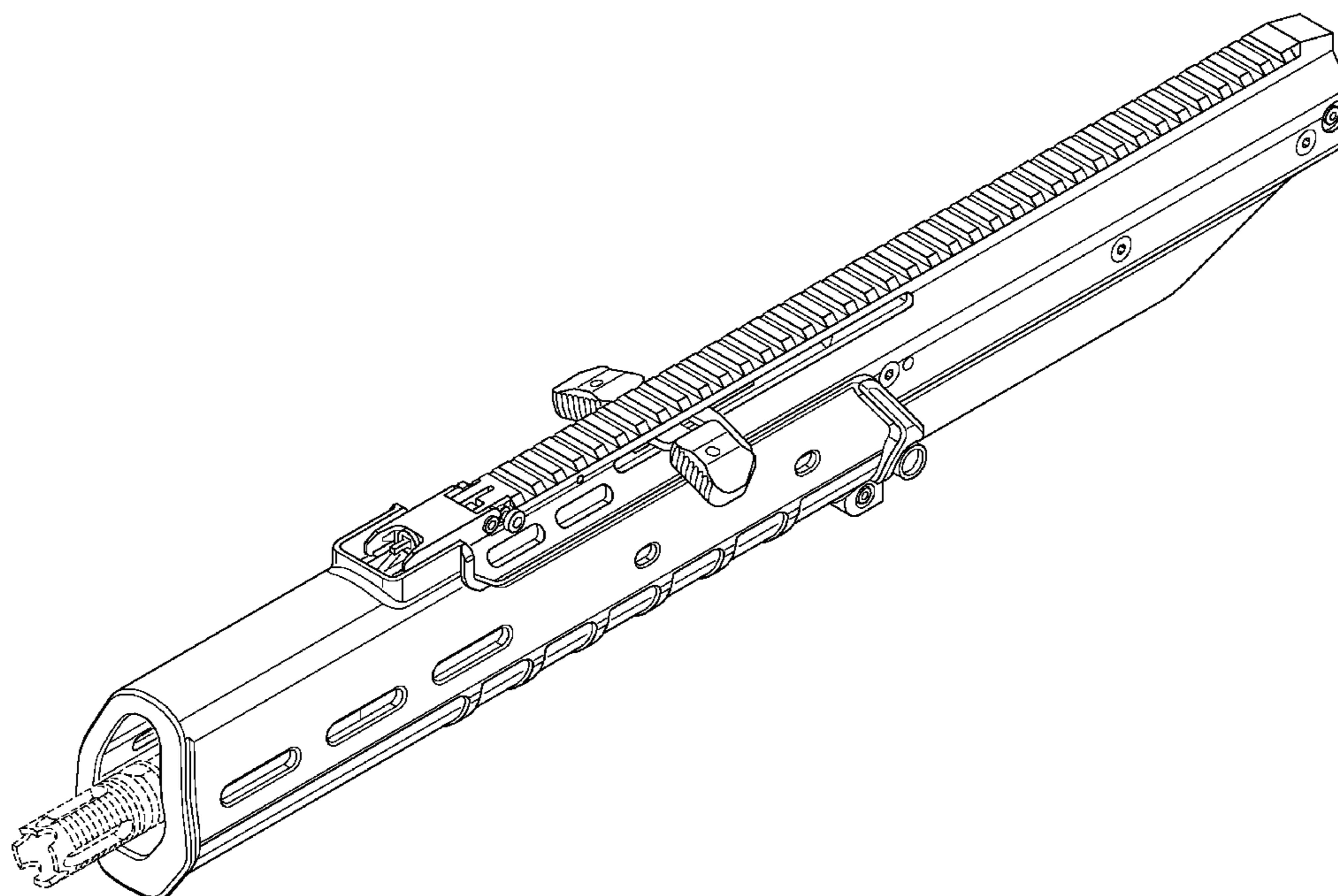
FIG. 6 is a bottom plan view of the rifle of FIG. 1;

FIG. 7 is a front elevation view of the rifle of FIG. 1; and,

FIG. 8 is a rear elevation view of the rifle of FIG. 1.

The broken lines shown in the drawings represent unclaimed portions of the design and form no part thereof.

**1 Claim, 4 Drawing Sheets**



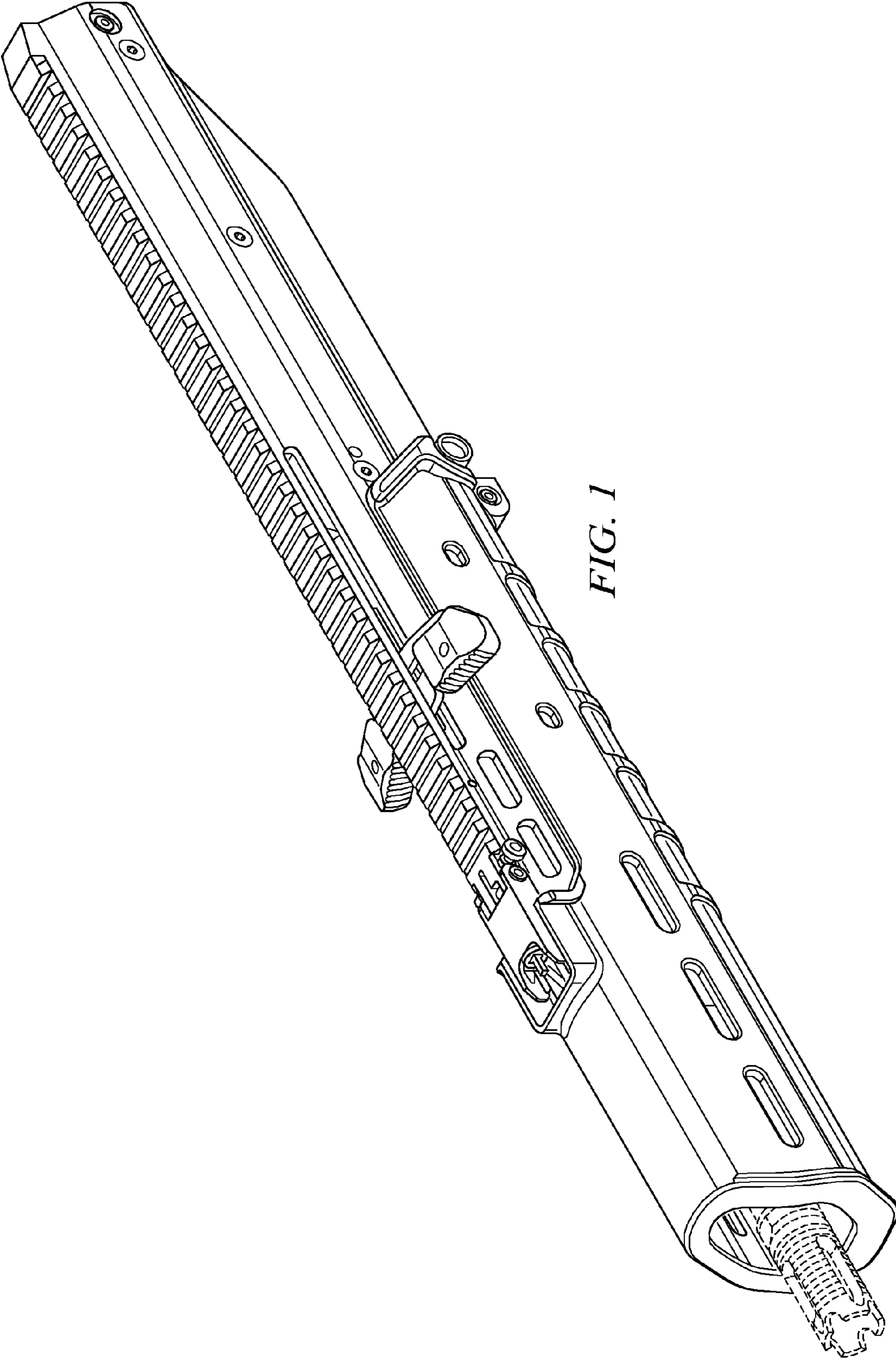


FIG. 1

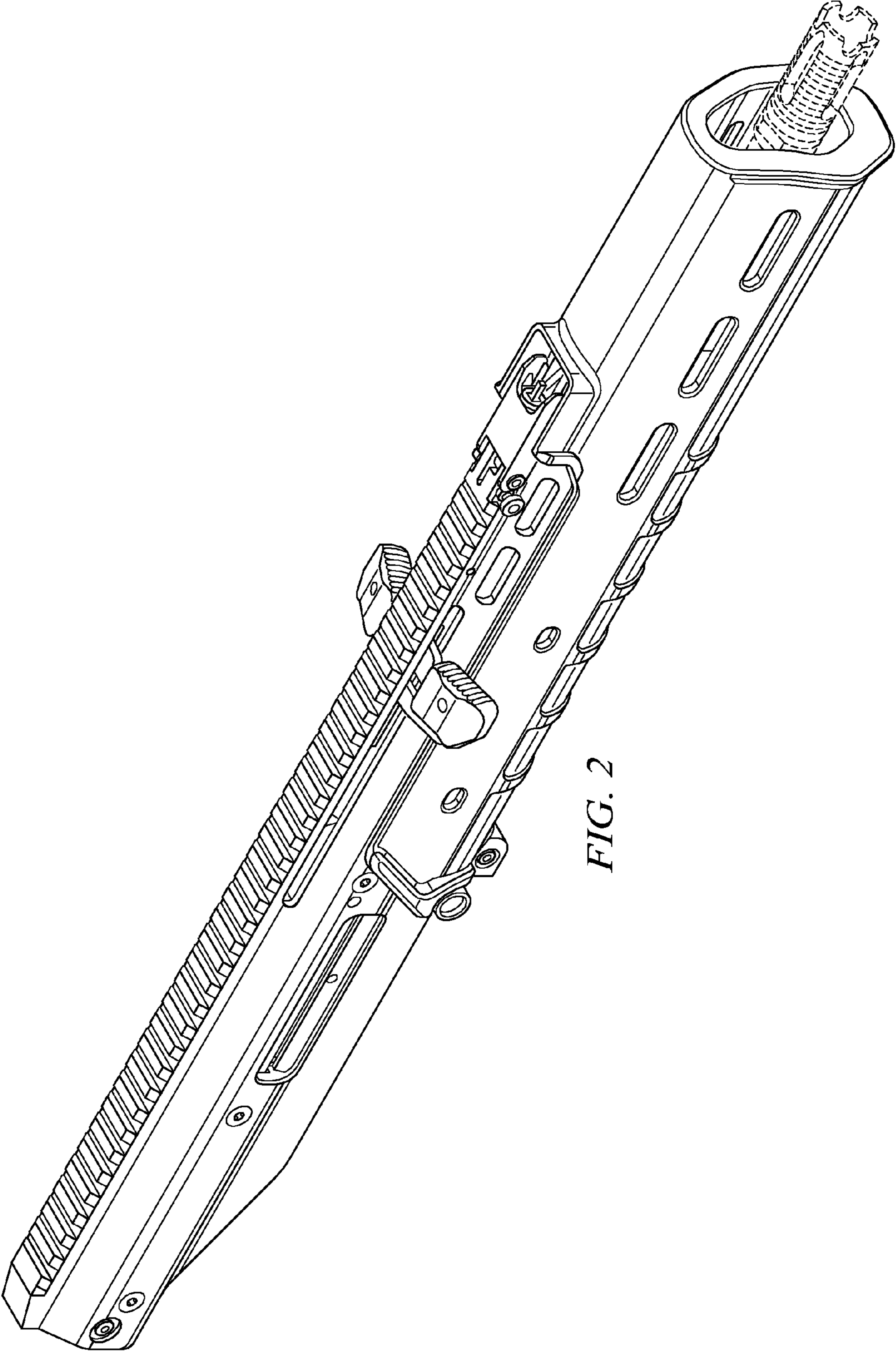


FIG. 2

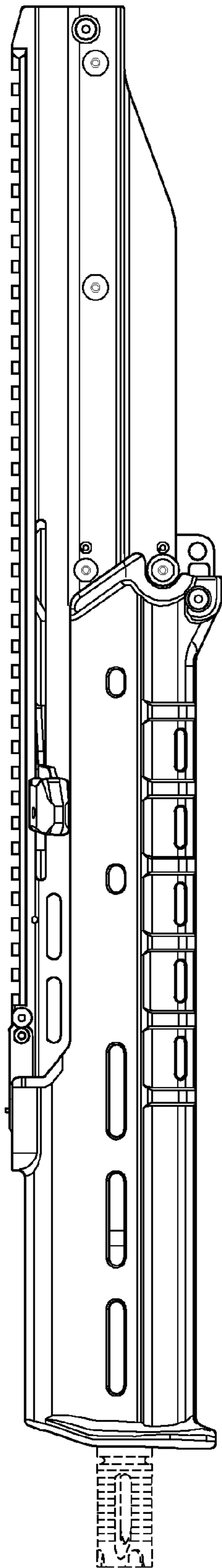


FIG. 3

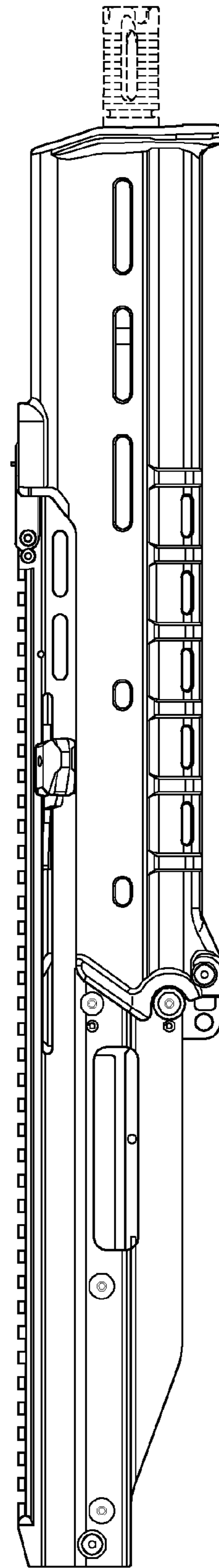


FIG. 4

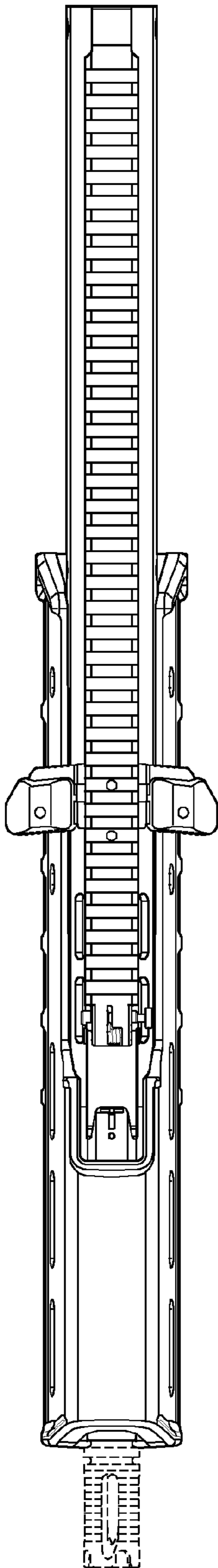


FIG. 5

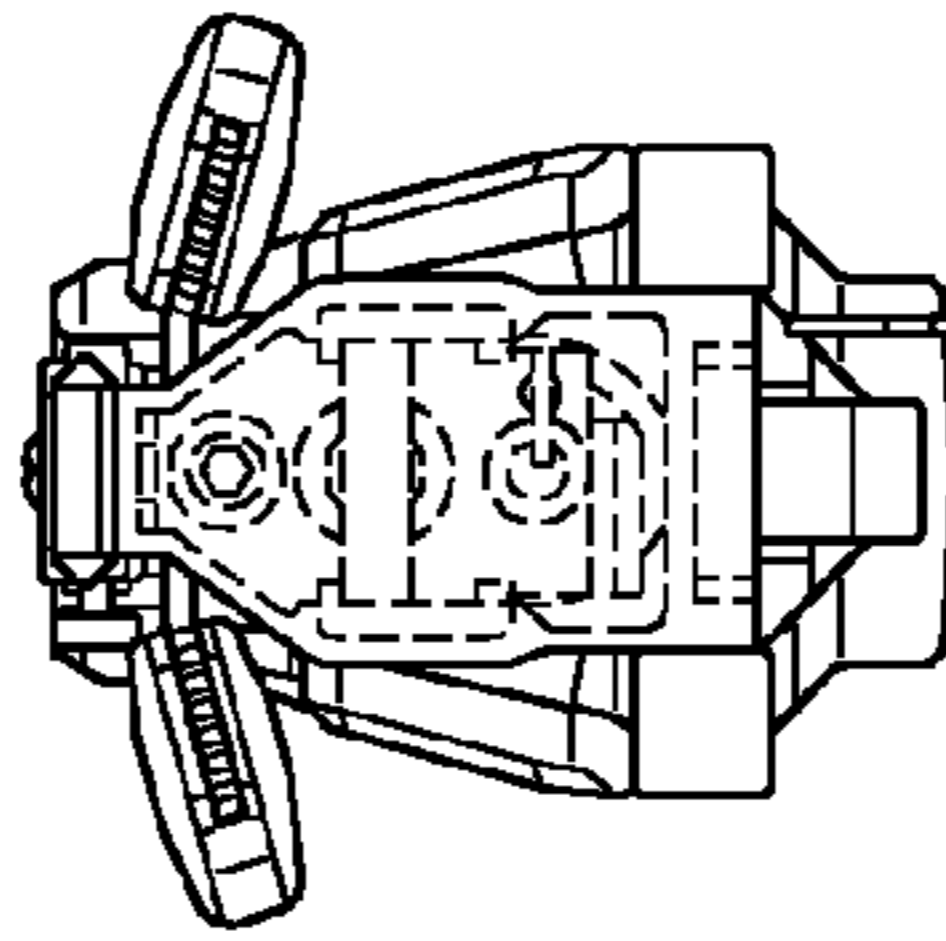


FIG. 8

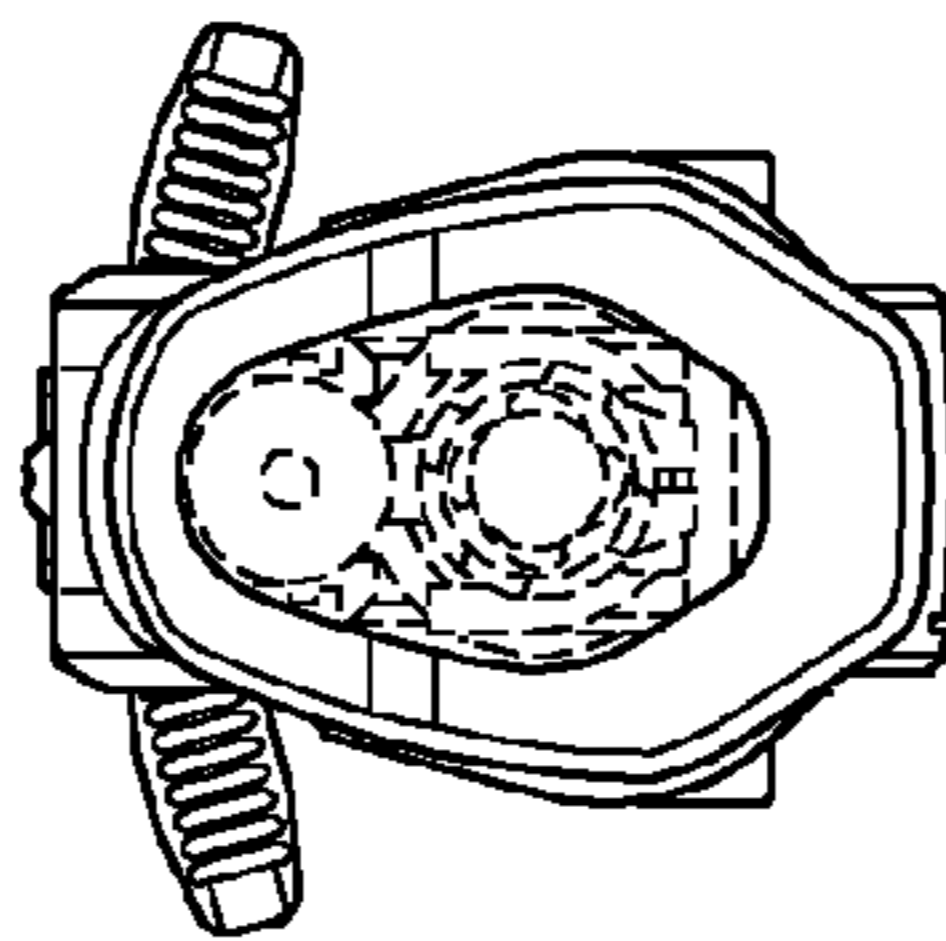


FIG. 7

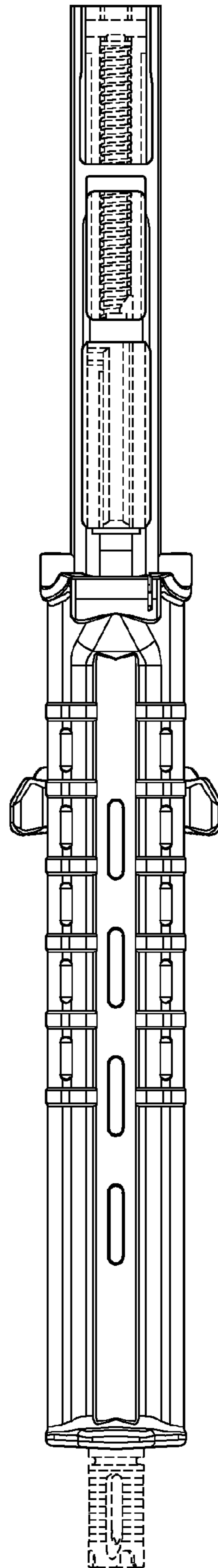


FIG. 6