



US00D604790S

(12) **United States Design Patent**
Kearl et al.

(10) **Patent No.:** **US D604,790 S**

(45) **Date of Patent:** **** Nov. 24, 2009**

(54) **PLAYGROUND EQUIPMENT**

(75) Inventors: **Jacob Kearl**, Plain City, UT (US);
Stephen F. Nye, Syracuse, UT (US)

(73) Assignee: **Lifetime Products, Inc.**, Clearfield, UT (US)

(**) Term: **14 Years**

(21) Appl. No.: **29/337,258**

(22) Filed: **May 18, 2009**

Related U.S. Application Data

(63) Continuation of application No. 29/318,955, filed on May 31, 2008, now Pat. No. Des. 593,179.

(51) **LOC (9) Cl.** **21-03**

(52) **U.S. Cl.** **D21/827**

(58) **Field of Classification Search** D21/811,
D21/814, 818-827; 482/35, 36; 472/116,
472/117

See application file for complete search history.

(56) **References Cited**

U.S. PATENT DOCUMENTS

1,466,031	A	*	8/1923	Rippin	297/181
D165,593	S	*	1/1952	Low	D21/825
D191,749	S	*	11/1961	Haubert	D21/827
D194,214	S	*	12/1962	Shepard	D21/827
D195,633	S	*	7/1963	Haubert	D21/827
D200,478	S	*	3/1965	Haubert	D21/820
D212,193	S	*	9/1968	Rudy	D21/827
D223,674	S	*	5/1972	Johnson	D21/827
D225,072	S	*	11/1972	Henning et al.	D21/827
D225,073	S	*	11/1972	Henning et al.	D21/827

D226,318	S	*	2/1973	Henning et al.	D21/827
D236,276	S	*	8/1975	Rudy	D21/827
D257,875	S	*	1/1981	Rudy	D21/827
D281,893	S	*	12/1985	Addleman	D21/827
D479,569	S	*	9/2003	Van Deusen	D21/827
D481,094	S	*	10/2003	Van Deusen	D21/820
D481,095	S	*	10/2003	Van Deusen	D21/827
D481,779	S	*	11/2003	Van Deusen	D21/827
D593,179	S	*	5/2009	Kearl et al.	D21/827

* cited by examiner

Primary Examiner—Mitchell I Siegel

(74) *Attorney, Agent, or Firm*—Workman Nydegger

(57) **CLAIM**

The ornamental design for playground equipment, as shown and described.

DESCRIPTION

FIG. 1 is a top perspective view of playground equipment showing our new design;

FIG. 2 is a right side view of the playground equipment shown in FIG. 1, with the left side view being a mirror image thereof;

FIG. 3 is a top view of the playground equipment shown in FIG. 1;

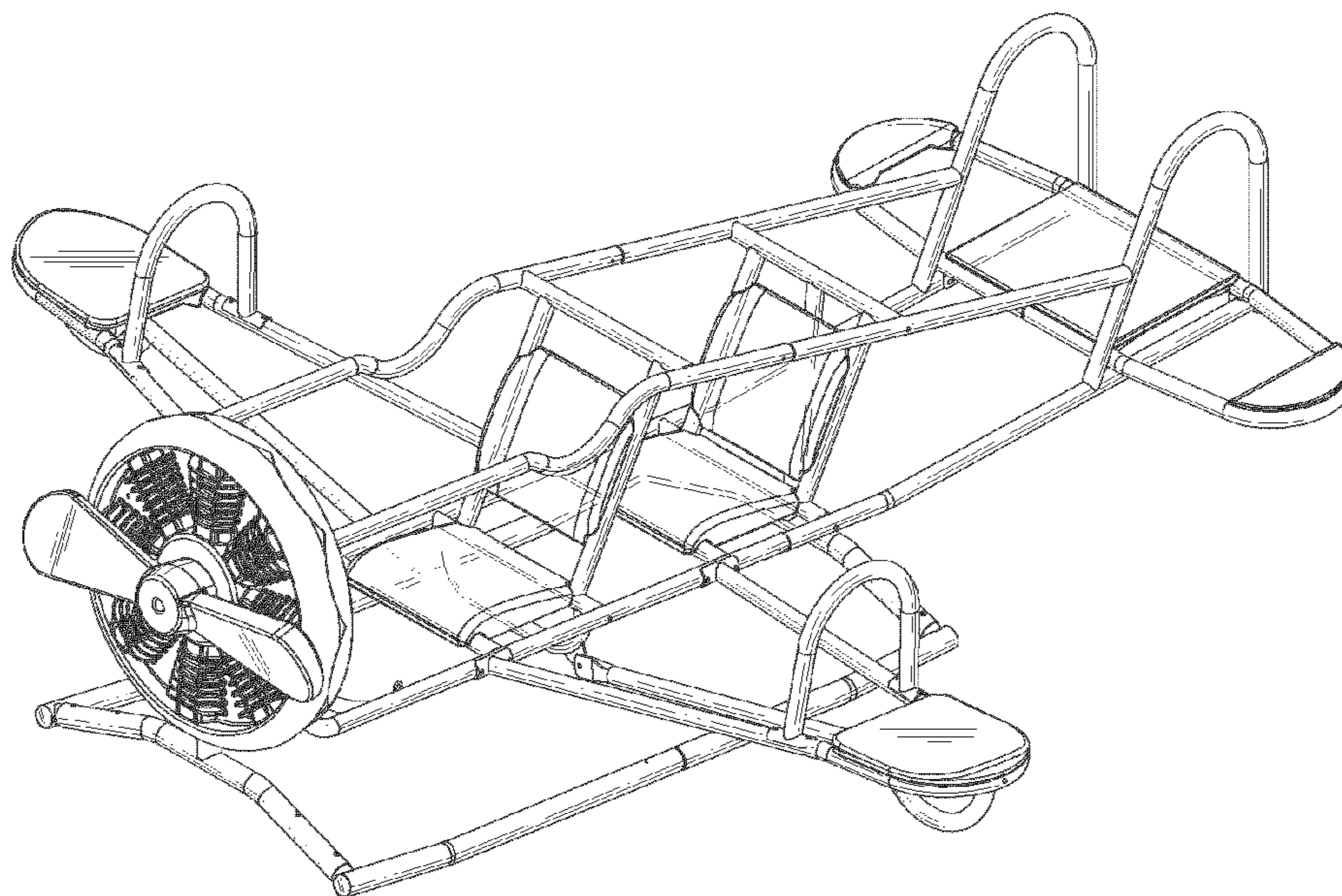
FIG. 4 is a rear view of the playground equipment shown in FIG. 1;

FIG. 5 is a front view of the playground equipment shown in FIG. 1; and,

FIG. 6 is a bottom view of the playground equipment shown in FIG. 1.

The broken lines shown in the figures are for illustrative purposes only and form no part of the claimed design.

1 Claim, 3 Drawing Sheets



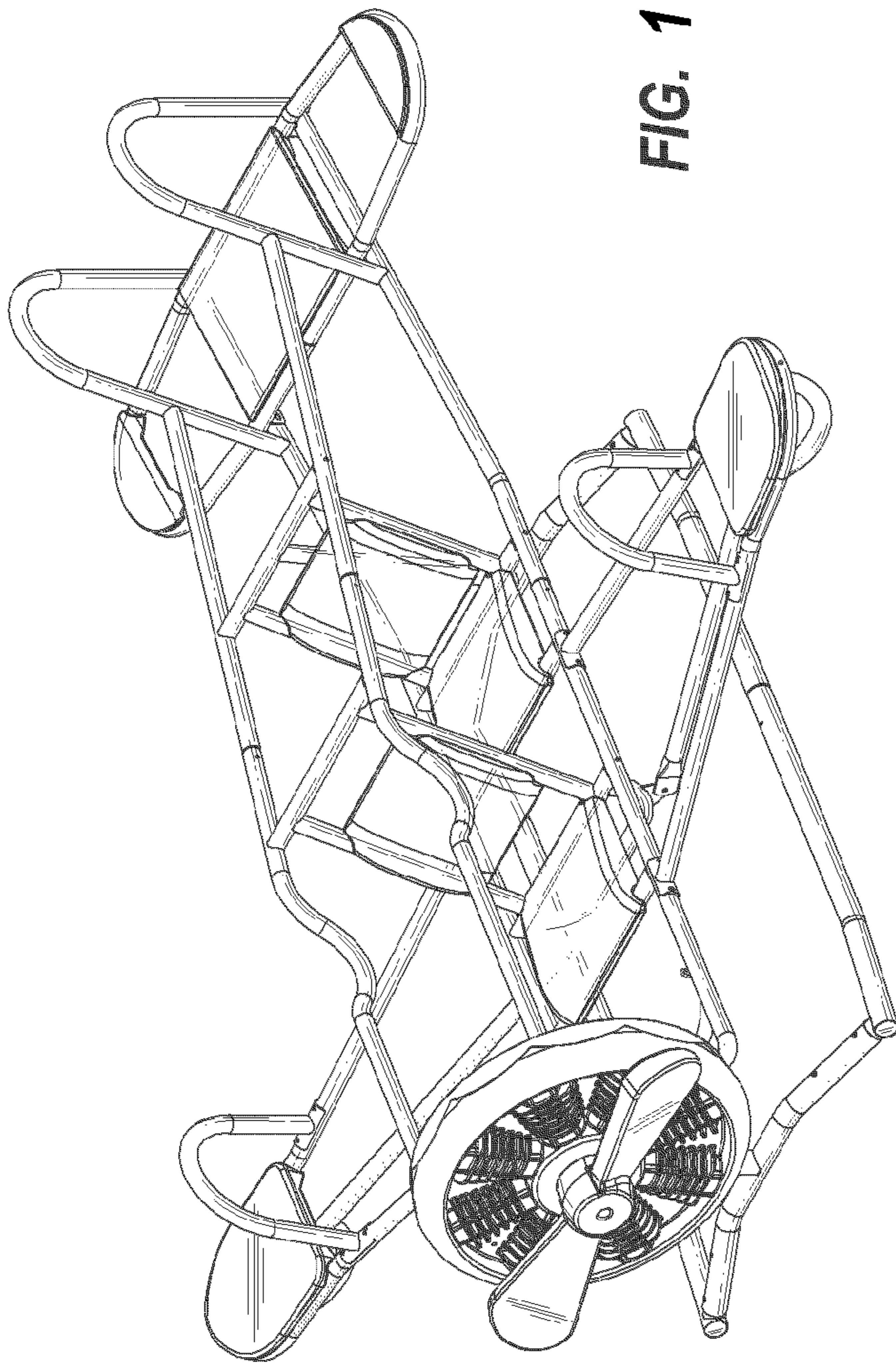


FIG. 1

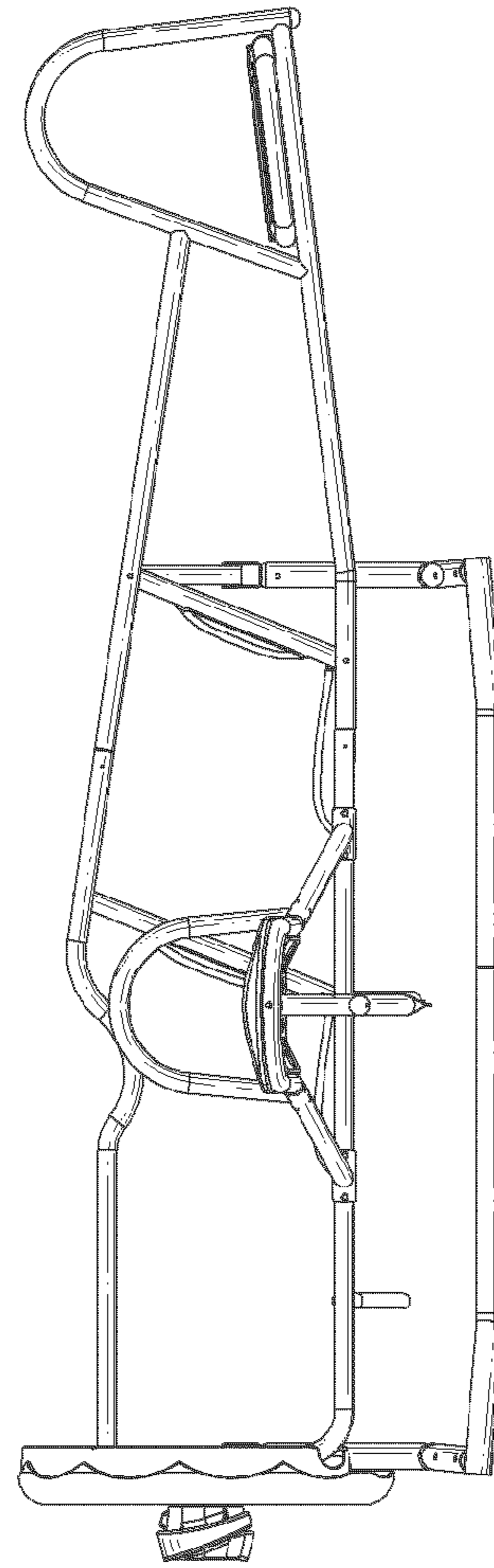


FIG. 2

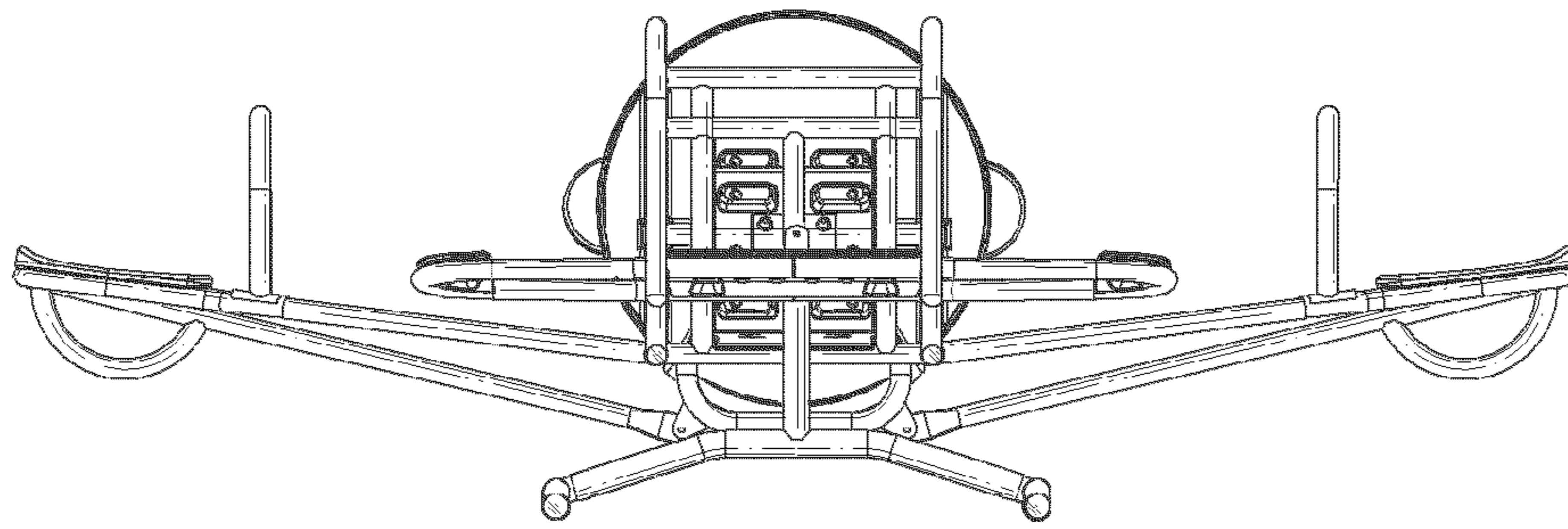


FIG. 5

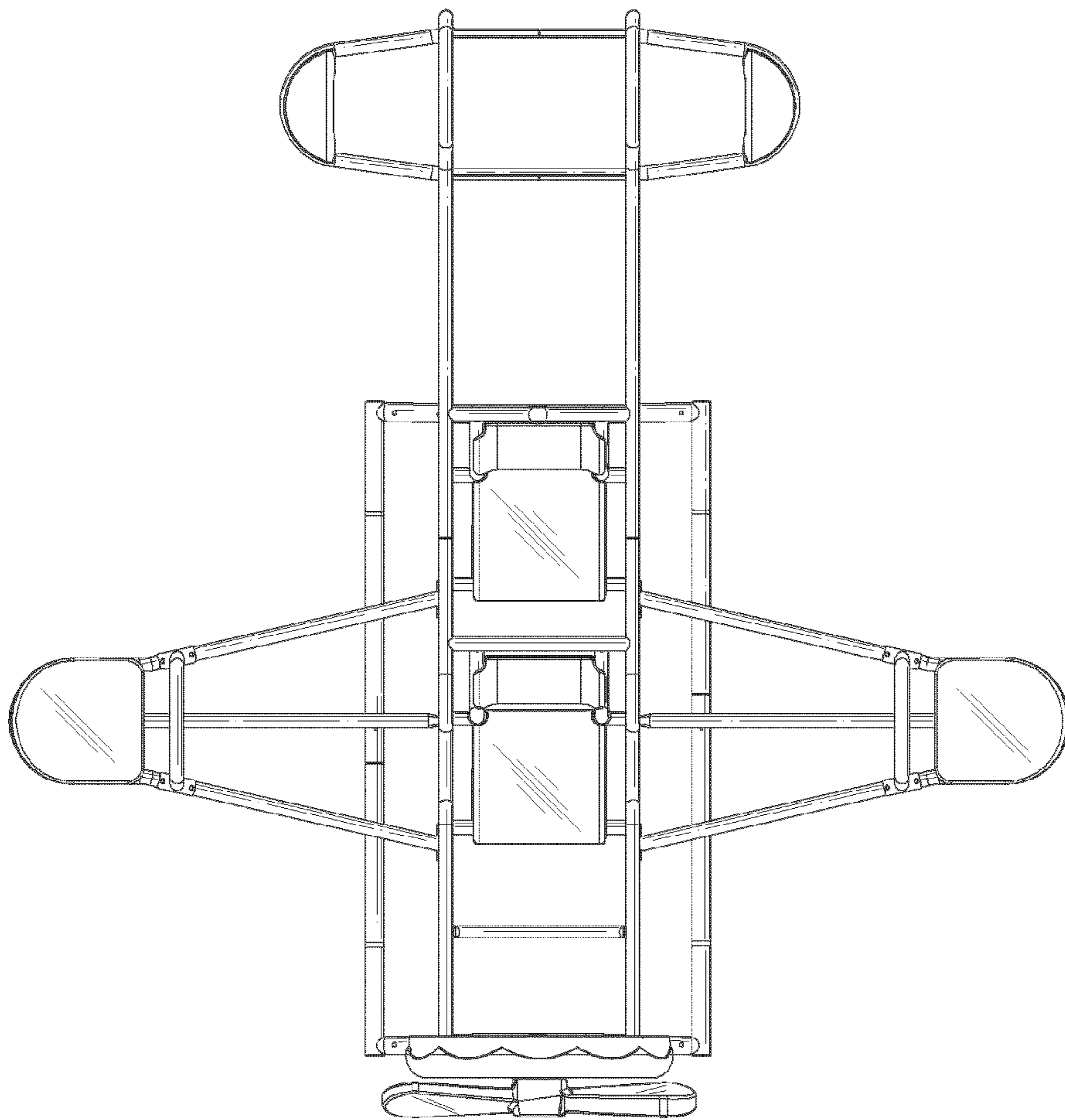


FIG. 3

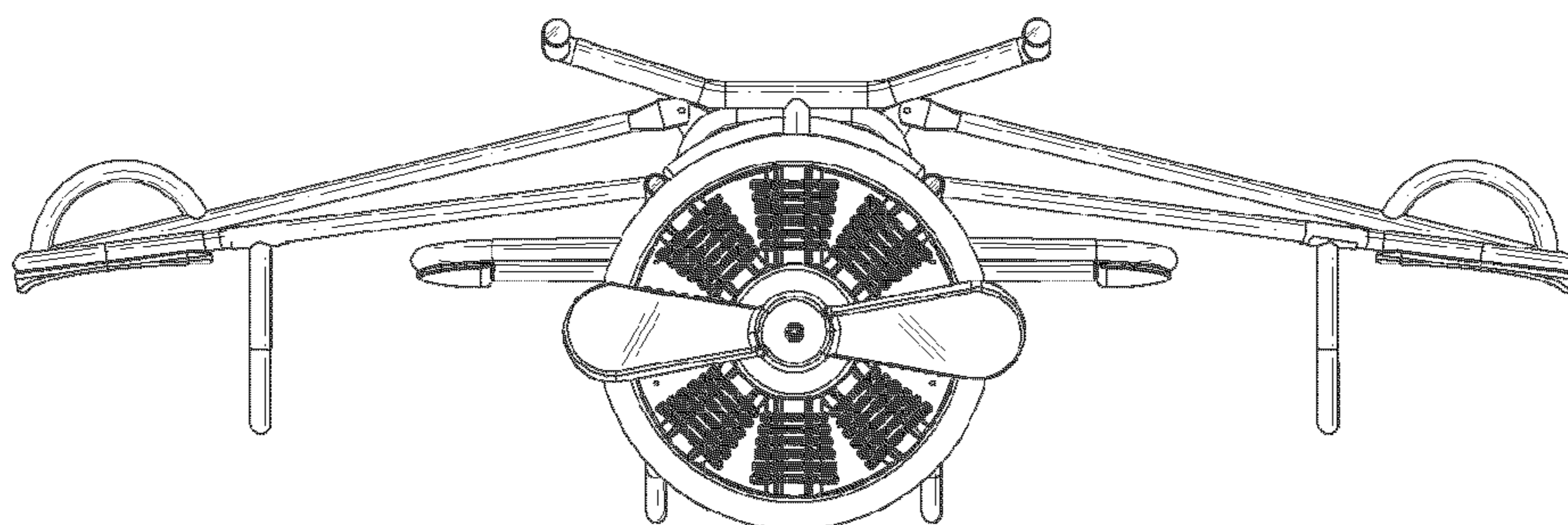


FIG. 4

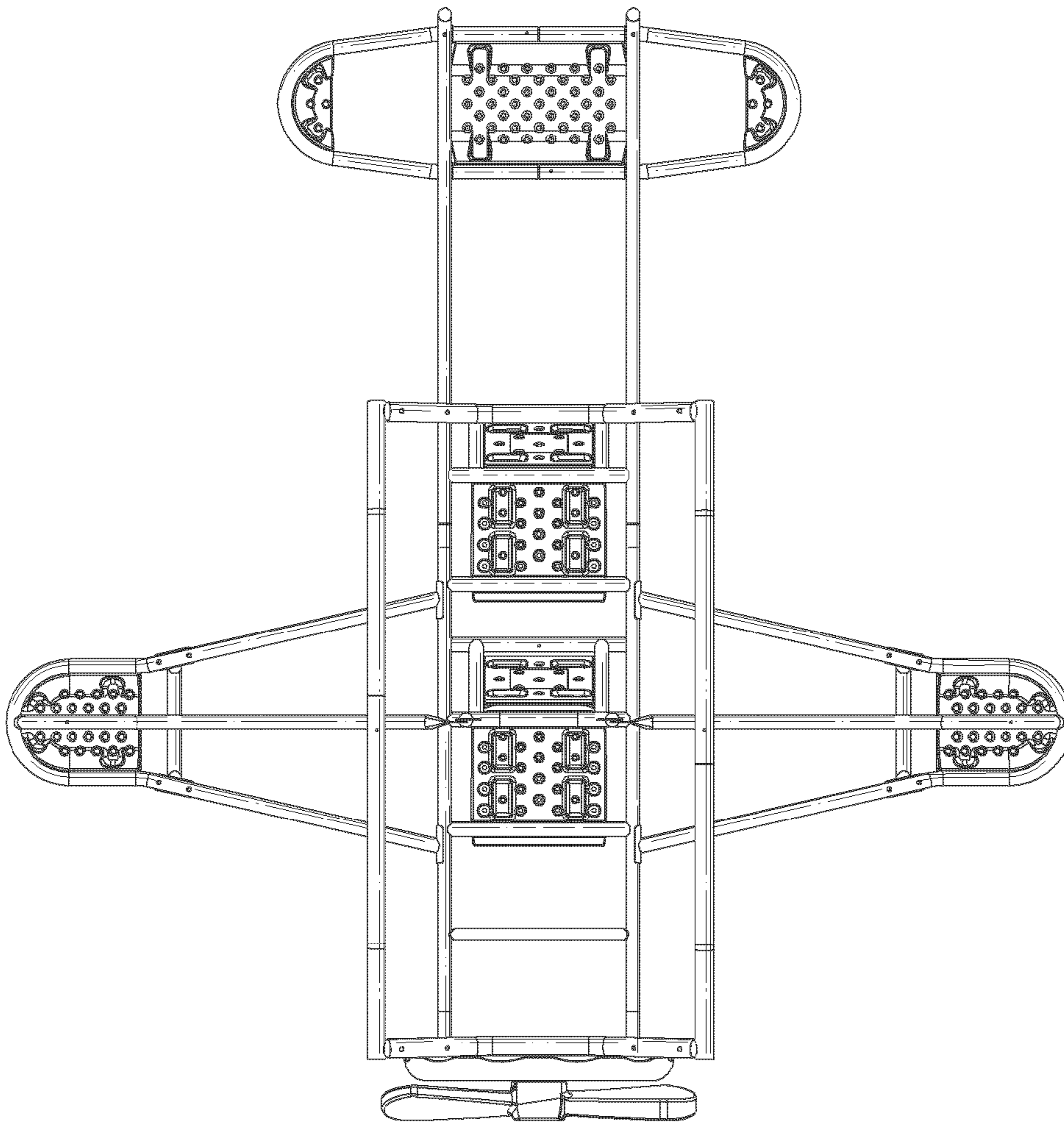


FIG. 6