



US00D604788S

(12) **United States Design Patent**
Barbis et al.

(10) **Patent No.:** **US D604,788 S**

(45) **Date of Patent:** **** Nov. 24, 2009**

(54) **KILLER WHALE LIFE VEST**

D422,665 S * 4/2000 Steger D21/805
D494,652 S * 8/2004 Otto D21/805

(76) Inventors: **Richard A. Barbis**, 151 W. 7th Ave.,
Suite 405, Eugene, OR (US) 97401;
Roger D. Korstad, 4330 Hyacinth St.,
Eugene, OR (US) 97404

* cited by examiner

Primary Examiner—Janice E Seeger
Assistant Examiner—Zenia I Bennett
(74) *Attorney, Agent, or Firm*—Robert E. Howard

(**) Term: **14 Years**

(21) Appl. No.: **29/312,028**

(57) **CLAIM**

(22) Filed: **Sep. 26, 2008**

The ornamental design for a killer whale life vest, as shown and described.

(51) **LOC (9) Cl.** **29-02**

(52) **U.S. Cl.** **D21/805**

(58) **Field of Classification Search** D21/804,
D21/805; D29/100, 101.1, 101, 4; 2/456,
2/458, 467, 463; 441/88, 89, 106, 108, 111,
441/114–117

DESCRIPTION

See application file for complete search history.

FIG. 1 is a right side view of the killer whale life vest of the present invention, the left side view being a mirror image thereof;

FIG. 2 is a front view thereof;

FIG. 3 is a back view thereof;

FIG. 4 is a top view thereof; and,

FIG. 5 is a bottom view thereof.

The broken lines are for purposes of illustration only and form no part of the claimed design.

The drawing is lined for color (black).

The hatch marking shown in the drawings represent a pattern simulating “killer whale” markings.

(56) **References Cited**

U.S. PATENT DOCUMENTS

D234,793 S * 4/1975 Olink D21/805
4,035,856 A * 7/1977 Oberg 441/89
D245,532 S 8/1977 Taylor
D280,845 S * 10/1985 Evert D21/805
D290,922 S * 7/1987 Herrera D7/605
D292,015 S * 9/1987 McWaters D21/805
5,671,480 A * 9/1997 Krout et al. 2/102
5,766,114 A * 6/1998 Campbell 482/55

1 Claim, 1 Drawing Sheet

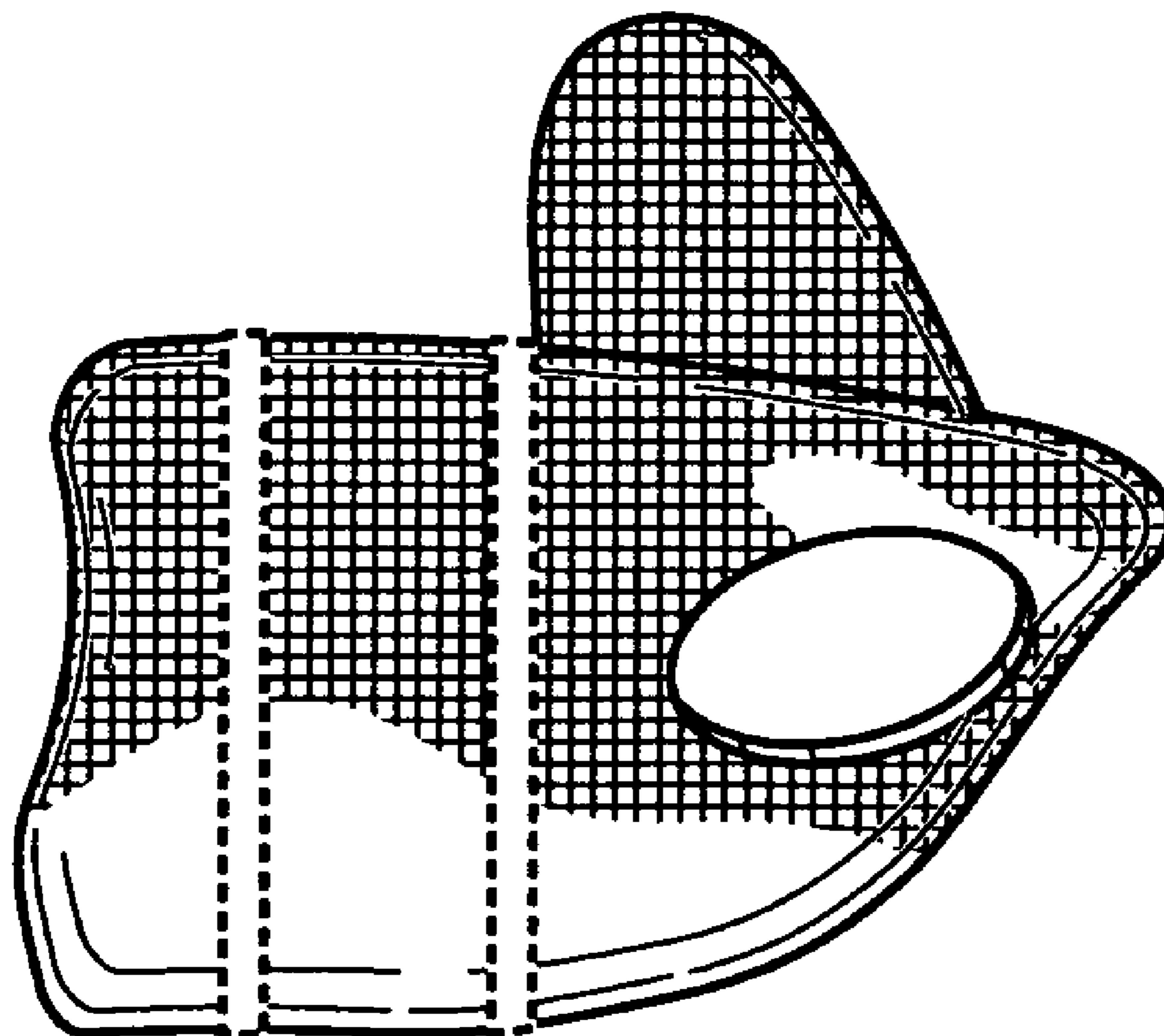


Fig. 1

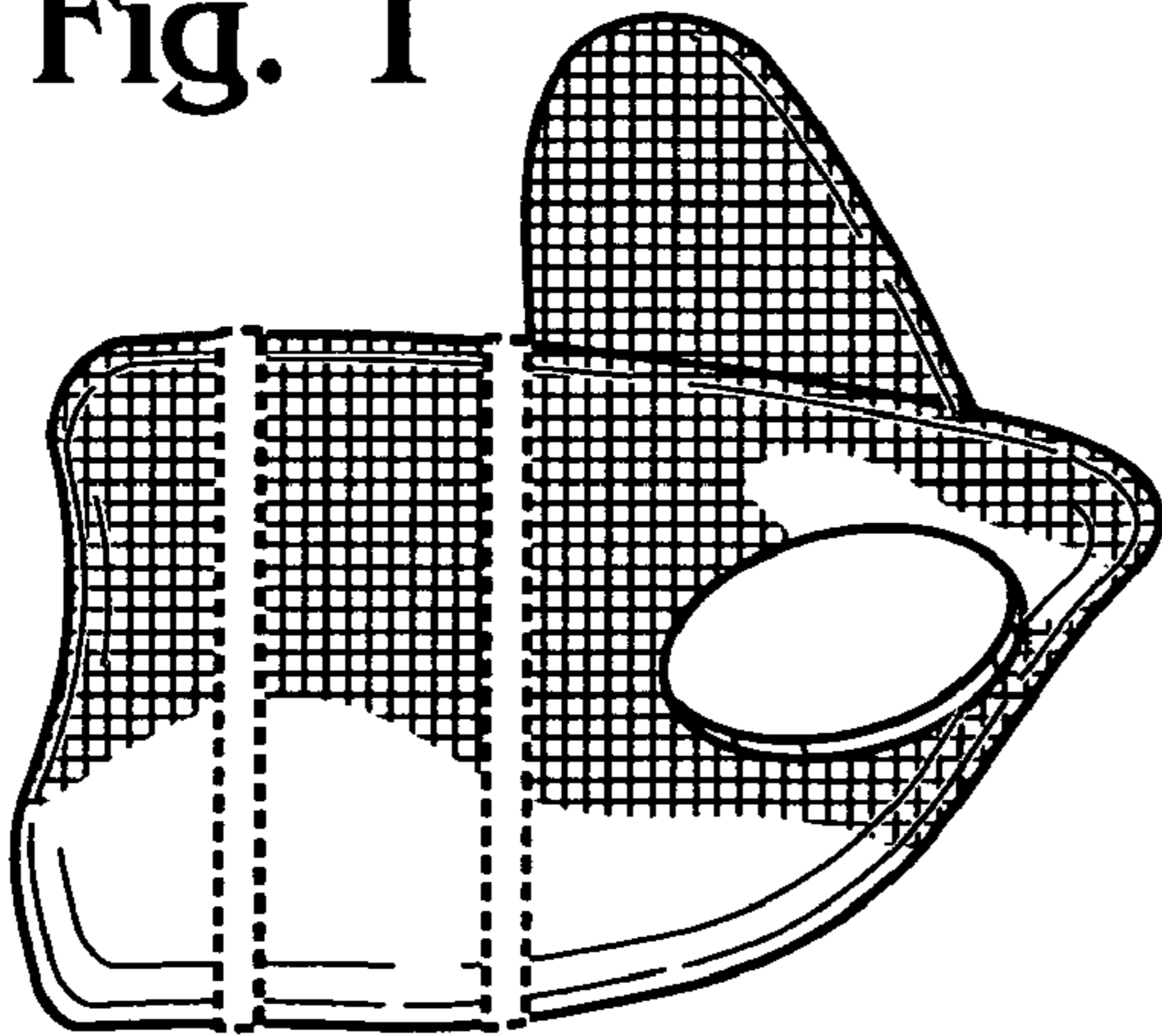


Fig. 2

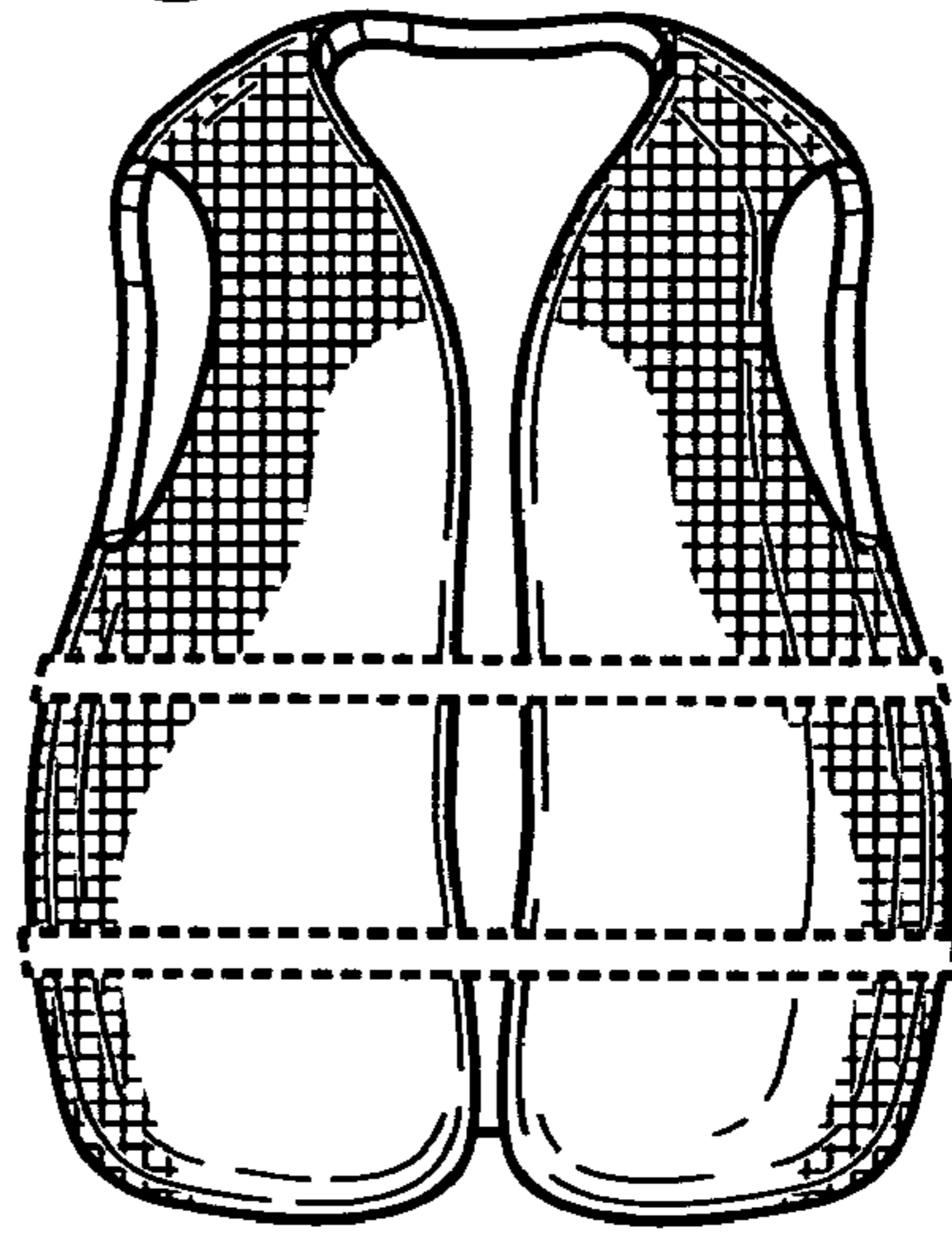


Fig. 3

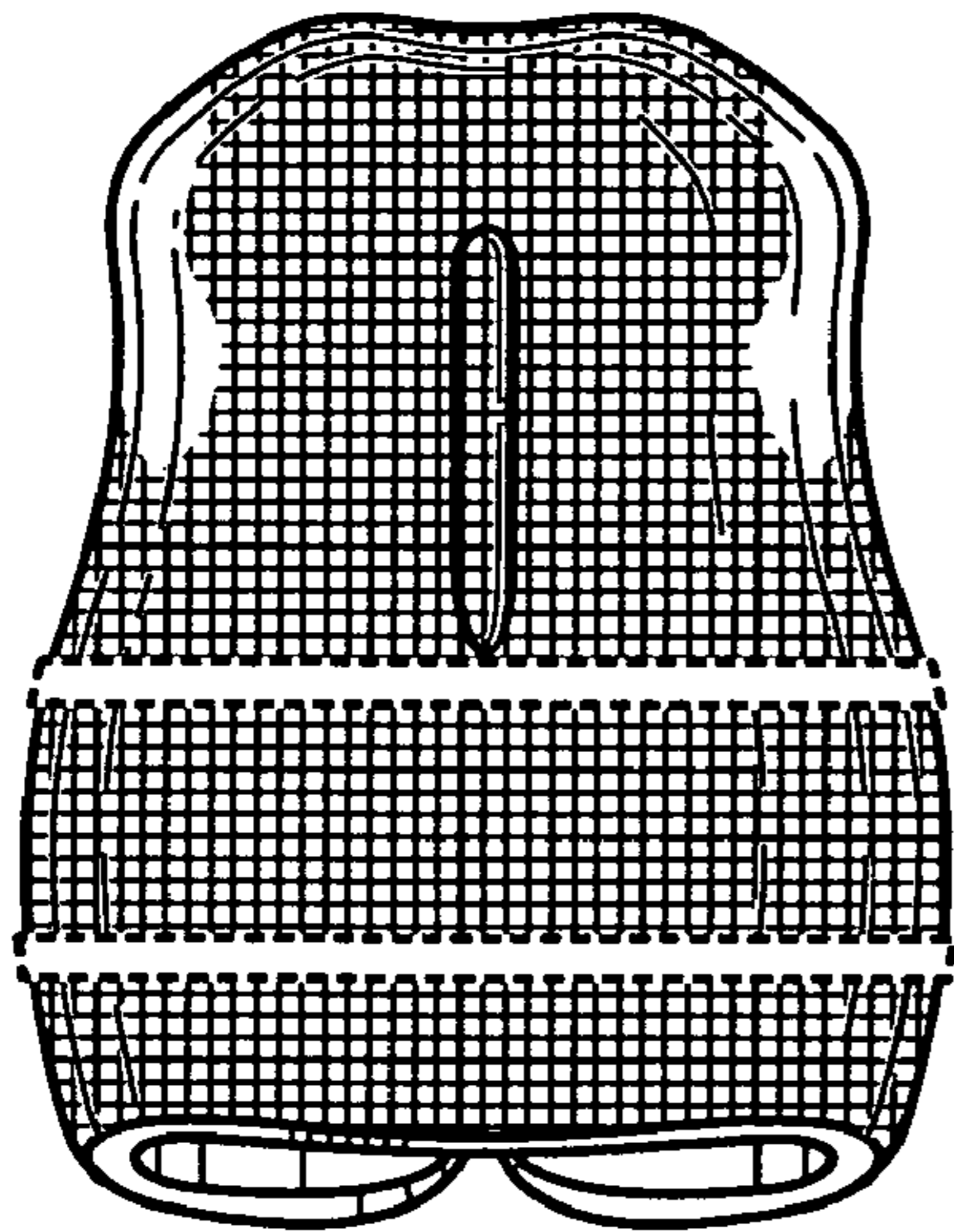


Fig. 4

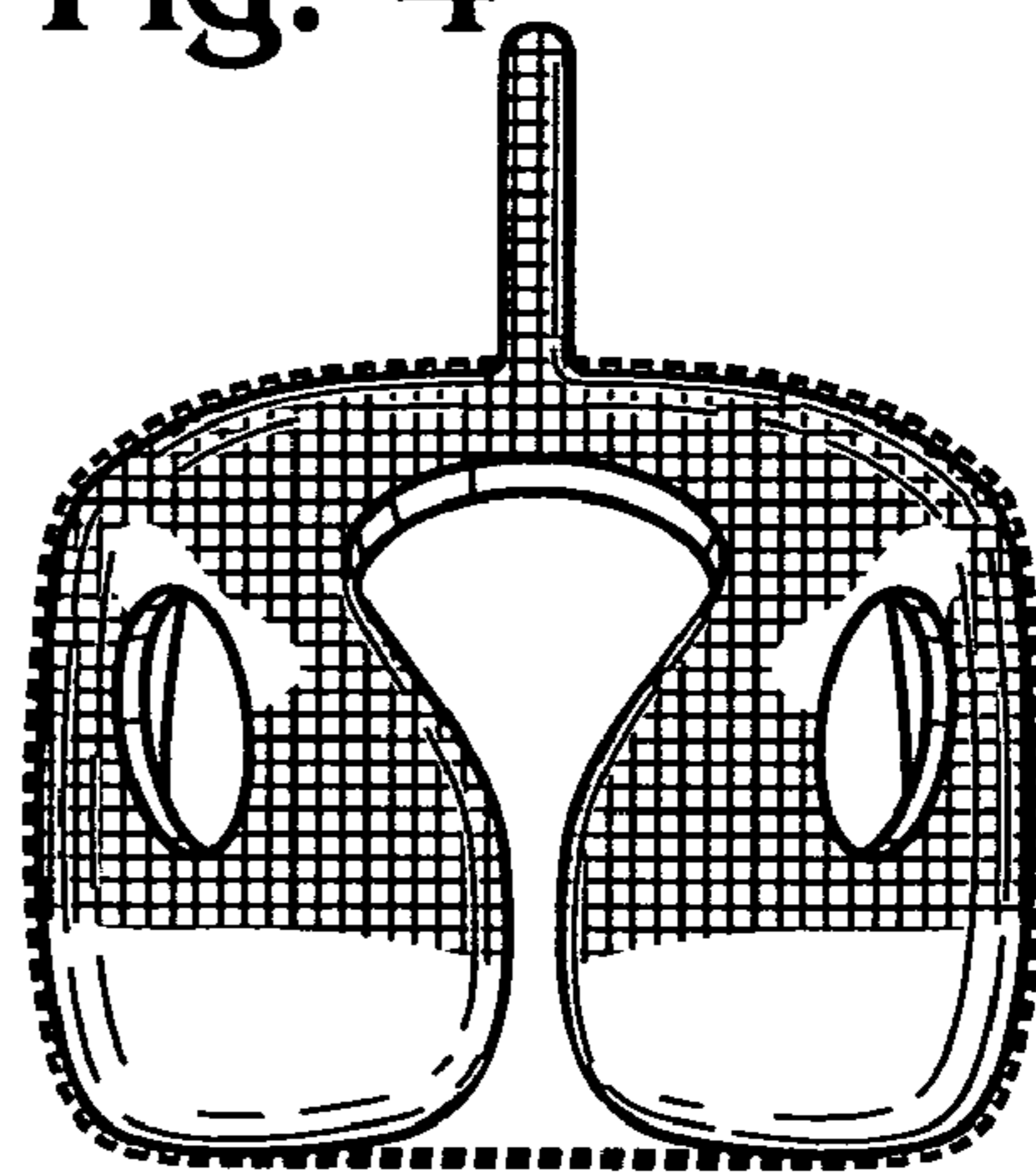


Fig. 5

