

US00D604785S

(12) **United States Design Patent**  
**Meyerhoffer**

(10) **Patent No.:** **US D604,785 S**

(45) **Date of Patent:** **\*\* Nov. 24, 2009**

(54) **SURFBOARD**

(75) Inventor: **Thomas Meyerhoffer**, 1241 Main St.,  
Montara, CA (US) 94037

(73) Assignee: **Thomas Meyerhoffer**, Montara, CA  
(US)

(\*\*) Term: **14 Years**

(21) Appl. No.: **29/329,451**

(22) Filed: **Dec. 15, 2008**

(51) **LOC (9) Cl.** ..... **21-02**

(52) **U.S. Cl.** ..... **D21/769**

(58) **Field of Classification Search** ..... D21/769-770,  
D21/801, 803, 809; D6/392, 596, 601, 604;  
472/128-129; D12/5, 6, 316; 114/253, 345-346;  
441/35, 66, 40-42, 129-132; D24/124, 188-189  
See application file for complete search history.

(56) **References Cited**

**U.S. PATENT DOCUMENTS**

D55,079 S	5/1920	Ranlett	
1,608,000 A	11/1926	Ranlett	
3,160,897 A *	12/1964	Kelly, Jr.	441/74
D206,506 S	12/1966	Lambach	
3,317,937 A	5/1967	Gallagher	
3,323,154 A	6/1967	Lambach	
3,337,886 A	8/1967	Eckstrom	
D214,598 S *	7/1969	Flannigan	D21/769
D221,262 S *	7/1971	Marshall	D21/769
4,629,435 A *	12/1986	Pitcairn	441/68
D296,576 S *	7/1988	Gendron	D21/769
4,857,025 A	8/1989	Brown et al.	
D323,691 S	2/1992	Olson	
D334,419 S	3/1993	Klein	
D342,114 S	12/1993	Healy	
D378,693 S	4/1997	Margaritis	
D392,710 S	3/1998	del Paso	
6,059,621 A	5/2000	Vogel	
D428,459 S	7/2000	Broz et al.	
D434,097 S *	11/2000	Fleming	D21/769

- 6,551,157 B1 4/2003 Bishop
- D503,206 S 3/2005 Debold
- D503,763 S 4/2005 Morgan
- D527,781 S 9/2006 Walden
- D528,179 S 9/2006 Stagnaro
- D546,074 S 7/2007 Grossman
- 7,347,756 B1 3/2008 Candler

\* cited by examiner

*Primary Examiner*—Janice E Seeger

*Assistant Examiner*—Zenia I Bennett

(74) *Attorney, Agent, or Firm*—Mahamedi Paradice  
Kreisman LLP; William L. Paradice, III

(57) **CLAIM**

The ornamental design for a surfboard, as shown and described.

**DESCRIPTION**

FIG. 1 is a bottom view of a design for a surfboard;

FIG. 2 is a top view thereof;

FIG. 3 is a perspective view of the bottom thereof, viewed from the front;

FIG. 4 is a right side view of FIG. 3;

FIG. 5 is a left side view of FIG. 3;

FIG. 6 is a perspective view of the bottom thereof, viewed from the rear;

FIG. 7 is a rear view thereof;

FIG. 8 is a front view thereof;

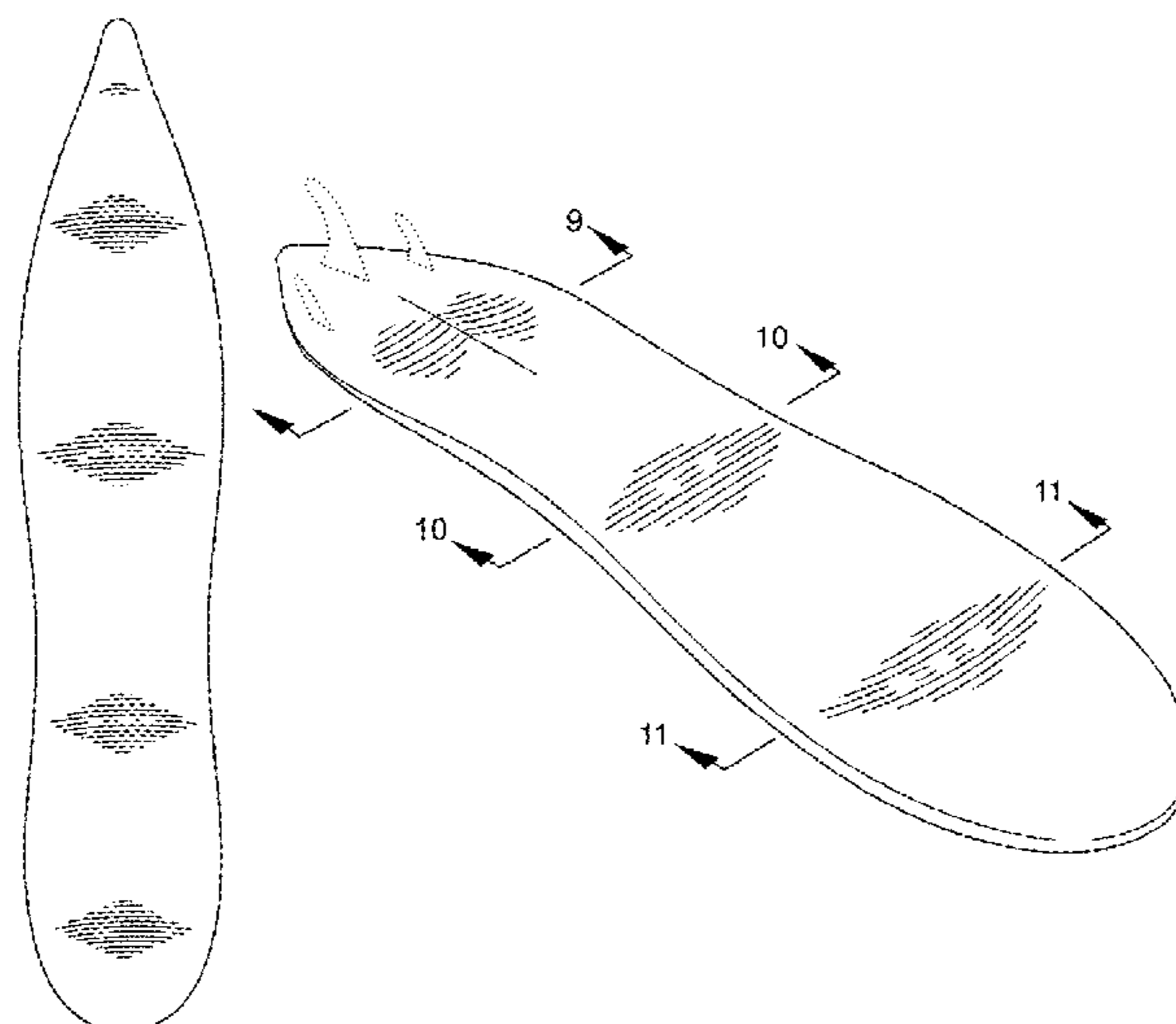
FIG. 9 is a cross sectional view taken along line 9—9 as indicated in FIG. 3.

FIG. 10 is a cross sectional view taken along line 10—10 as indicated in FIG. 3; and,

FIG. 11 is a cross sectional view taken along line 11—11 as indicated in FIG. 3.

The broken lines are for environmental purposes only and form no part of the claimed design.

**1 Claim, 6 Drawing Sheets**



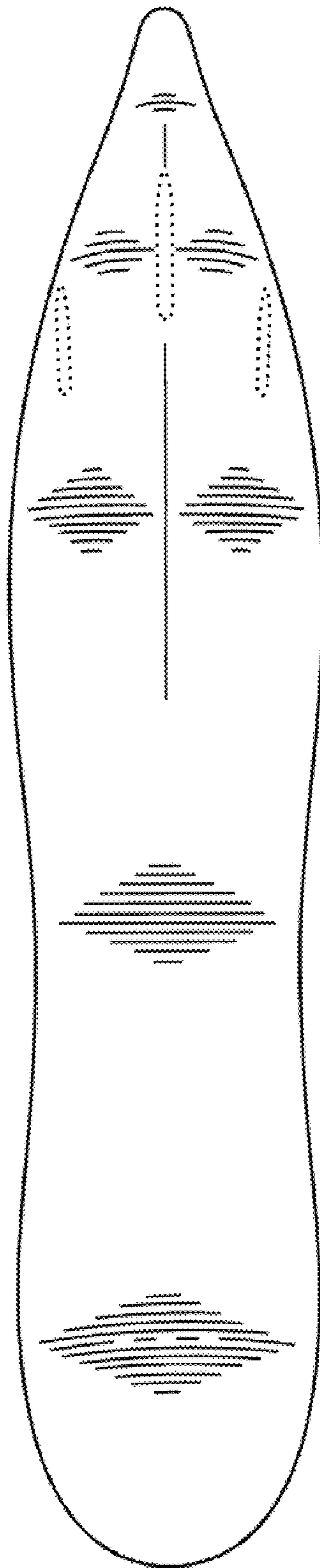


FIG. 1

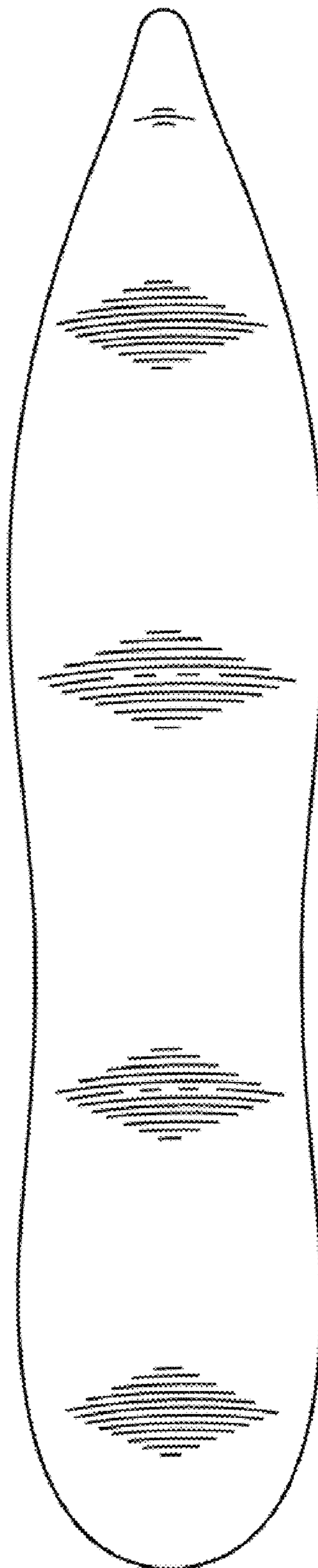


FIG. 2

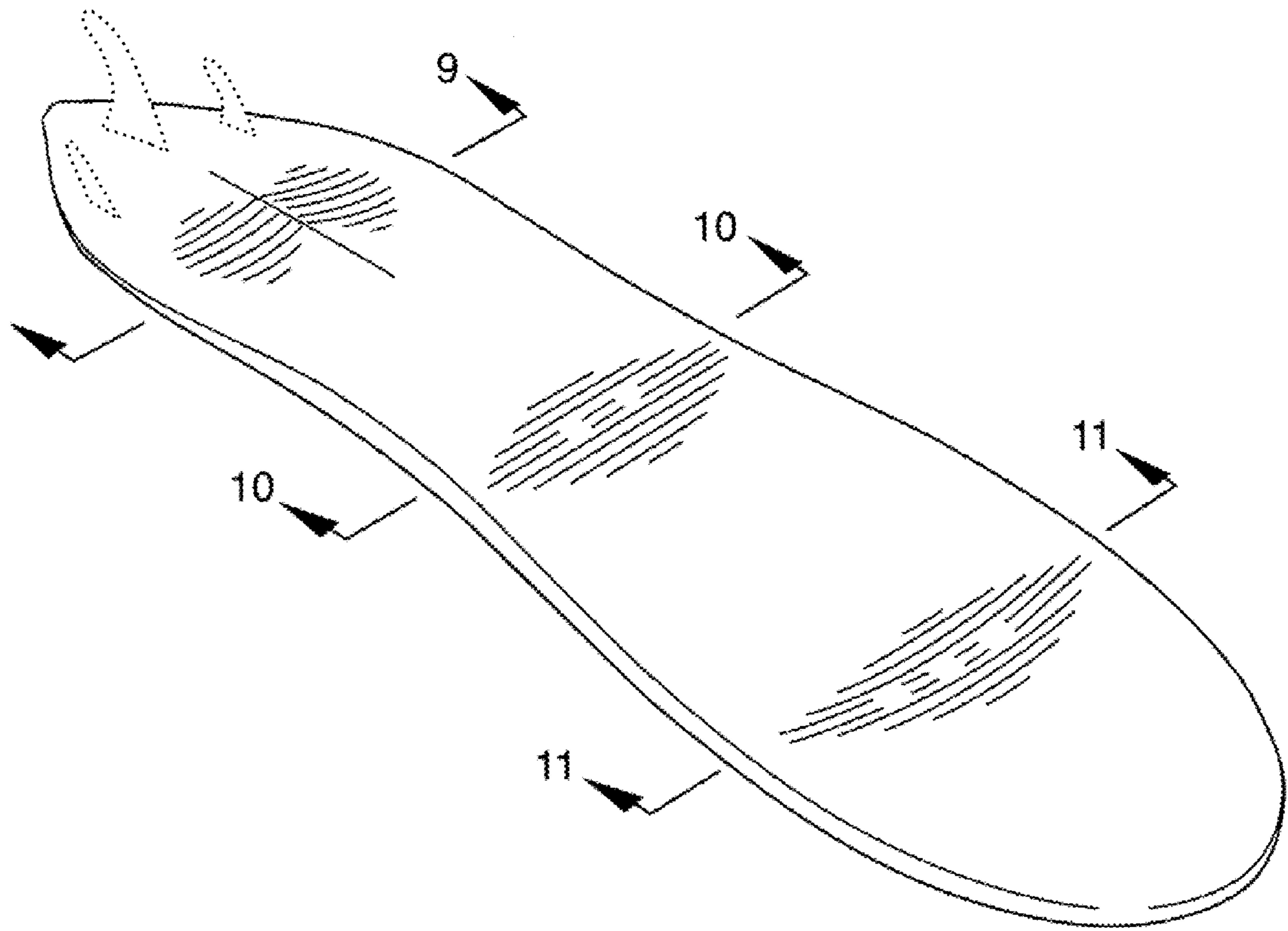


FIG. 3

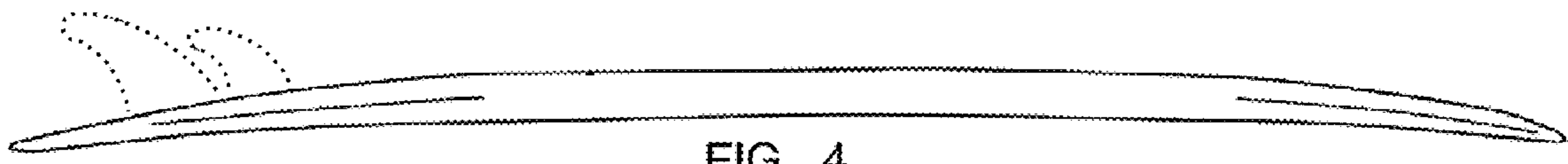


FIG. 4

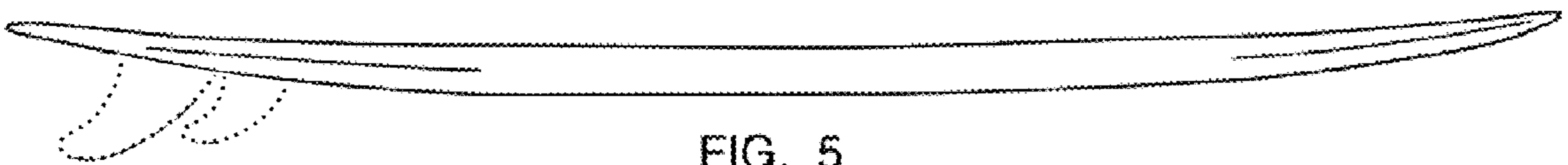


FIG. 5

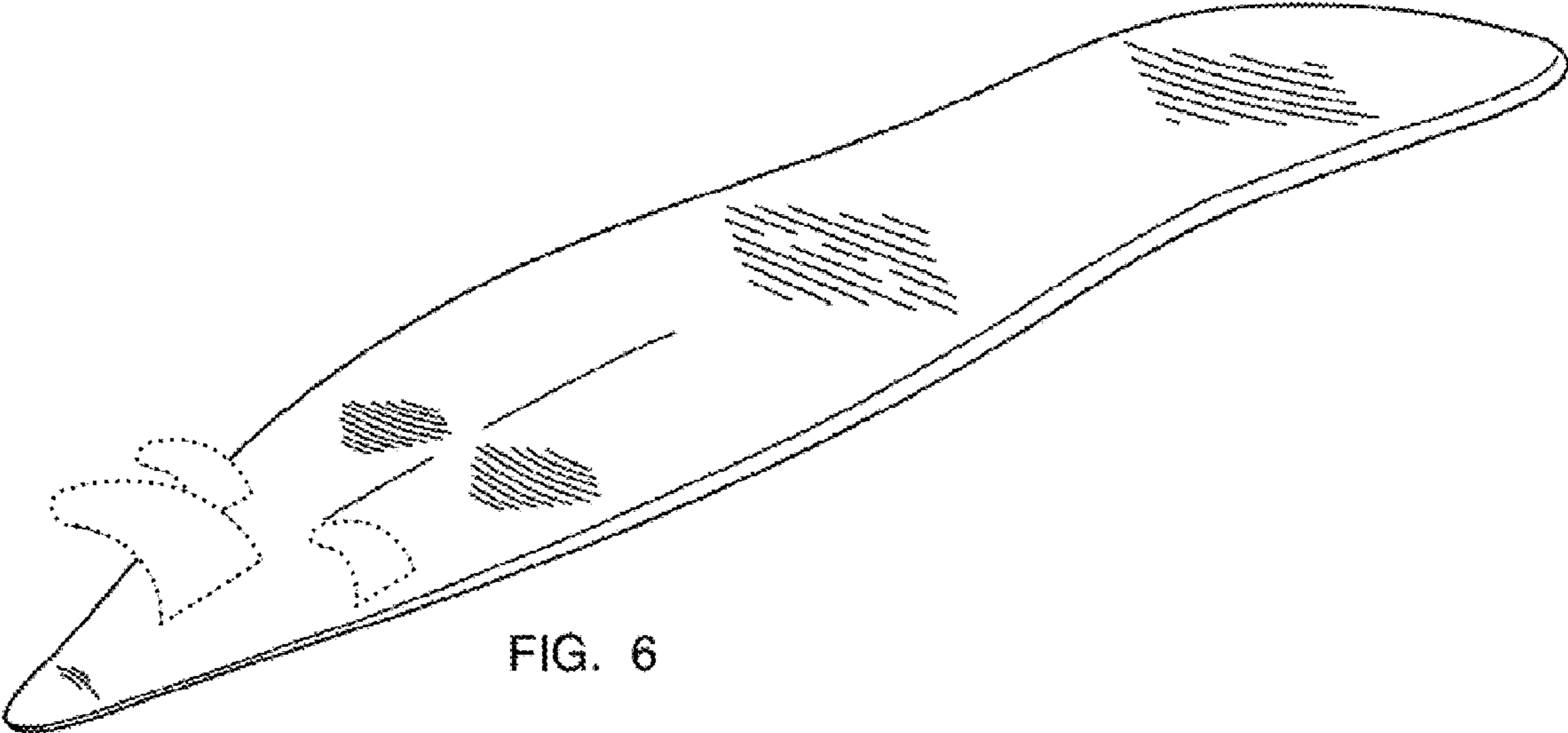
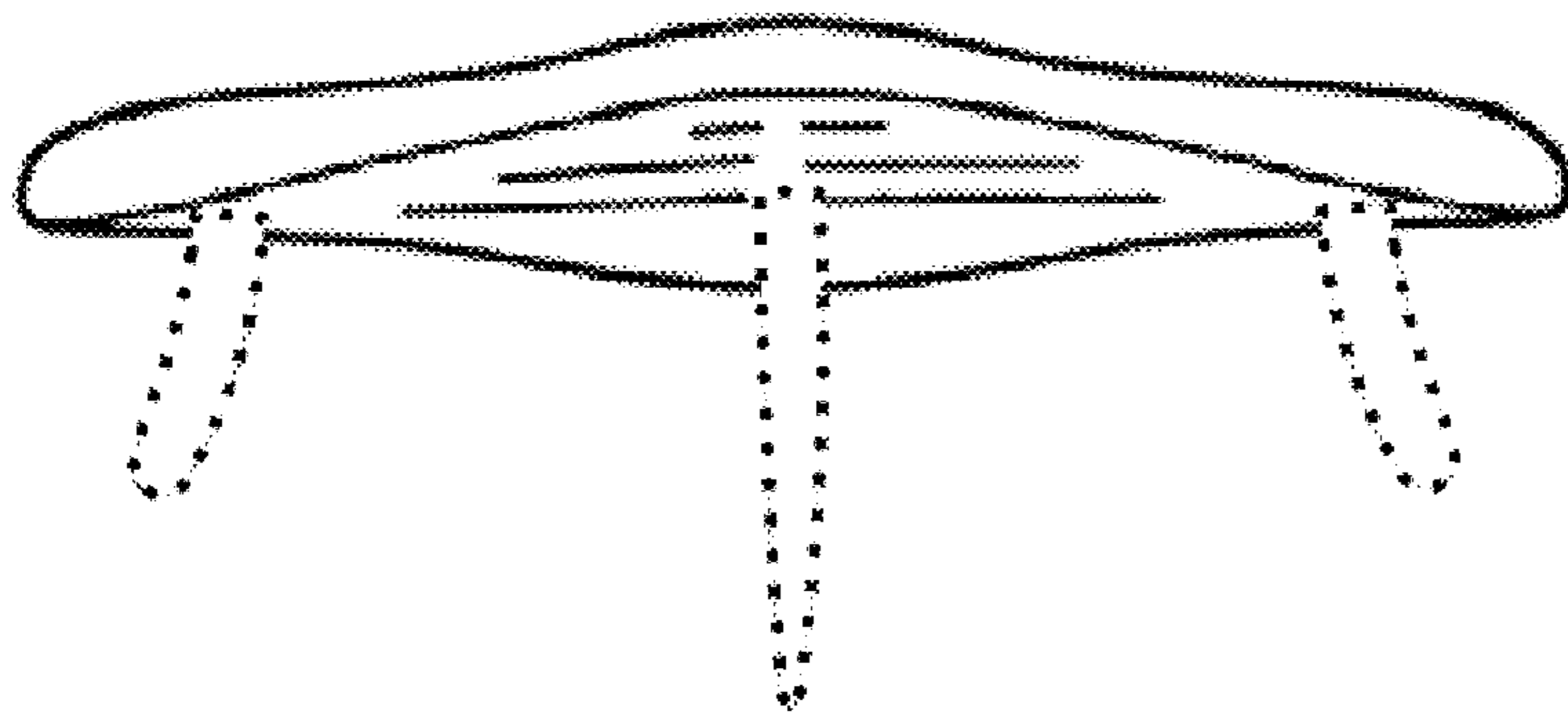
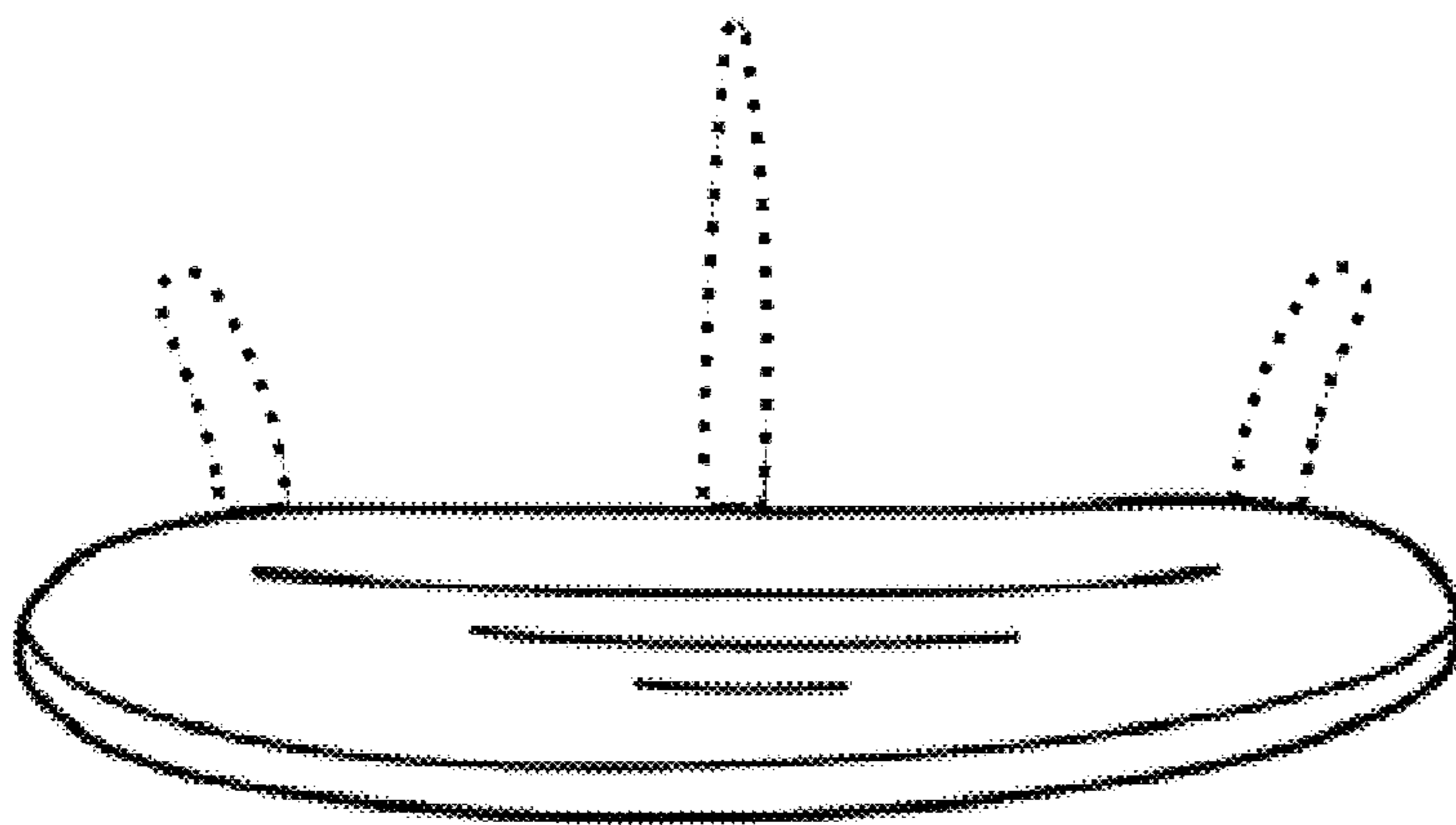


FIG. 6



**FIG. 7**



**FIG. 8**

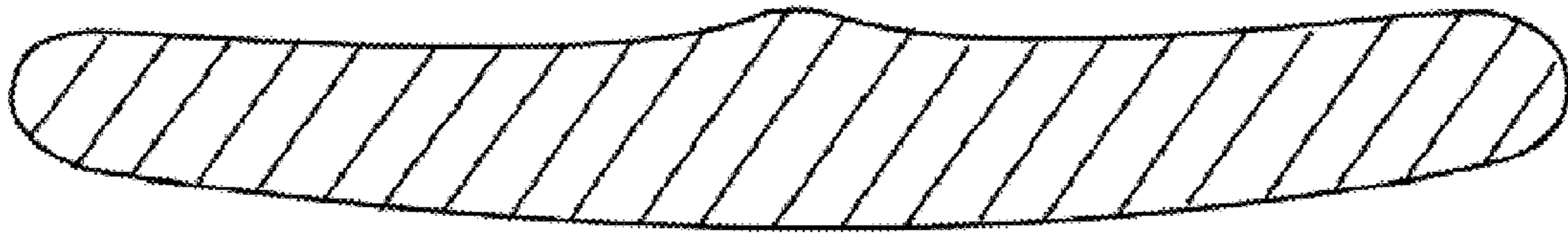


FIG. 9

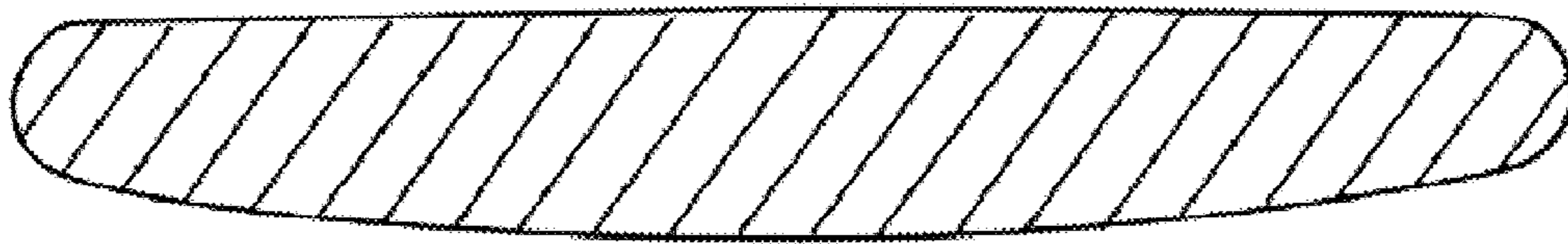


FIG. 10

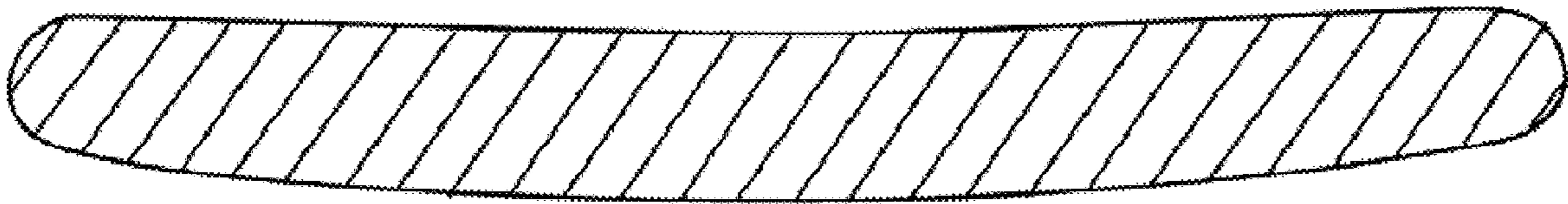


FIG. 11