



US00D604782S

(12) **United States Design Patent**
Franklin

(10) **Patent No.:** **US D604,782 S**

(45) **Date of Patent:** **** Nov. 24, 2009**

(54) **GOLF CLUB HEAD FOR A PUTTER**

(75) Inventor: **David N. Franklin**, Granbury, TX (US)

(73) Assignee: **NIKE, Inc.**, Beaverton, OR (US)

(**) Term: **14 Years**

(21) Appl. No.: **29/341,464**

(22) Filed: **Aug. 5, 2009**

(51) **LOC (9) Cl.** **21-02**

(52) **U.S. Cl.** **D21/736**

(58) **Field of Classification Search** D21/736-746;
473/324-331, 340-341, 251-256

See application file for complete search history.

(56) **References Cited**

U.S. PATENT DOCUMENTS

D368,751 S	4/1996	Rife	
D379,484 S	5/1997	Solheim	
D394,887 S	6/1998	Bottema	
D399,911 S	* 10/1998	Nicolette et al. D21/736
D400,610 S	* 11/1998	Cameron et al. D21/742
D402,343 S	* 12/1998	Helmstetter et al. D21/738
D405,856 S	2/1999	Tang et al.	
D407,445 S	* 3/1999	Rollinson et al. D21/743
D420,411 S	2/2000	Hettinger	
D428,457 S	* 7/2000	Rollinson et al. D21/743
D447,782 S	9/2001	Hettinger et al.	
D449,085 S	10/2001	Breier et al.	
D449,865 S	10/2001	Fife, Jr. et al.	
D451,973 S	12/2001	Wells et al.	
D458,657 S	6/2002	Shmoldas et al.	
D467,291 S	12/2002	Ngon	
D474,821 S	5/2003	Wells et al.	
D485,592 S	1/2004	Hettinger et al.	
D486,872 S	2/2004	Schweigert et al.	
6,692,378 B2	2/2004	Shmoldas et al.	
D511,802 S	* 11/2005	Cameron D21/744
D514,181 S	* 1/2006	Cameron D21/738
7,022,030 B2	4/2006	Best et al.	
D526,035 S	8/2006	Hueber	
D547,403 S	7/2007	Serrano et al.	

7,281,987 B2 10/2007 Iwade
D570,944 S 6/2008 Oldknow et al.
D571,420 S 6/2008 Stites et al.

(Continued)

OTHER PUBLICATIONS

Long Jon Putter Head #4155, Golf Smith Catalog, 1998, p. 73.
Hog Golf, The Mallet Putter #1004R, Edwin Watts Late Summer Catalog, 1998, p. 40.
Linksolution Putter #LP106, Edwin Watts Catalog, Jan. 2002, p. 19.
Tiger Shark Great White Poly Insert Putters, Model GW-8 (#5911), Edwin Watts Catalog, Jan. 2004, p. 33.
Hog Golf, 1005B Steel Mallet Putter, Edwin Watts Catalog, Holiday 2001, p. 40.

(Continued)

Primary Examiner—Mitchell I Siegel

(74) *Attorney, Agent, or Firm*—Banner & Witcoff, Ltd.

(57) **CLAIM**

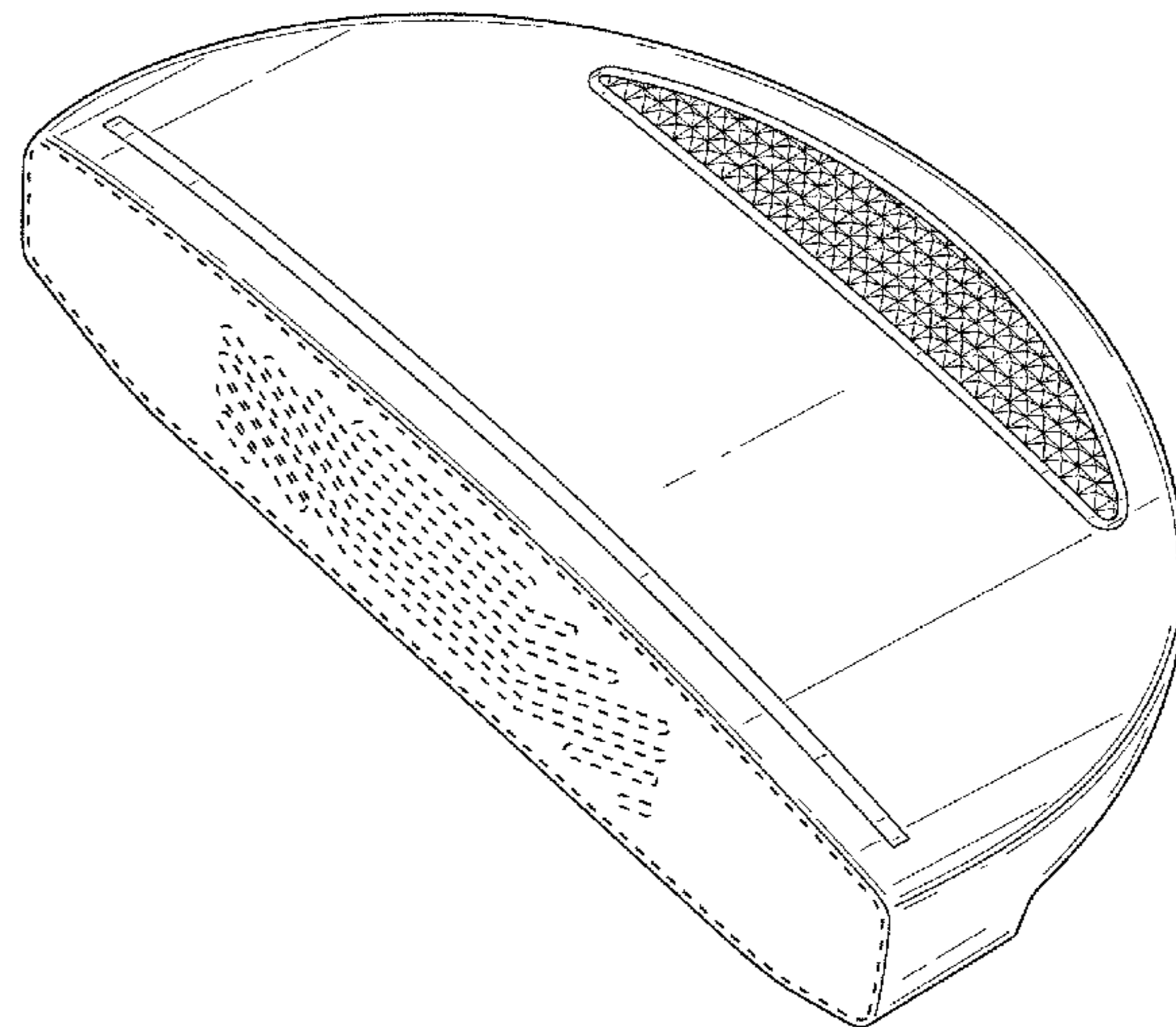
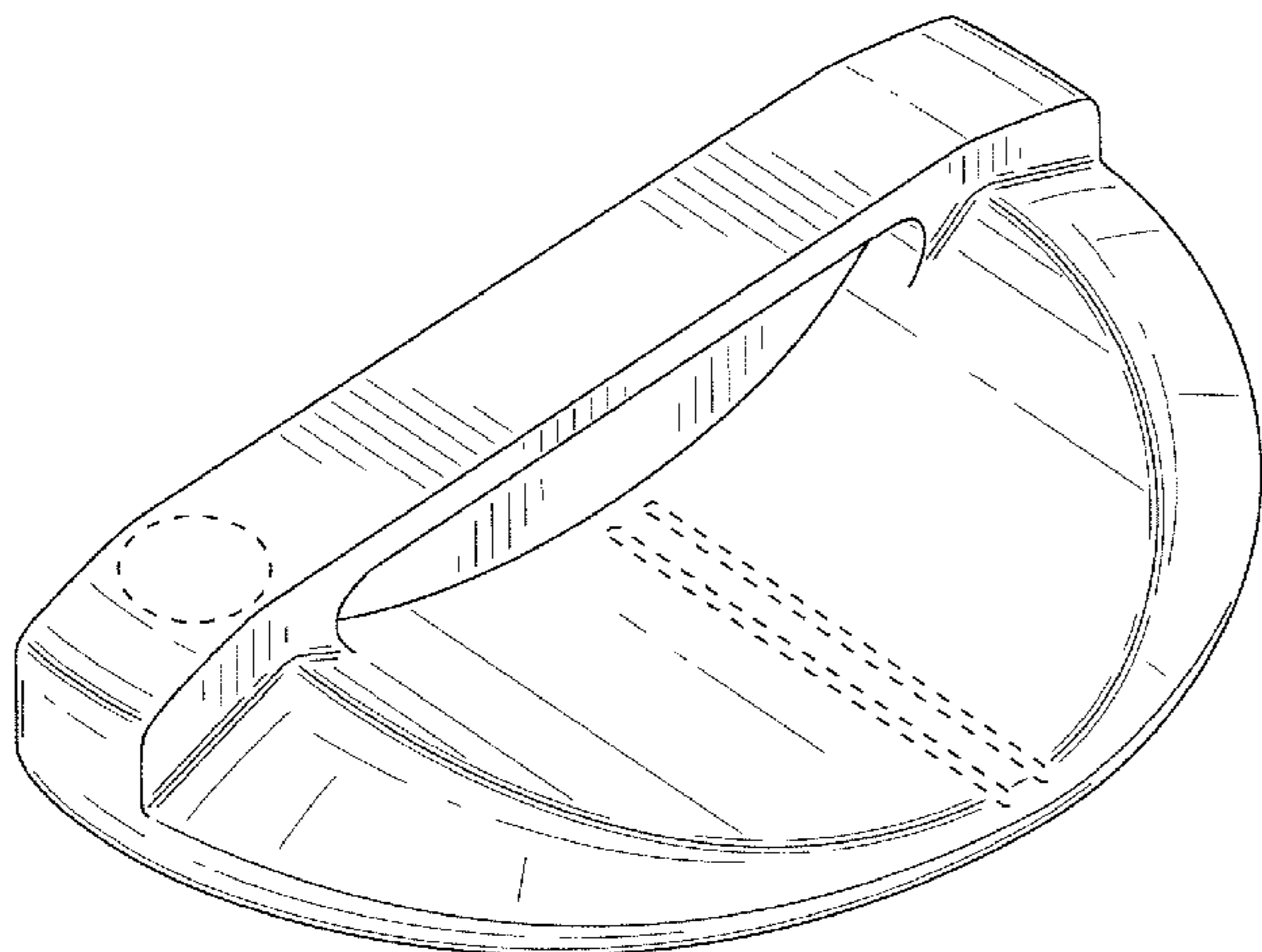
The ornamental design for a golf club head for a putter, as shown and described.

DESCRIPTION

FIG. 1 is a top perspective view of a golf club head for a putter showing my new design;
FIG. 2 is a bottom perspective view thereof;
FIG. 3 is a front view thereof;
FIG. 4 is a rear view thereof;
FIG. 5 is a toe end view thereof;
FIG. 6 is a heel end view thereof;
FIG. 7 is a top plan view thereof; and,
FIG. 8 is a bottom plan view thereof.

The broken line showing that is immediately adjacent to the shaded area represents an unclaimed boundary of the design. The broken line showing of the remainder of the golf club head for a putter is for illustrative purposes only and forms no part of the claimed design.

1 Claim, 4 Drawing Sheets



US D604,782 S

Page 2

U.S. PATENT DOCUMENTS

D571,880 S 6/2008 Ban et al.
D571,885 S 6/2008 Stites et al.
D572,330 S 7/2008 Stites et al.
D578,586 S 10/2008 Oldknow et al.
D579,070 S 10/2008 Oldknow et al.
D583,886 S 12/2008 Cameron
D588,657 S 3/2009 Hettinger et al.
D592,718 S 5/2009 Hettinger
2004/0132542 A1 7/2004 Olsavsky et al.
2006/0223646 A1 10/2006 Rife
2007/0032311 A1 2/2007 Kajita
2008/0188321 A1 8/2008 Feighery
2009/0111605 A1 4/2009 Fujimoto

OTHER PUBLICATIONS

Taylor Made Rossa Sports Putter #5598, Edwin Watts Catalog, Jan. 2004, p. 59.

Heavy Putter L3 Satin HS Mallet Putter, Edwin Watts web site, date unknown but prior to filing date of the present application; <http://www.edwinwattsgolf.com/wcsstore/ExtendedSitesCatalogAssetStore/images/product/22539-3.jpg>.

Ray Cook Billy Baroo III P, Edwin Watts web site, date unknown but prior to filing date of the present application; <http://www.edwinwattsgolf.com/wcsstore/EdwinWatts/images/product/4496-3.jpg>.

Taylor Made CGB Suzaka Putter, Edwin Watts web site, date unknown but prior to filing date of the present application; http://www.edwinwattsgolf.com/wcsstore/EdwinWatts/images/product/8637_3.jpg.

Nike Ignite 003 Putter, date unknown but prior to filing date of the present application.

Rife Putters Abaco Putter, 2007.

* cited by examiner

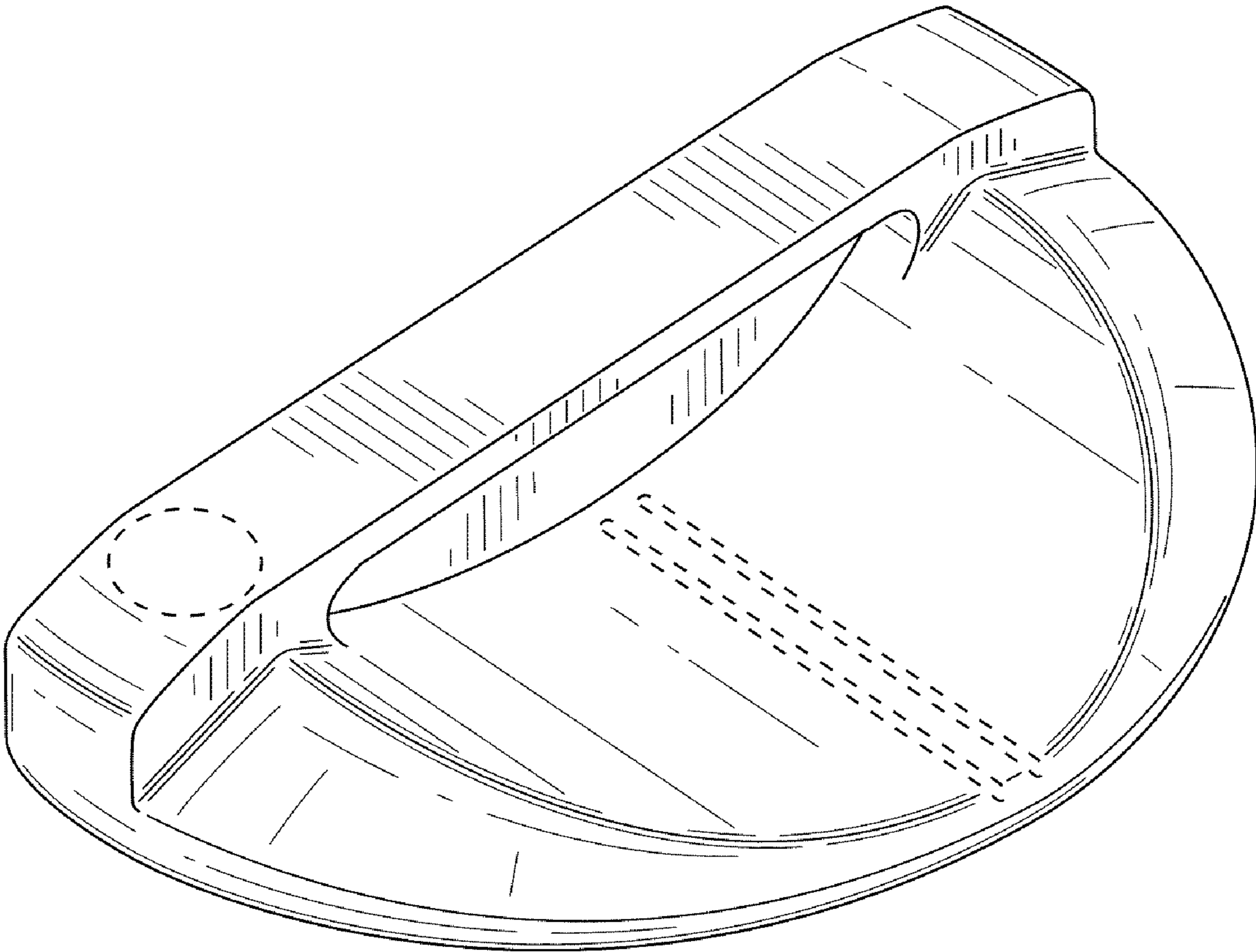


FIG. 1

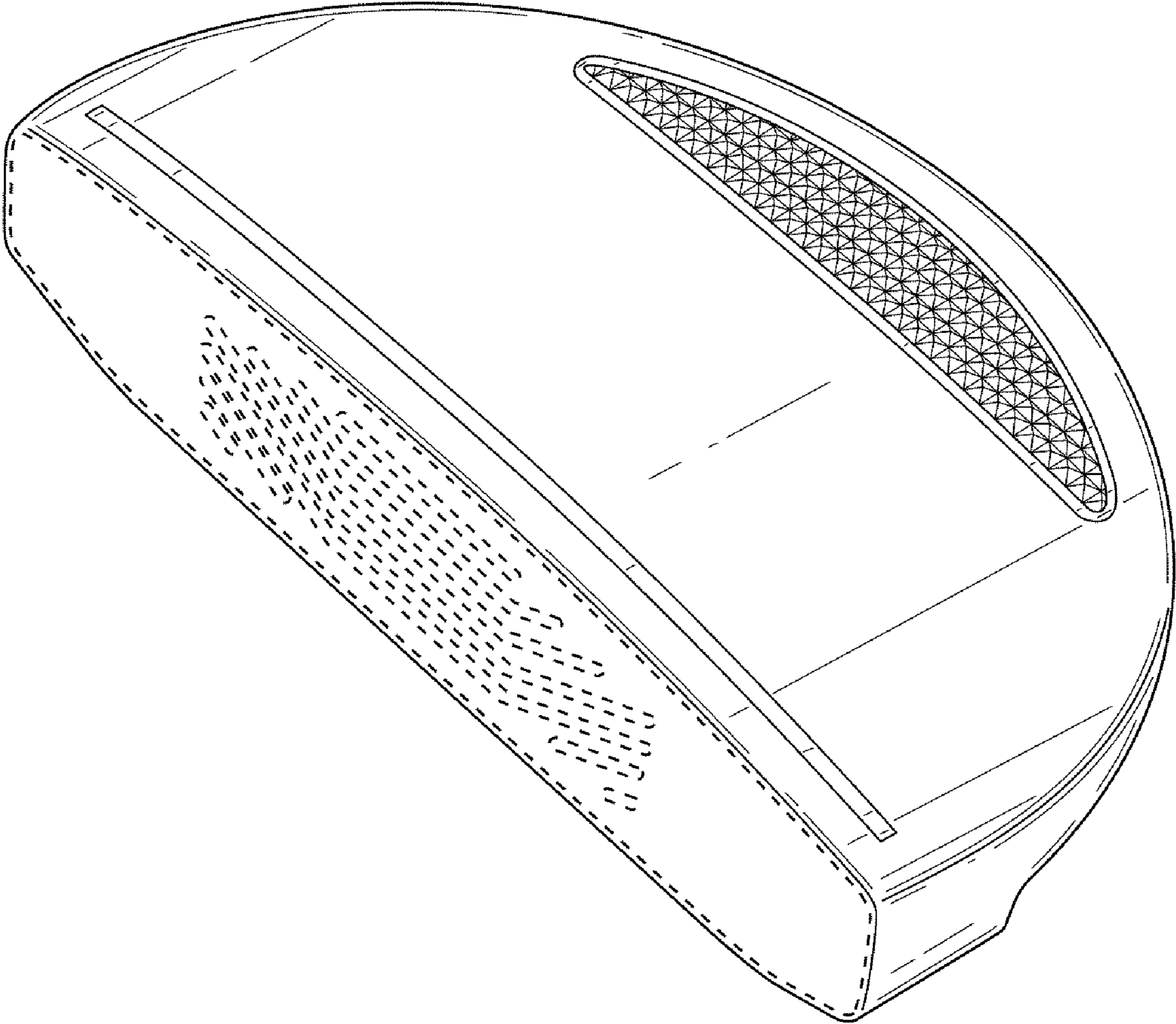


FIG. 2

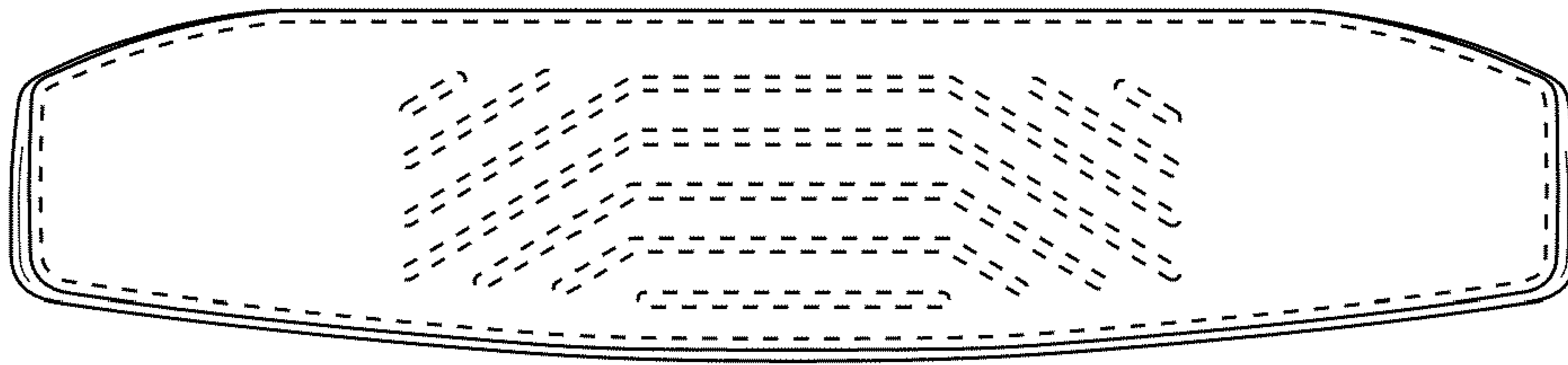


FIG. 3

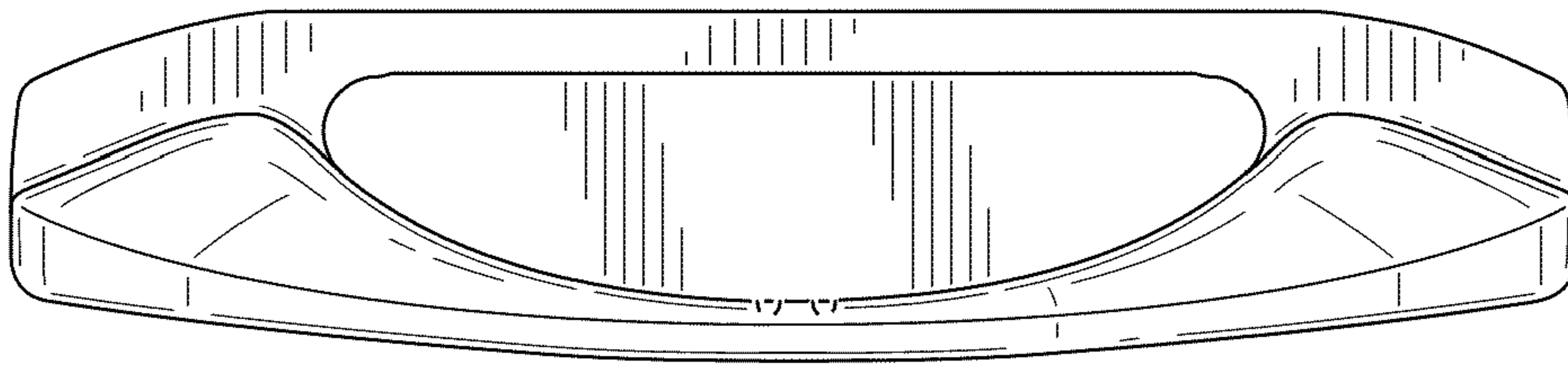


FIG. 4

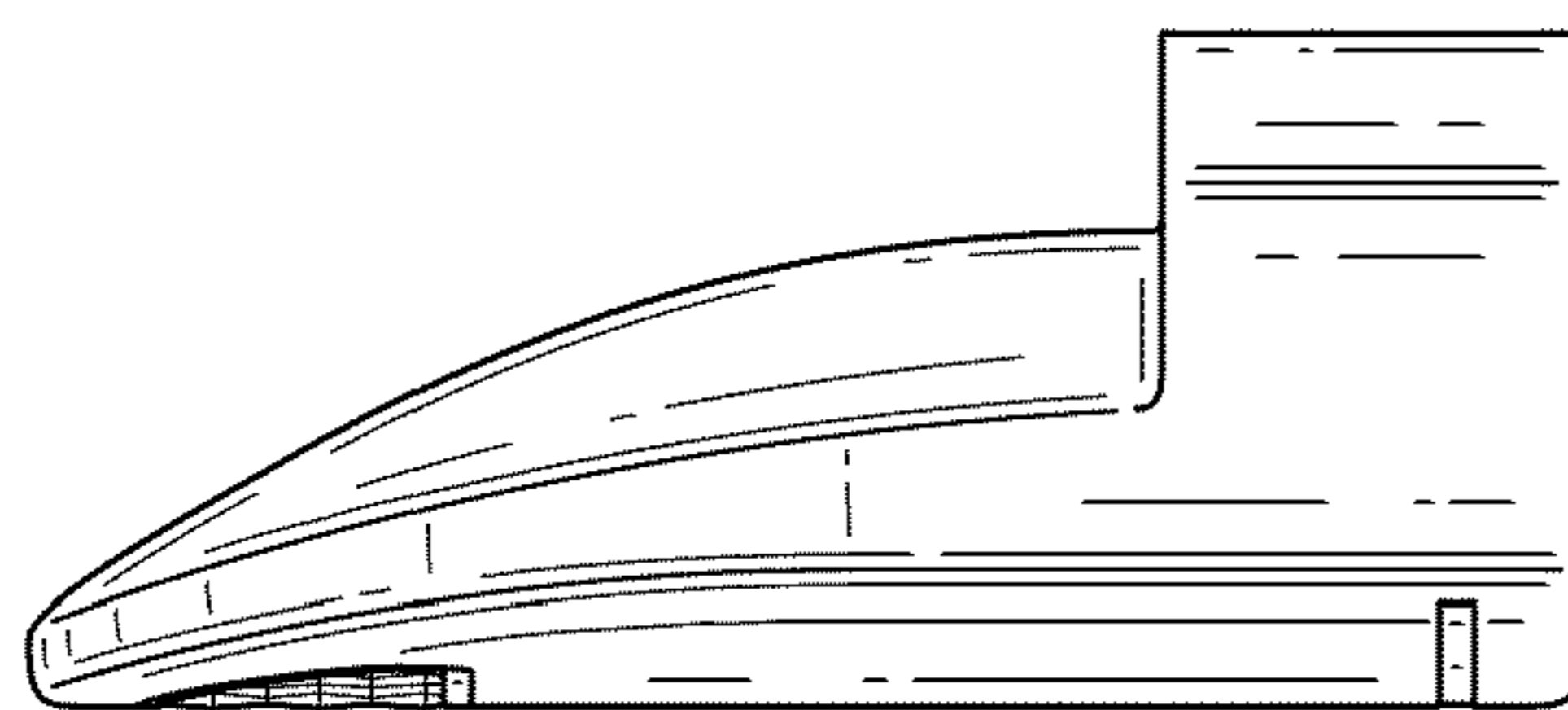


FIG. 5

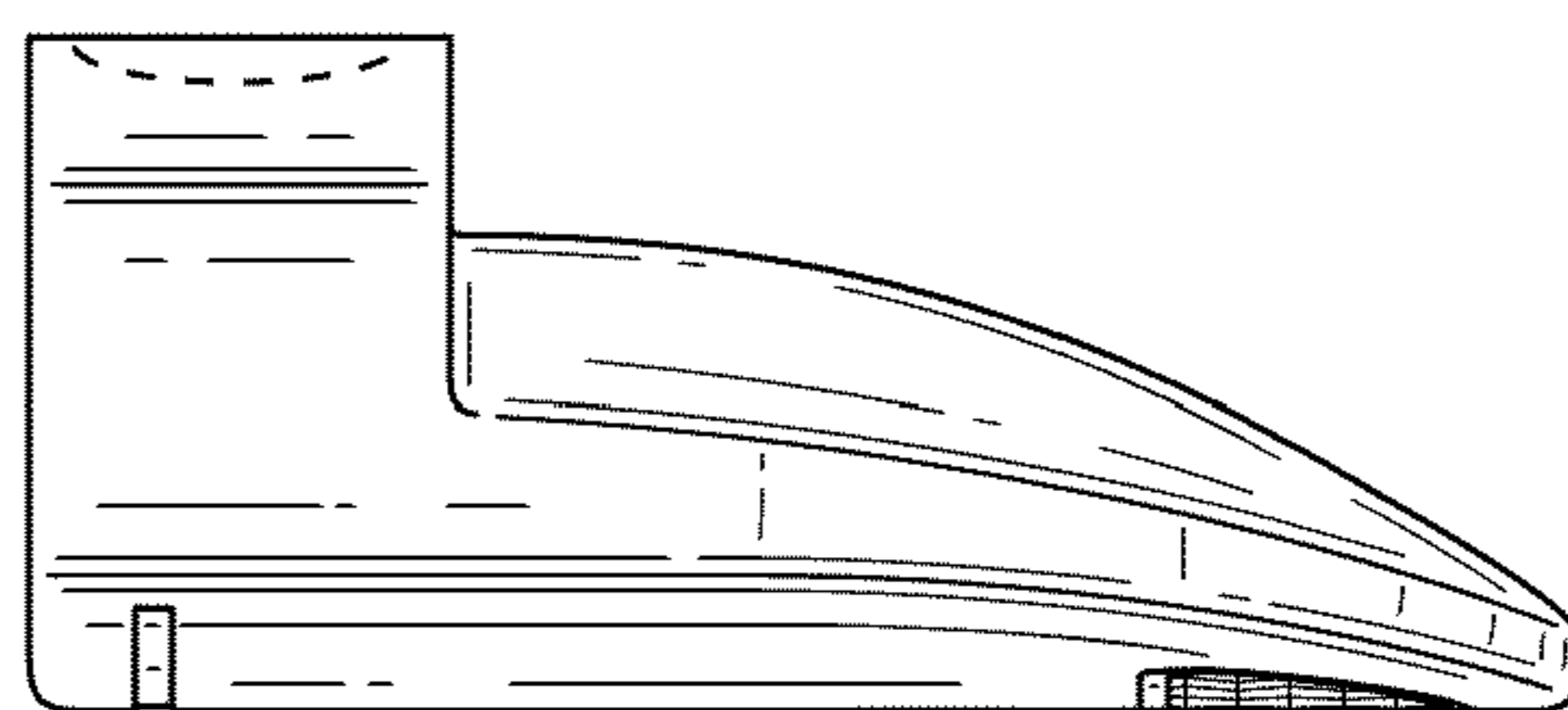


FIG. 6

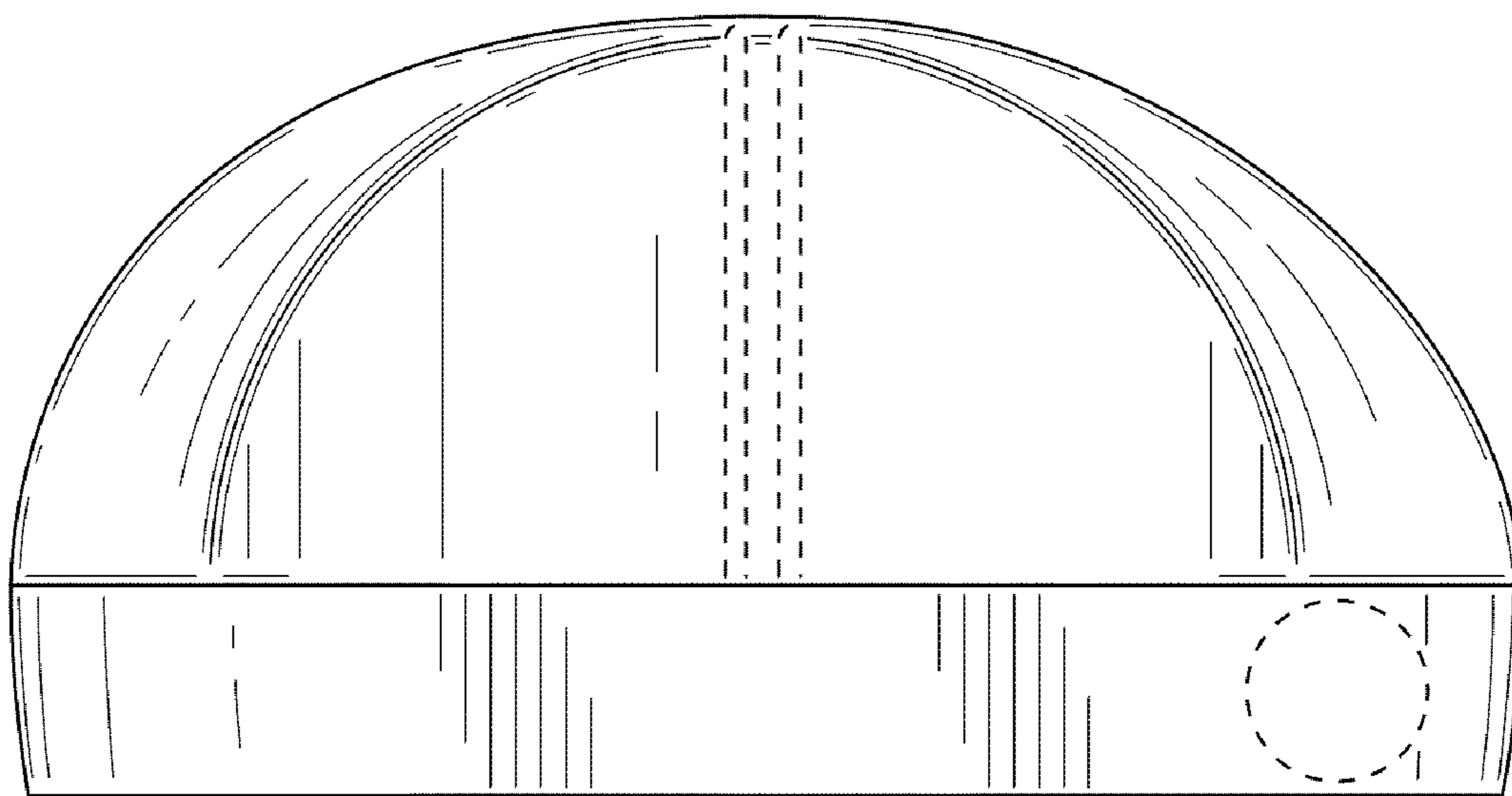


FIG. 7

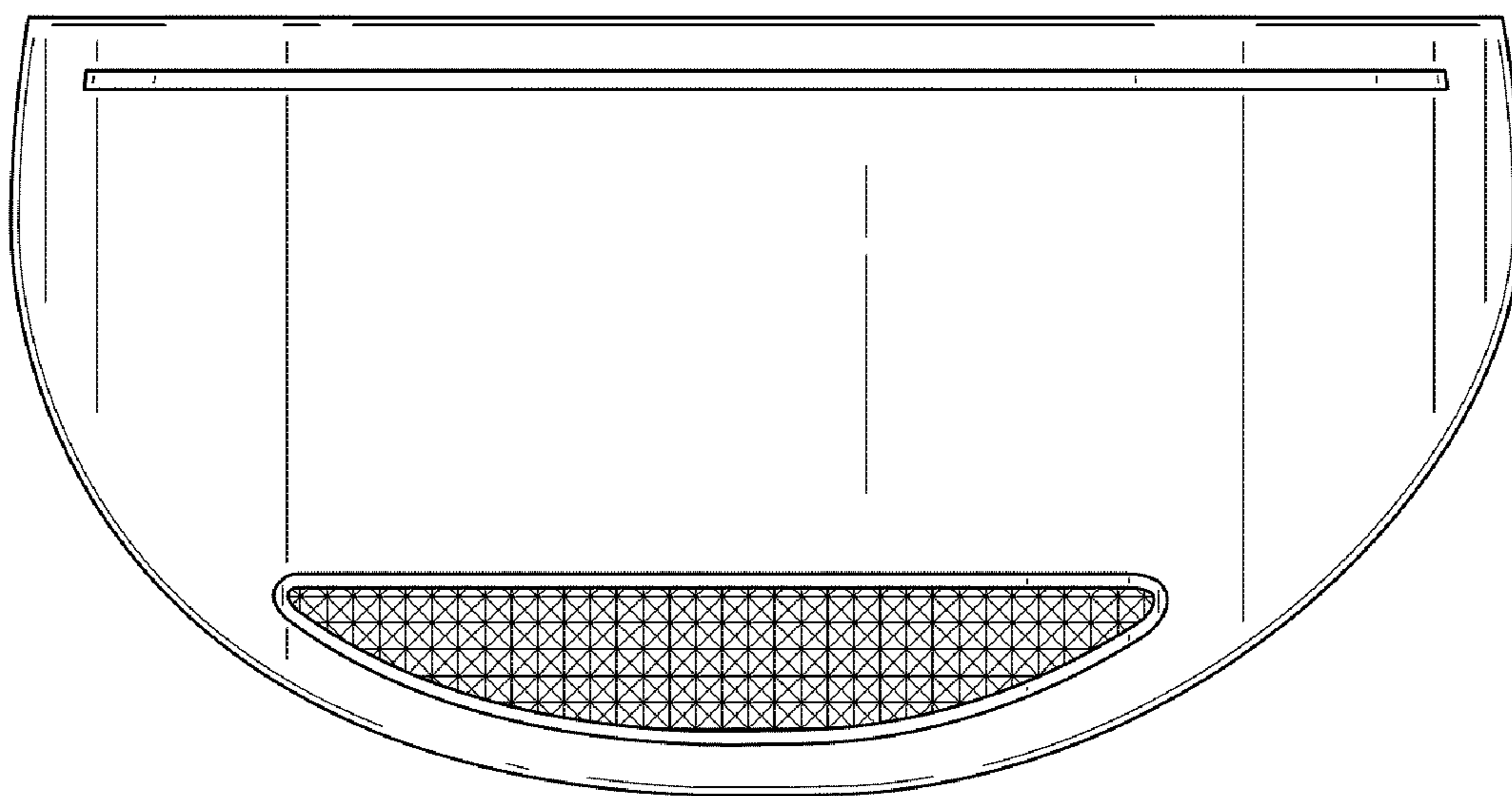


FIG. 8