



US00D604778S

(12) **United States Design Patent**
Chan

(10) **Patent No.:** **US D604,778 S**

(45) **Date of Patent:** **** Nov. 24, 2009**

(54) **TOY SPY SLEEVE**

(75) Inventor: **Ho-Choi Chan**, Kowloon (CN)

(73) Assignee: **Eastcolight (Hong Kong) Limited**,
Kowloon, Hong Kong (CN)

(**) Term: **14 Years**

(21) Appl. No.: **29/314,413**

(22) Filed: **Mar. 27, 2009**

(30) **Foreign Application Priority Data**

Sep. 28, 2008 (CN) 2008 3 0213504

(51) **LOC (9) Cl.** **21-01**

(52) **U.S. Cl.** **D21/483; D2/614; D2/619;**
D2/621

(58) **Field of Classification Search** D21/420,
D21/483, 513, 574; D2/610, 614, 615, 616,
D2/617, 619, 621; D29/113, 117.1, 117.2,
D29/120.1; 2/159, 160, 161.5, 161.6; 362/103
See application file for complete search history.

(56) **References Cited**

U.S. PATENT DOCUMENTS

D195,189	S	*	5/1963	Schulte	D2/614
D203,062	S	*	11/1965	Manuela	D2/614
4,625,339	A	*	12/1986	Peters	2/160
4,761,835	A	*	8/1988	Chen	2/160
D303,406	S	*	9/1989	Dean et al.	D21/572
4,864,658	A	*	9/1989	Russell et al.	2/160
D311,271	S	*	10/1990	Mann	D2/614
5,003,637	A	*	4/1991	Lonon	2/160
5,276,922	A	*	1/1994	Floyd, Jr.	2/160
5,345,368	A	*	9/1994	Huff	362/103

D359,154	S	*	6/1995	Goodson	D29/113
D369,453	S	*	5/1996	Robbins	D29/113
D371,396	S	*	7/1996	Lee et al.	D21/420
D414,311	S	*	9/1999	Westmoreland	D2/614
6,112,330	A	*	9/2000	Bryan	2/160
6,592,235	B1	*	7/2003	Mayo	362/103
7,124,447	B2	*	10/2006	Arganese	2/160
7,152,248	B2	*	12/2006	Ziemer	2/160
2005/0034212	A1	*	2/2005	Eisenbraun	2/159
2006/0143784	A1	*	7/2006	Jonker	2/160

* cited by examiner

Primary Examiner—Holly H Baynham

Assistant Examiner—Cynthia M Chin

(74) *Attorney, Agent, or Firm*—Alix, Yale & Ristas LLP

(57) **CLAIM**

The ornamental design for a toy spy sleeve, as shown and described.

DESCRIPTION

FIG. 1 is a perspective view of a toy spy sleeve showing my new design;

FIG. 2 is a bottom plan view thereof;

FIG. 3 is a left side elevational view thereof;

FIG. 4 is a right side elevational view thereof;

FIG. 5 is a top plan view thereof;

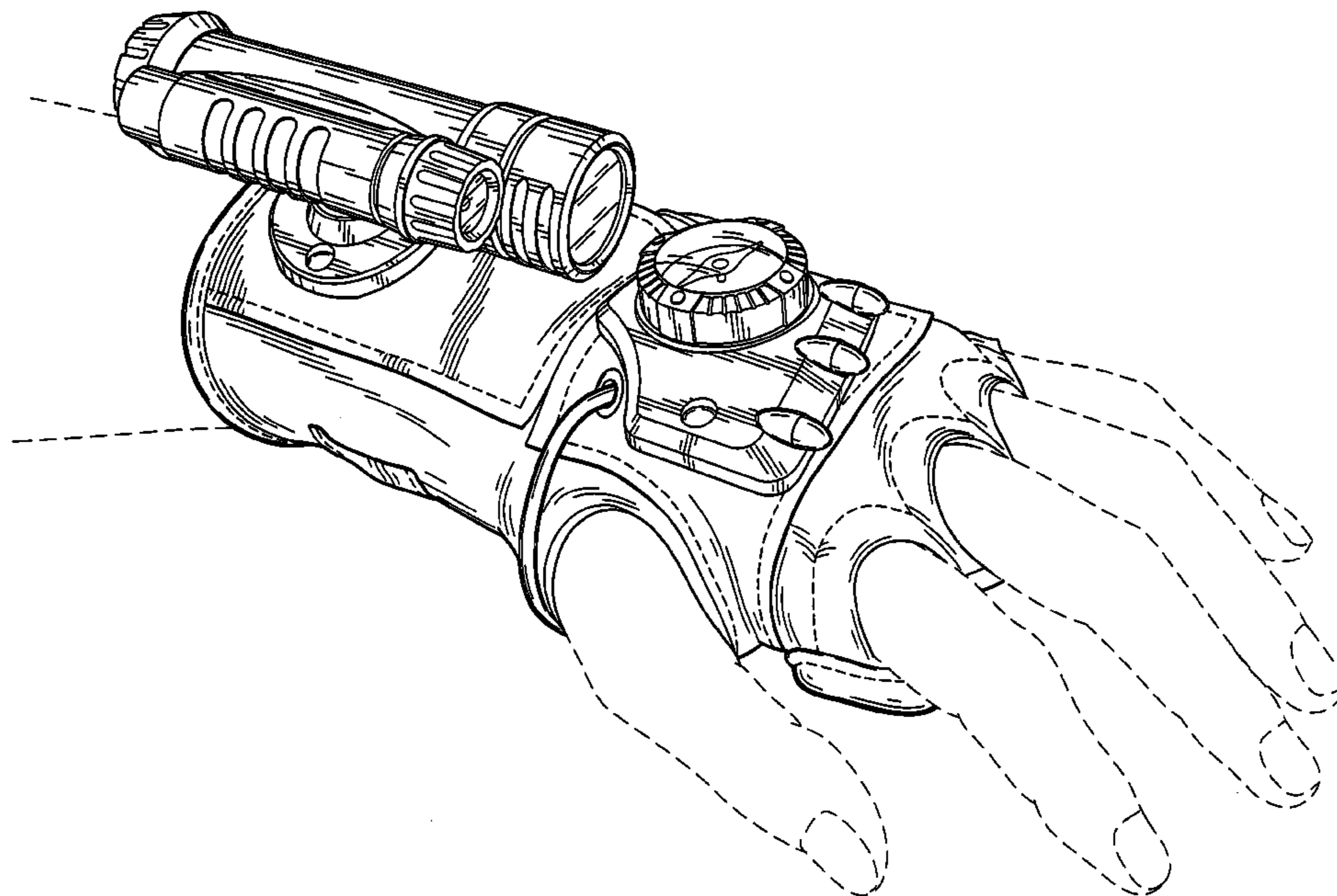
FIG. 6 is front elevational view thereof;

FIG. 7 is a rear elevational view thereof; and,

FIG. 8 is a top plan view in open position thereof.

The broken lines in the figures are for illustrative purposes only and form no part of the claimed design.

1 Claim, 7 Drawing Sheets



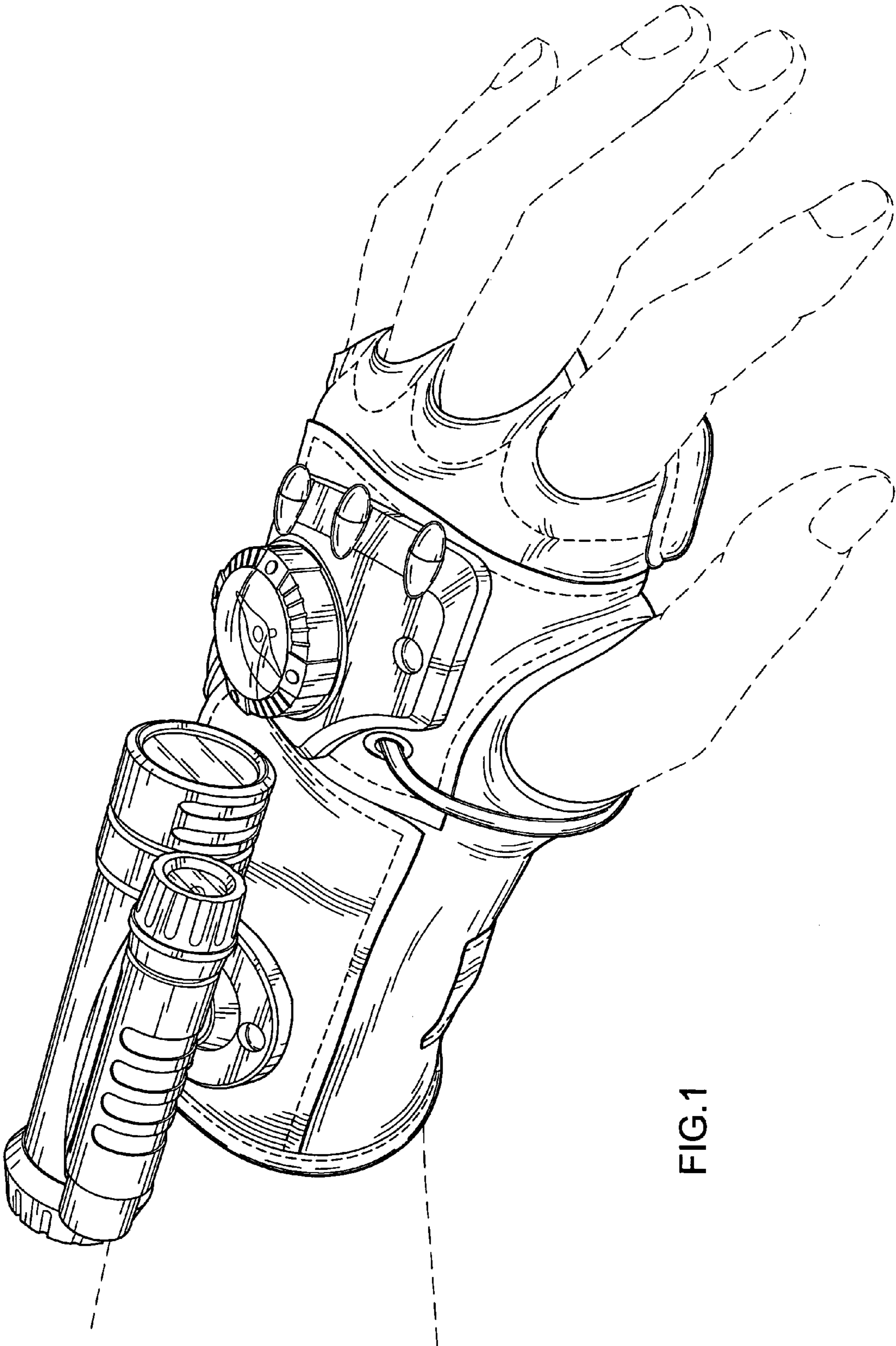


FIG.1

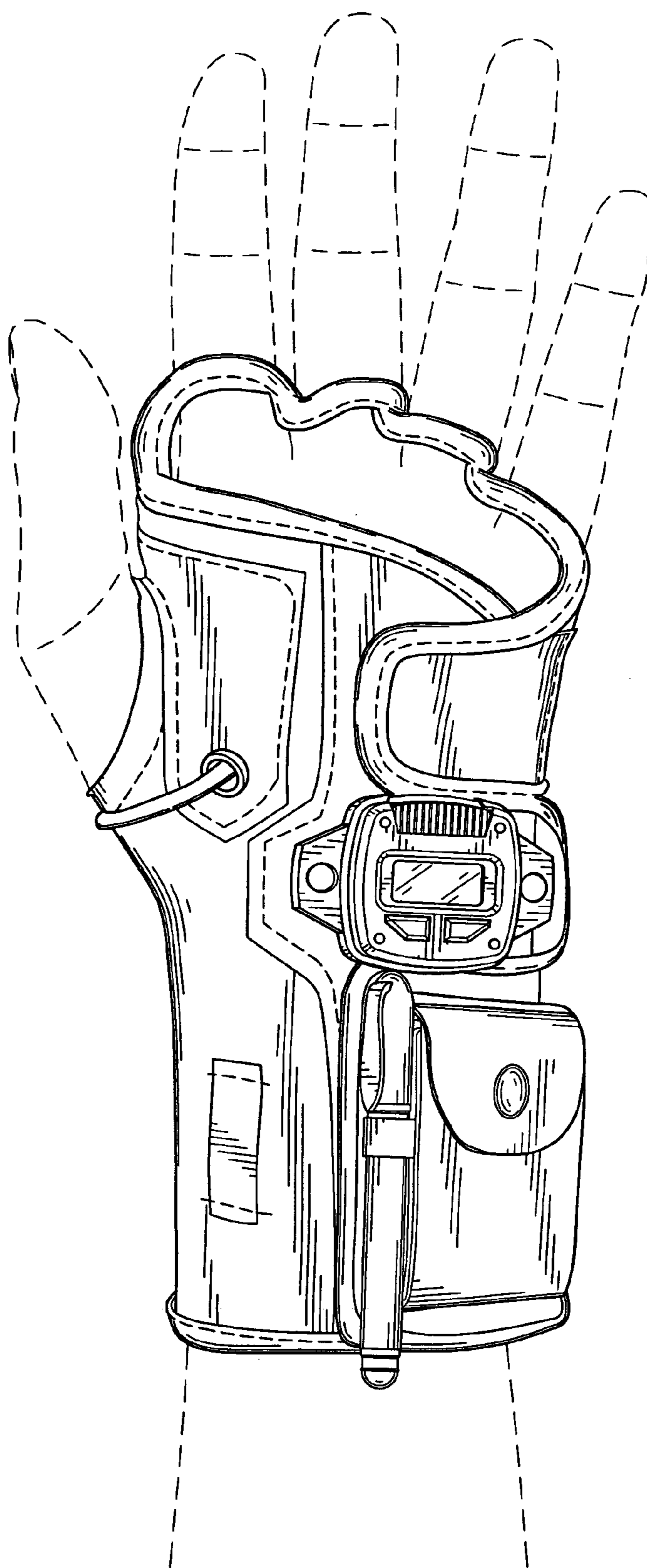


FIG.2

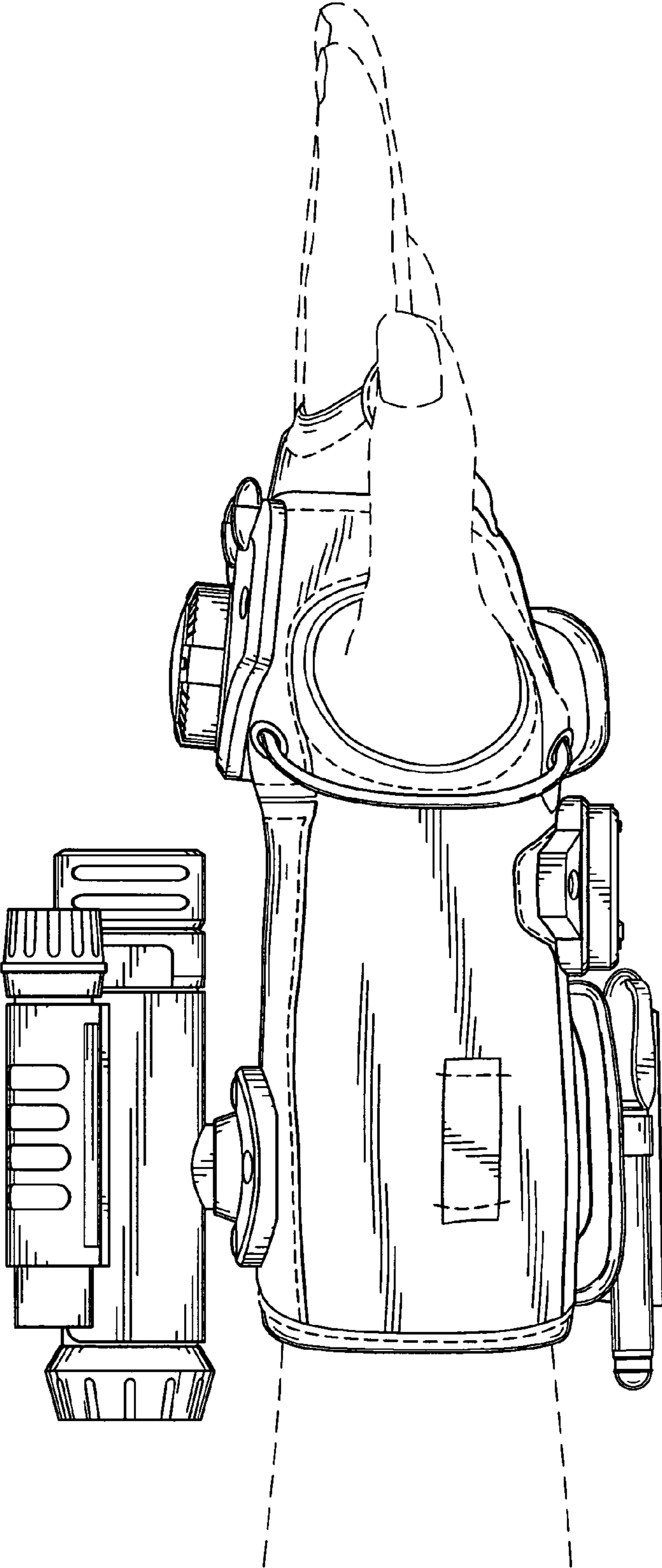


FIG.3

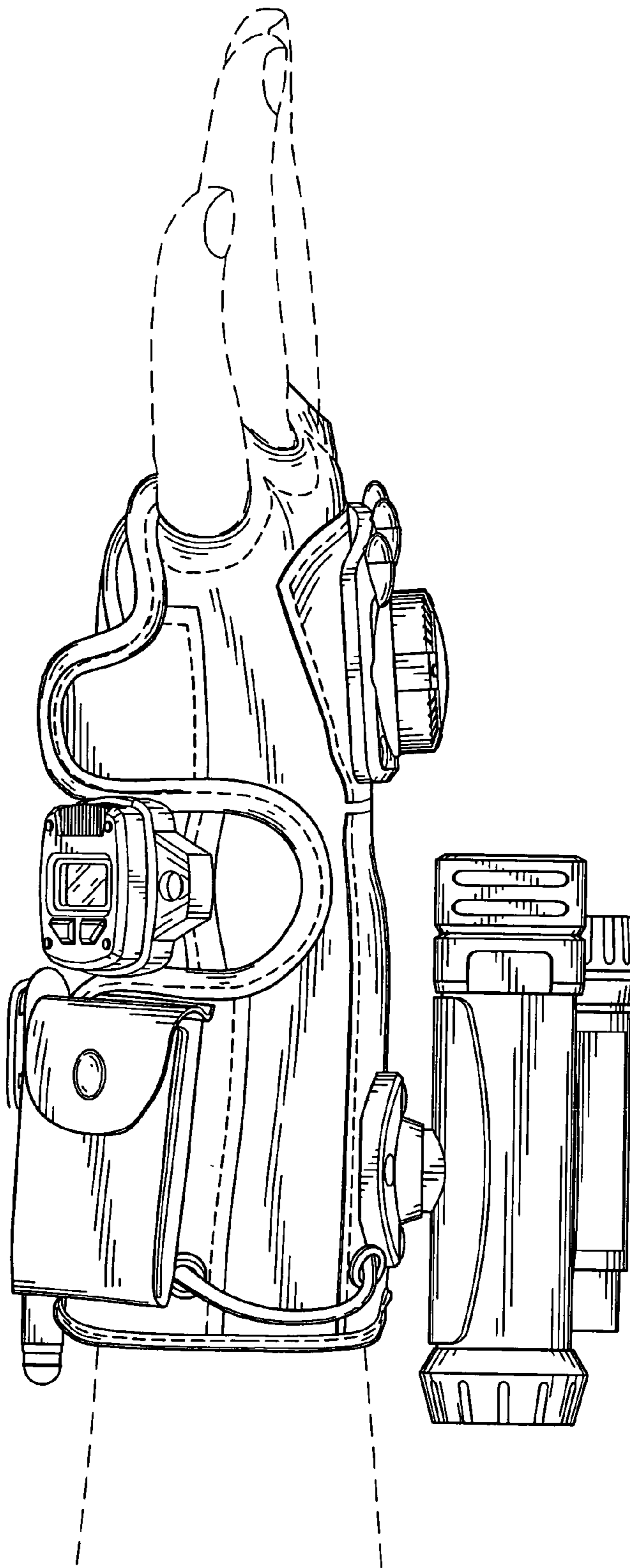


FIG.4

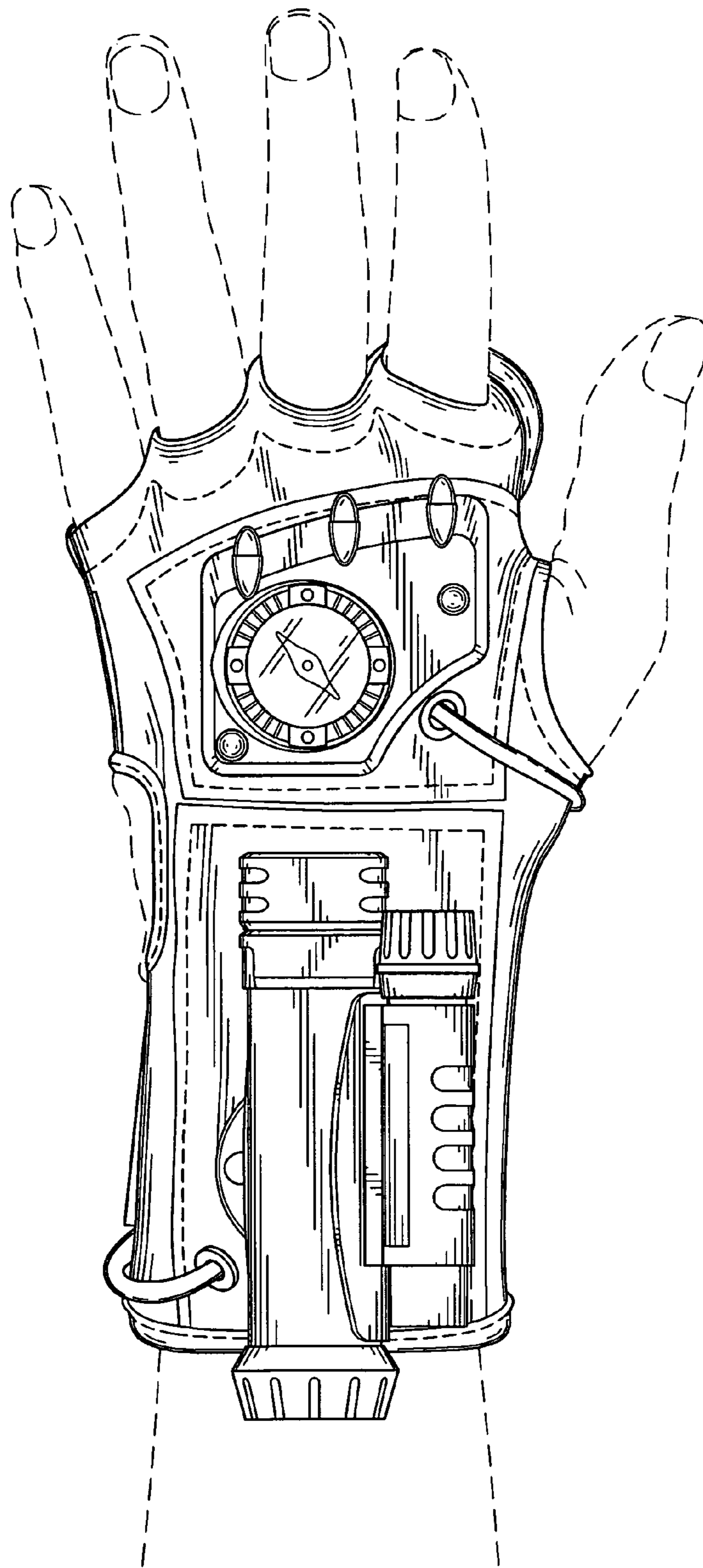


FIG.5

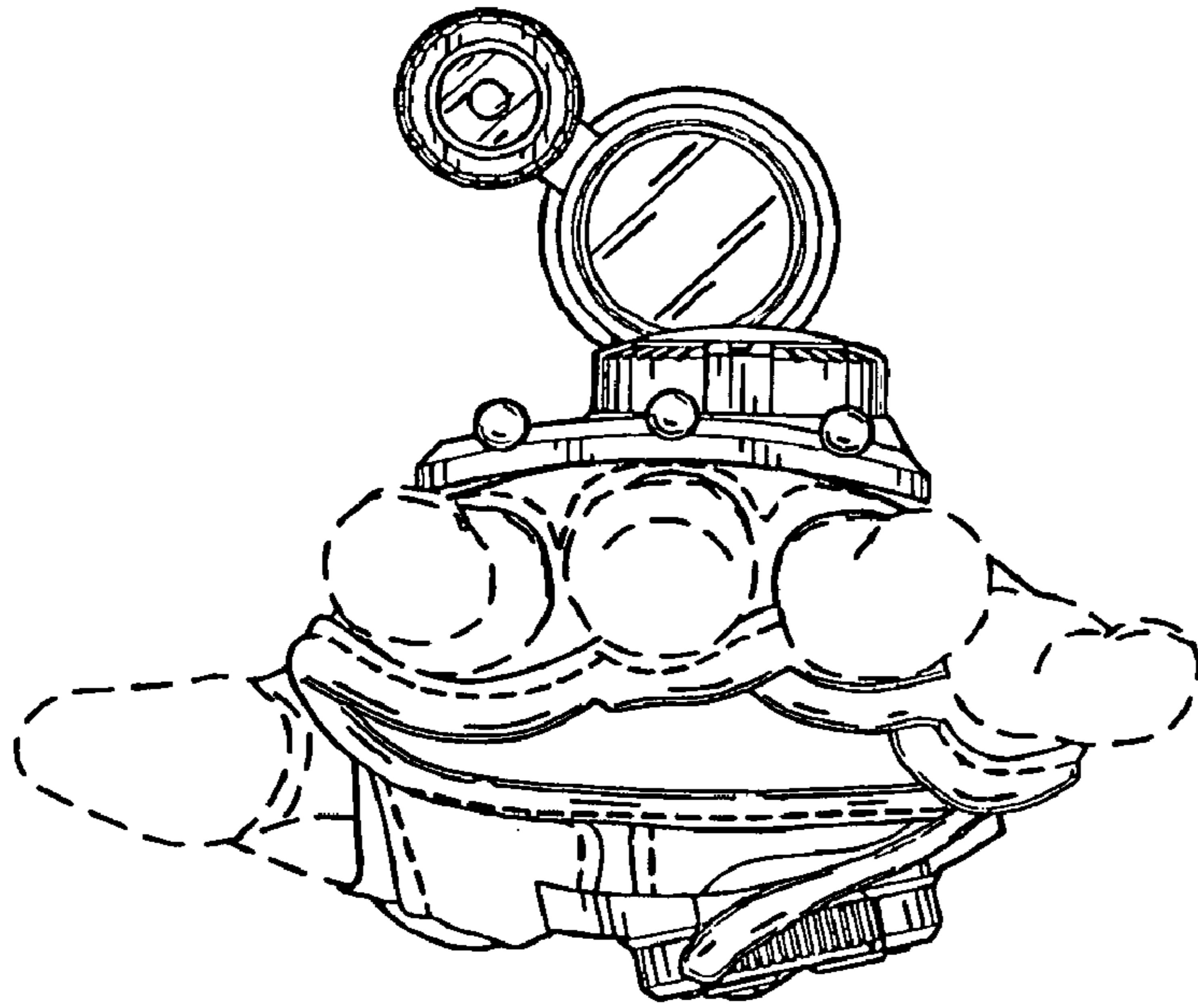


FIG. 6

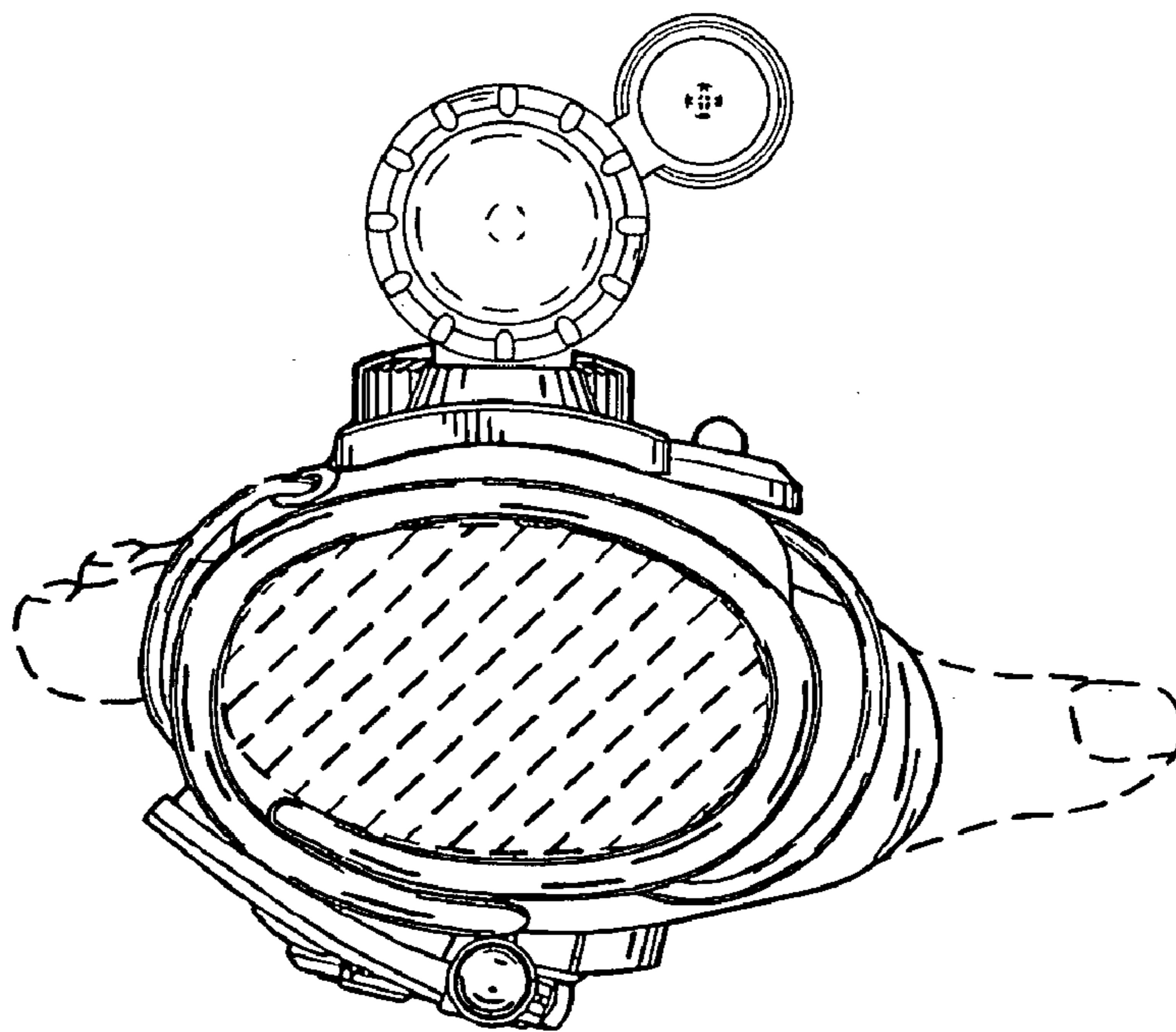


FIG. 7

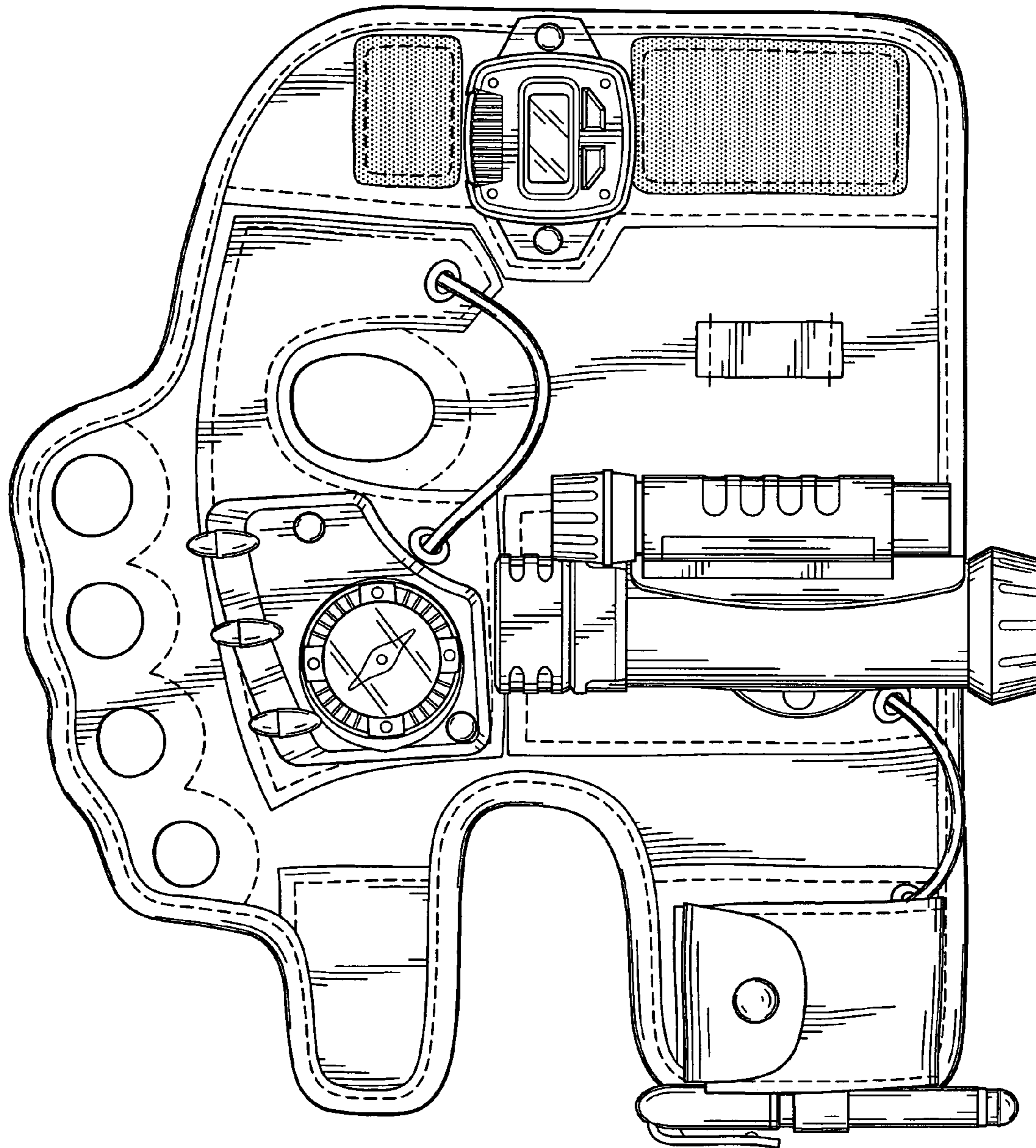


FIG.8