



US00D604776S

(12) **United States Design Patent**
Denoual

(10) **Patent No.:** **US D604,776 S**

(45) **Date of Patent:** **** Nov. 24, 2009**

(54) **DICE POKER AND CHIP HOLDER COMBINATION**

Primary Examiner—Sandra Morris
(74) *Attorney, Agent, or Firm*—Craig M. Stainbrook; Stainbrook & Stainbrook

(76) **Inventor:** **Thierry Denoual**, 30, rue Fresnay, Saint Gabriel Brecy (FR) F-14480

(57) **CLAIM**

(**) **Term:** **14 Years**

The ornamental design for a dice poker and chip holder combination, as shown and described.

(21) **Appl. No.:** **29/327,976**

(22) **Filed:** **Nov. 17, 2008**

DESCRIPTION

(51) **LOC (9) Cl.** **21-01**

FIG. 1 is an upper right front perspective view with dice and poker chips shown in dashed lines and not claimed as part of this design;

(52) **U.S. Cl.** **D21/392; D21/372**

FIG. 2 is an upper right front perspective view;

(58) **Field of Classification Search** D21/334–369, D21/371–373, 392–396; 273/146, 268, 274

FIG. 3 is a top plan view, the bottom is plane and unornamented;

See application file for complete search history.

FIG. 4 is a front elevational view;

(56) **References Cited**

U.S. PATENT DOCUMENTS

D150,210 S *	7/1948	Craig	D21/346
4,648,602 A *	3/1987	Maroney	273/146
6,276,688 B1 *	8/2001	Ullerich et al.	273/287
6,299,166 B1 *	10/2001	Factor	273/146

FIG. 5 is a rear elevational view;

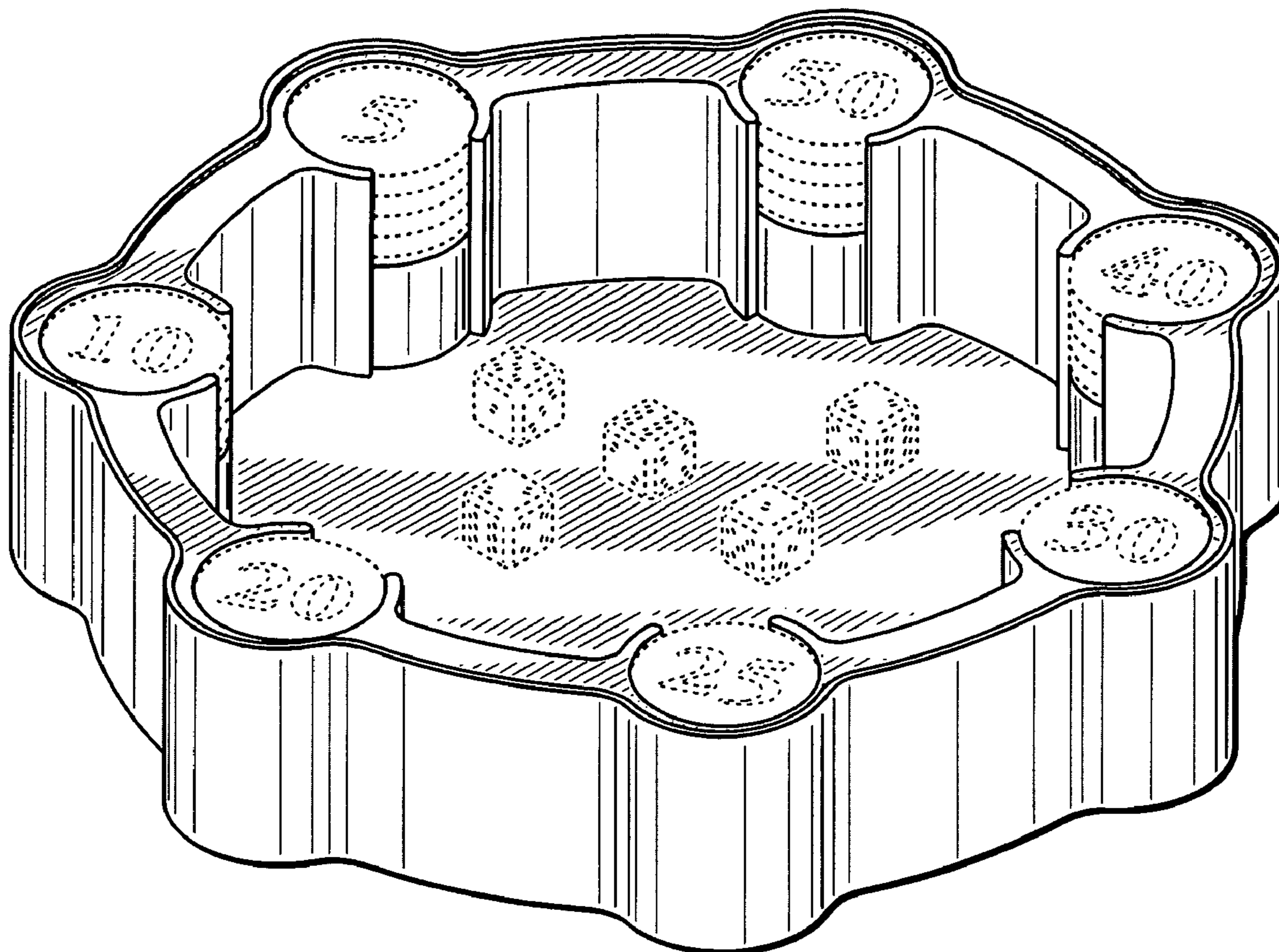
FIG. 6 is a right side elevational view; and,

FIG. 7 is a left side elevational view.

The broken lines showing of the article are for purposes of illustration only and form no part of the claimed design.

* cited by examiner

1 Claim, 3 Drawing Sheets



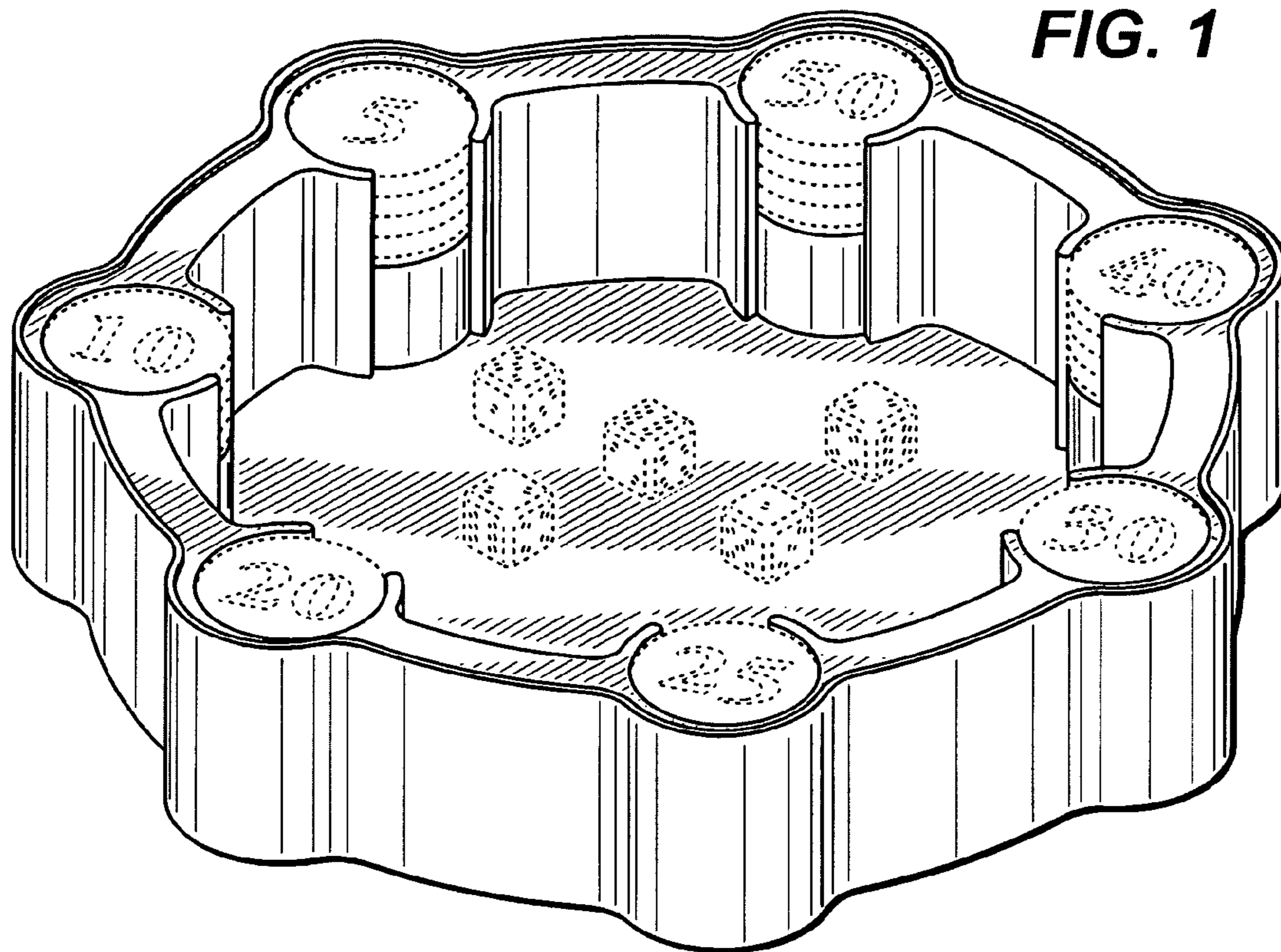


FIG. 1

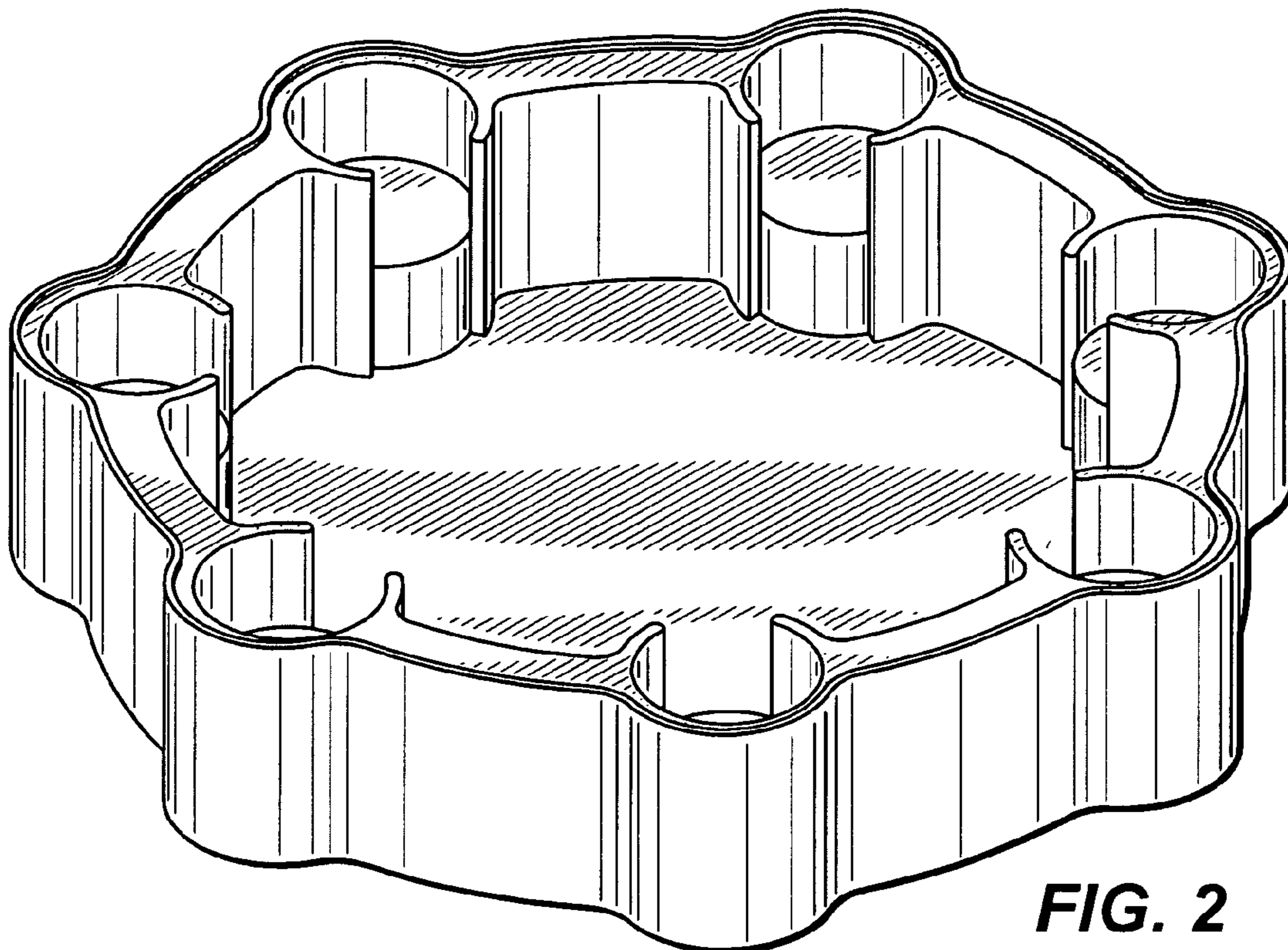


FIG. 2

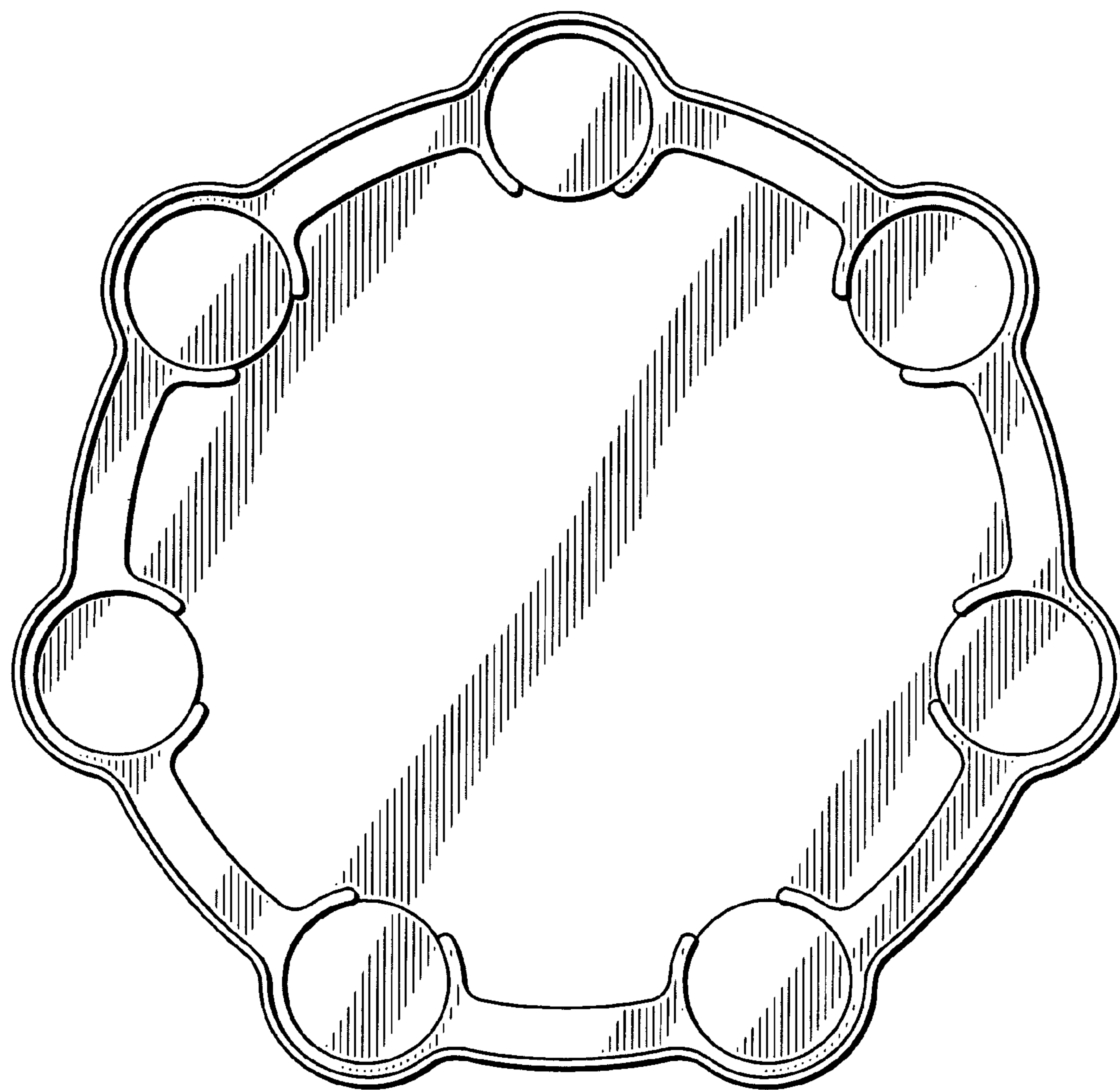


FIG. 3

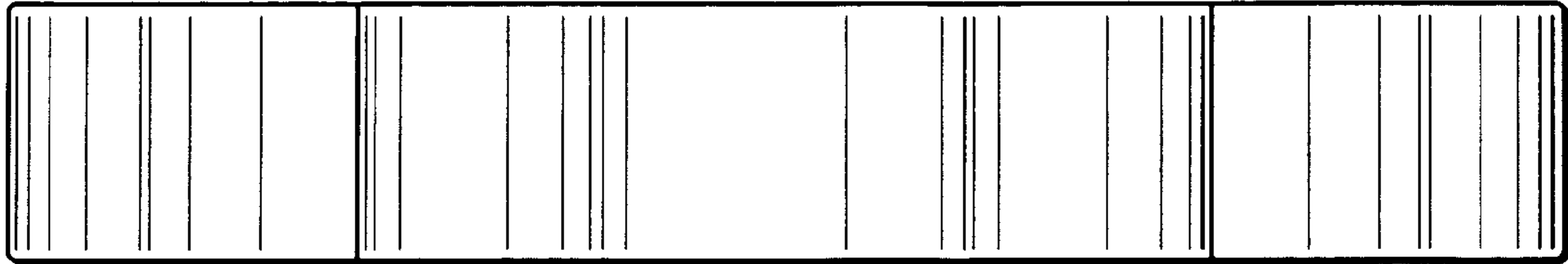


FIG. 4

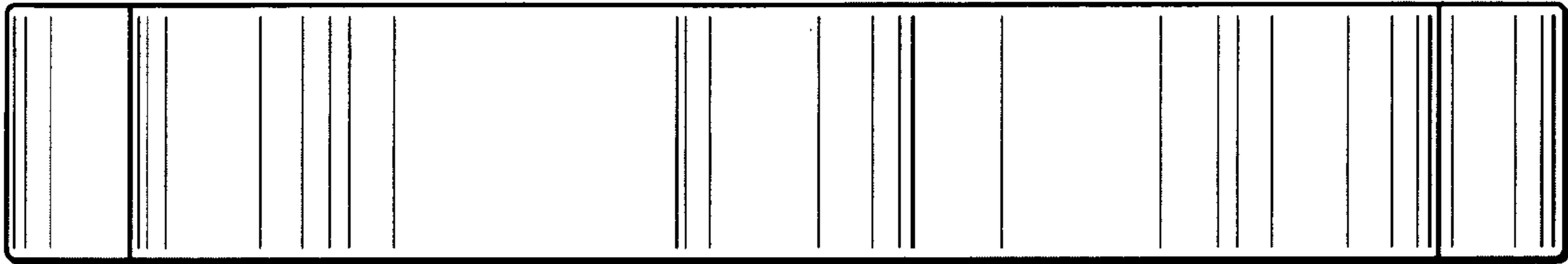


FIG. 5

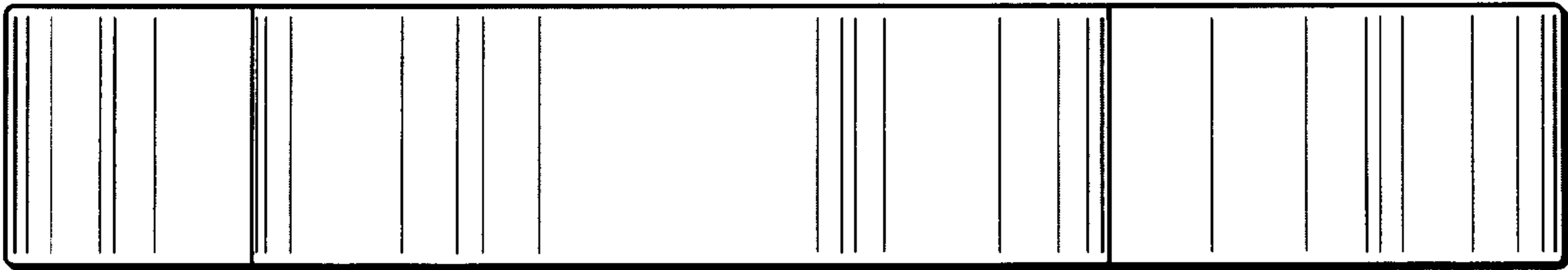


FIG. 6

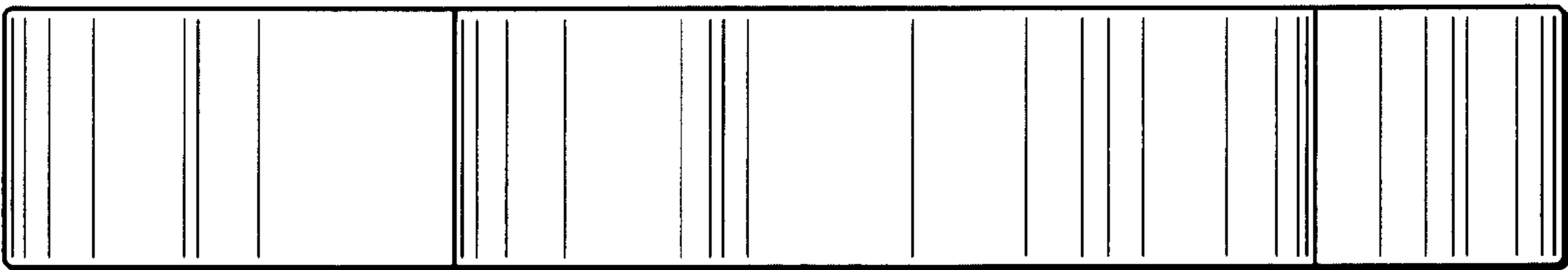


FIG. 7