



US00D604773S

(12) **United States Design Patent**
De Viveiros Ortiz

(10) **Patent No.:** **US D604,773 S**

(45) **Date of Patent:** **** Nov. 24, 2009**

(54) **GAMING MACHINE CONSOLE**

(75) Inventor: **Johnny De Viveiros Ortiz**, Escaldes
Engordany (AD)

(73) Assignee: **Monoscoop B.V.**, Alkmaar (NL)

(**) Term: **14 Years**

(21) Appl. No.: **29/330,574**

(22) Filed: **Jan. 9, 2009**

(30) **Foreign Application Priority Data**

Jul. 10, 2008 (EM) 000967708-0001

(51) **LOC (9) Cl.** **21-01**

(52) **U.S. Cl.** **D21/325; D21/369**

(58) **Field of Classification Search** D21/325,
D21/329, 333, 369-371, 385; 273/148 B,
273/138.1; 463/1, 16-21, 25, 42, 46, 47
See application file for complete search history.

(56) **References Cited**

U.S. PATENT DOCUMENTS

5,456,468 A * 10/1995 Stringfellow et al. 463/46

6,508,707 B2 * 1/2003 DeMar et al. 463/16

6,656,041 B1 * 12/2003 Kaminkow et al. 463/16
D496,407 S * 9/2004 Gadda et al. D21/370
D508,719 S * 8/2005 de Haas D21/369
D508,961 S * 8/2005 Gatto et al. D21/369
D548,287 S * 8/2007 Yamanaka et al. D21/325
D570,922 S * 6/2008 Reetz D21/325
D587,319 S * 2/2009 Moises Deiab D21/325

* cited by examiner

Primary Examiner—Prabhakar Deshmukh

(74) *Attorney, Agent, or Firm*—Shoemaker and Mattare

(57) **CLAIM**

The ornamental design for a game machine console, as shown and described.

DESCRIPTION

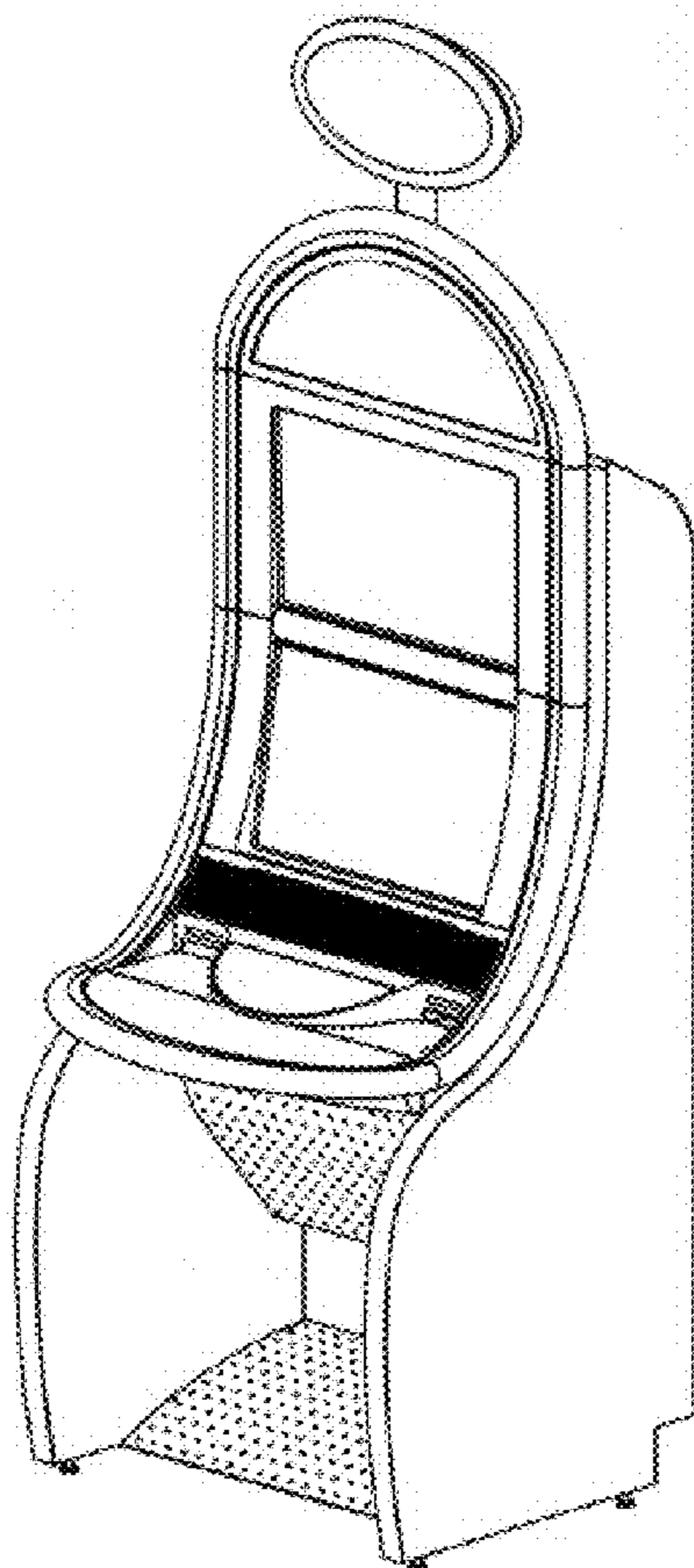
FIG. 1 is a perspective view of a game machine console, showing my new design from the front, left side and top;

FIG. 2 is a front elevational view thereof; and,

FIG. 3 is a right side elevational view thereof; the left side being a mirror image.

The bottom and rear of the game machine console are disclaimed.

1 Claim, 1 Drawing Sheet



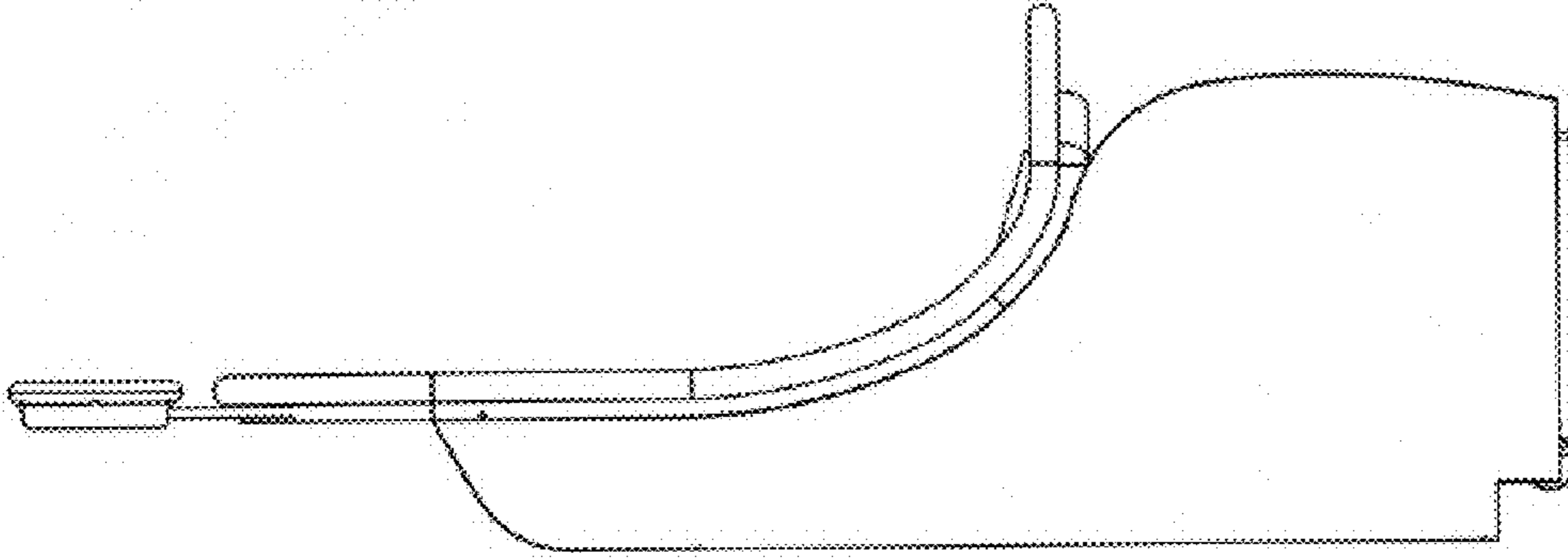


Fig. 3

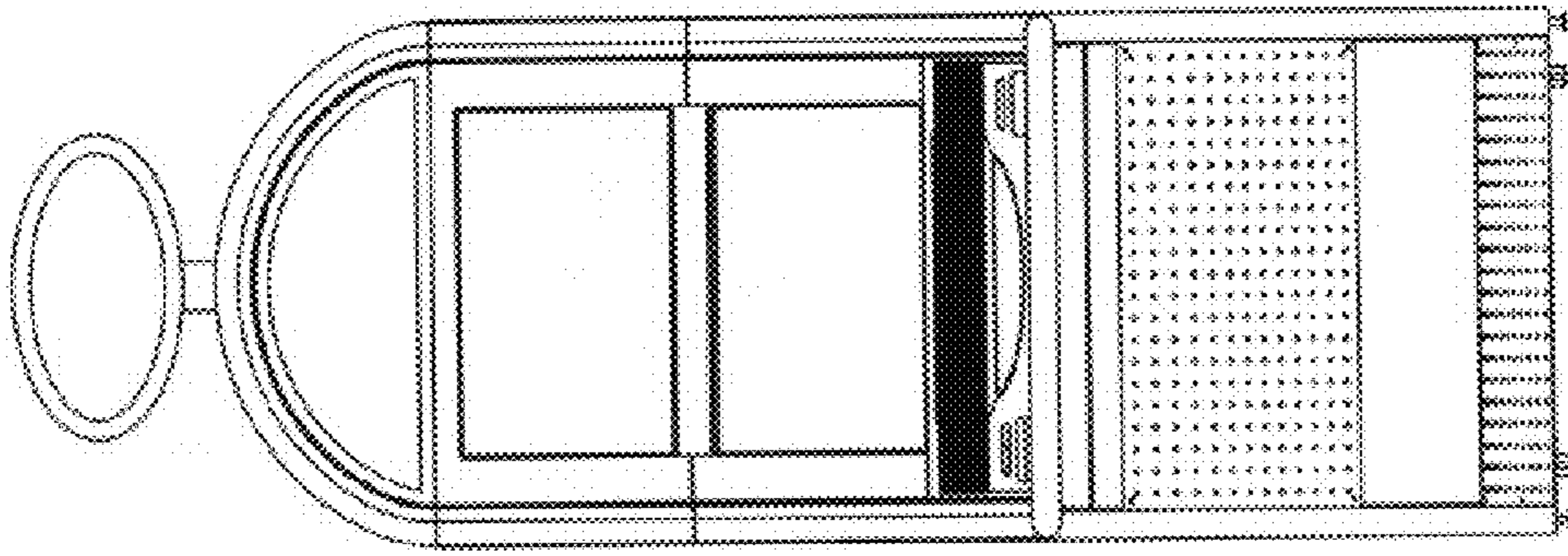


Fig. 2

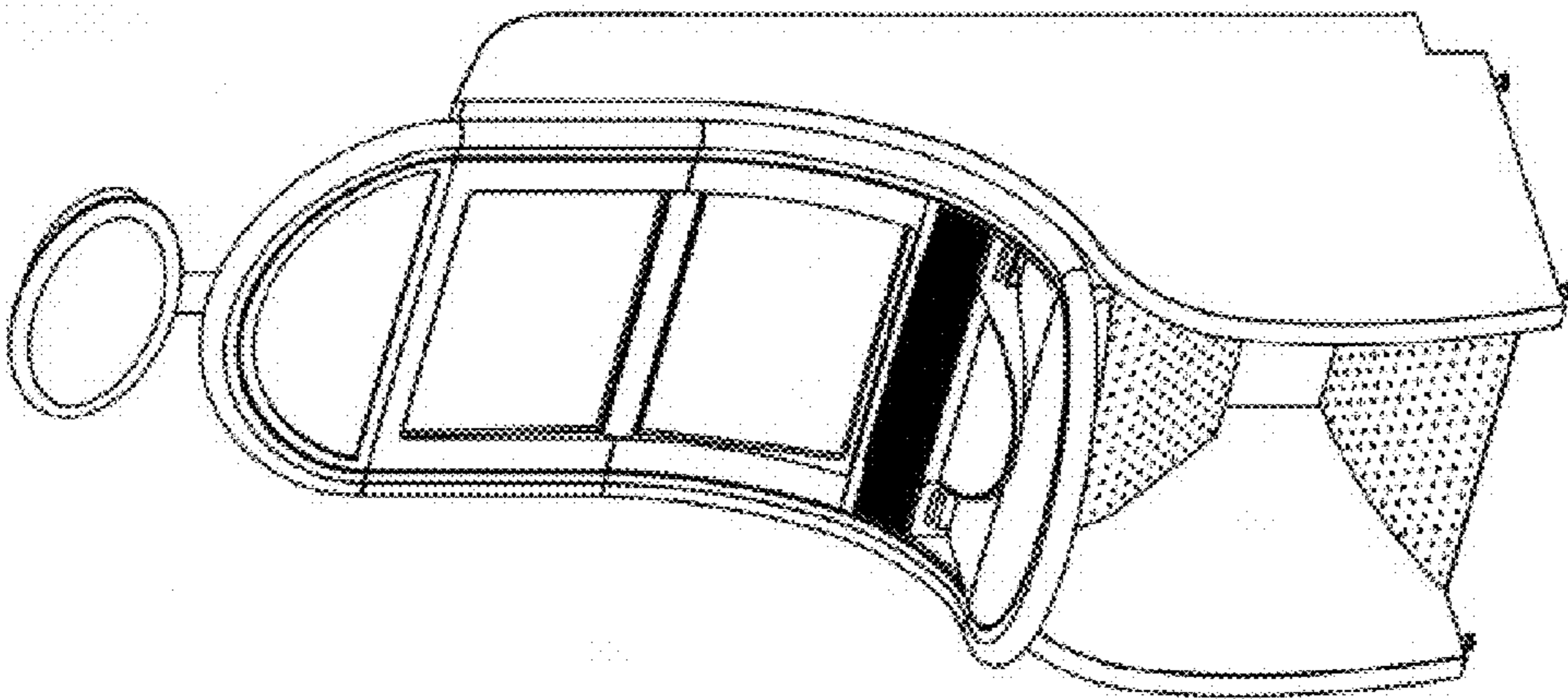


Fig. 1