



US00D604769S

(12) **United States Design Patent**
Chen et al.

(10) **Patent No.:** **US D604,769 S**

(45) **Date of Patent:** **** Nov. 24, 2009**

(54) **DESK TOP FILE ORGANIZER**

D481,075 S * 10/2003 Chang D19/90
D518,526 S * 4/2006 Benn D19/90

(75) Inventors: **Peter Chen**, West Windsor, NJ (US);
Jungkun Lee, Edison, NJ (US)

OTHER PUBLICATIONS

(73) Assignee: **Officemate International Corp.**,
Edison, NJ (US)

DecoFlex Desktop file, on www.123sortit.com, 3 pages, dated Winter 1997.*

* cited by examiner

(**) Term: **14 Years**

Primary Examiner—Elizabeth A Albert

(21) Appl. No.: **29/313,143**

(74) *Attorney, Agent, or Firm*—Daniel Kirshner

(22) Filed: **Dec. 11, 2008**

(57) **CLAIM**

(51) **LOC (9) Cl.** **19-02**

The ornamental design for a desk top file organizer, as shown and described.

(52) **U.S. Cl.** **D19/90**

(58) **Field of Classification Search** D3/201,
D3/304, 307, 308, 312, 313, 314; D6/449,
D6/475; D19/75, 77–87, 90–92; 206/215,
206/426, 449, 555; 211/10, 11, 45, 50; 220/676
See application file for complete search history.

DESCRIPTION

(56) **References Cited**

U.S. PATENT DOCUMENTS

D227,191 S	*	6/1973	Cape	D3/312
D243,068 S	*	1/1977	Verni	D3/312
D289,181 S	*	4/1987	Solomon	D19/90
D299,037 S	*	12/1988	Klodt	D19/90
D307,499 S	*	4/1990	Box	D3/312
D314,656 S	*	2/1991	Box	D3/312
D326,550 S	*	5/1992	Waterman	D3/304
D335,309 S	*	5/1993	Evenson	D19/90
D351,621 S	*	10/1994	Terzian	D19/90
D372,583 S	*	8/1996	Brightbill	D3/314
D401,024 S	*	11/1998	Seymour	D32/37

FIG. 1 is a front perspective view of a desk top file organizer showing the new design;

FIG. 2 is a rear perspective view thereof;

FIG. 3 is a front view thereof;

FIG. 4 is a rear view thereof;

FIG. 5 is a left side view thereof;

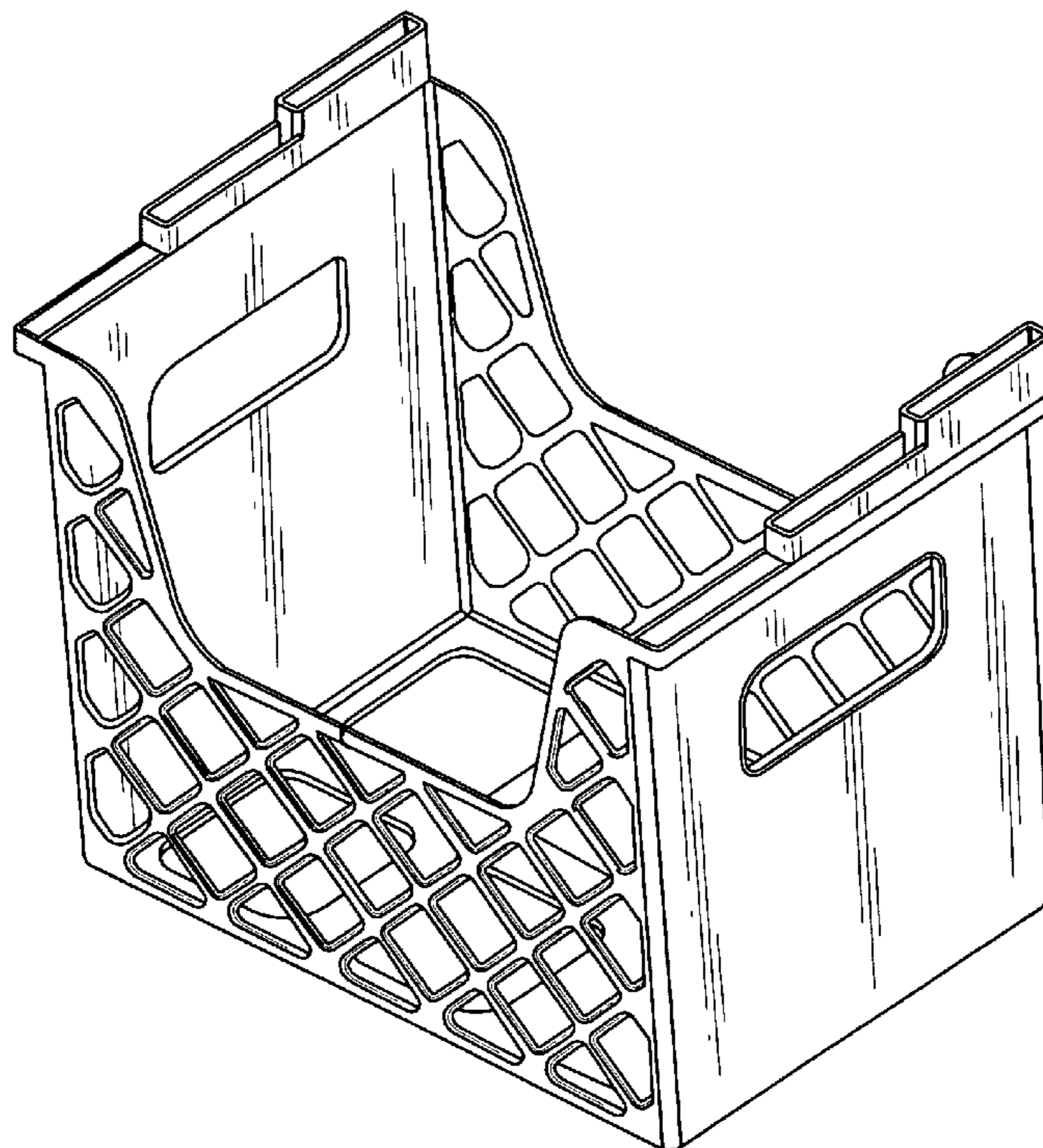
FIG. 6 is a right side view thereof;

FIG. 7 is a top view thereof; and,

FIG. 8 is a bottom view thereof.

The broken lines showing the bottom surfaces of the openings and features within on either side in FIG. 7 are included for the purpose of illustrating environment and form no part of the claimed design.

1 Claim, 8 Drawing Sheets



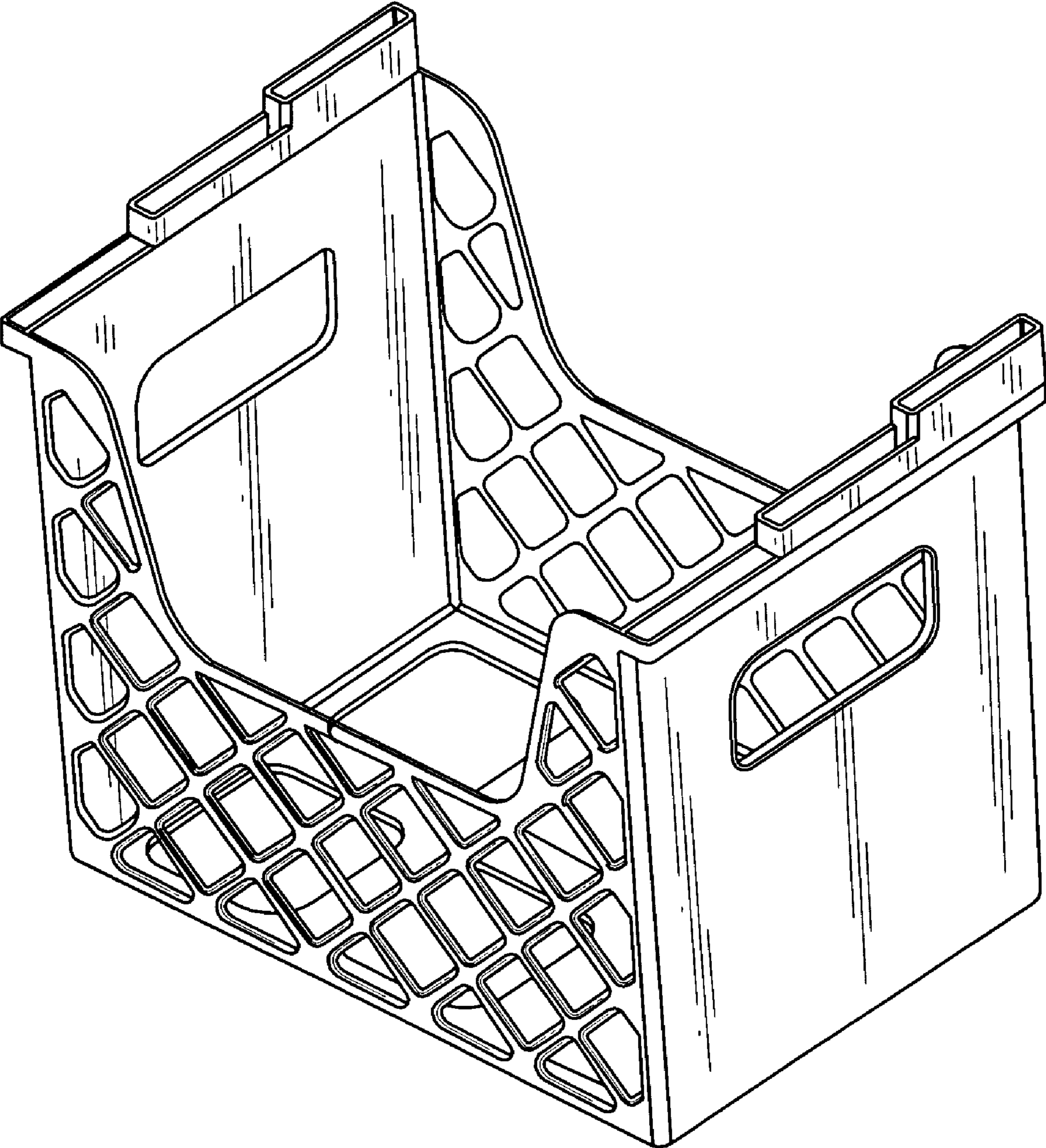


FIG. 1

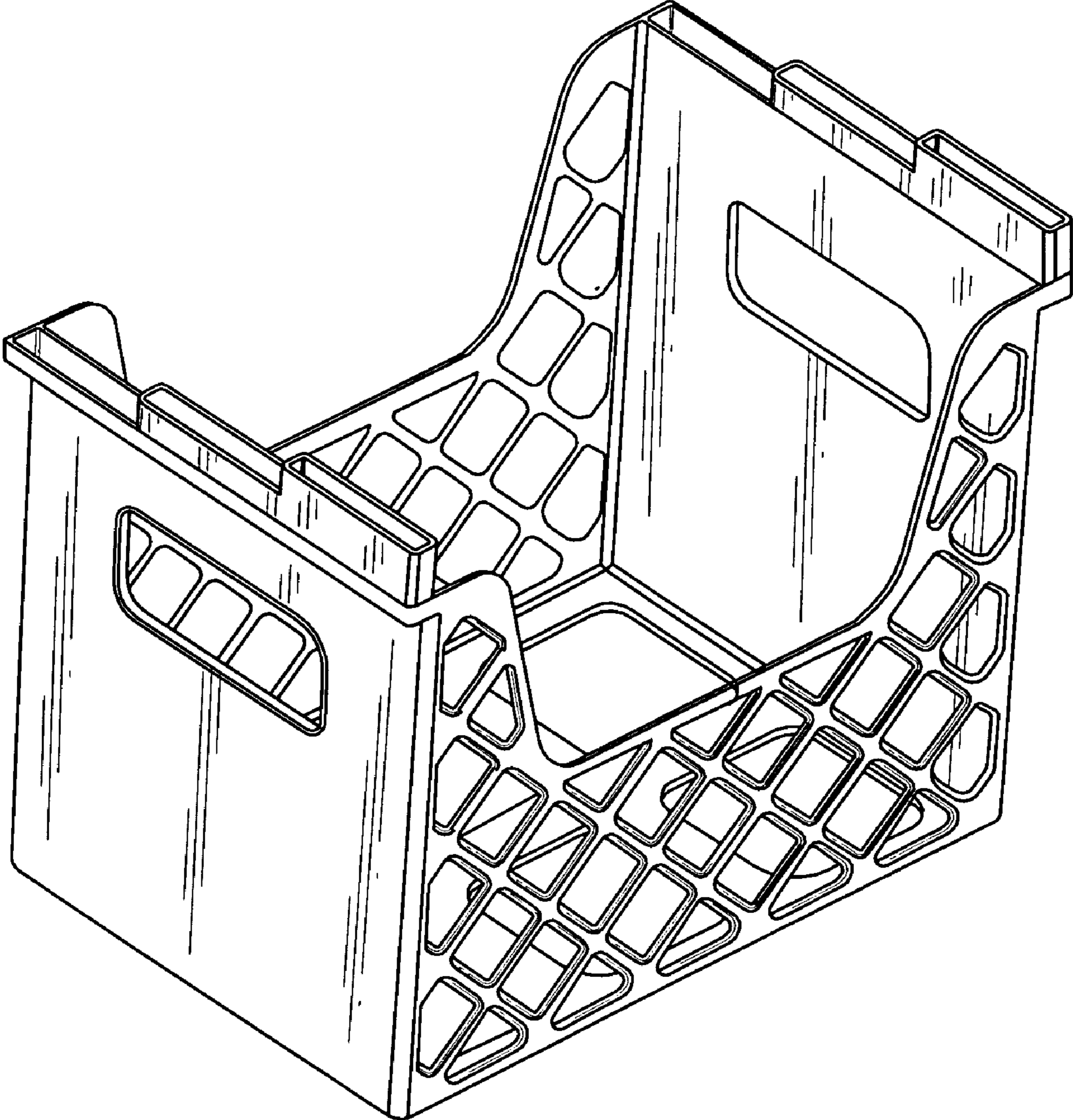


FIG. 2

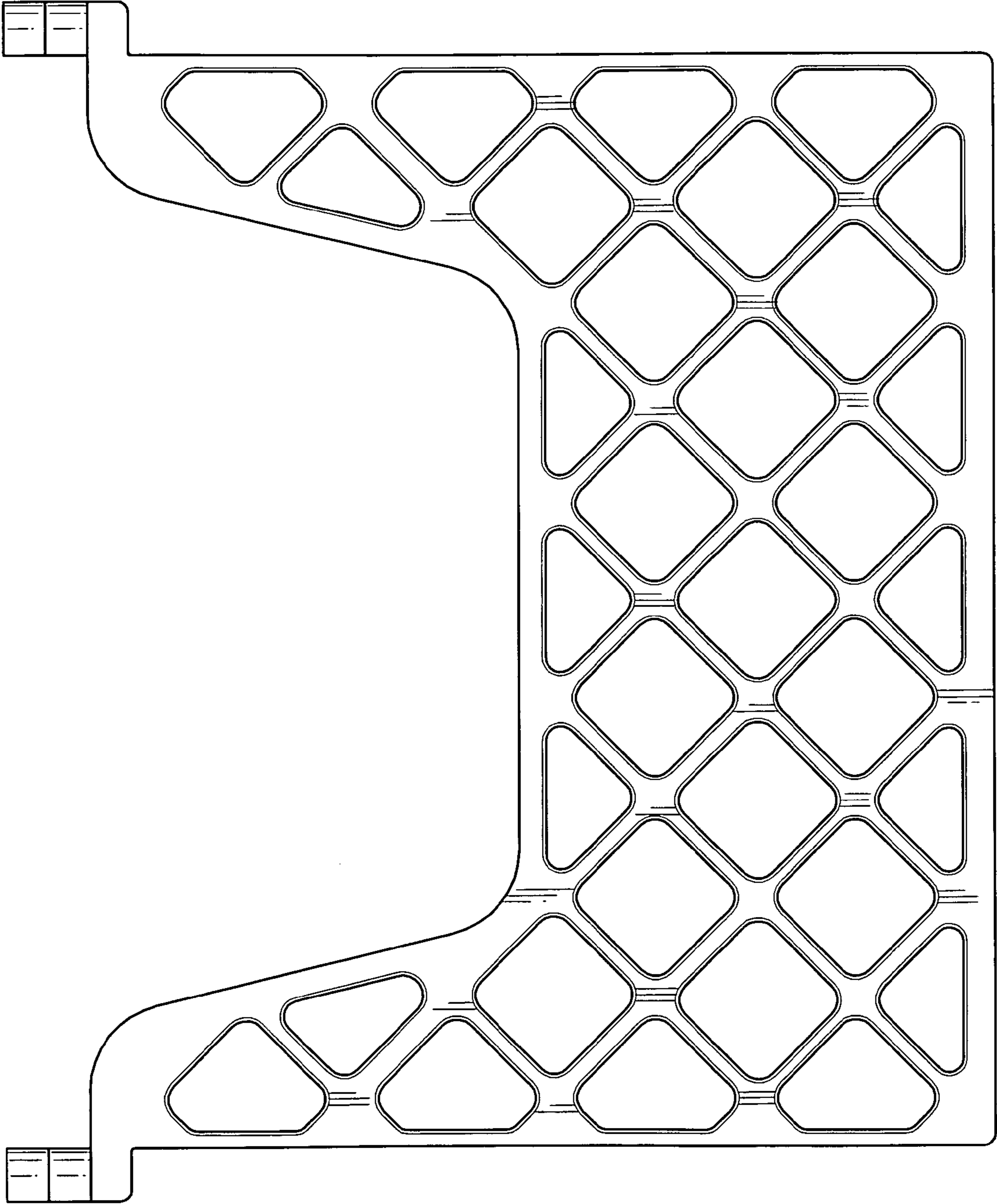


FIG. 3

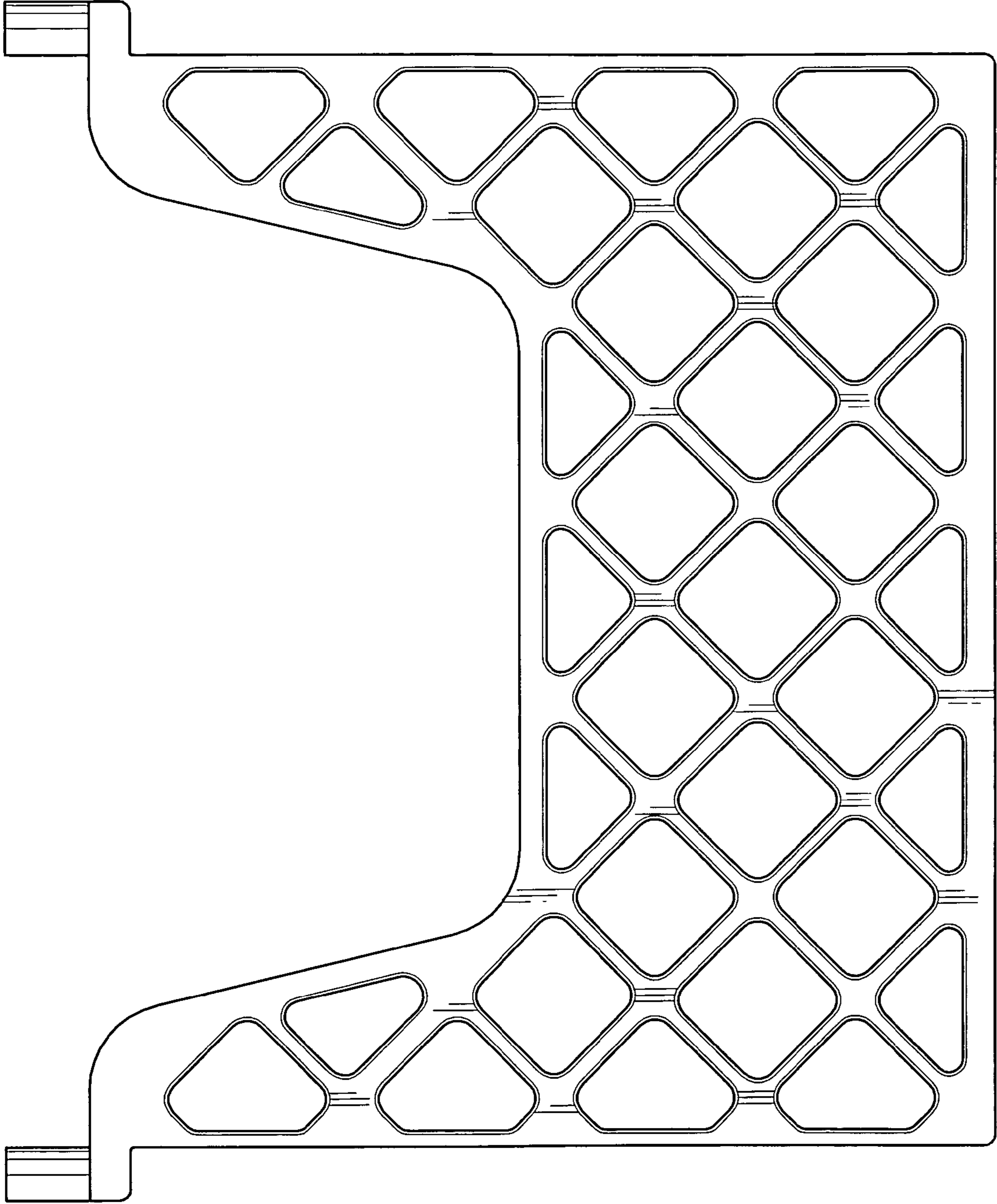


FIG. 4

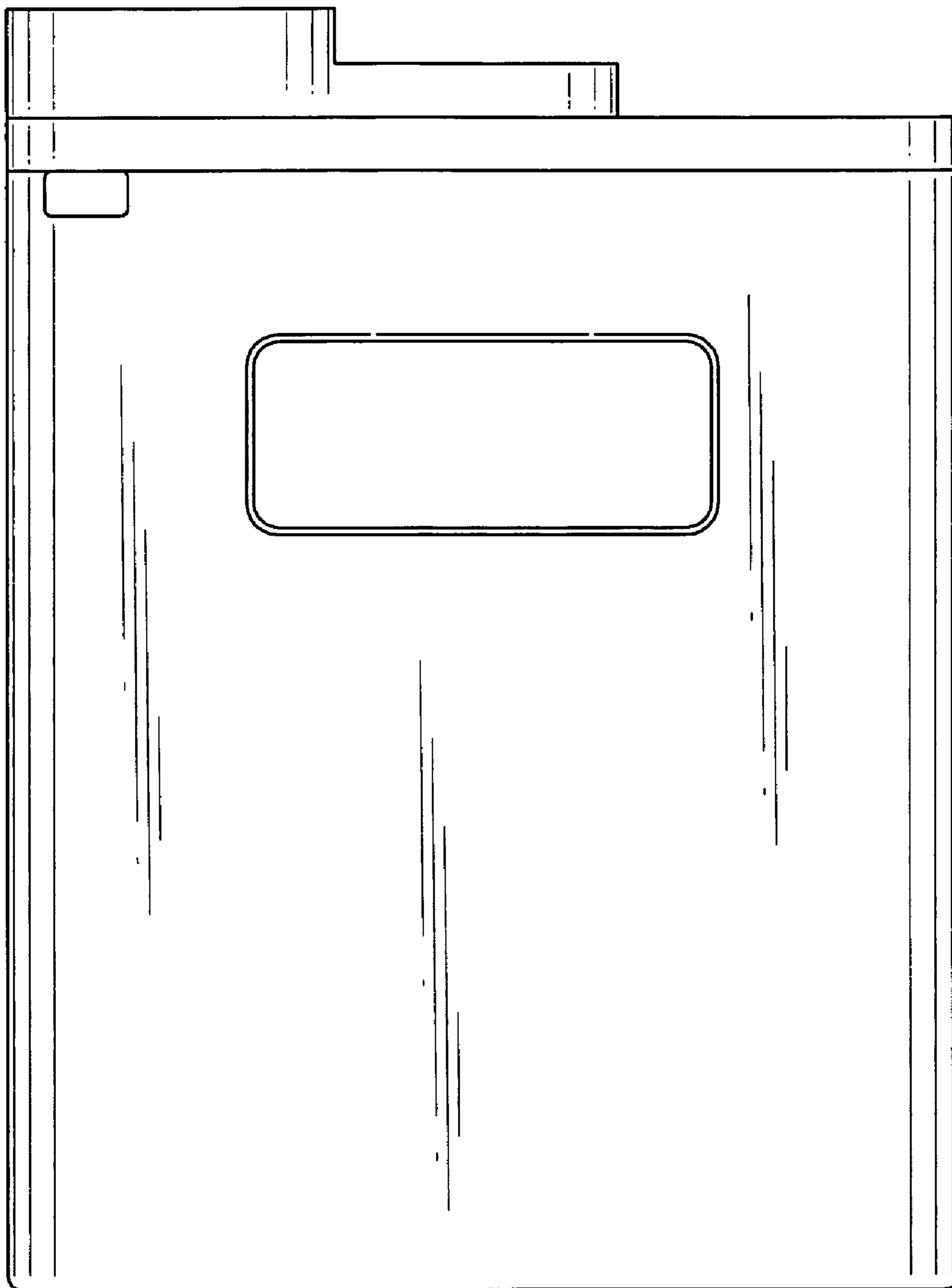


FIG. 5

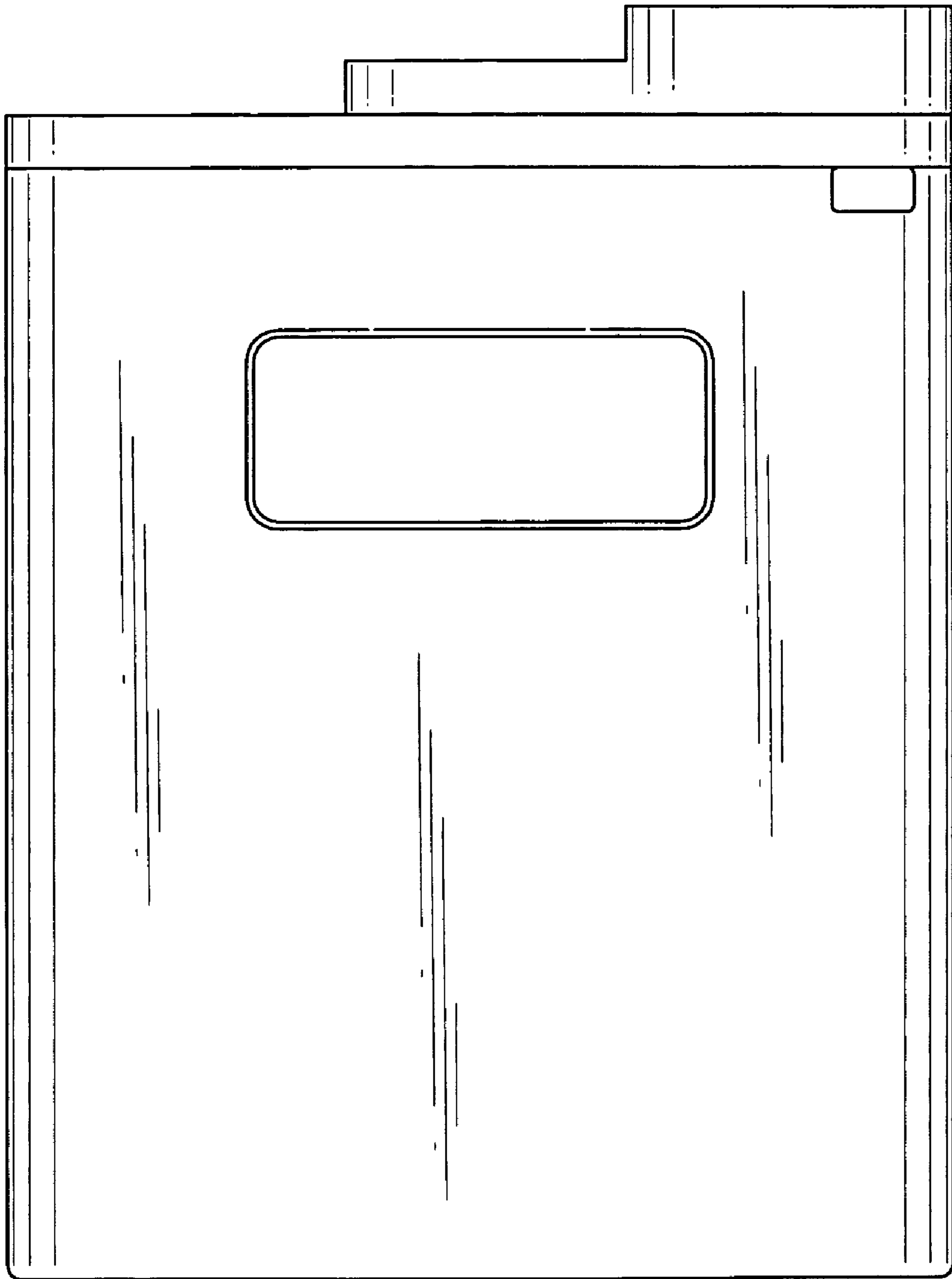


FIG. 6

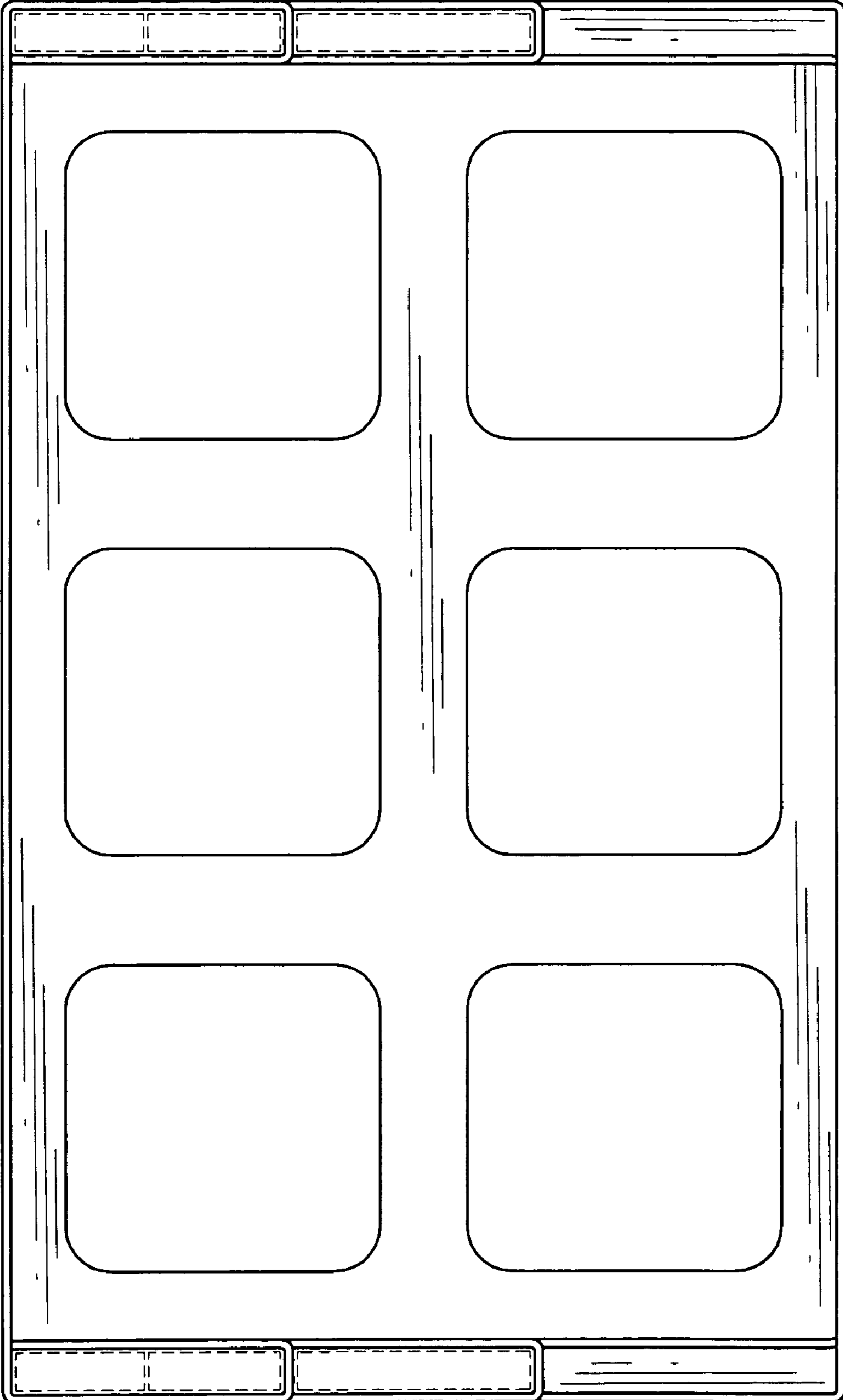


FIG. 7

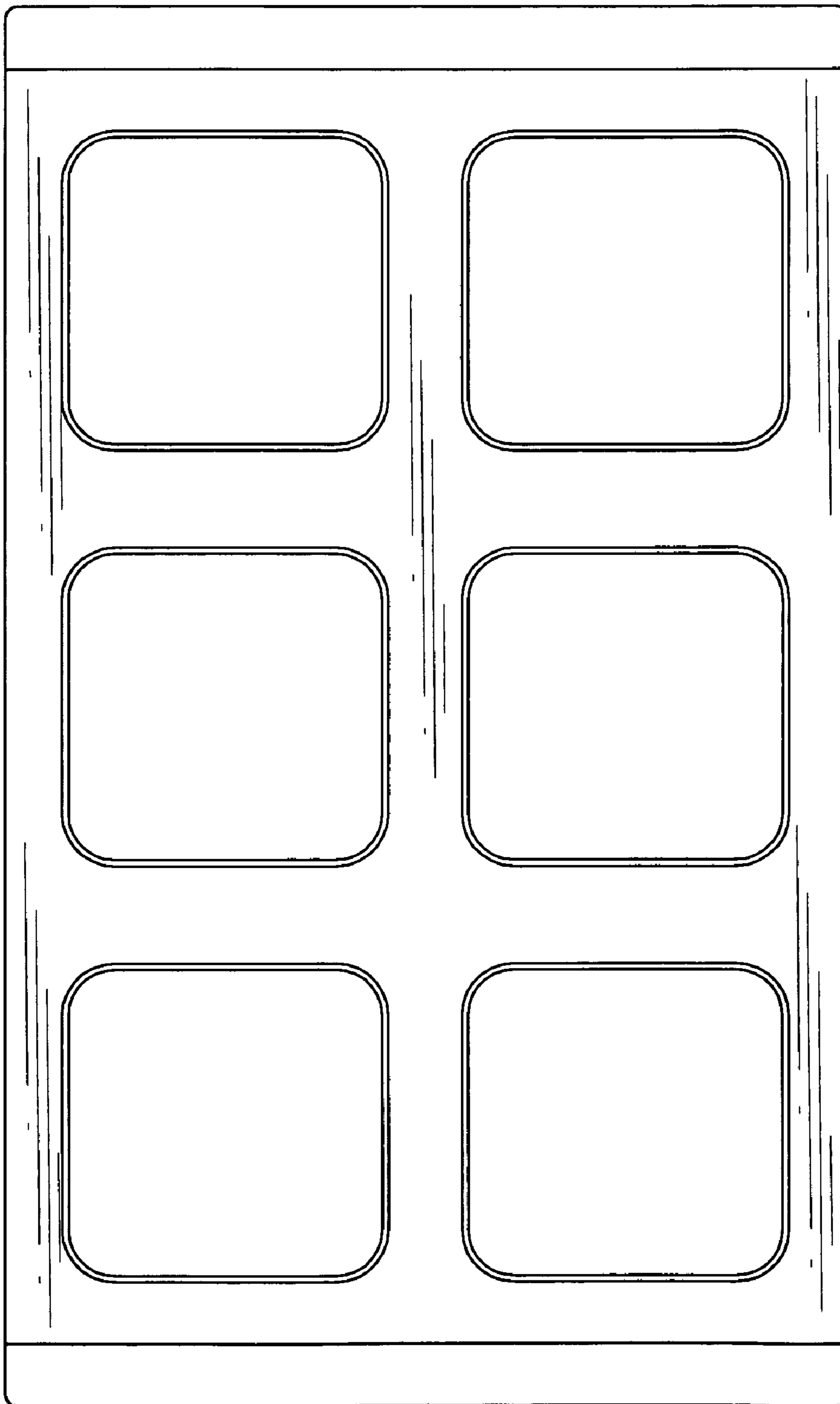


FIG. 8