



US00D604768S

(12) **United States Design Patent**
Andoh et al.

(10) **Patent No.:** **US D604,768 S**

(45) **Date of Patent:** **** Nov. 24, 2009**

(54) **MARKER HOLDER**

(75) Inventors: **Toshikazu Andoh**, Osaka (JP);
Kazuhiro Kawauchi, Shijonawate (JP)

(73) Assignee: **Sakura Color Products Corporation**
(JP)

(**) Term: **14 Years**

(21) Appl. No.: **29/310,397**

(22) Filed: **Aug. 13, 2008**

(30) **Foreign Application Priority Data**

Apr. 18, 2008 (JP) 2008-010092

(51) **LOC (9) Cl.** **19-06**

(52) **U.S. Cl.** **D19/54**

(58) **Field of Classification Search** D19/35,
D19/36, 41, 42, 43, 44, 45, 46, 47, 48, 49,
D19/50, 51, 54, 55, 56, 57; D26/37, 51;
D27/146; 24/11 F, 11 P, 11 R; 362/118;
401/6, 52, 83, 84, 99, 100, 104, 405, 106,
401/107, 108, 109, 192, 195

See application file for complete search history.

(56) **References Cited**

U.S. PATENT DOCUMENTS

172,867 A * 2/1876 Cleveland 401/83
386,891 A * 7/1888 Mussinan, Jr. 401/83
D160,670 S * 10/1950 Stern D11/201
2,803,219 A * 8/1957 Stoeberl 401/112
3,071,112 A * 1/1963 Lovejoy et al. 401/106
4,826,341 A * 5/1989 Kwak 401/280
D303,992 S * 10/1989 Grotsch D19/53
5,048,989 A * 9/1991 Stageman 401/83
D322,282 S * 12/1991 Mishima D19/53
D335,893 S * 5/1993 Hu D19/43

5,577,850 A * 11/1996 Mishima 401/83
D378,762 S * 4/1997 Kikuchi et al. D19/51
D386,526 S * 11/1997 Ito D19/53
D408,450 S * 4/1999 Kamei D19/55
5,941,650 A * 8/1999 Fukai et al. 401/202
6,123,476 A * 9/2000 Rosenthal 401/51
D461,204 S * 8/2002 Klefbom D19/36
D482,397 S * 11/2003 Hui D19/43
D497,640 S * 10/2004 Qiu D19/43
D500,790 S * 1/2005 Jaakkola D19/43
D507,600 S * 7/2005 Metaxatos et al. D19/57
D576,212 S * 9/2008 Qui et al. D19/47

* cited by examiner

Primary Examiner—Elizabeth A Albert

Assistant Examiner—Karen E Eldridge Powers

(74) *Attorney, Agent, or Firm*—Wood, Phillips, Katz, Clark & Mortimer

(57) **CLAIM**

The ornamental design for a marker holder, as shown and described.

DESCRIPTION

FIG. 1 is bottom, rear and right side perspective view of our marker holder design;

FIG. 2 is a rear elevation view thereof;

FIG. 3 is a front elevation view thereof;

FIG. 4 is a left side elevation view thereof;

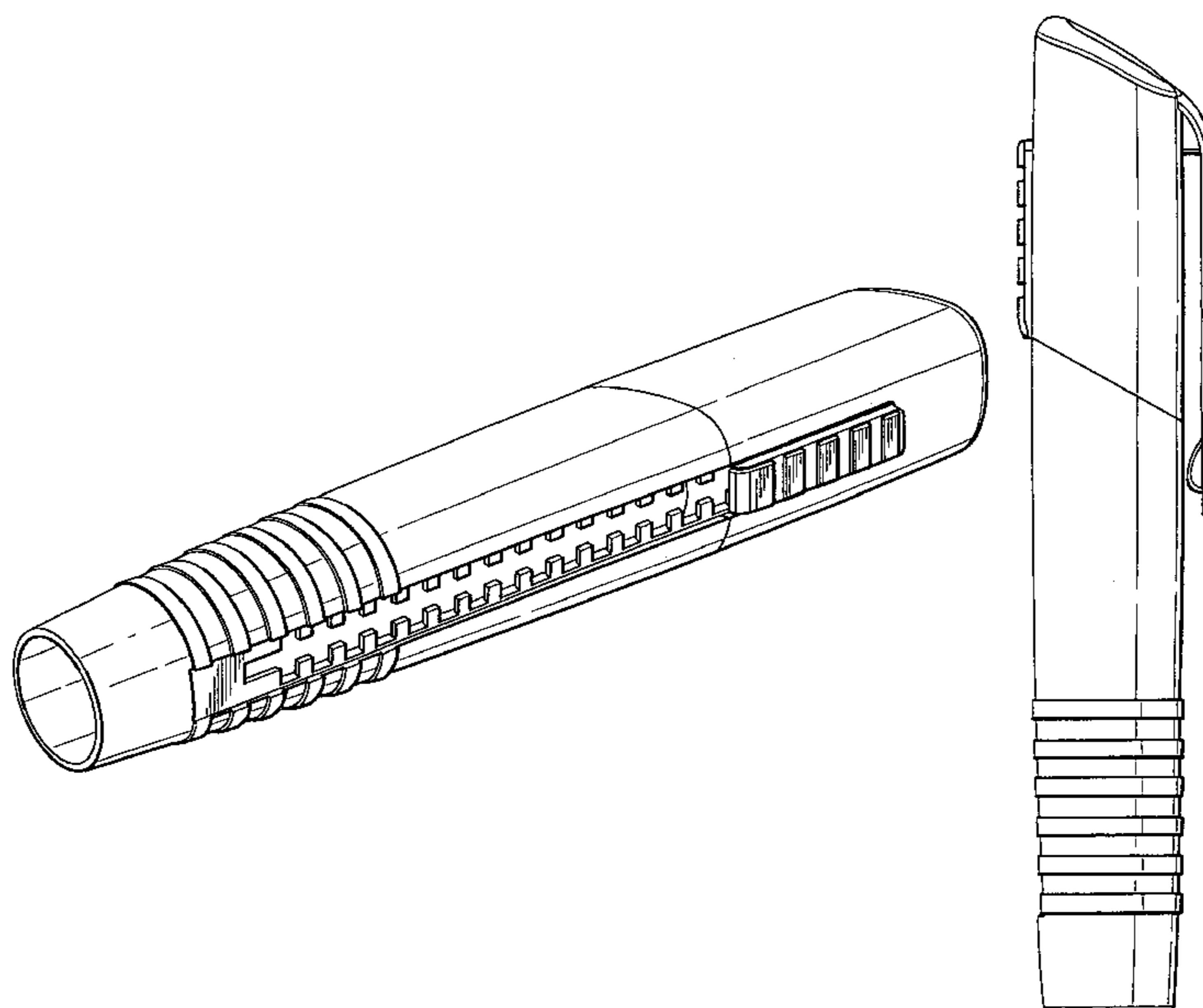
FIG. 5 is a top view thereof; and,

FIG. 6 is a bottom view thereof.

The right side elevation view is a mirror image of the left side elevation view in FIG. 4.

The broken line shown in FIG. 6, which defines the bounds of the claimed design, forms no part thereof.

1 Claim, 3 Drawing Sheets



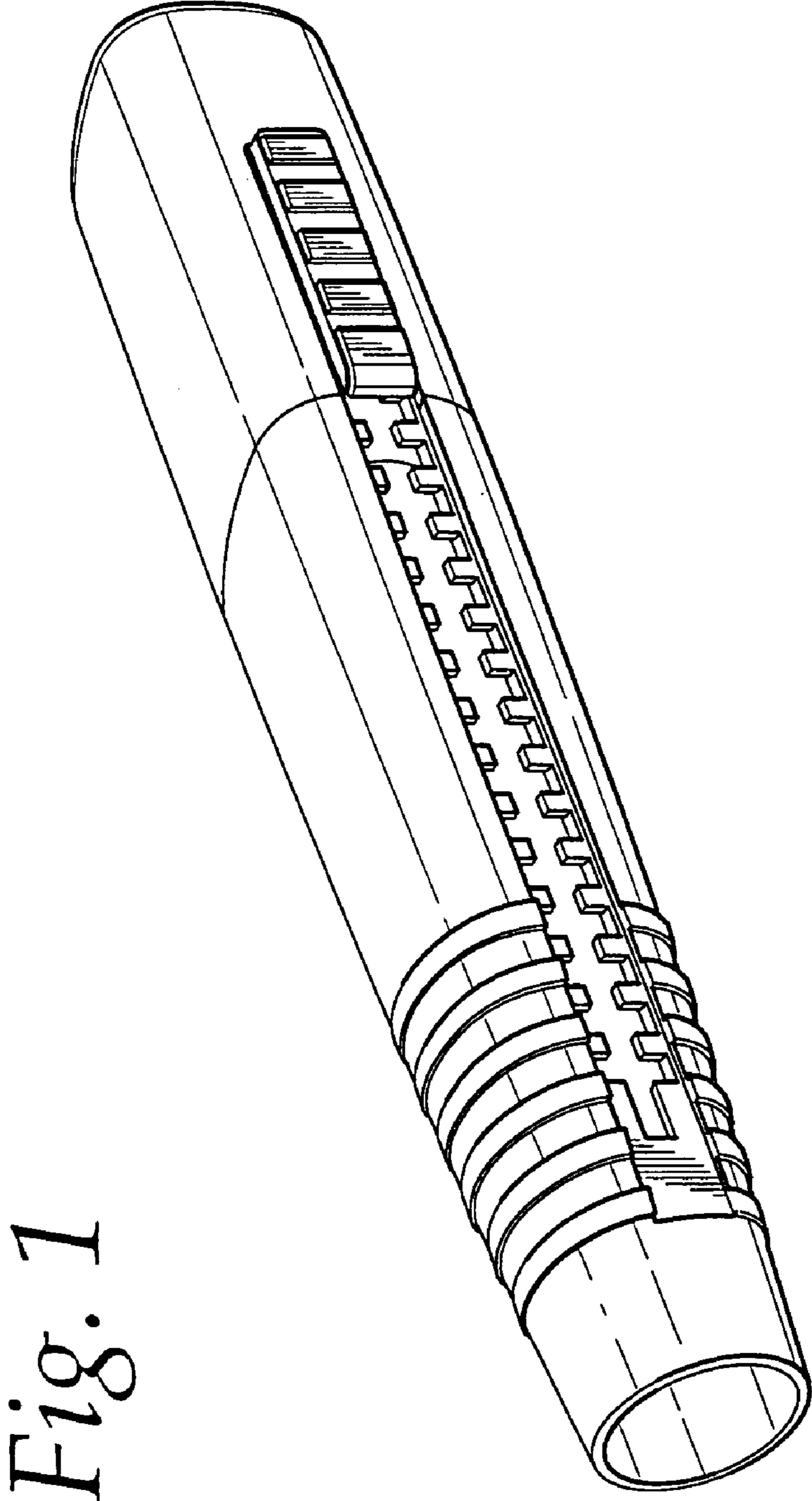


Fig. 1

Fig. 2

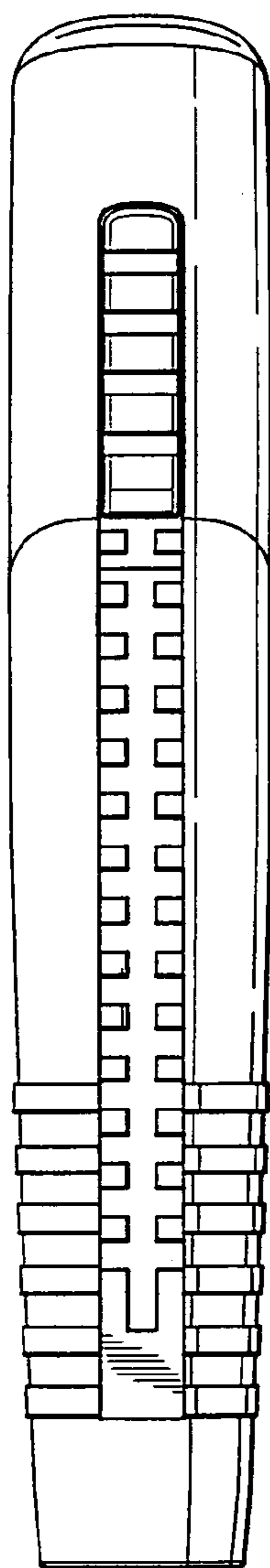


Fig. 3

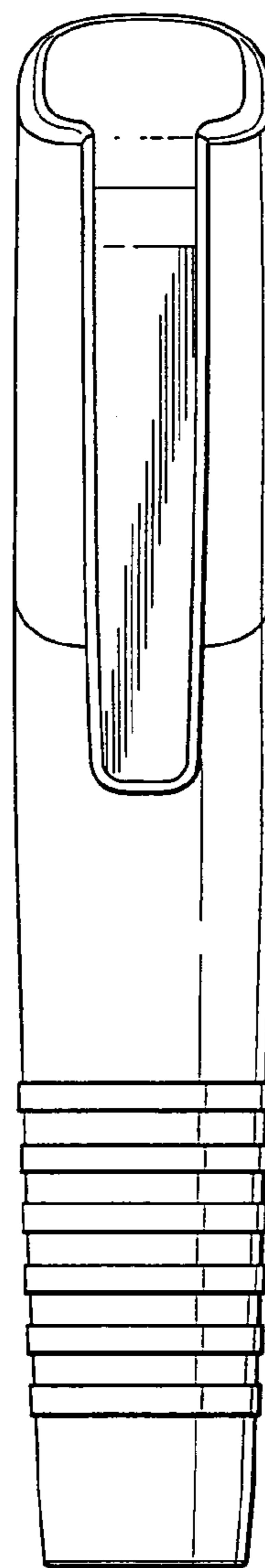


Fig. 4

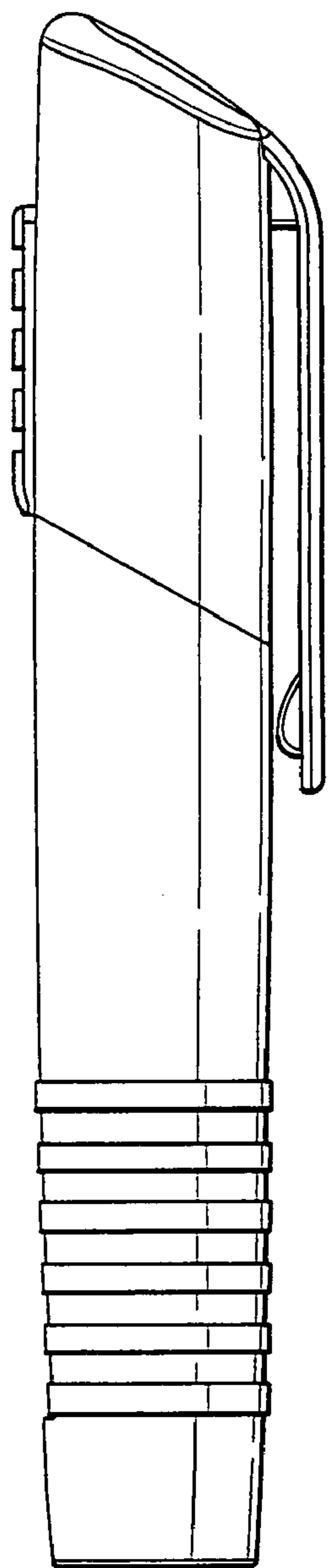


Fig. 5

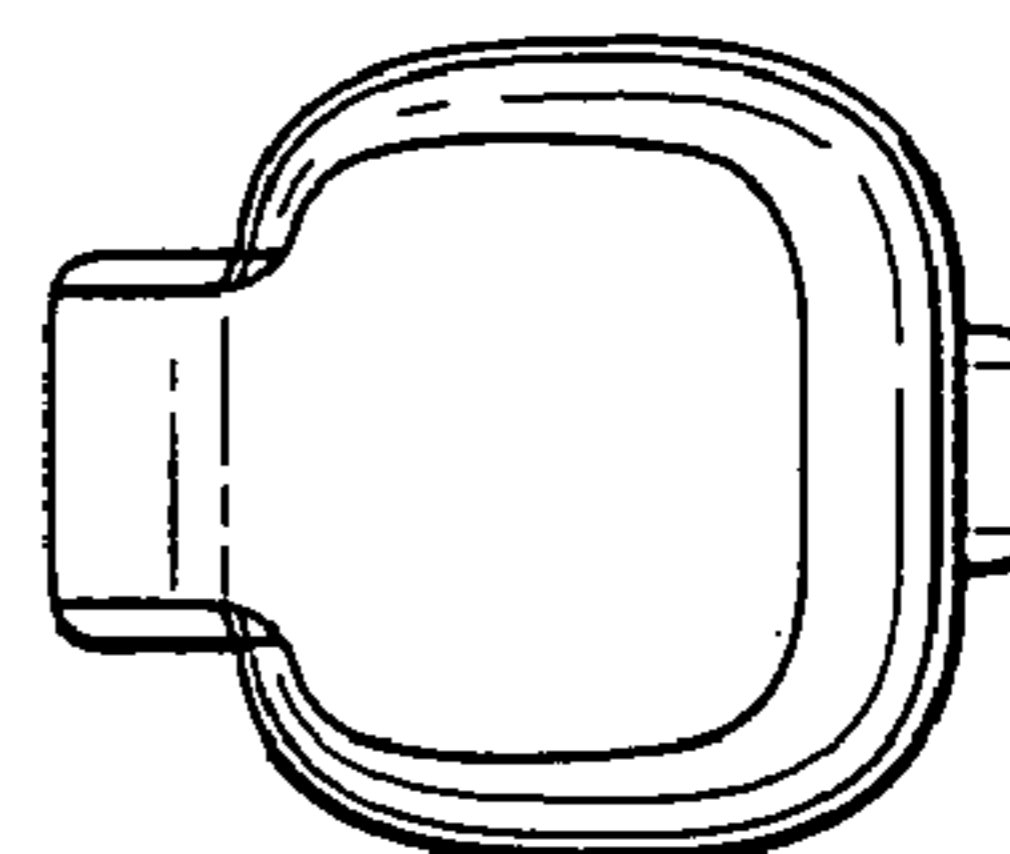


Fig. 6

