



US00D604767S

(12) **United States Design Patent**  
**Hung**

(10) **Patent No.:** **US D604,767 S**

(45) **Date of Patent:** **\*\* Nov. 24, 2009**

(54) **MARKER**

(75) Inventor: **Peter M. H. Hung**, Kowloon (HK)

(73) Assignee: **Fulon Development Limited**, Kowloon (HK)

(\*\*) Term: **14 Years**

(21) Appl. No.: **29/321,008**

(22) Filed: **Jul. 9, 2008**

(51) **LOC (9) Cl.** ..... **19-06**

(52) **U.S. Cl.** ..... **D19/43**

(58) **Field of Classification Search** ..... D73/515,  
D73/604, 613, 619.2, 901; D19/35, 36, 41,  
D19/42, 43, 44, 45, 46, 47, 48, 49, 50, 51,  
D19/52, 53, 54, 55, 56, 57; 24/11 F, 11 P,  
24/11 R; 401/6, 52, 99, 100, 104, 105, 106,  
401/107, 108, 109, 192, 195, 243, 244, 245,  
401/246, 247; 708/107

See application file for complete search history.

(56) **References Cited**

**U.S. PATENT DOCUMENTS**

|               |         |               |       |         |
|---------------|---------|---------------|-------|---------|
| D25,565 S *   | 6/1896  | Kaiser        | ..... | D19/49  |
| D25,606 S *   | 6/1896  | Kaiser        | ..... | D19/49  |
| D25,700 S *   | 6/1896  | Kaiser        | ..... | D19/49  |
| 1,117,475 A * | 11/1914 | Berggren      | ..... | 33/41.3 |
| D130,051 S *  | 10/1941 | Weissenborn   | ..... | D19/58  |
| 2,741,028 A * | 4/1956  | Carter        | ..... | 30/329  |
| D271,049 S *  | 10/1983 | Du Cret       | ..... | D28/7   |
| D299,471 S *  | 1/1989  | Carver et al. | ..... | D19/49  |
| D462,989 S *  | 9/2002  | Hung          | ..... | D19/43  |
| D482,066 S *  | 11/2003 | Hung          | ..... | D19/43  |
| D485,298 S *  | 1/2004  | Hung          | ..... | D19/43  |
| D502,215 S *  | 2/2005  | Hung          | ..... | D19/36  |
| D502,217 S *  | 2/2005  | Hung          | ..... | D19/43  |
| D532,315 S *  | 11/2006 | Moutinho      | ..... | D9/725  |

|              |        |            |       |        |
|--------------|--------|------------|-------|--------|
| D546,388 S * | 7/2007 | Hung       | ..... | D19/43 |
| D550,772 S * | 9/2007 | Geddes     | ..... | D19/53 |
| D573,183 S * | 7/2008 | Qiu et al. | ..... | D19/36 |
| D584,357 S * | 1/2009 | Oka        | ..... | D19/57 |
| D586,856 S * | 2/2009 | Yagyu      | ..... | D19/57 |

**FOREIGN PATENT DOCUMENTS**

|    |            |          |
|----|------------|----------|
| AU | 311613 S * | 11/2006  |
| GB | 2053853    | * 5/1996 |
| WO | DM/052601  | * 7/2000 |

\* cited by examiner

*Primary Examiner*—Elizabeth A Albert  
*Assistant Examiner*—Karen E Eldridge Powers  
(74) *Attorney, Agent, or Firm*—Rabin & Berdo, P.C.

(57) **CLAIM**

The ornamental design for a marker, as shown and described.

**DESCRIPTION**

FIG. 1 is a front perspective view of a marker showing my new design;

FIG. 2 is a front perspective view with cap separated thereof;

FIG. 3 is a front view thereof;

FIG. 4 is a left side view thereof;

FIG. 5 is a right side view thereof;

FIG. 6 is a rear view thereof;

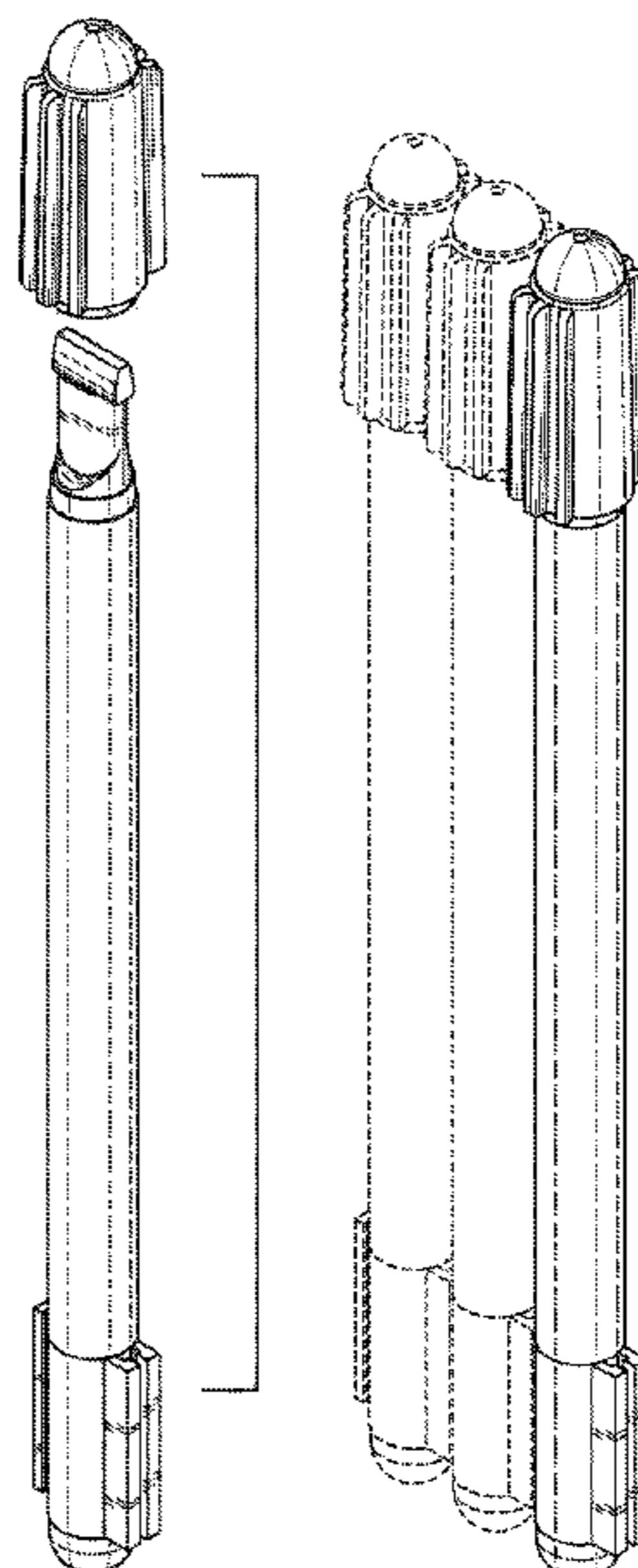
FIG. 7 is a top end view thereof;

FIG. 8 is a bottom end view thereof; and,

FIG. 9 is a front perspective view showing a marker in a connected condition.

The two markers shown in broken lines are environmental matter and form no part of the claimed design.

**1 Claim, 3 Drawing Sheets**



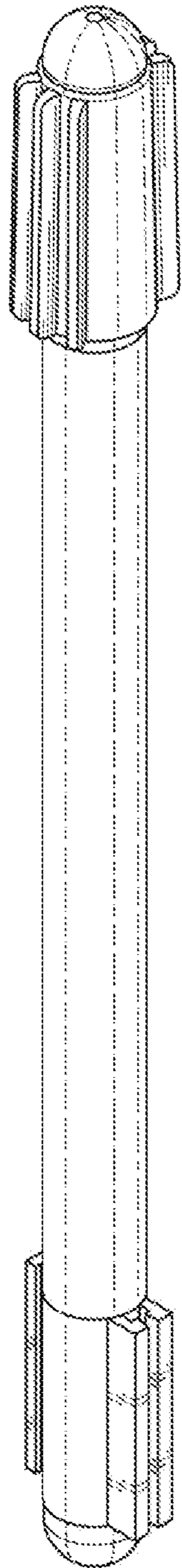


FIG. 1

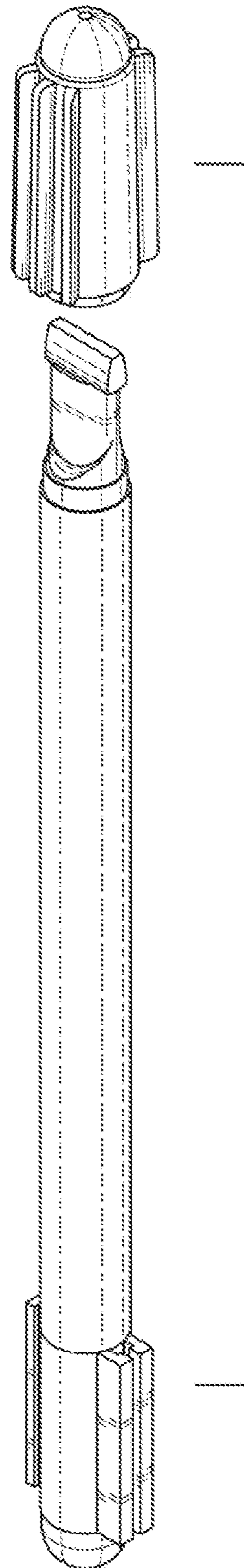


FIG. 2

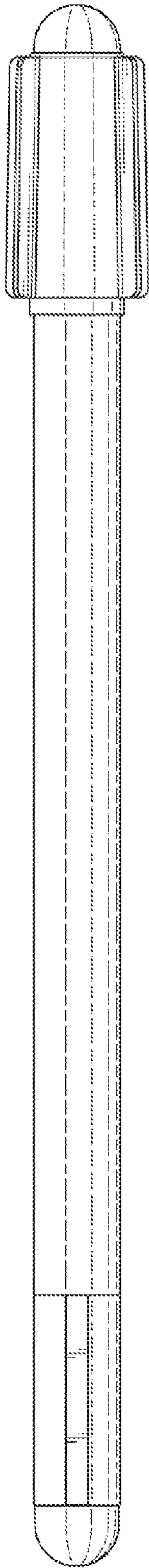


FIG. 4

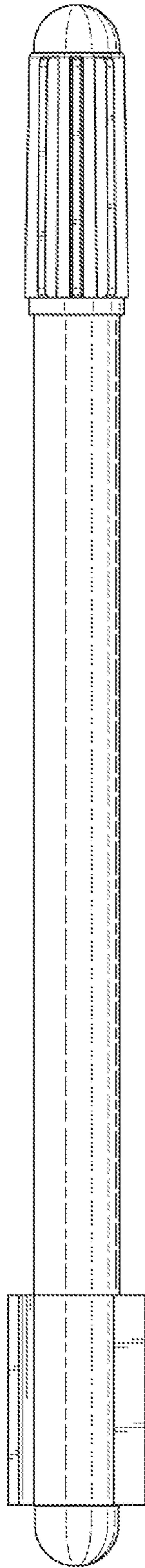


FIG. 3

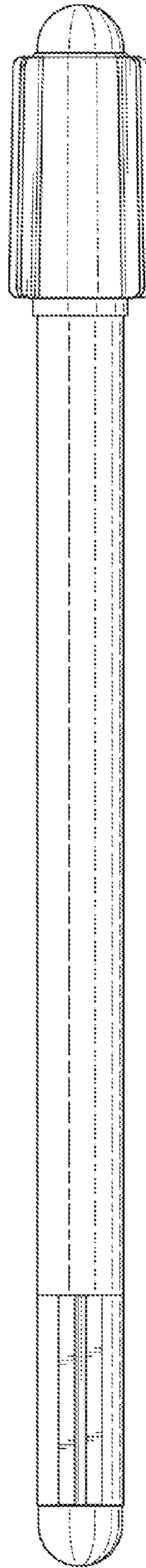


FIG. 5

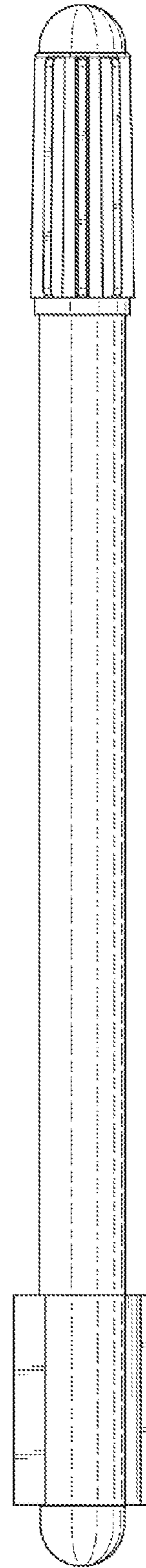


FIG. 6

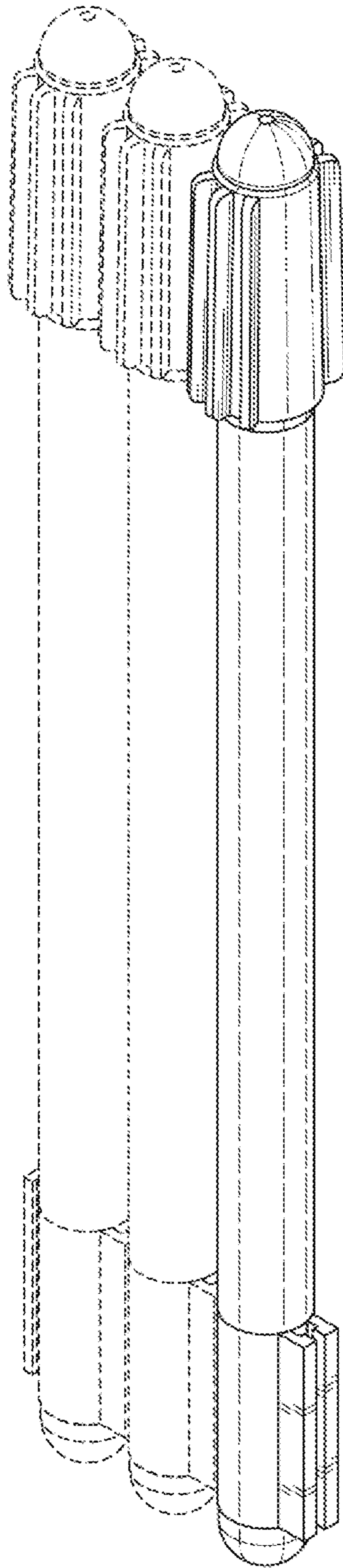


FIG. 9

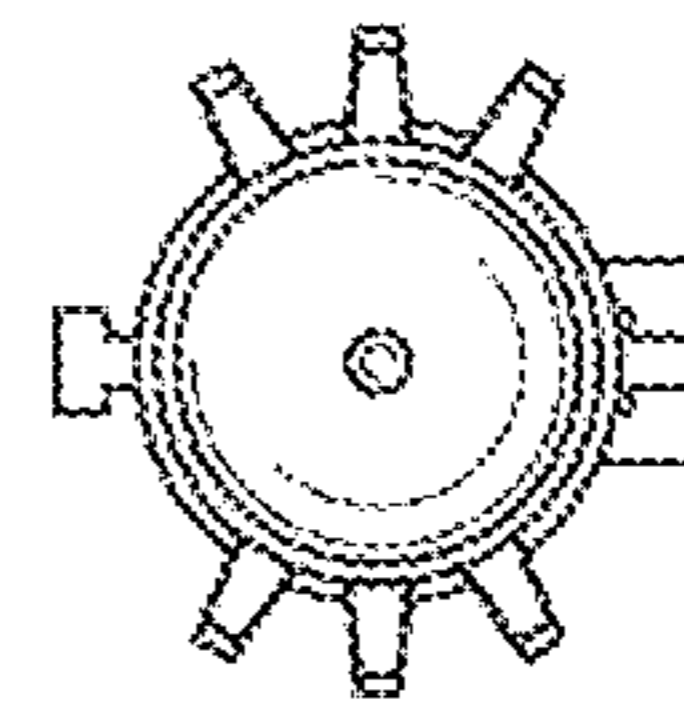


FIG. 7

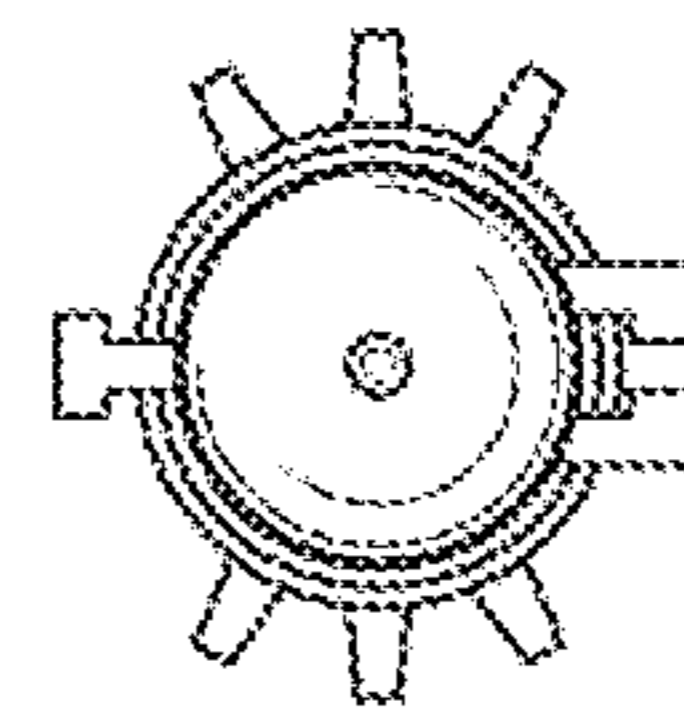


FIG. 8