



US00D604765S

(12) **United States Design Patent**
Glesser et al.

(10) **Patent No.:** **US D604,765 S**

(45) **Date of Patent:** **** Nov. 24, 2009**

(54) **WRITING INSTRUMENT WITH ROTATABLE HANDLES**

(76) Inventors: **Louis S. Glesser**, 164 Aspen La.,
Evergreen, CO (US) 80439; **Eric G. Glesser**, 1250 Golden Cir., #508,
Golden, CO (US) 80401

(**) Term: **14 Years**

(21) Appl. No.: **29/317,170**

(22) Filed: **Apr. 23, 2008**

(51) **LOC (9) Cl.** **19-06**

(52) **U.S. Cl.** **D19/41**

(58) **Field of Classification Search** D19/35,
D19/36, 41-51, 53-57; 24/11 R, 11 F, 11 P;
401/52, 99, 100, 104-109, 192, 195, 196;
D14/411, 431; 178/19.04

See application file for complete search history.

(56) **References Cited**

U.S. PATENT DOCUMENTS

3,257,991	A *	6/1966	Mosch	401/29
3,618,518	A *	11/1971	Rigoni	101/263
4,149,812	A	4/1979	Huffman, Jr.		
4,261,103	A	4/1981	Heck		
4,364,174	A	12/1982	De Asis		
4,549,827	A *	10/1985	Mack	401/29
D289,368	S	4/1987	Mann		
4,738,558	A	4/1988	Hikomori		
5,061,104	A	10/1991	Florjancic		
D389,185	S	1/1998	O'Mara et al.		
D420,702	S	2/2000	Chang		
6,170,158	B1	1/2001	Daily		
6,195,898	B1	3/2001	Lemisch		
6,331,087	B1	12/2001	Wang		
6,464,419	B1	10/2002	Chan		
D467,279	S *	12/2002	Pellissa Beneyto	D19/43
D469,806	S *	2/2003	Chan	D19/46
D487,494	S	3/2004	Glesser		
D526,682	S	8/2006	Ortiz et al.		
D534,212	S	12/2006	Chan		
D567,851	S *	4/2008	Uchibayashi	D19/41
7,452,150	B2 *	11/2008	Chan	401/117
D585,936	S *	2/2009	Nakazawa	D19/41

OTHER PUBLICATIONS

“Kershaw or Spyderco ?? One of a Kind ~1600 Combo Serr”, eBay website, Item No. 6587650374, printed Dec. 13, 2005, pp. 1-5.
Skipper Martin et al., Ape Entertainment Forums: My strange brain and the amazing “Bizarre Pen.”, Ape Entertainment Forums, available at http://www.ape-entertainment.com/cgi-bin/ultimatebb.cgi?ubb=get_topic;f=81;t=000002;p=1#000000, Mar. 24, 2007, pp. 1-5.

* cited by examiner

Primary Examiner—Elizabeth A Albert

(74) *Attorney, Agent, or Firm*—Sheridan Ross P.C.

(57) **CLAIM**

The ornamental design for a writing instrument with rotatable handles, as shown and described.

DESCRIPTION

FIG. 1 is a front perspective view of a writing instrument with rotatable handles, showing our new design, the broken lines representing environment and forming no part of the claimed design;

FIG. 2 is a front elevation view of the invention illustrated in FIG. 1, the broken lines representing environment and forming no part of the claimed design;

FIG. 3 is a rear elevation view of the invention illustrated in FIG. 1, the broken lines representing environment and forming no part of the claimed design;

FIG. 4 is a left elevation view of the invention illustrated in FIG. 1;

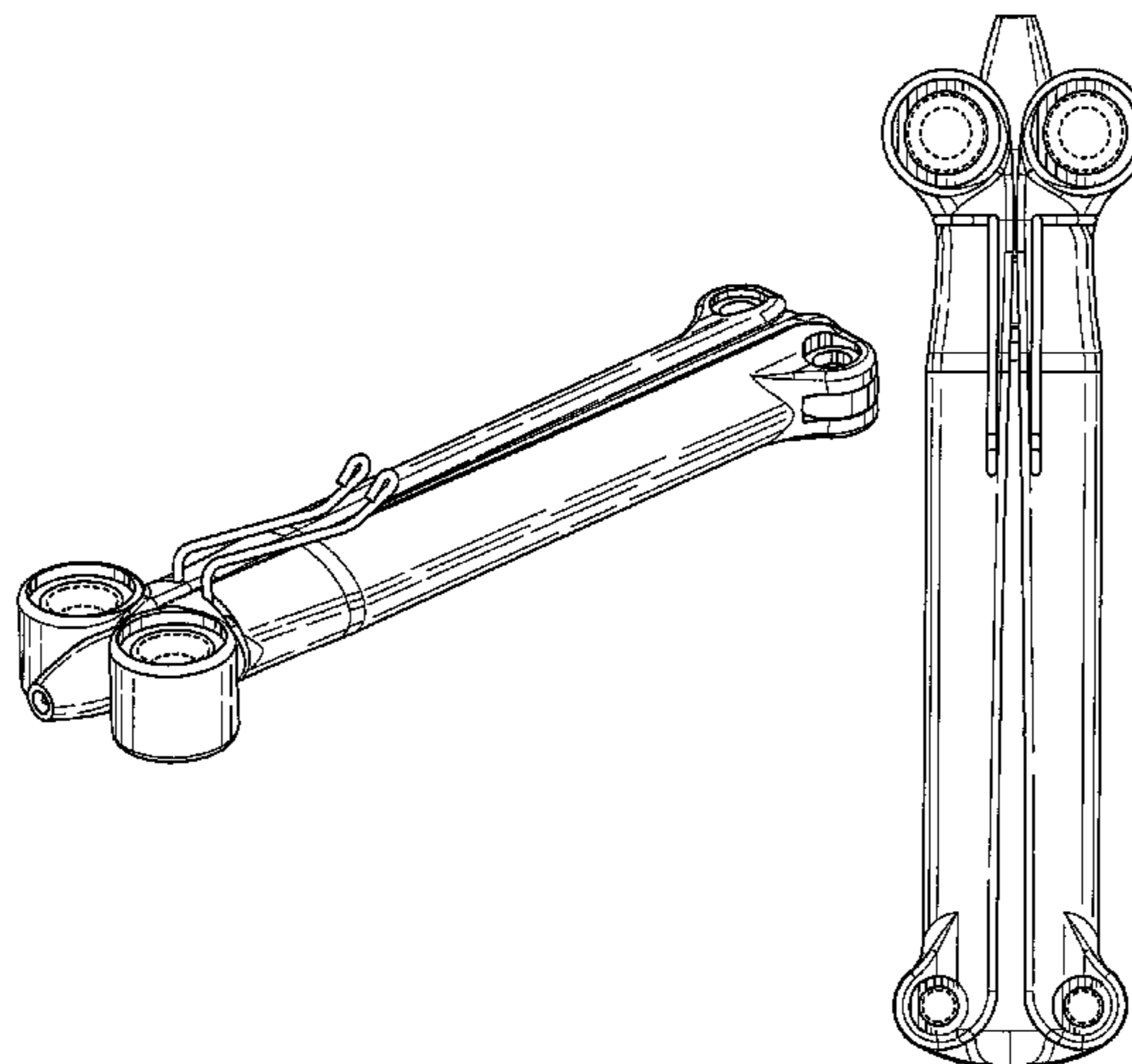
FIG. 5 is right elevation view of the invention illustrated in FIG. 1;

FIG. 6 is a top plan elevation view of the invention illustrated in FIG. 1;

FIG. 7 is a bottom plan view of the invention illustrated in FIG. 1; and,

FIG. 8 is a front elevation view of the invention illustrated in FIG. 1 showing our new writing instrument with the rotatable handles in a fully opened position, the broken lines representing environment and forming no part of the claimed design.

1 Claim, 4 Drawing Sheets



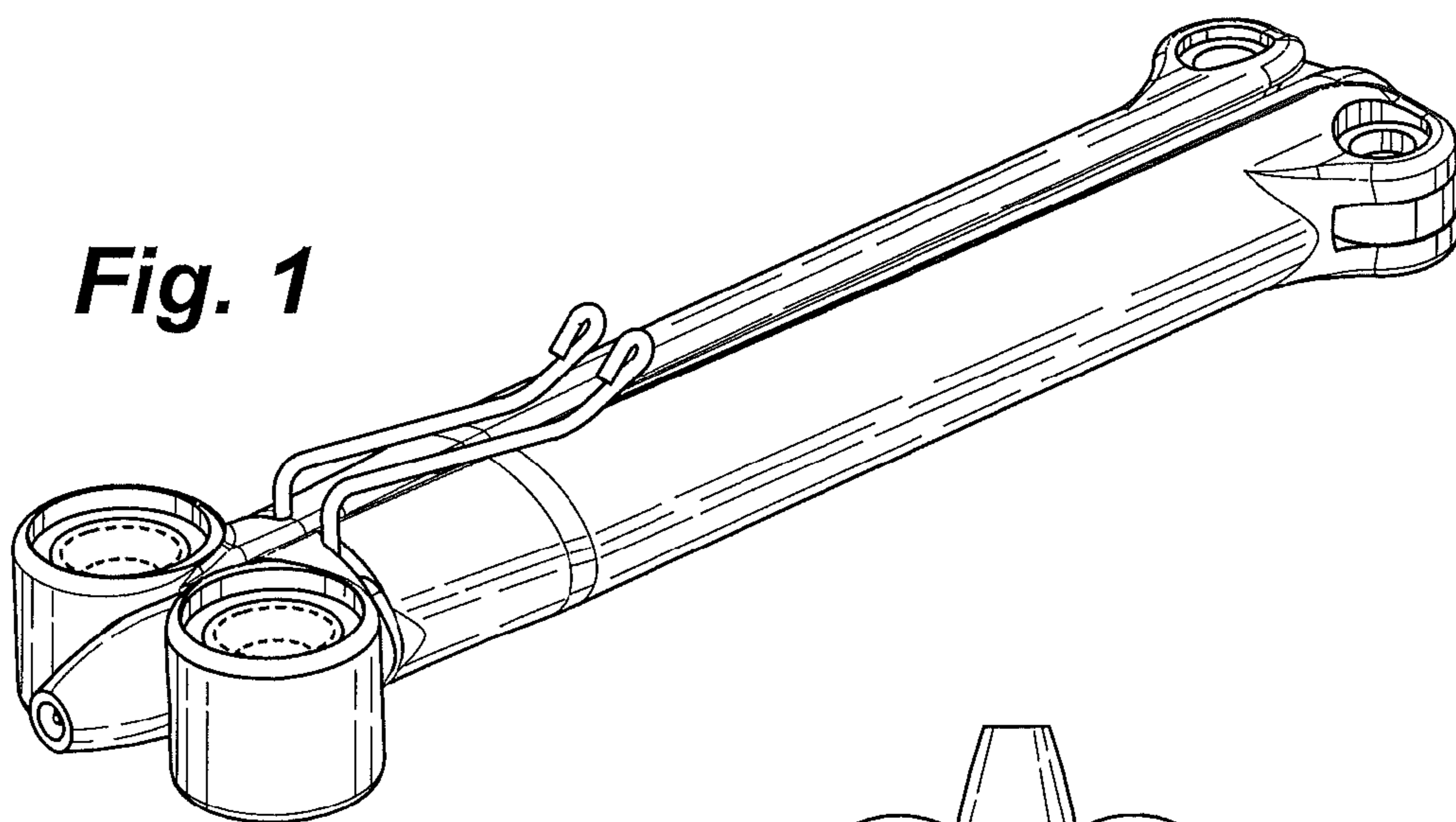


Fig. 1

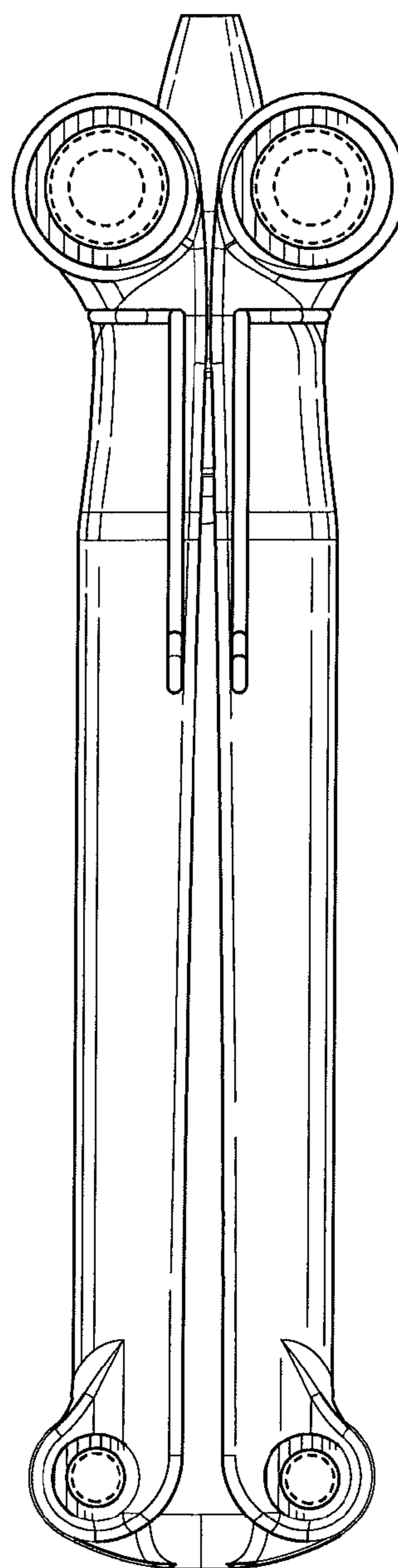


Fig. 2

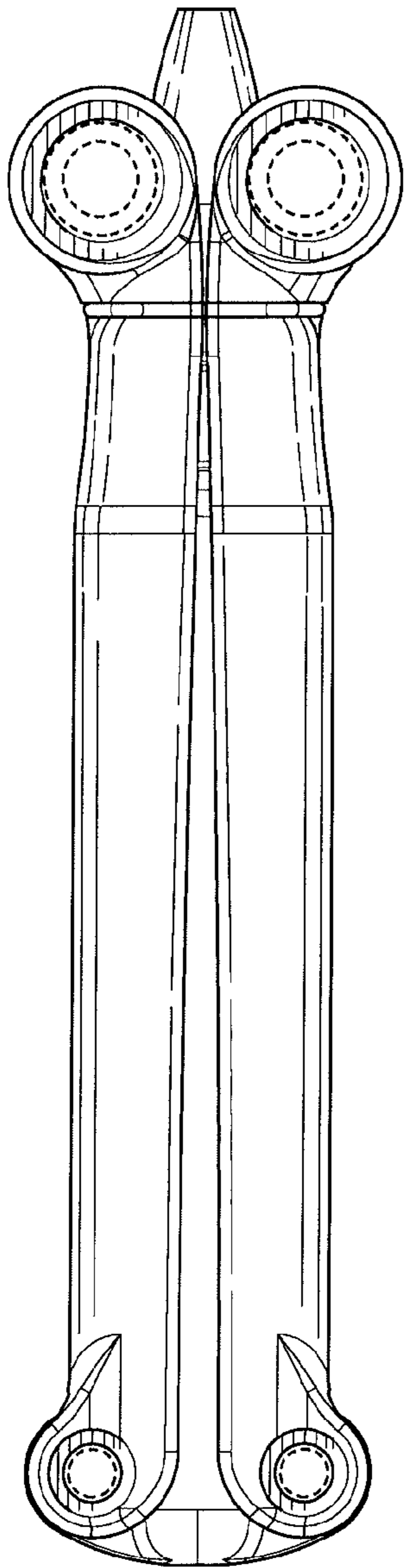


Fig. 3

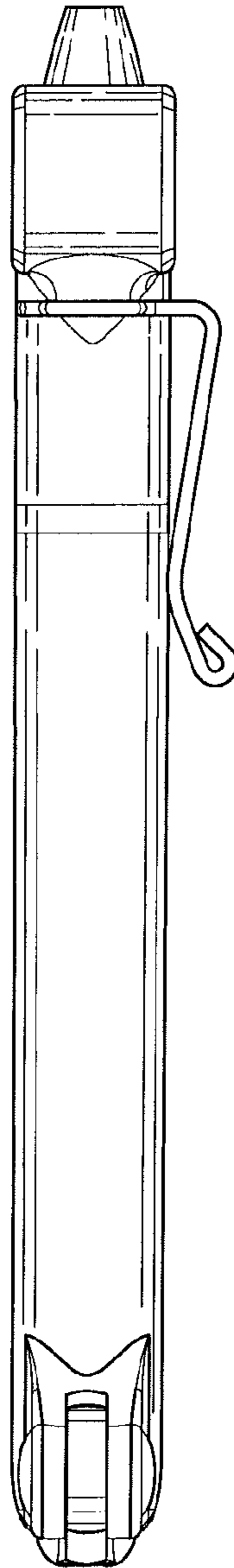


Fig. 4

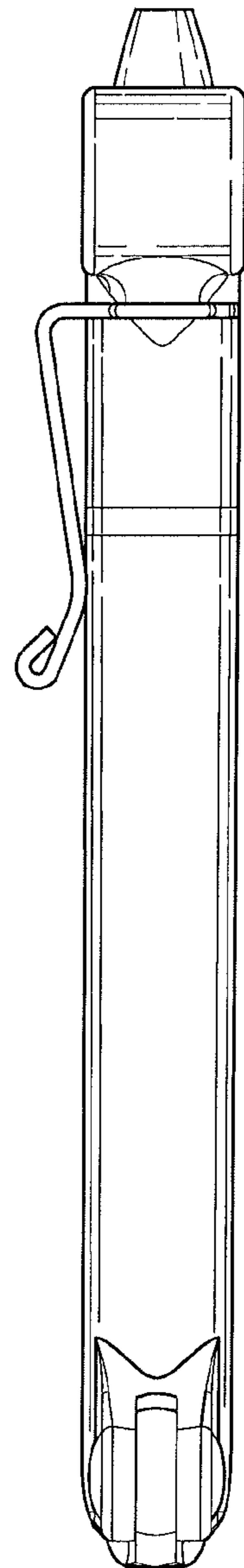


Fig. 5

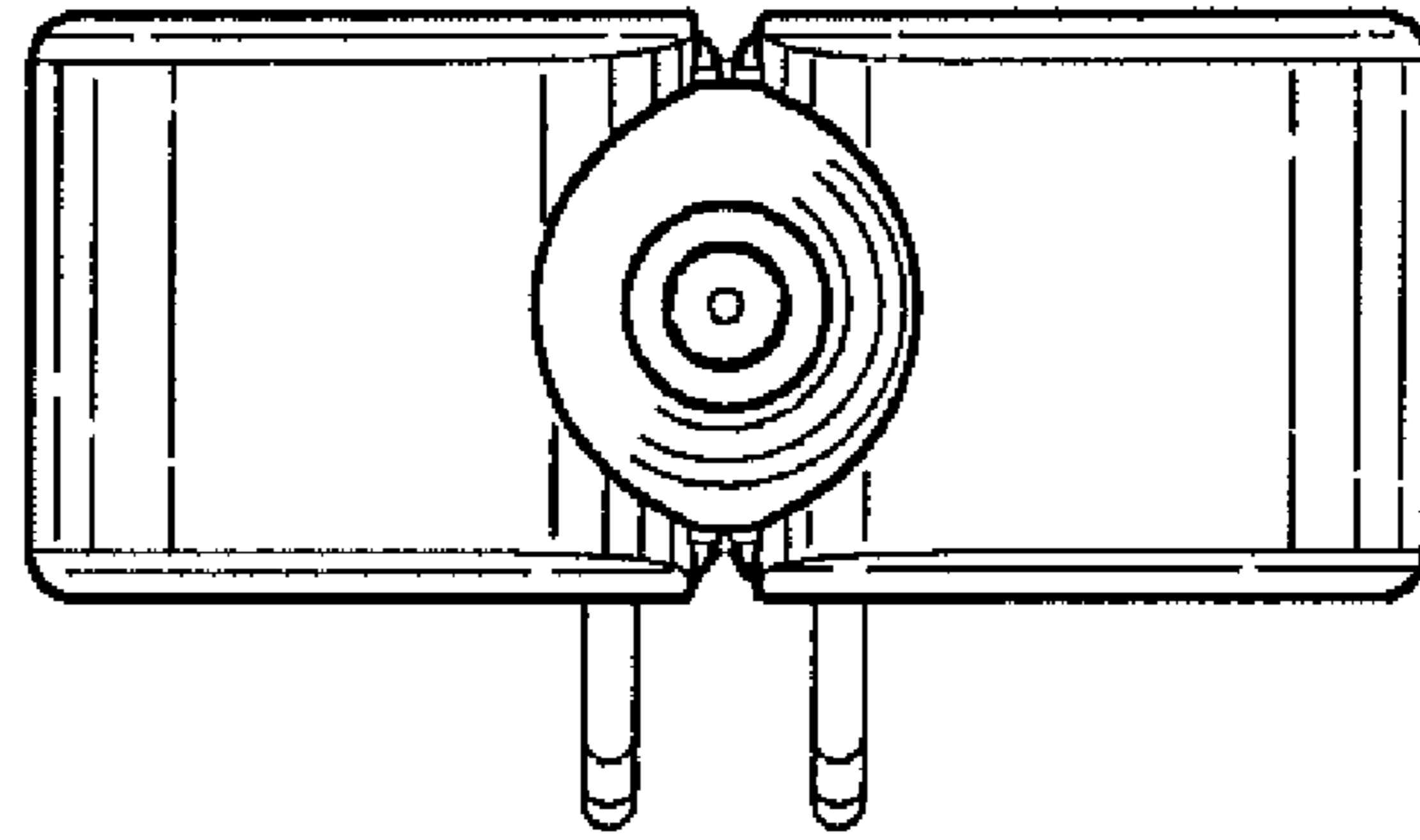


Fig. 6

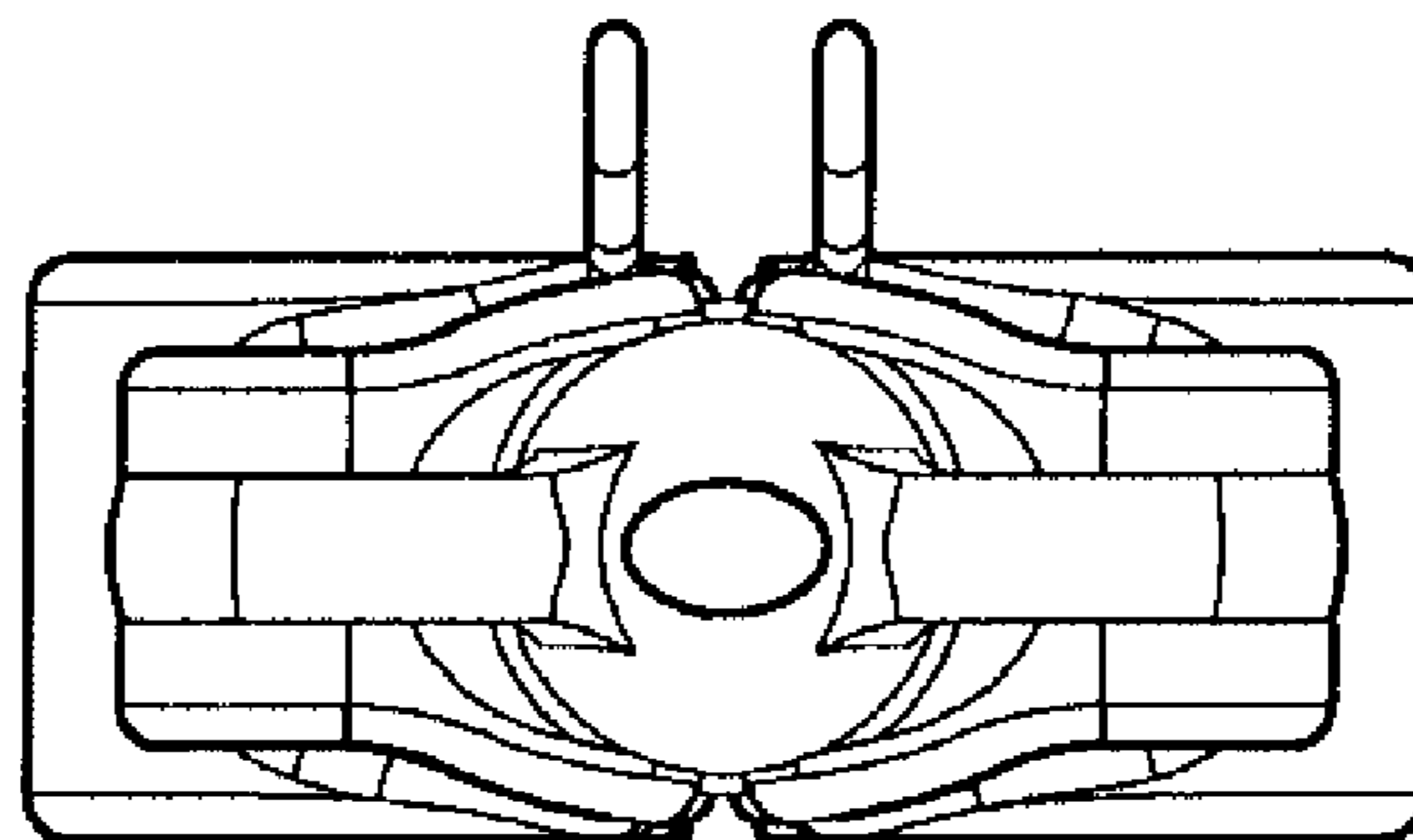


Fig. 7

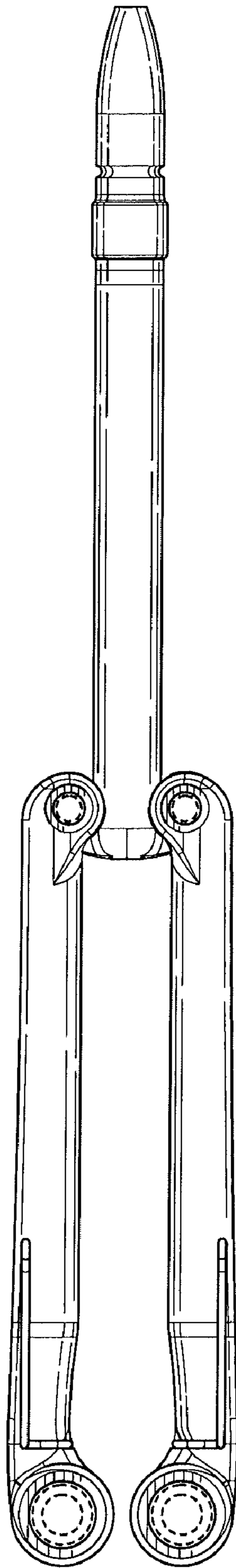


Fig. 8