



US00D604764S

(12) **United States Design Patent**  
**Velonis**

(10) **Patent No.:** **US D604,764 S**

(45) **Date of Patent:** **\*\* Nov. 24, 2009**

(54) **BOOKMARK**

(76) **Inventor:** **Barbara H. Velonis**, 4025 N. Meridian,  
Indianapolis, IN (US) 46208

(\*\*) **Term:** **14 Years**

(21) **Appl. No.:** **29/339,805**

(22) **Filed:** **Jul. 8, 2009**

(51) **LOC (9) Cl.** ..... **19-99**

(52) **U.S. Cl.** ..... **D19/34**

(58) **Field of Classification Search** ..... D19/1,  
D19/2, 34, 32, 65; D11/78.1, 223; D9/600;  
D3/253, 247; 116/238, 239, 240, 234, 235;  
24/67 R; 281/142; 40/124.01

See application file for complete search history.

(56) **References Cited**

**U.S. PATENT DOCUMENTS**

D242,703 S *	12/1976	Teetor	.....	D19/34
D263,243 S *	3/1982	Creamer	.....	D19/34
D341,159 S *	11/1993	Watson et al.	.....	D19/34
D365,363 S *	12/1995	Terino	.....	D19/34
D436,374 S *	1/2001	Mershon	.....	D19/34
6,205,947 B1 *	3/2001	Drew	.....	116/235
D449,648 S *	10/2001	Andler	.....	D19/34
D452,270 S *	12/2001	Mershon	.....	D19/36
D534,584 S *	1/2007	Goldberg et al.	.....	D19/34
D552,172 S *	10/2007	Mershon	.....	D19/34

D560,720 S *	1/2008	Madden	.....	D19/34
D580,988 S *	11/2008	Regala	.....	D19/81
D595,349 S *	6/2009	Tartaglia	.....	D19/34

\* cited by examiner

*Primary Examiner*—Cathron C Brooks

*Assistant Examiner*—Austin Murphy

(74) *Attorney, Agent, or Firm*—Woodard, Emhardt, Moriarty,  
McNett & Henry LLP

(57) **CLAIM**

The ornamental design for a bookmark, as shown and described.

**DESCRIPTION**

FIG. 1 is a front end elevational view of a bookmark showing my new design;

FIG. 2 is a top plan view thereof;

FIG. 3 is a bottom plan view thereof;

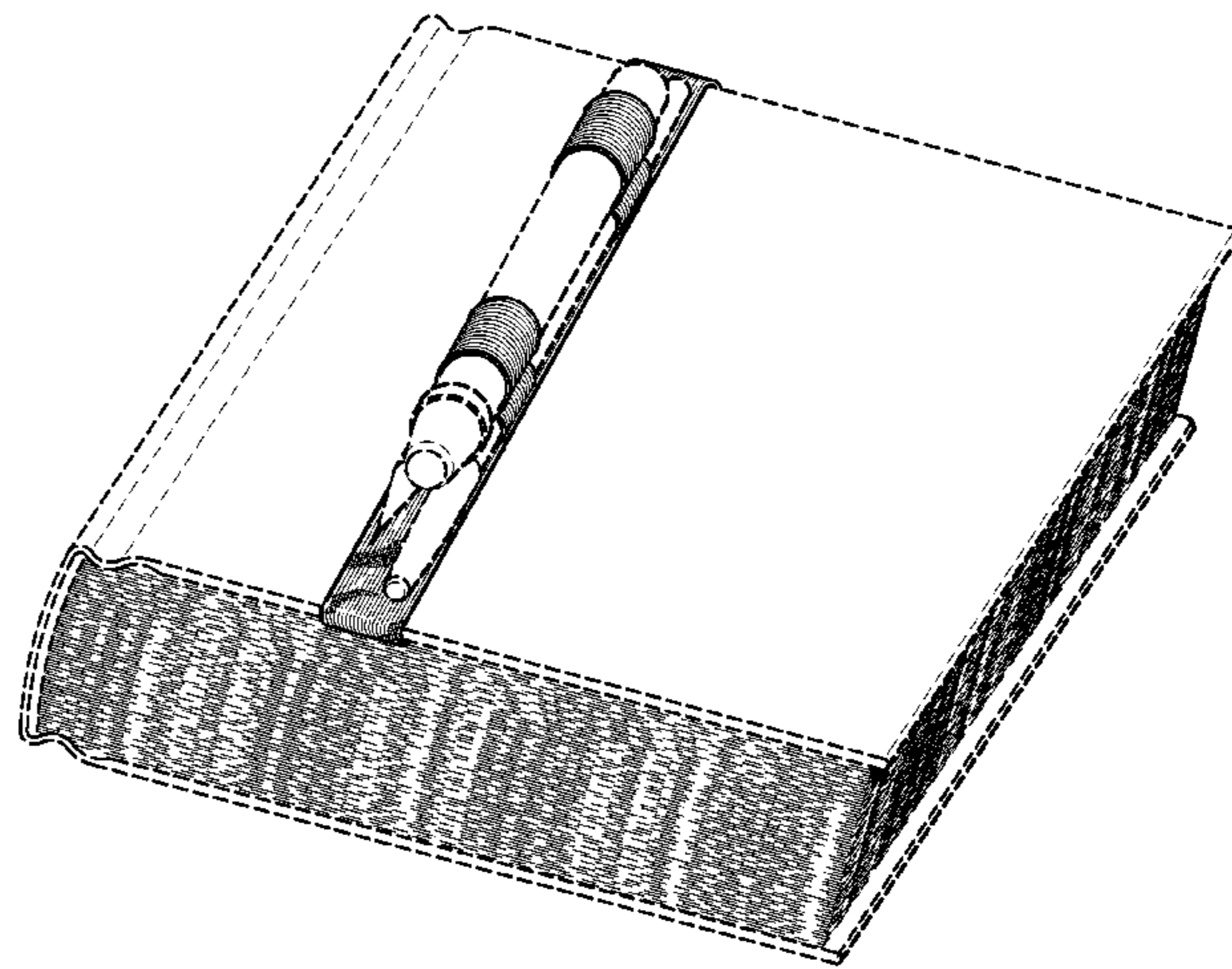
FIG. 4 is a right side elevational view thereof;

FIG. 5 is a left side elevational view thereof; and,

FIG. 6 is a perspective view of the FIG. 1 bookmark in use on a book and holding various writing implements.

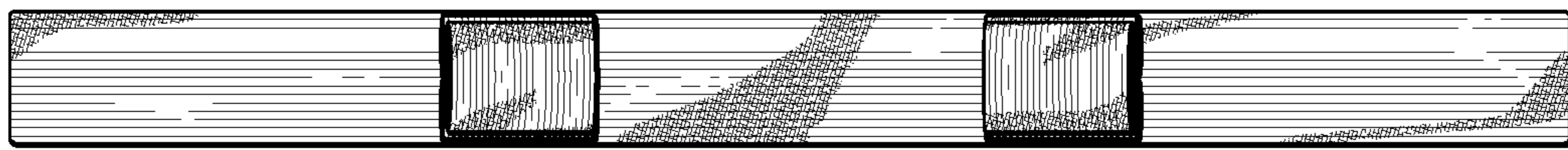
The broken line elements shown in FIG. 6 are illustrating environment only and form no part of the claimed design.

**1 Claim, 2 Drawing Sheets**

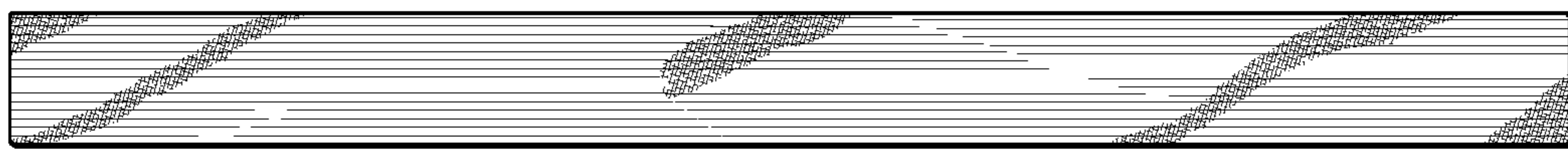




**Fig. 1**



**Fig. 2**



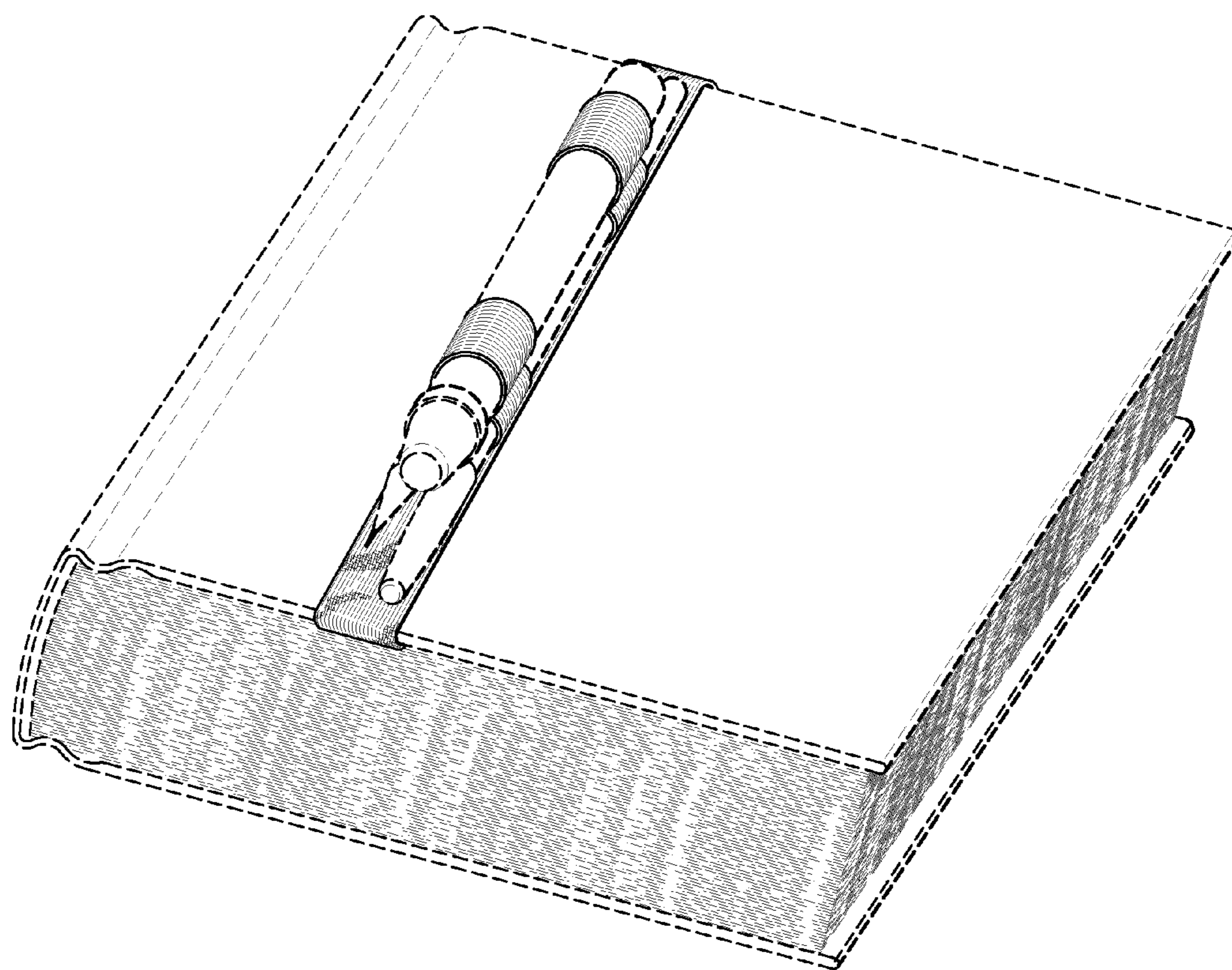
**Fig. 3**



**Fig. 4**



**Fig. 5**



**Fig. 6**